



US00D364615S

United States Patent [19] Radel

[11] **Patent Number: Des. 364,615**
[45] **Date of Patent: *** Nov. 28, 1995**

[54] **MOUNT FOR OVERHEAD TRANSPARENCY**

D. 267,181 12/1982 Jost D14/123
D. 287,858 1/1987 Gautestad D14/123
3,242,605 3/1966 Kleinschmidt D14/123 X

[75] Inventor: **Robert J. Radel**, Florence, Ala.

[73] Assignee: **Tennessee Valley Authority**, Muscle Shoals, Ala.

Primary Examiner—Dominic Simone
Attorney, Agent, or Firm—Robert A. Petrussek

[*] Notice: The portion of the term of this patent subsequent to May 23, 2009, has been disclaimed.

[**] Term: **14 Years**

[57] **CLAIM**

The ornamental design for a mount for overhead transparency, as shown and described.

[21] Appl. No.: **9,466**

[22] Filed: **Jun. 14, 1993**

[52] U.S. Cl. **D14/123**

[58] Field of Search D14/123; 40/152, 40/158.1, 159.2

DESCRIPTION

FIG. 1 is a front elevational view of a mount for overhead transparency showing my new design, the rear being a mirror image thereof;

FIG. 2 is a right side elevational view thereof; and,

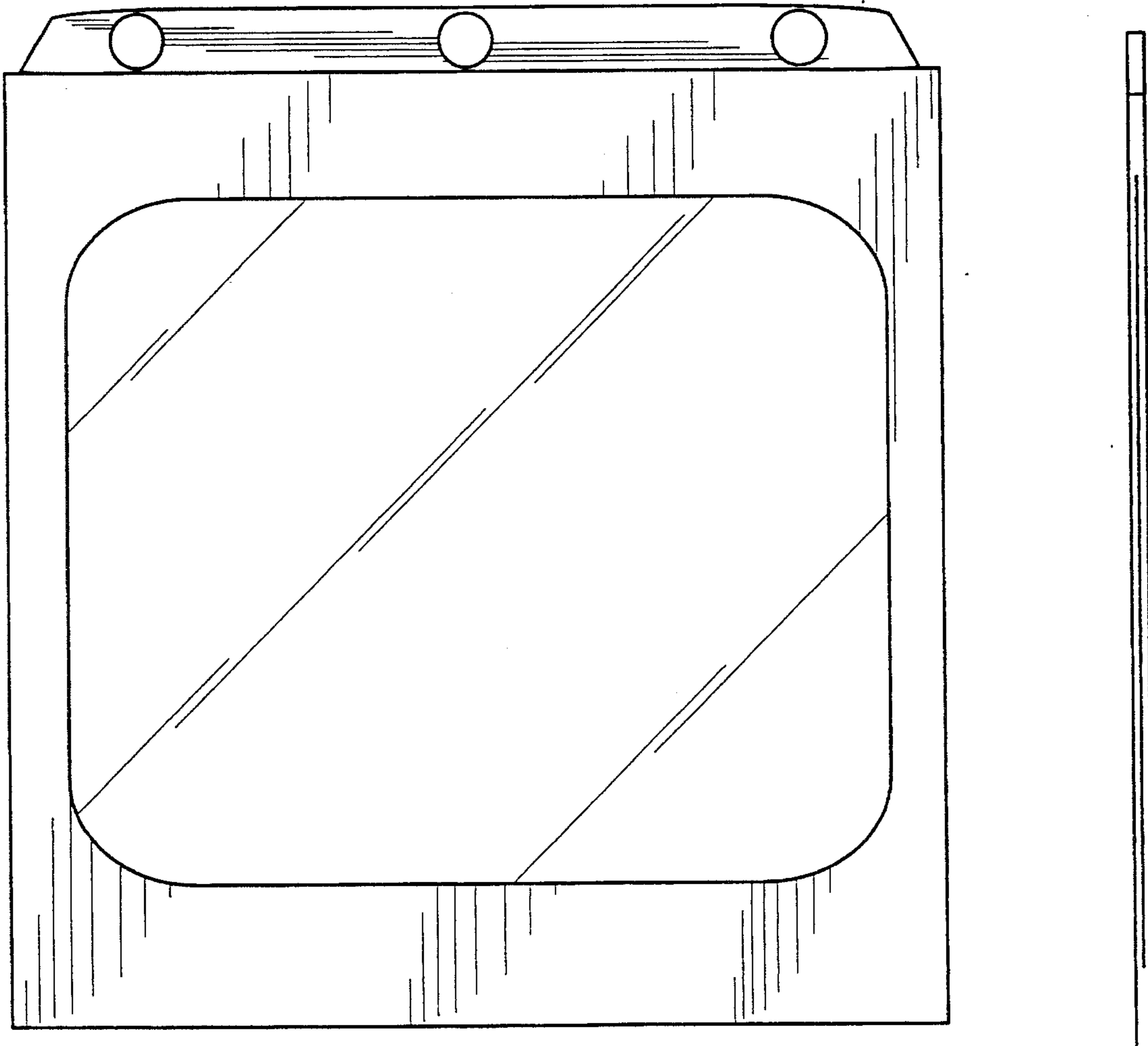
FIG. 3 is a left side elevational view thereof.

[56] **References Cited**

U.S. PATENT DOCUMENTS

D. 163,965 7/1951 Reddig et al. D14/123

1 Claim, 1 Drawing Sheet



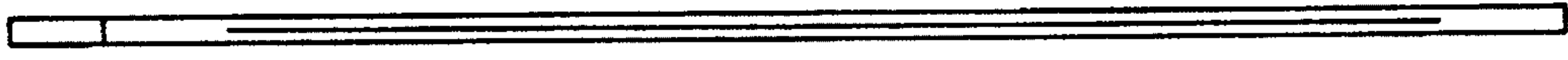


FIG. 2

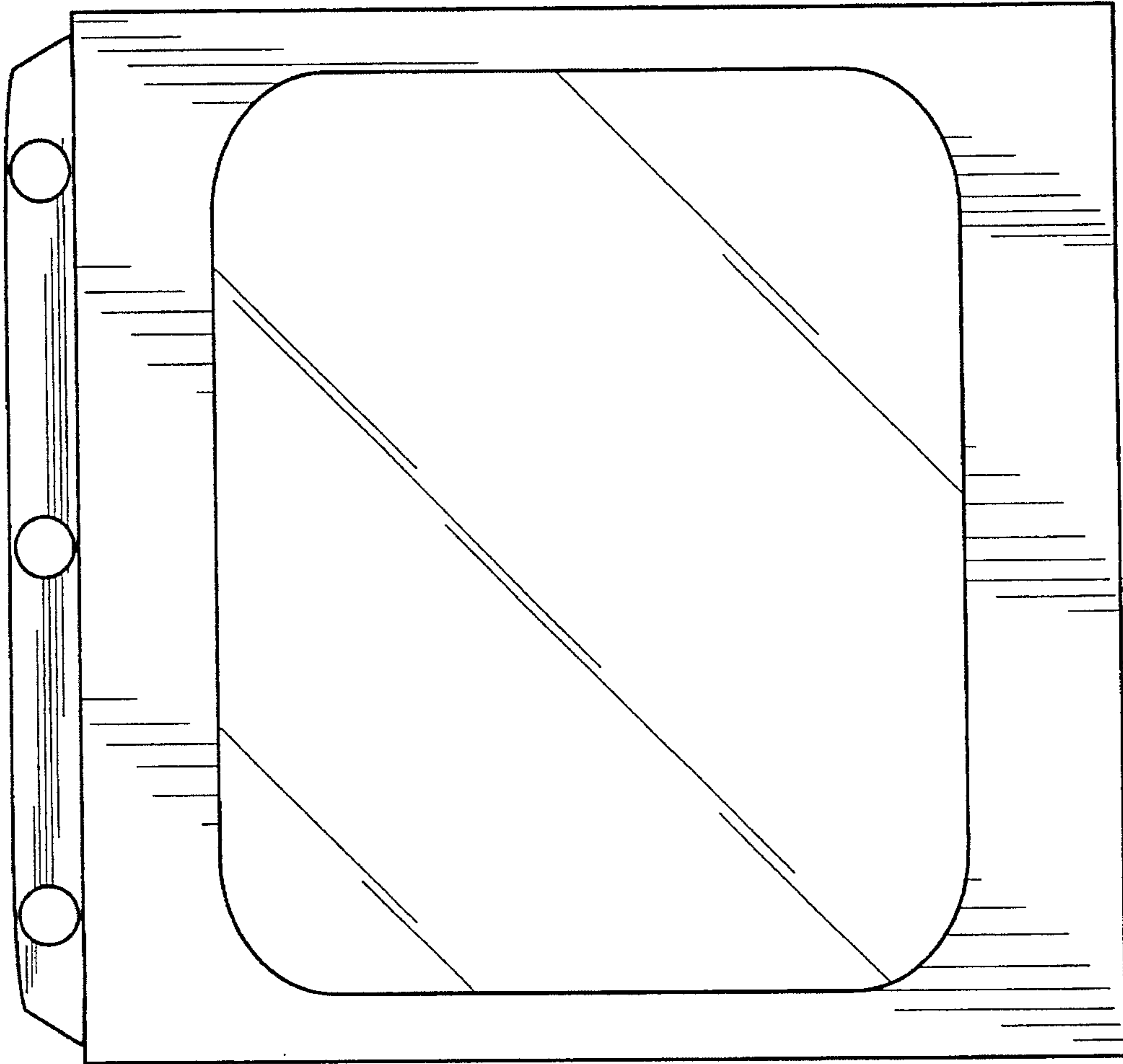


FIG. 1

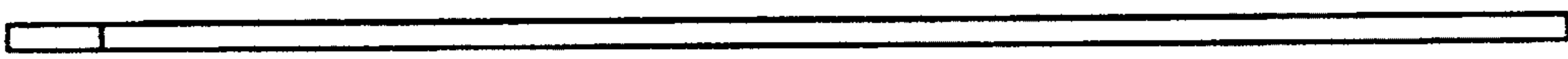


FIG. 3