



US00D364614S

United States Patent [19]

[11] Patent Number: **Des. 364,614**

Bailey et al.

[45] Date of Patent: ****Nov. 28, 1995**

[54] **VIDEOCASSETTE**

[75] Inventors: **John A. Bailey**, Woodbury; **Glenn A. Bloomer**, Maplewood; **Gregory H. Johnson**, Oakdale, all of Minn.; **Mark J. Ciesko**, Hilliard; **Donald J. Staufenberg**, Dublin, both of Ohio

4,748,529 5/1988 Shiba et al. 242/346
 4,754,357 6/1988 Nelson 360/132
 5,003,425 3/1991 Ozawa 242/347 X
 5,107,386 4/1992 Hashizume et al. 360/132
 5,375,024 12/1994 Kaneda et al. 360/132 X

[73] Assignee: **Minnesota Mining and Manufacturing Company**, St. Paul, Minn.

Primary Examiner—Ted Shooman
Assistant Examiner—Nanda Bondade
Attorney, Agent, or Firm—Gary L. Griswold; Walter N. Kim; Charles D. Levine

[**] Term: **14 Years**

[57] CLAIM

The ornamental design for a videocassette, as shown and described.

[21] Appl. No.: **20,909**

DESCRIPTION

[22] Filed: **Apr. 5, 1994**

[52] U.S. Cl. **D14/121**

[58] **Field of Search** D14/120-123,
 D14/299; 206/381.1, 381.12-381.15; 242/342-346,
 345.1-345.3, 346.2; 360/132

FIG. 1 is a perspective view of a videocassette showing our new design;
 FIG. 2 is a front view thereof;
 FIG. 3 is a rear view thereof;
 FIG. 4 is a top view thereof;
 FIG. 5 is a bottom view thereof;
 FIG. 6 is a right side view thereof; and,
 FIG. 7 is a left side view thereof.

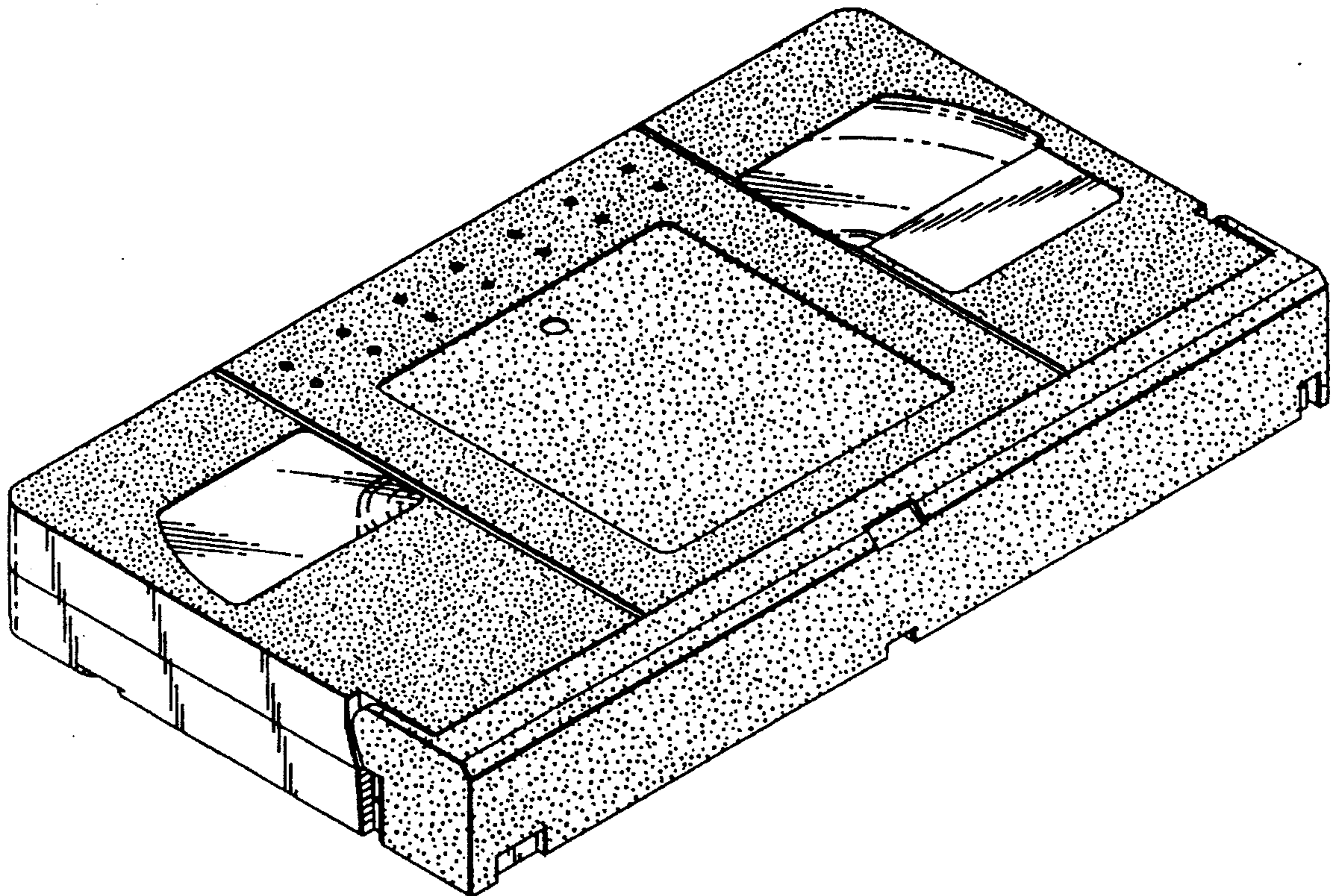
The broken line showing of the tape reel is for illustrative purposes only and forms no part of the claimed design.

[56] References Cited

U.S. PATENT DOCUMENTS

D. 348,455 7/1994 Yip D14/121
 4,501,396 2/1985 Tomsyck et al. 242/199
 4,740,857 4/1988 Ogawa 242/347 X

1 Claim, 3 Drawing Sheets



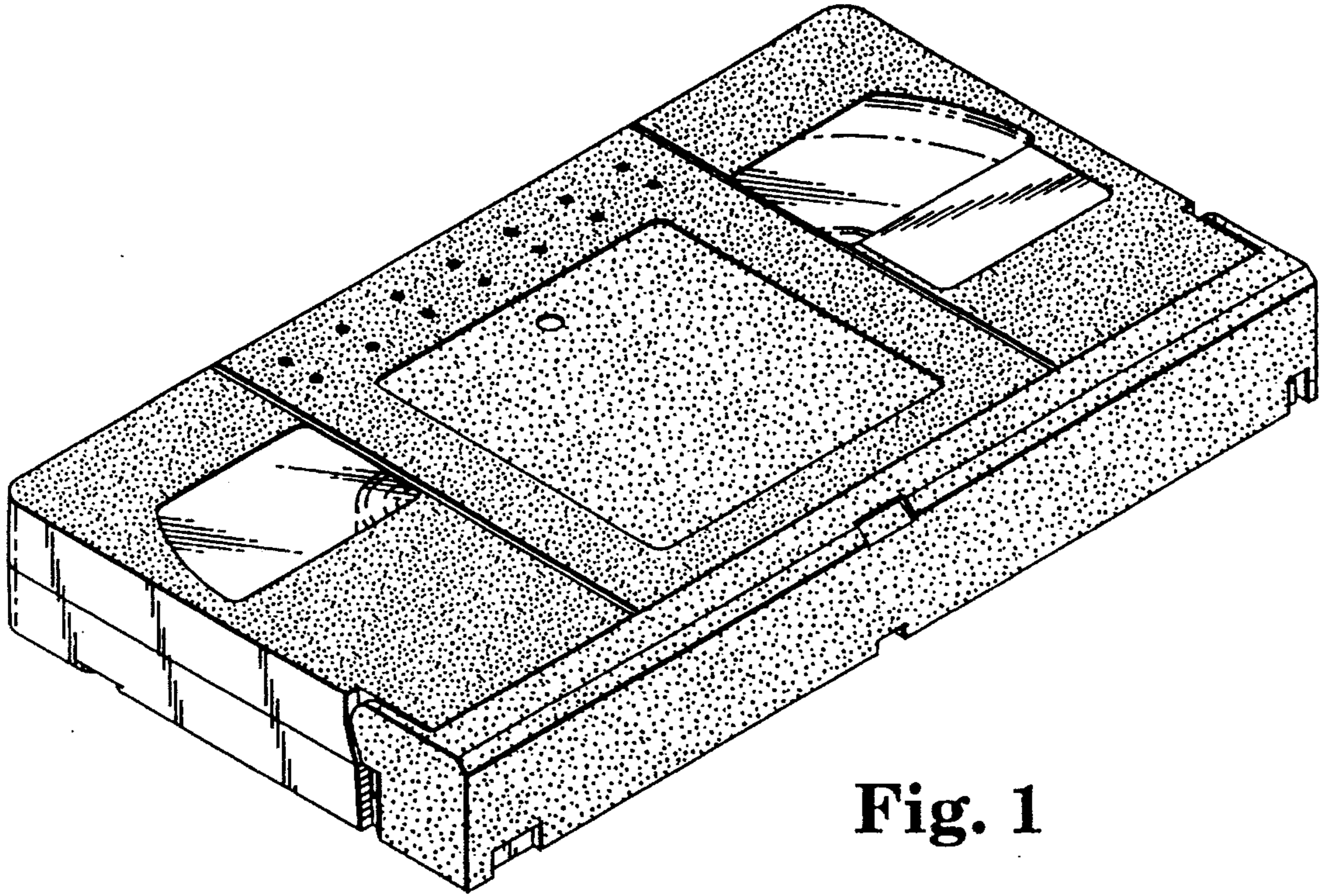


Fig. 1

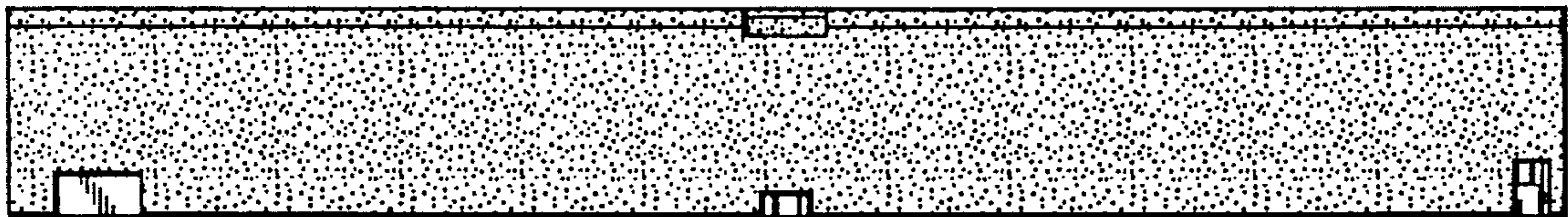


Fig. 2

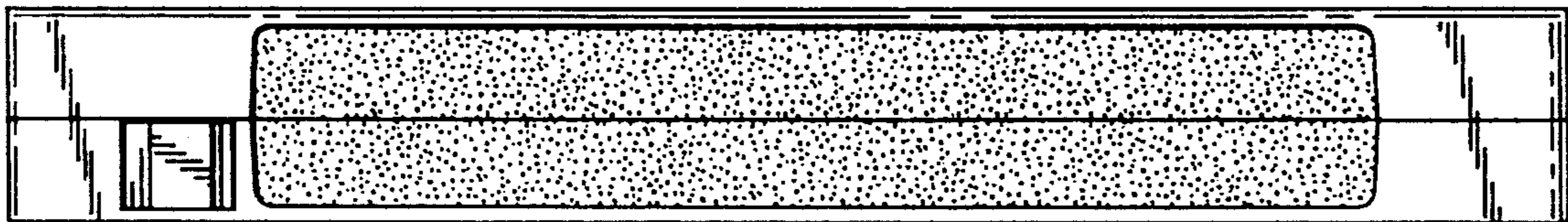


Fig. 3

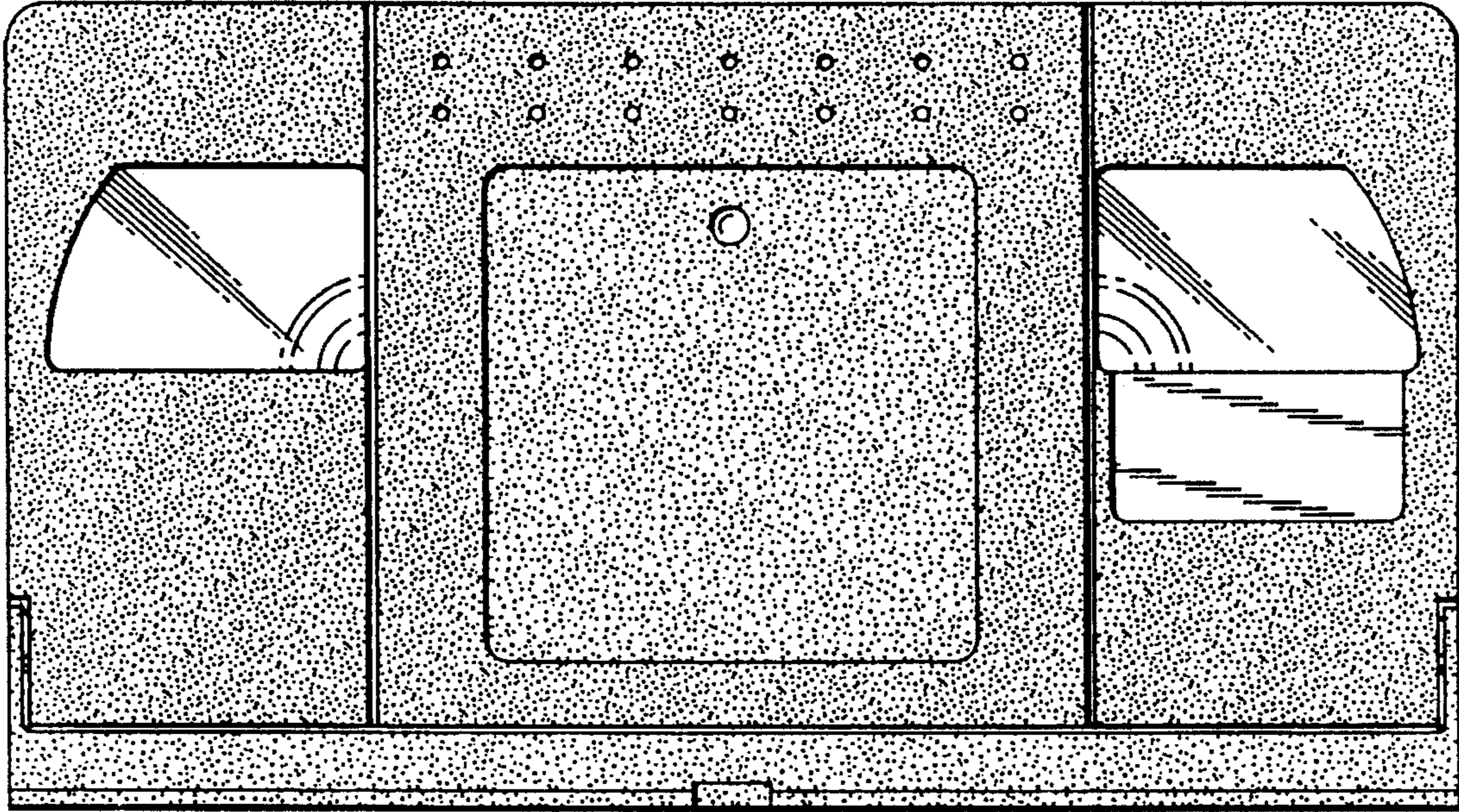


Fig. 4

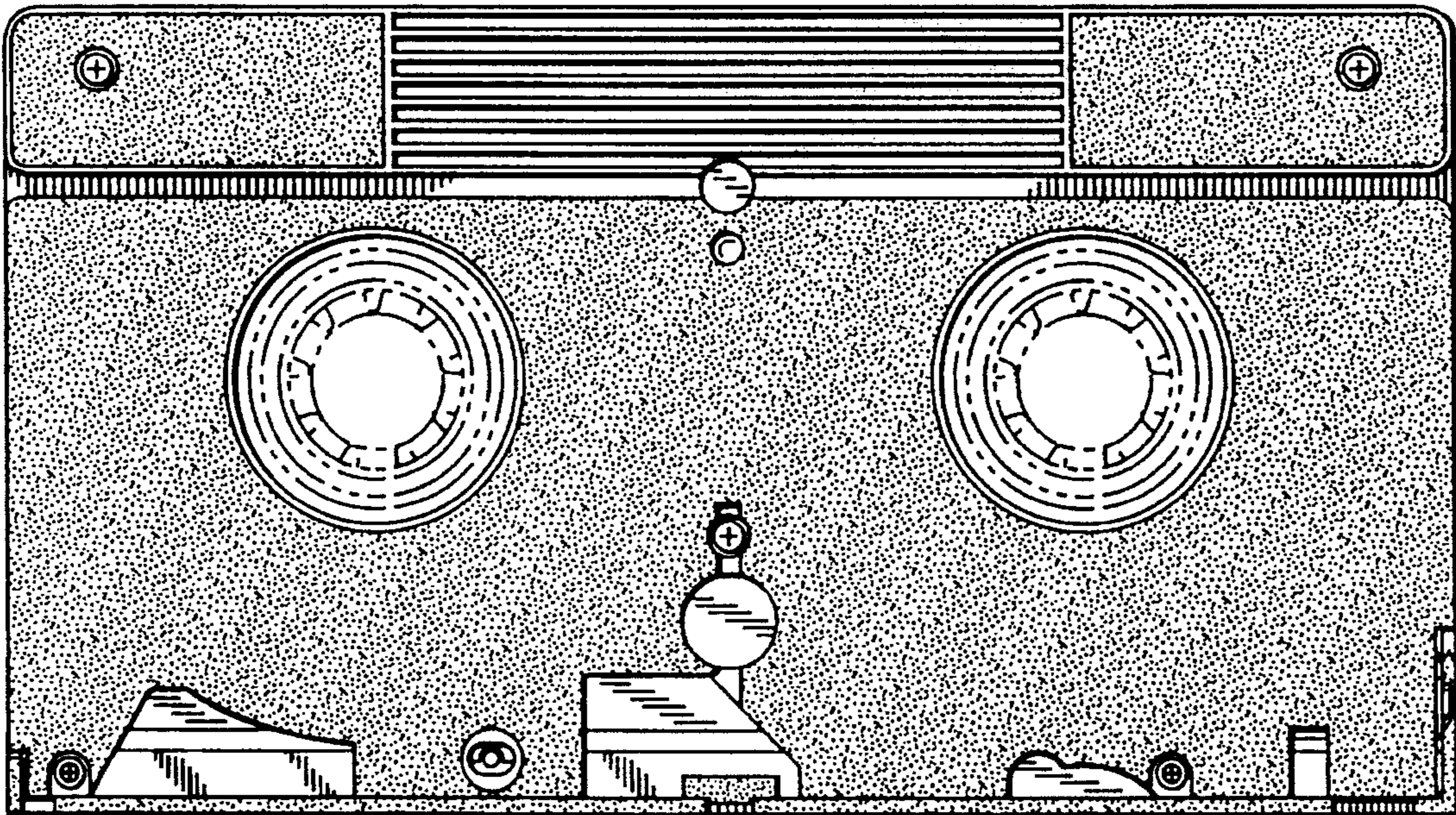


Fig. 5

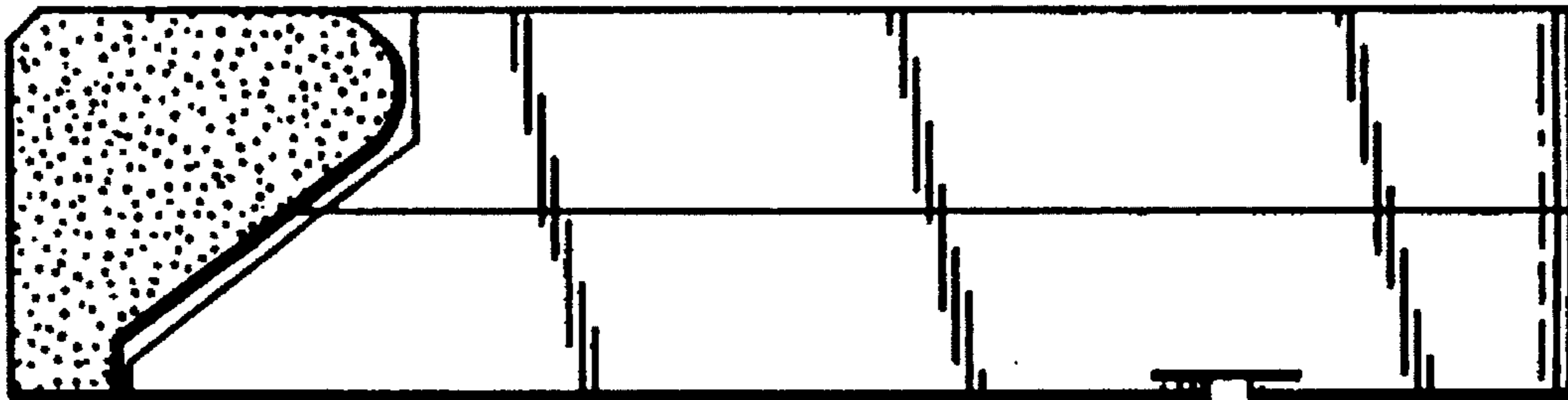


Fig. 6

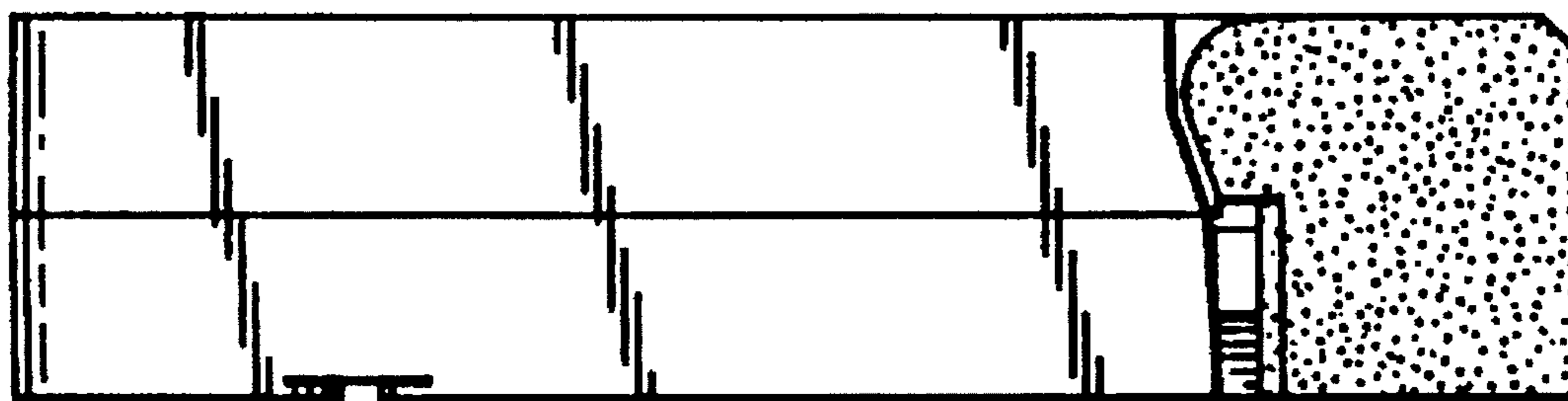


Fig. 7