



US00D364608S

United States Patent [19]

Nakada

[11] **Patent Number: Des. 364,608**

[45] **Date of Patent: **Nov. 28, 1995**

[54] **CRT DISPLAY**

[75] Inventor: **Kazuo Nakada**, Kanagawa, Japan

[73] Assignee: **International Business Machines Corporation**, Armonk, N.Y.

[**] Term: **14 Years**

[21] Appl. No.: **26,970**

[22] Filed: **Aug. 10, 1994**

[30] **Foreign Application Priority Data**

Feb. 21, 1994 [JP] Japan 6-4156

[52] **U.S. Cl.** **D14/113**

[58] **Field of Search** D14/100, 101,
D14/106, 113, 124-127, 129; 248/917-924;
345/104, 133, 156, 168, 173, 87, 901-905;
358/249, 254, 255

[56] **References Cited**

U.S. PATENT DOCUMENTS

D. 355,413 2/1995 Masunari D14/113

Primary Examiner—Freda Nunn

Attorney, Agent, or Firm—M. J. McKinley; A. J. Dillon

[57] **CLAIM**

The ornamental design for a CRT display, as shown and described.

DESCRIPTION

FIG. 1 is an enlarged perspective view of a CRT display showing my new design;

FIG. 2 is a front elevational view thereof;

FIG. 3 is a rear elevational view thereof;

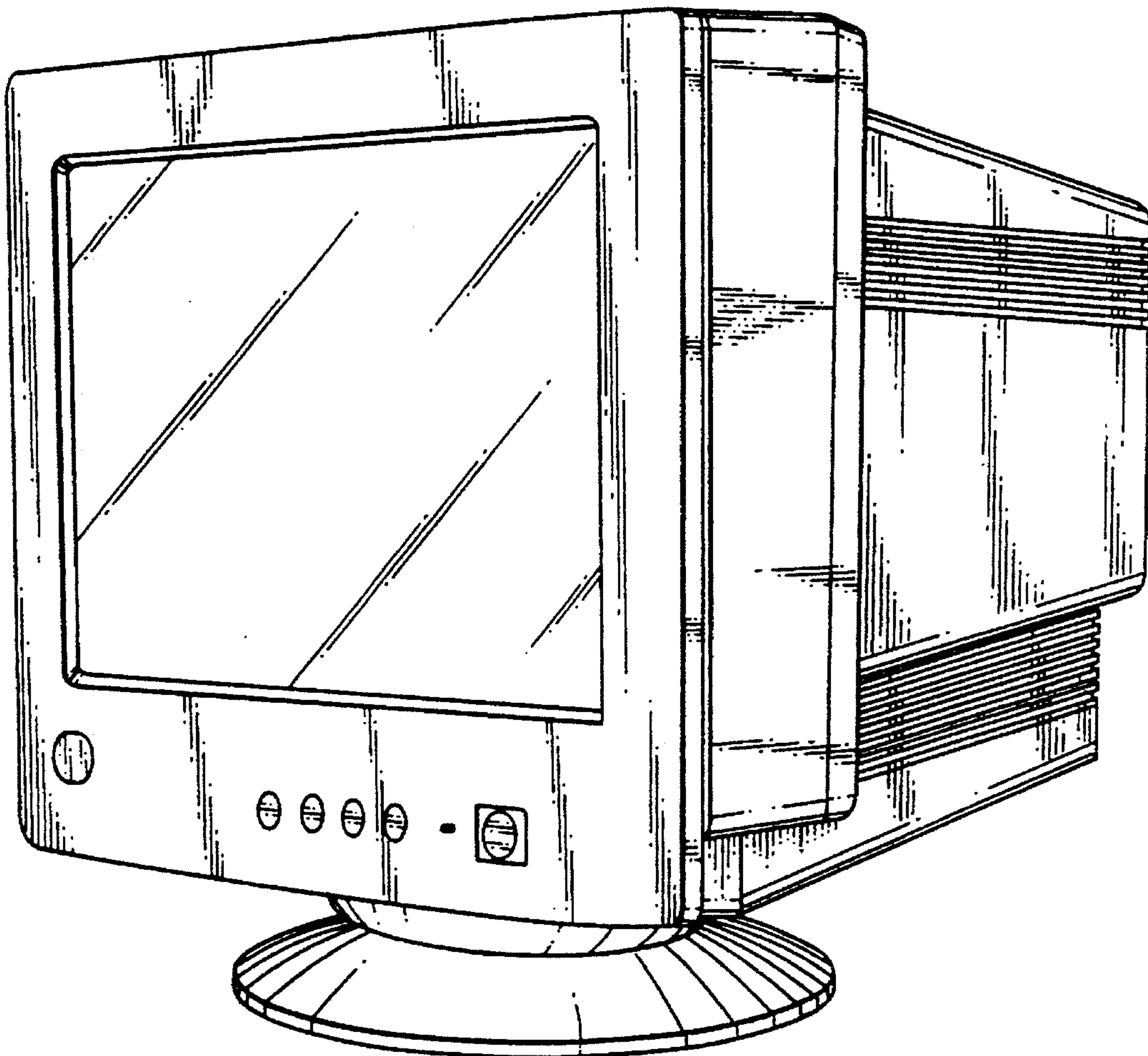
FIG. 4 is a top plan view thereof;

FIG. 5 is a bottom plan view thereof;

FIG. 6 is a left side elevational view thereof; and,

FIG. 7 is a right side elevational view thereof.

1 Claim, 4 Drawing Sheets



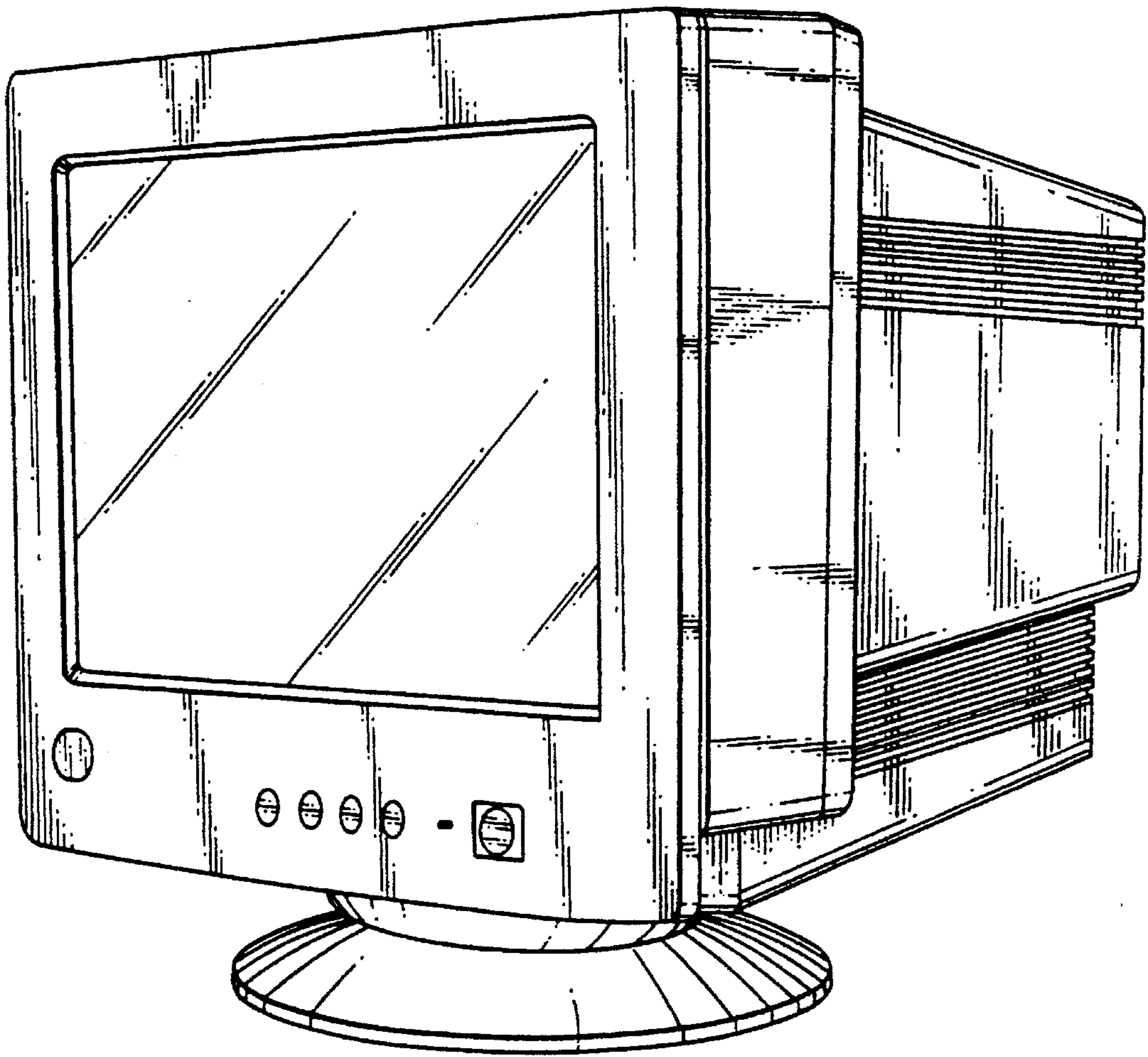


FIG. 1

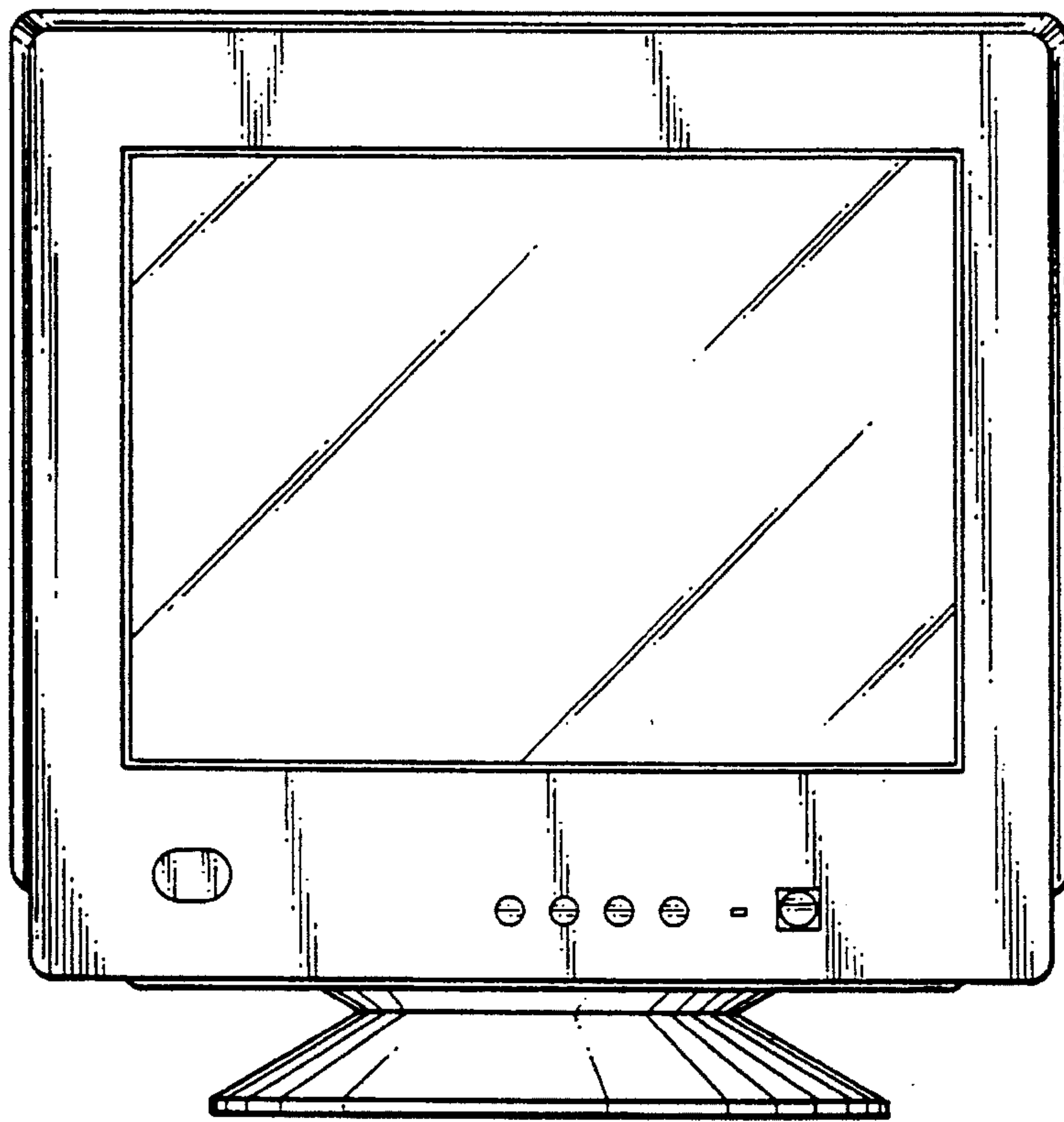


FIG. 2

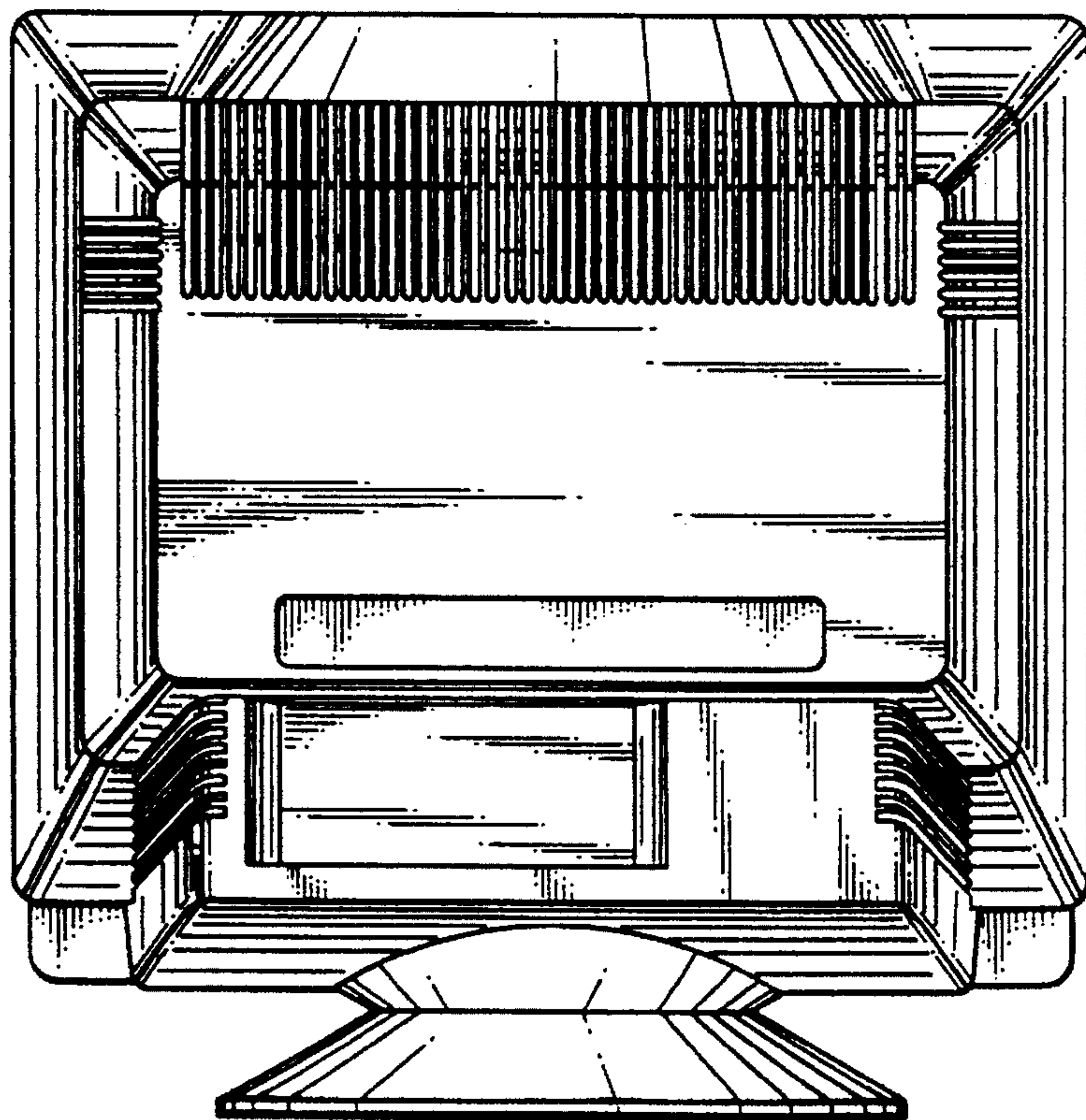


FIG. 3

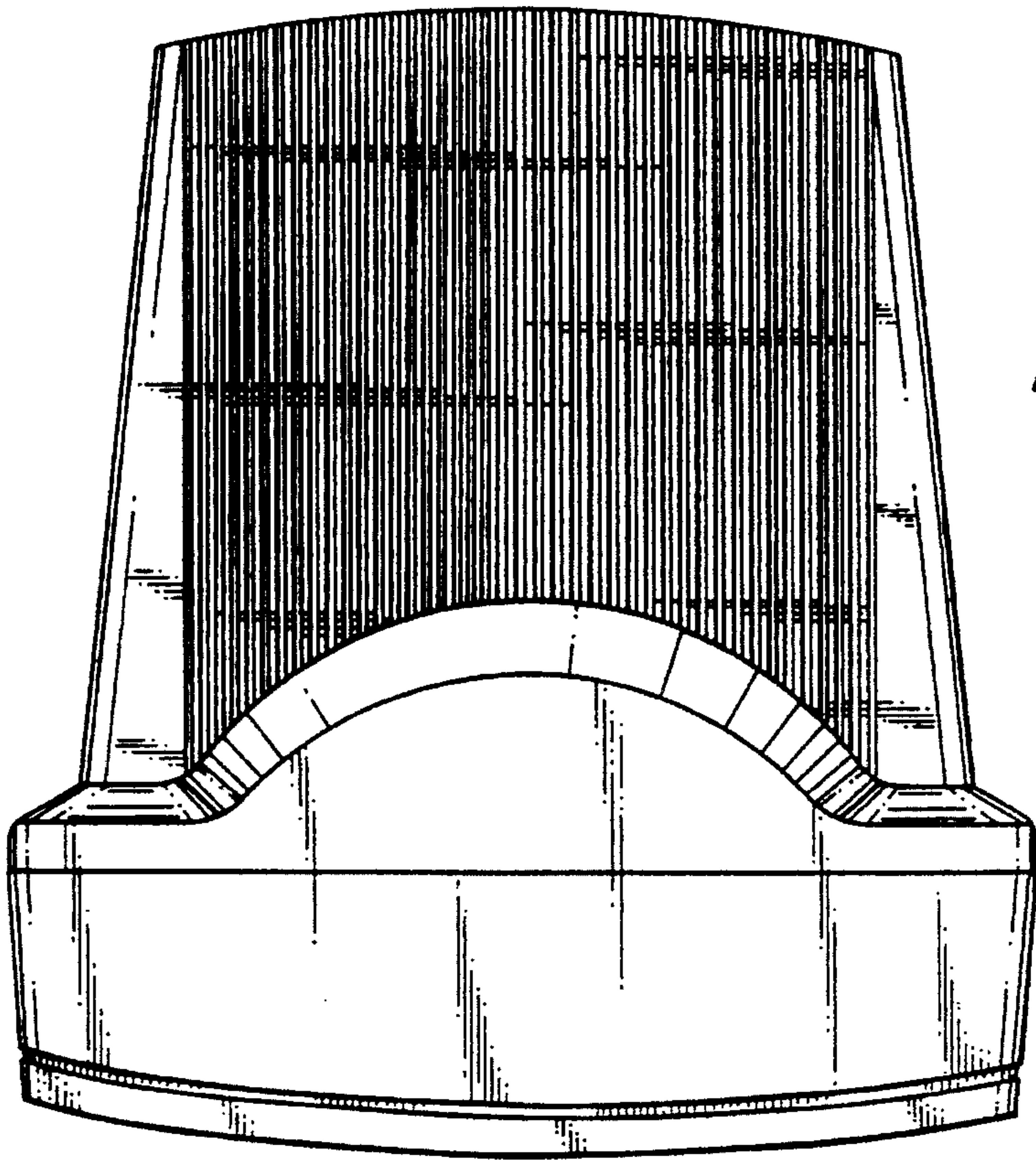


FIG. 4

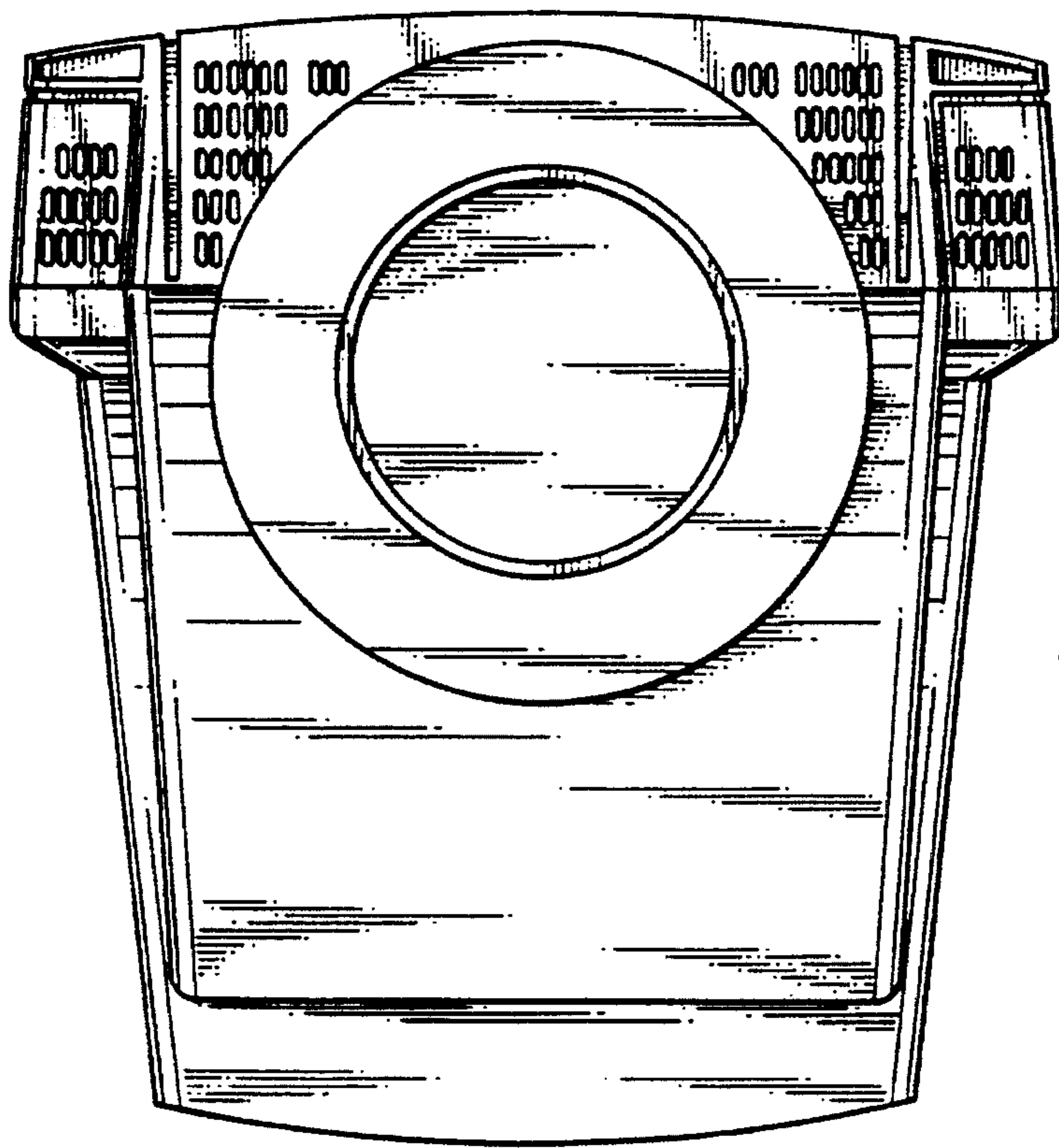


FIG. 5

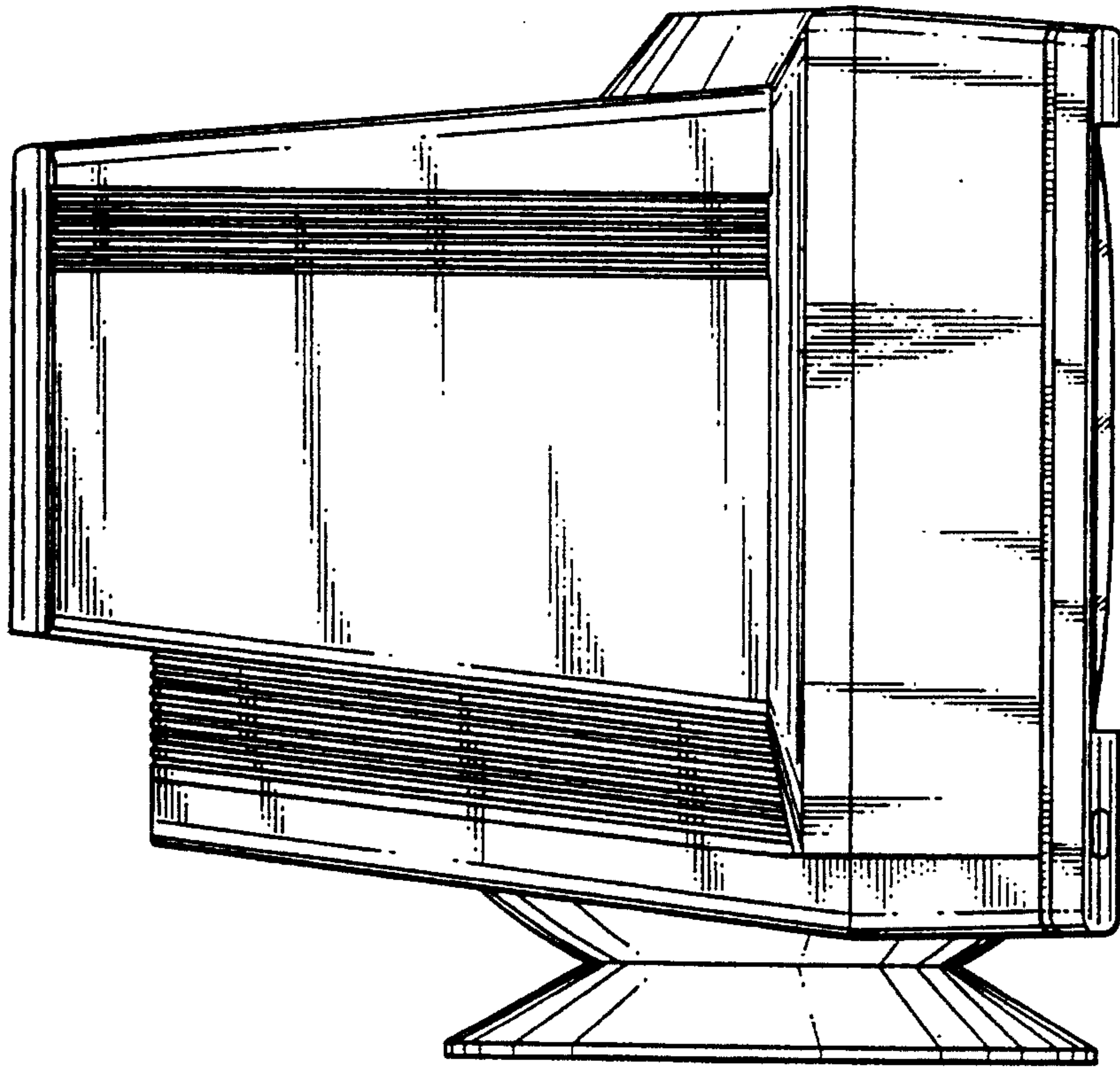


FIG. 6

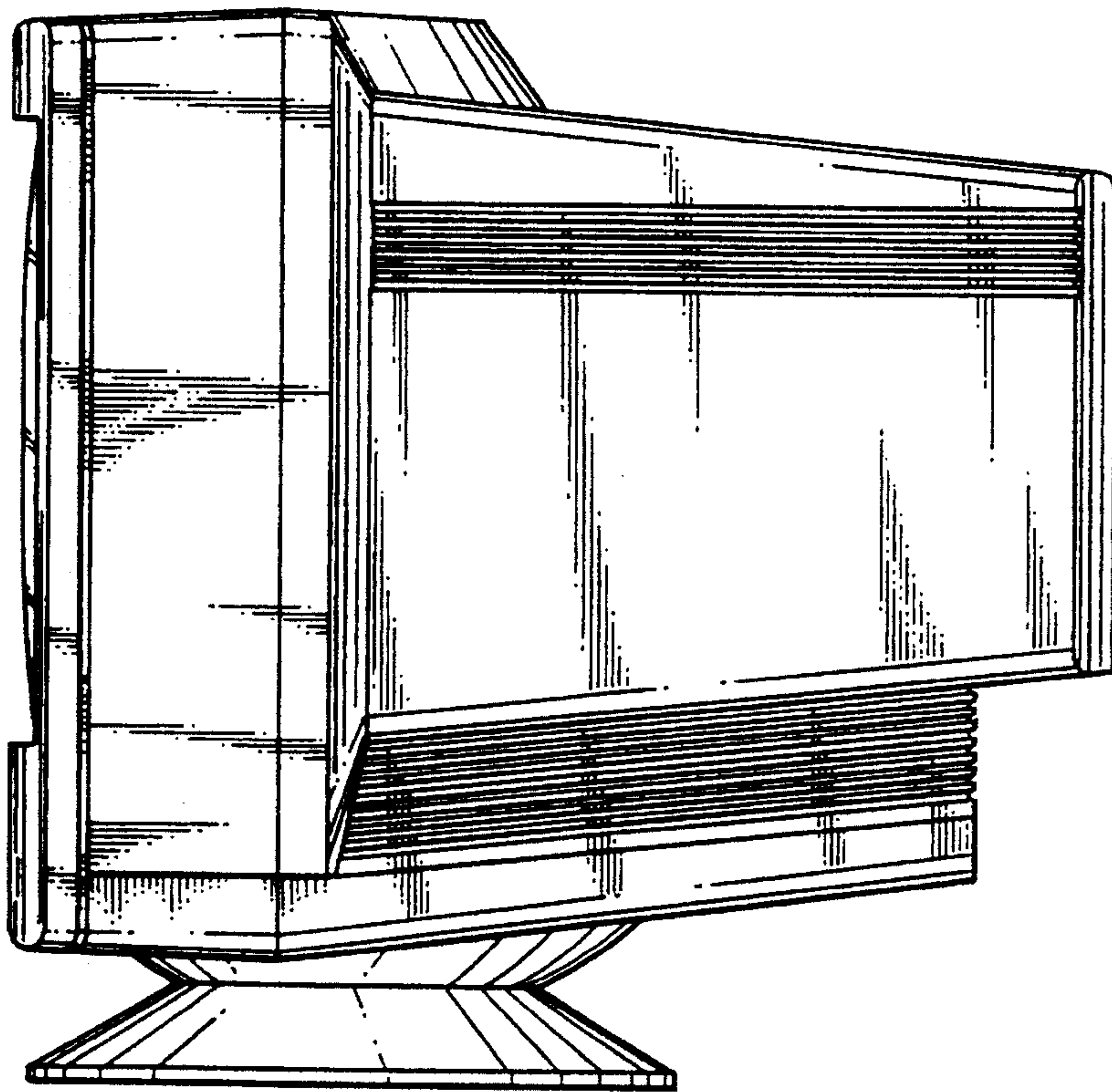


FIG. 7