



US00D364607S

United States Patent [19]

[11] Patent Number: **Des. 364,607**

Backs

[45] Date of Patent: ****Nov. 28, 1995**

[54] **MONITOR FOR COMPUTERS**

[75] Inventor: **Jochen Backs**, San Francisco, Calif.

[73] Assignee: **Samsung Electronics Co. Ltd.**,
Kung-Do, Rep. of Korea

[**] Term: **14 Years**

D. 328,066 7/1992 Couch D14/113
 D. 330,017 10/1992 Falkner et al. D14/113
 D. 332,784 1/1993 Wiseman et al. D14/113
 D. 346,371 4/1994 Oh et al. D14/113
 D. 355,413 2/1995 Masunari D14/113

Primary Examiner—Freda Nunn
Attorney, Agent, or Firm—Helfgott & Karas

[21] Appl. No.: **25,631**

[22] Filed: **Jul. 7, 1994**

[57] CLAIM

The ornamental design for monitor for computers, as shown and described.

[30] **Foreign Application Priority Data**

Jan. 7, 1994 [KR] Rep. of Korea 1994-235

[52] U.S. Cl. **D14/113**

[58] **Field of Search** D14/100, 101,
D14/106, 113, 124-127, 129; 345/104,
133, 156, 168, 173, 87, 901-905; 358/249,
254, 255; 248/917-924

DESCRIPTION

FIG. 1 is a perspective view of the monitor for computers;
 FIG. 2 is a front view of the monitor for computers;
 FIG. 3 is a back side view of the monitor for computers;
 FIG. 4 is a top view of the monitor for computers;
 FIG. 5 is a bottom view of the monitor for computers;
 FIG. 6 is a left side view of the monitor for computers; and,
 FIG. 7 is a right side view of the monitor for computers.

[56] References Cited

U.S. PATENT DOCUMENTS

D. 313,406 1/1991 Kao D14/113

1 Claim, 4 Drawing Sheets

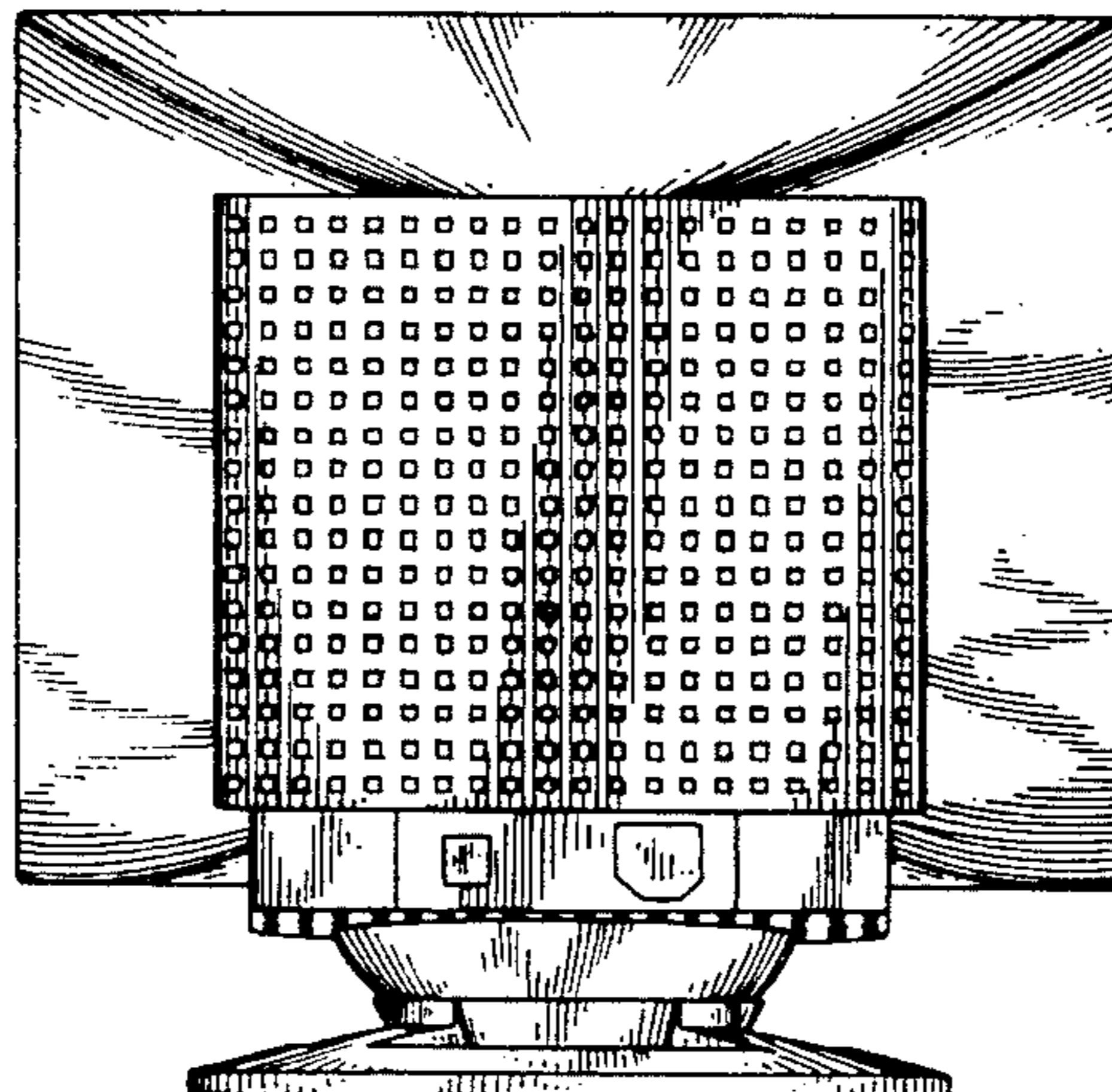
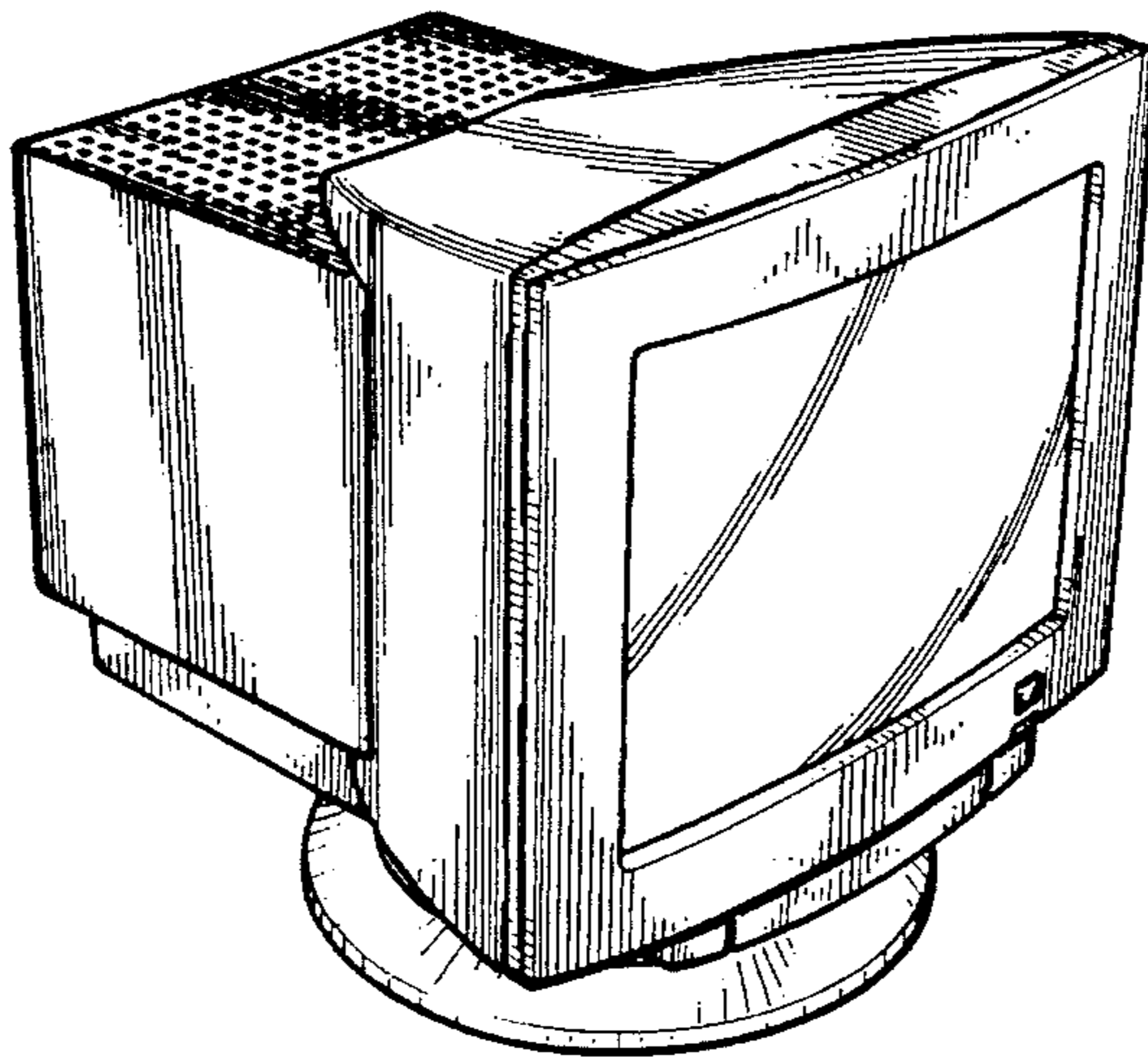


FIG. 1

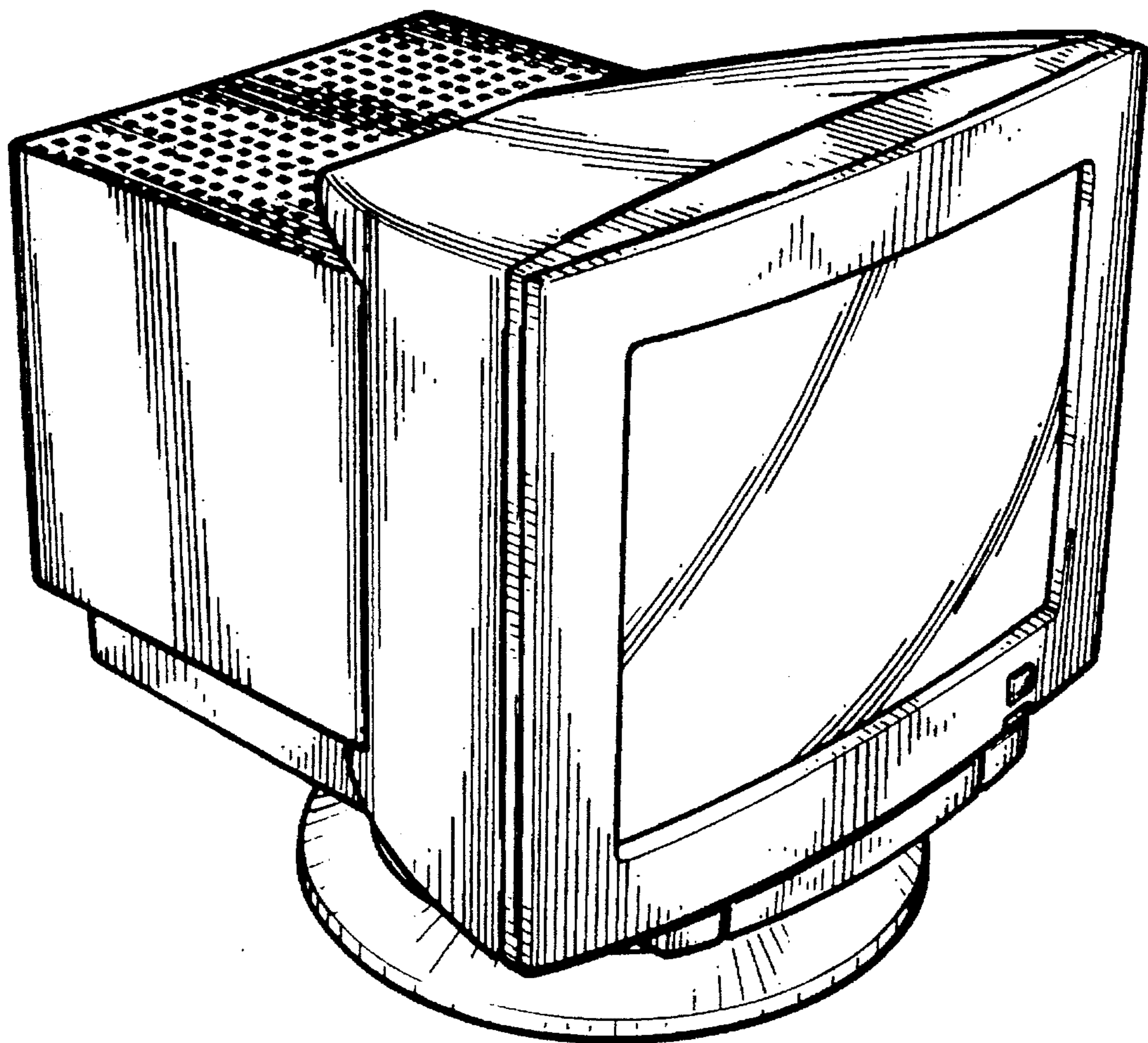


FIG. 2

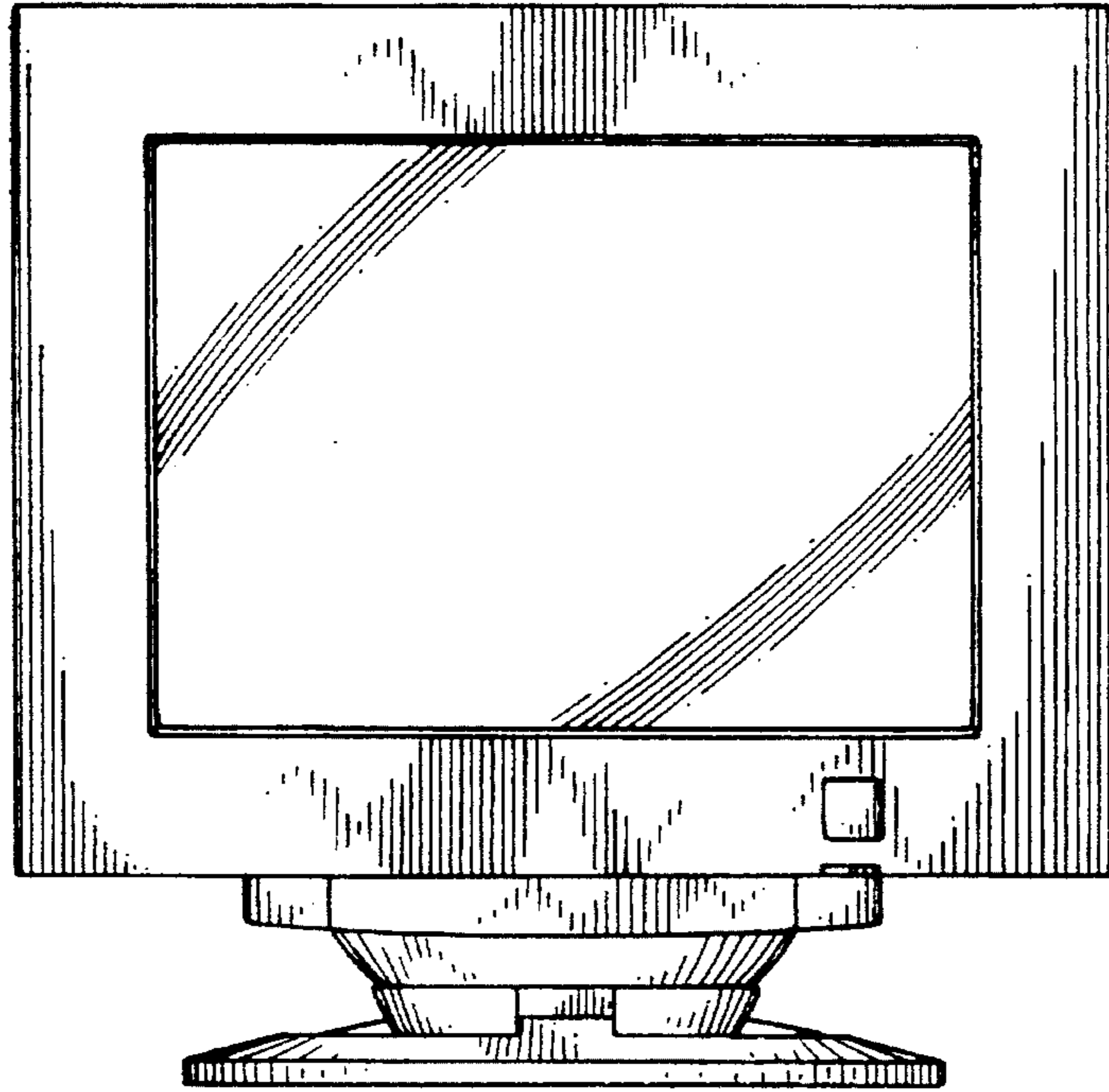


FIG. 3

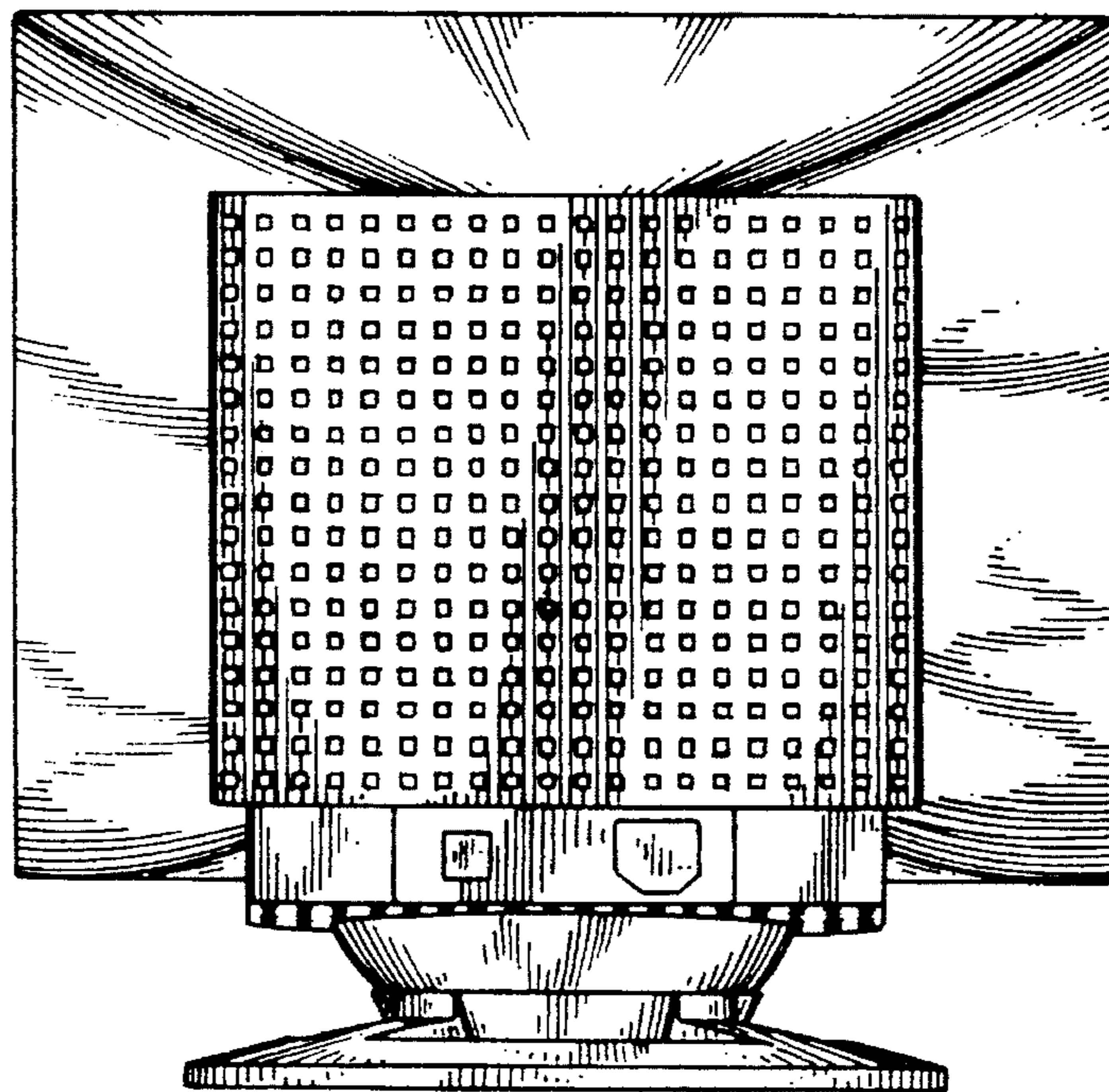


FIG. 4

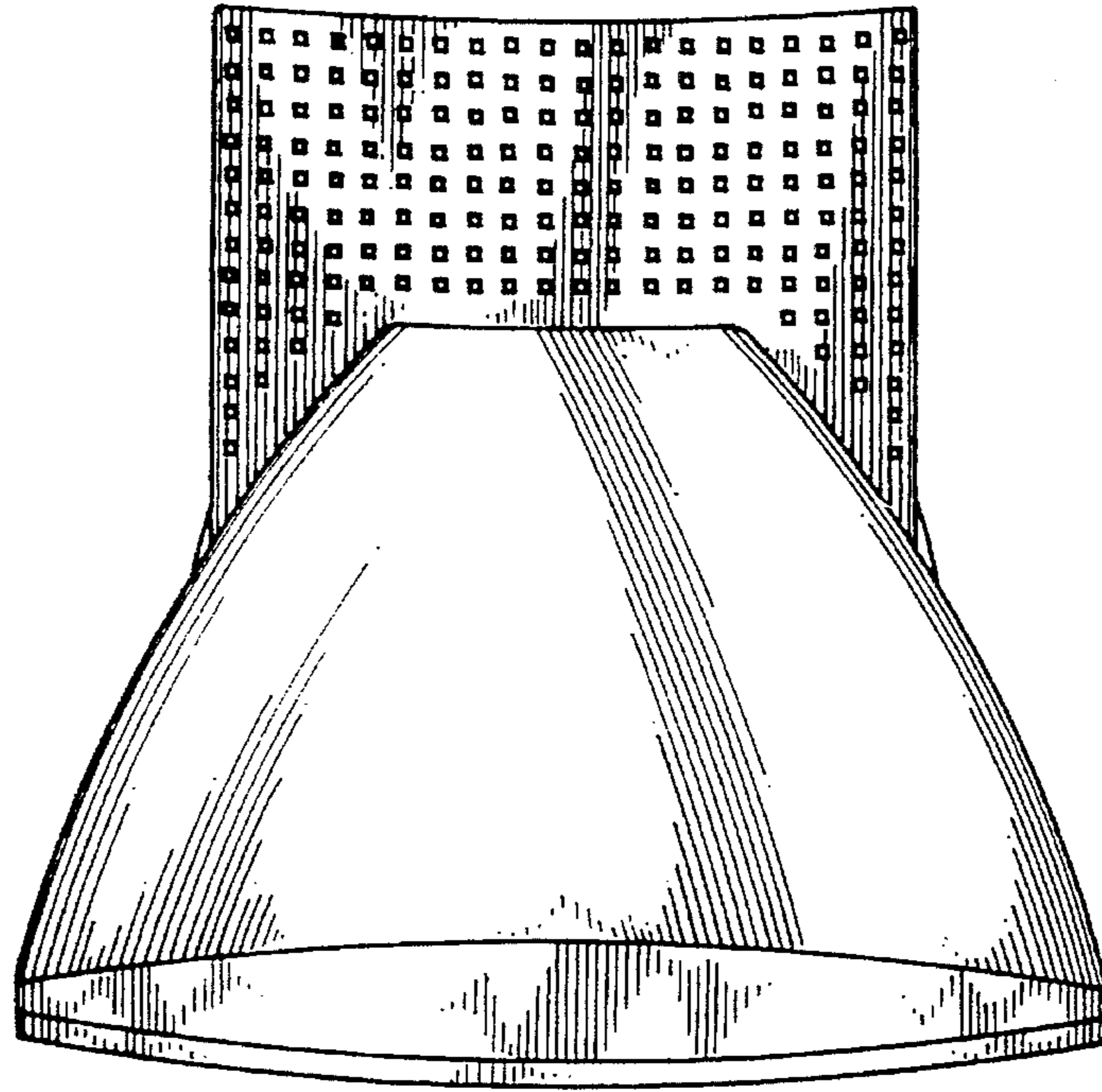


FIG. 5

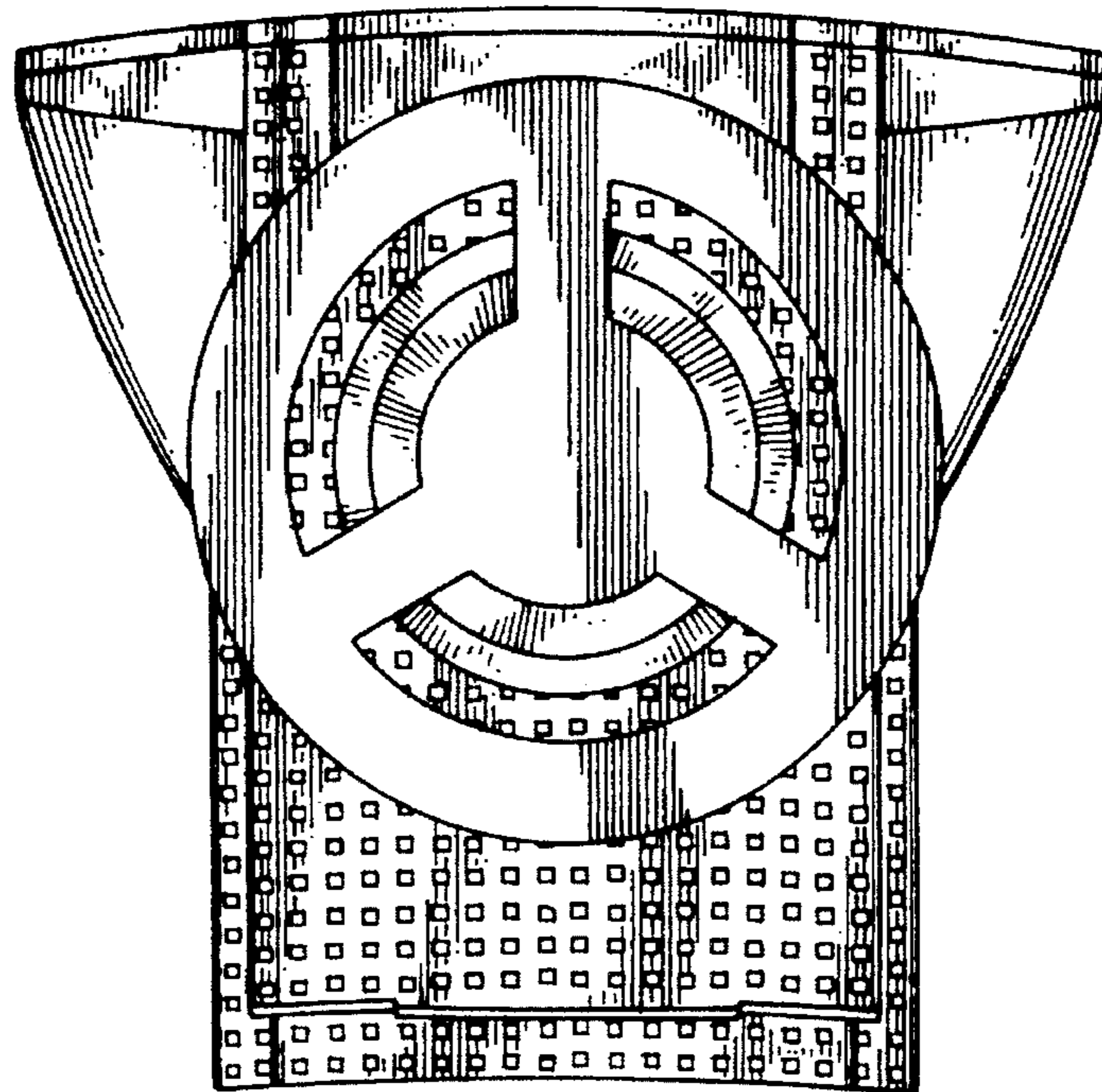


FIG. 6

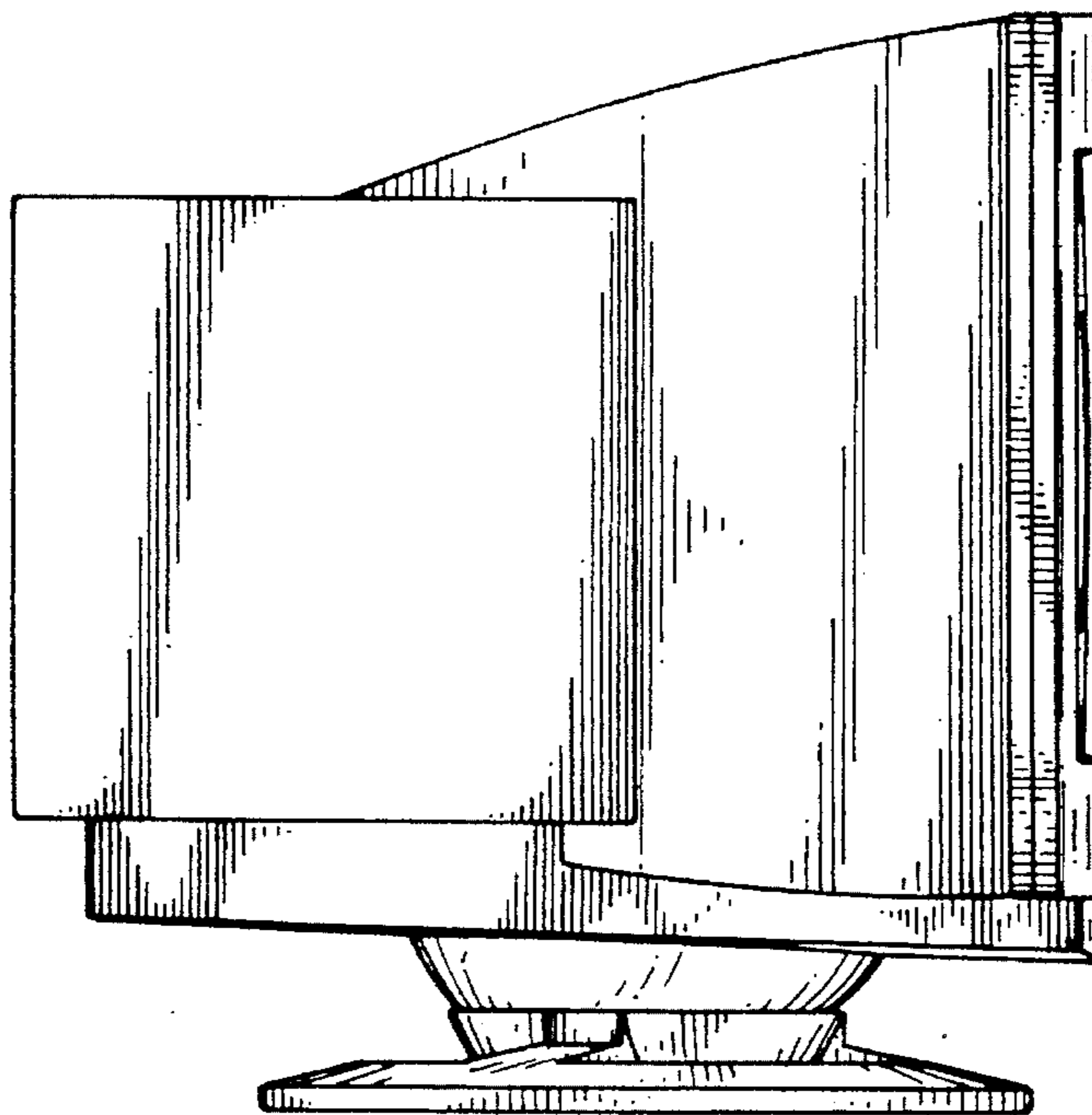


FIG. 7

