



US00D364606S

United States Patent [19] Bliven

[11] Patent Number: **Des. 364,606**

[45] Date of Patent: ****Nov. 28, 1995**

[54] **PORTABLE COMPUTER**

D. 343,832 2/1994 Haraga et al. D14/106
D. 355,171 2/1995 Derocher D14/106

[75] Inventor: **Robert P. Bliven**, Corvallis, Oreg.

Primary Examiner—Freda Nunn
Attorney, Agent, or Firm—Curtis G. Rose

[73] Assignee: **Hewlett-Packard Corporation**, Palo Alto, Calif.

[57] **CLAIM**

[**] Term: **14 Years**

The ornamental design for a portable computer, as shown and described.

[21] Appl. No.: **30,633**

[22] Filed: **Nov. 4, 1994**

[52] U.S. Cl. **D14/106**

[58] **Field of Search** D14/100, 101, D14/106, 113, 115, 156, 124-127; D18/1, 7, 11, 12; 235/145 A, 145 R; 345/104, 156, 168, 173, 901-905, 87; 341/22, 23; 361/679-686; 364/708.1, 709.04, 709.12; 400/486, 489

DESCRIPTION

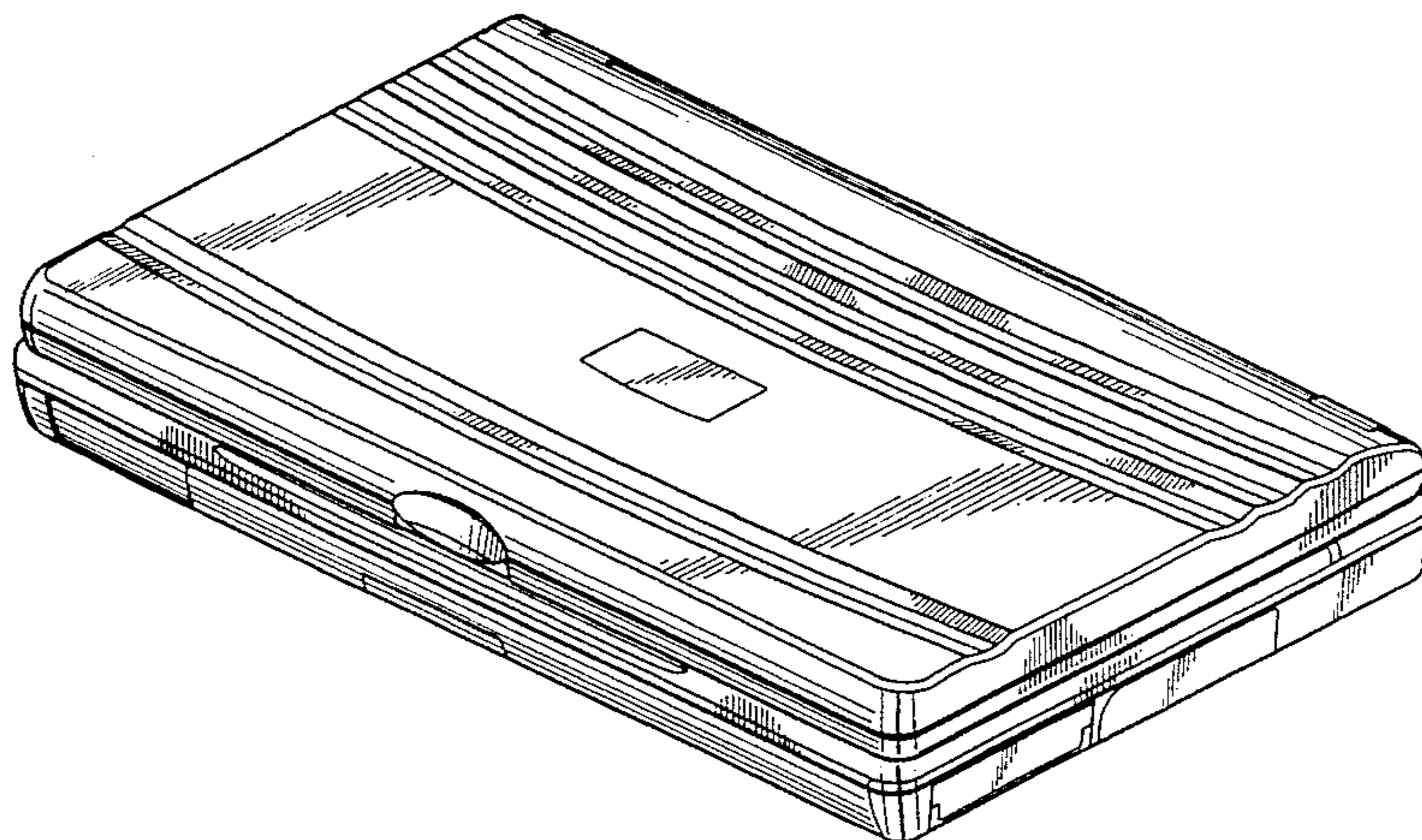
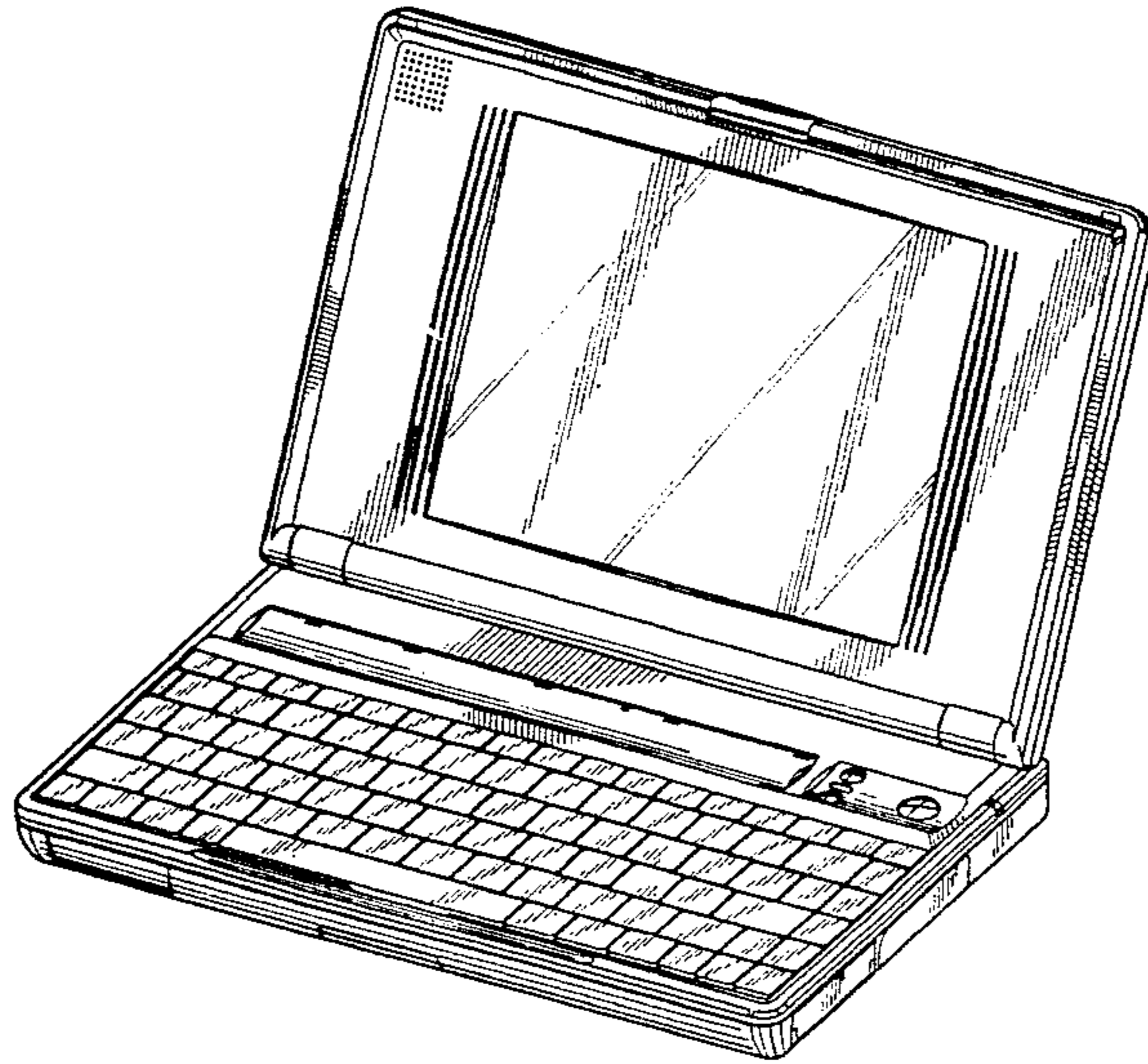
FIG. 1 is a perspective view of a portable computer showing my new design, where the top portion of the portable computer is in an open position;
FIG. 2 is a perspective view of the portable computer on an enlarged scale, where the top portion of the portable computer is in a closed position;
FIG. 3 is a top plan view thereof;
FIG. 4 is a bottom plan view thereof;
FIG. 5 is a front elevational view thereof;
FIG. 6 is a back elevational view thereof;
FIG. 7 is a right side elevational view thereof; and,
FIG. 8 is a left side elevational view thereof.

[56] **References Cited**

U.S. PATENT DOCUMENTS

D. 324,675 3/1992 Imamura D14/106
D. 333,129 2/1993 Derocher D14/106
D. 335,124 4/1993 Mizusugi et al. D14/106

1 Claim, 6 Drawing Sheets



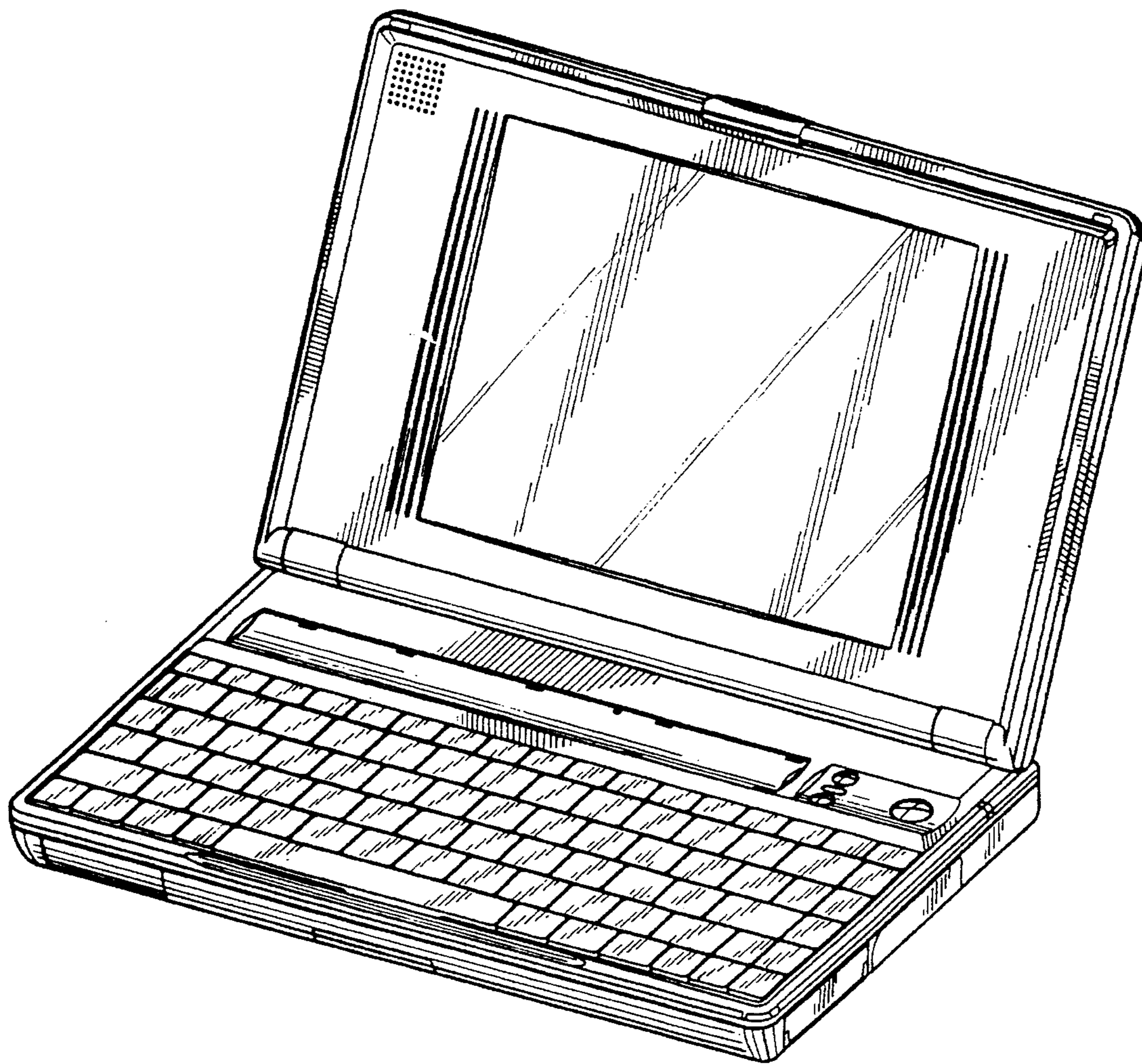


FIG. 1

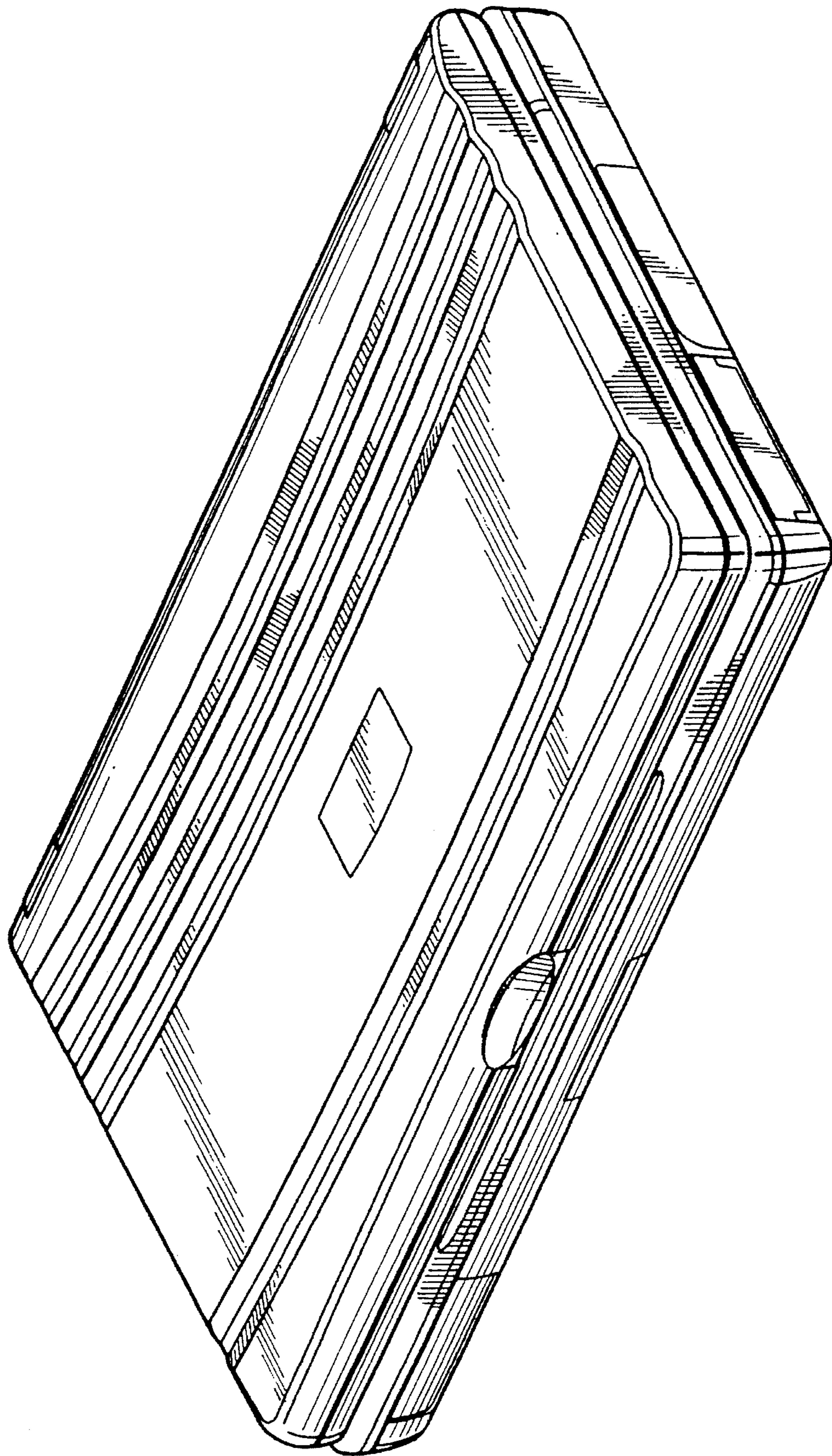


FIG. 2

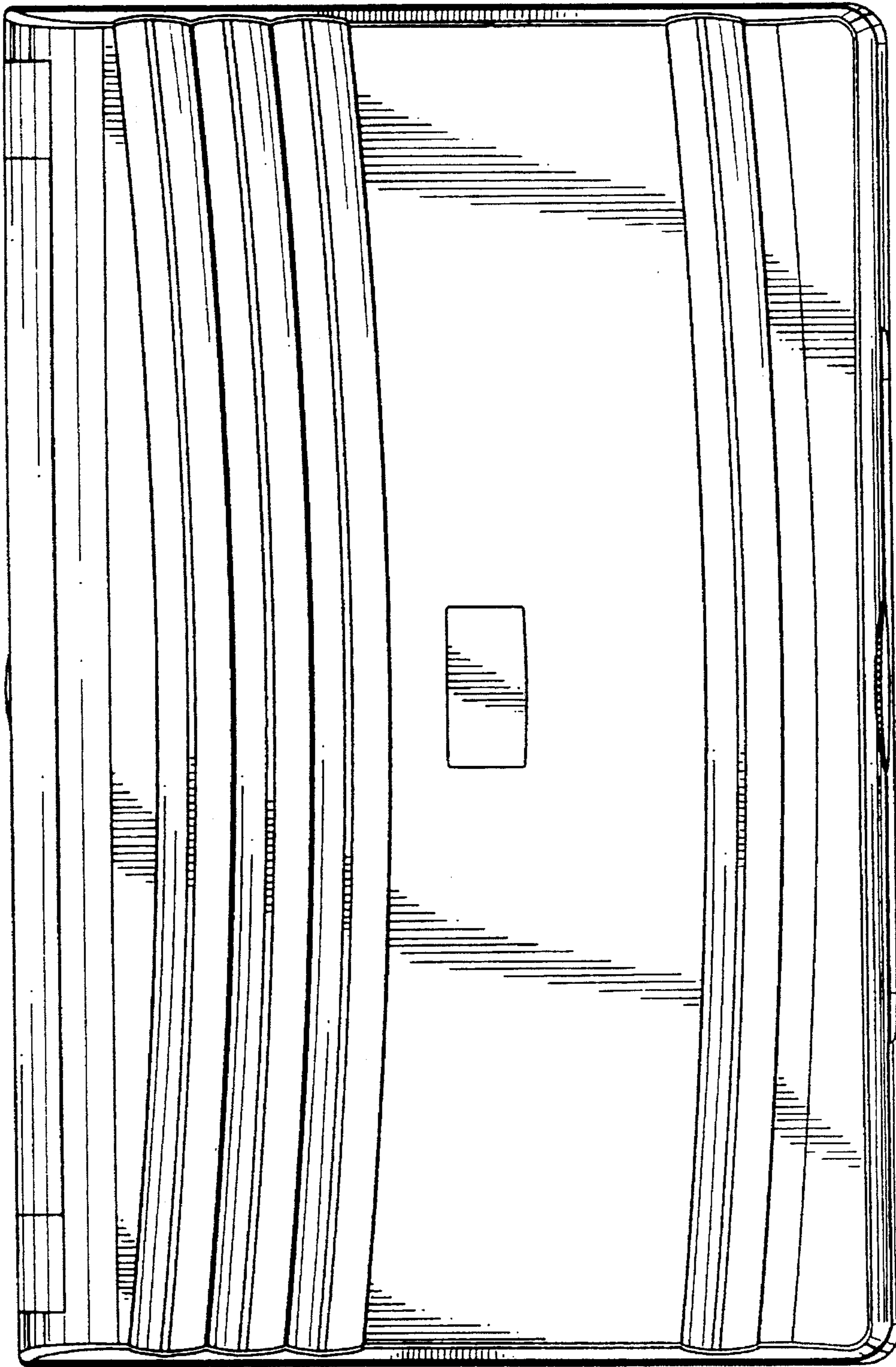


FIG. 3

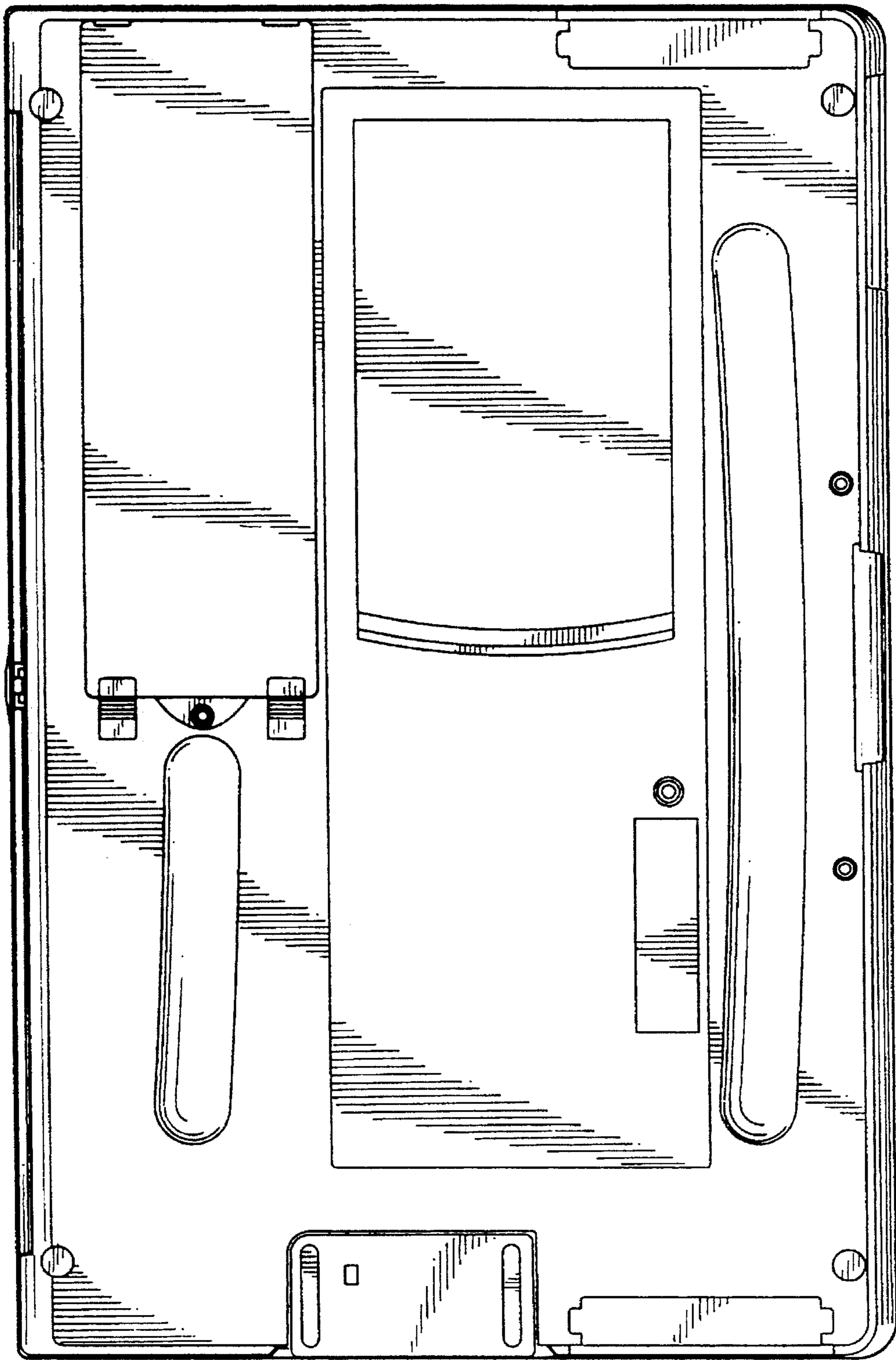


FIG. 4

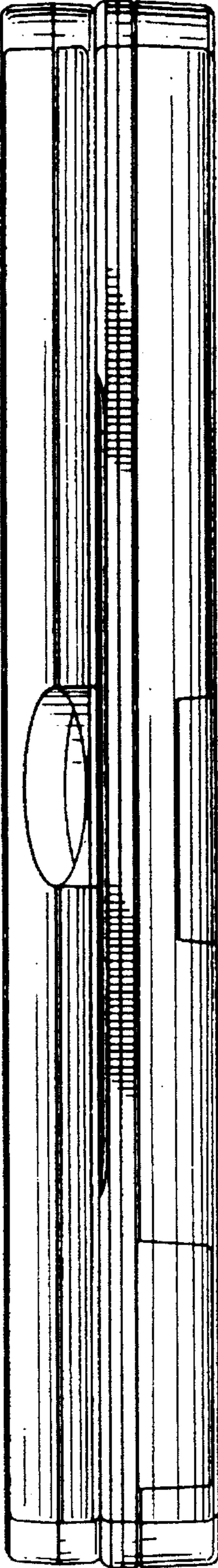


FIG. 5

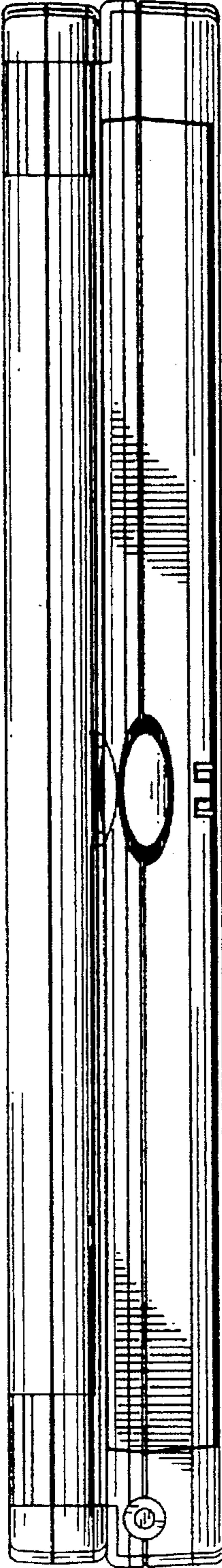


FIG. 6

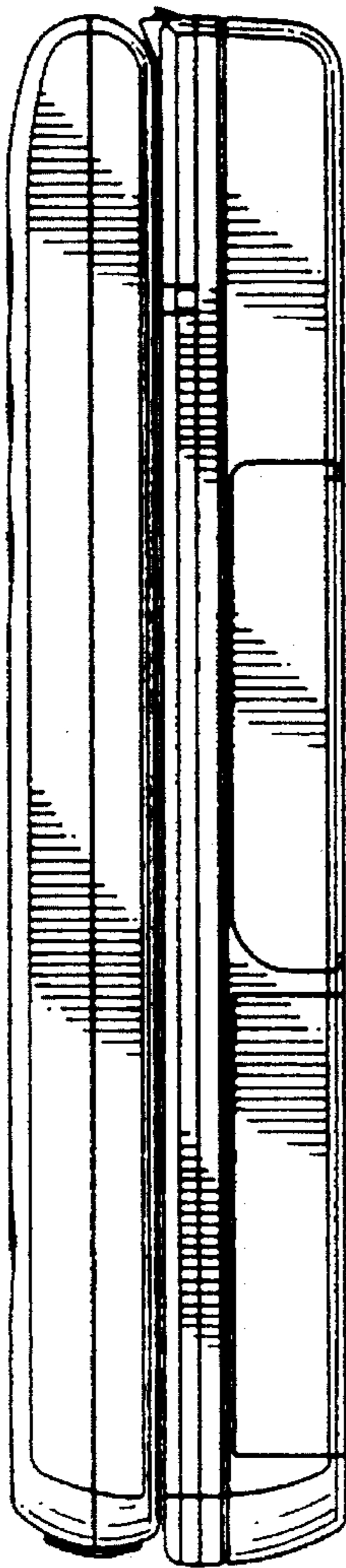


FIG. 7

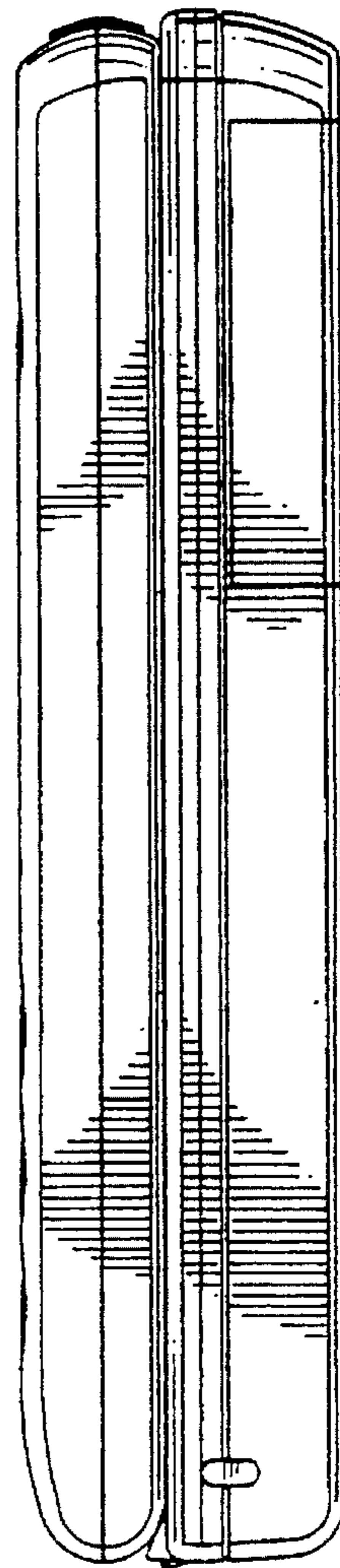


FIG. 8