



US00D364604S

United States Patent [19]

Tanaka et al.

[11] Patent Number: **Des. 364,604**

[45] Date of Patent: ****Nov. 28, 1995**

[54] LIGHT RECEIVING MODULE

[75] Inventors: **Masao Tanaka; Susumu Maeta**, both of Tottori, Japan

[73] Assignees: **Sanyo Electric Co., Ltd.**, Moriguchi; **Totori Sanyo Electric Co., Ltd.**, Tottori, both of Japan

[**] Term: **14 Years**

[21] Appl. No.: **31,297**

[22] Filed: **Nov. 21, 1994**

[30] Foreign Application Priority Data

Jul. 27, 1994 [JP] Japan 6-22728

[52] U.S. Cl. **D13/165**

[58] Field of Search D13/165, 182; 174/52.4; 361/730, 752; 250/239; 257/432

[56] References Cited

U.S. PATENT DOCUMENTS

D. 278,049	3/1985	Takahashi et al.	D13/182
4,650,998	3/1987	Martin	250/239
4,704,525	11/1987	Shimaoka et al.	250/239
4,967,312	10/1990	Ozawa et al.	361/752
5,013,911	5/1991	Koshida et al.	250/239
5,032,953	7/1991	Carl et al.	D13/182 X
5,302,778	4/1994	Maurinus	257/432 X
5,365,062	11/1994	Saffari et al.	250/239

FOREIGN PATENT DOCUMENTS

812417 1/1991 Japan .
 863264 12/1992 Japan .
 874427 4/1993 Japan .

OTHER PUBLICATIONS

LED circuit board indicators on p. 155 of *Arrow Electronics* catalog ©1988.
 Infrared emitters on p. 166 of *Arrow Electronics* catalog ©1988.

Primary Examiner—Joel Sincavage
Attorney, Agent, or Firm—Darby & Darby

[57] CLAIM

The ornamental design for a light receiving module, as shown.

DESCRIPTION

FIG. 1 is a top, front, and right side perspective view of our new design for a light receiving module;
 FIG. 2 is a front elevation view thereof;
 FIG. 3 is a rear elevation view thereof;
 FIG. 4 is a top plan view thereof;
 FIG. 5 is a bottom plan view thereof;
 FIG. 6 is a left side elevation view thereof; and,
 FIG. 7 is a right side elevation view thereof.

1 Claim, 2 Drawing Sheets

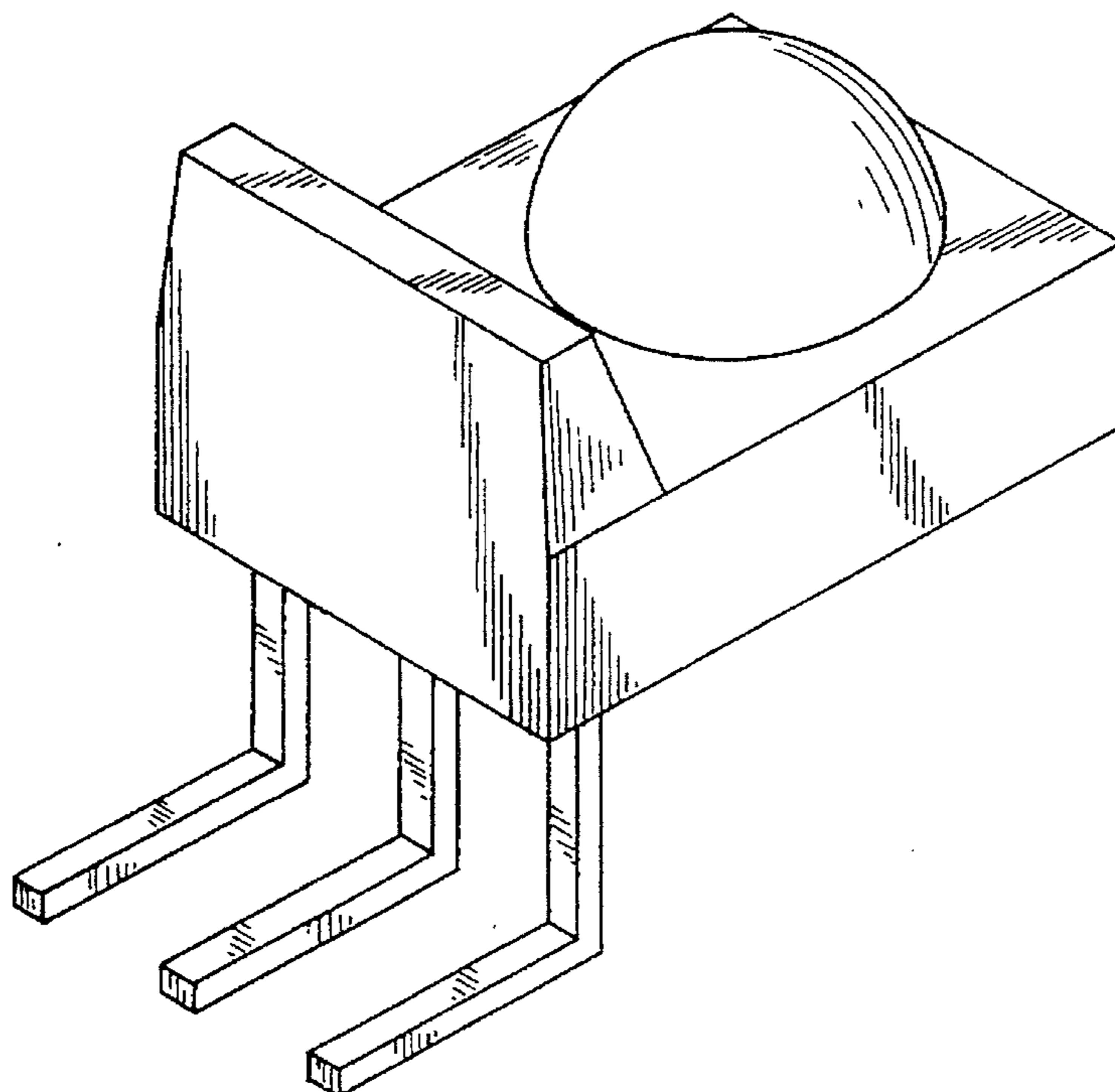


FIG. 1

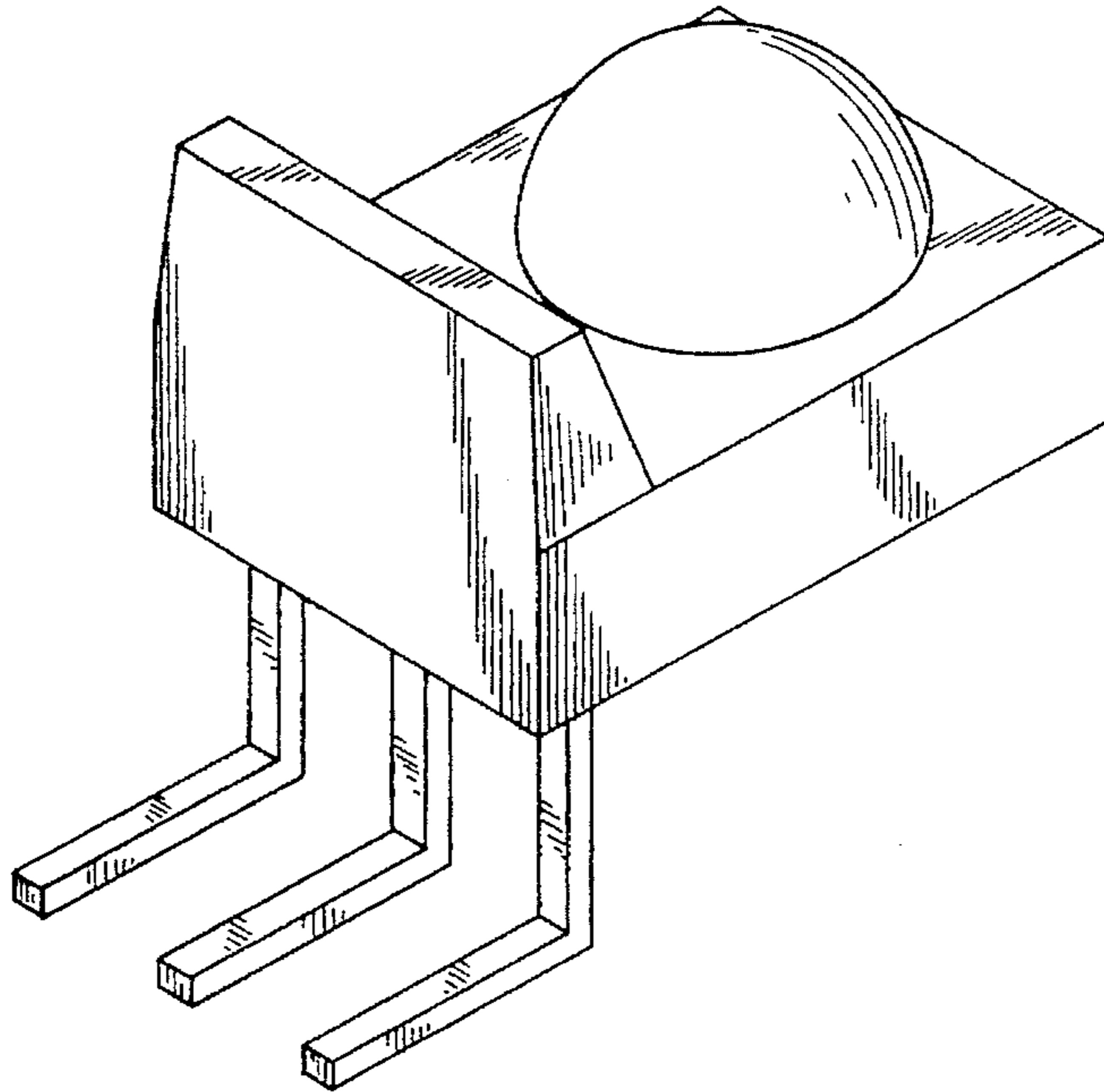


FIG. 2

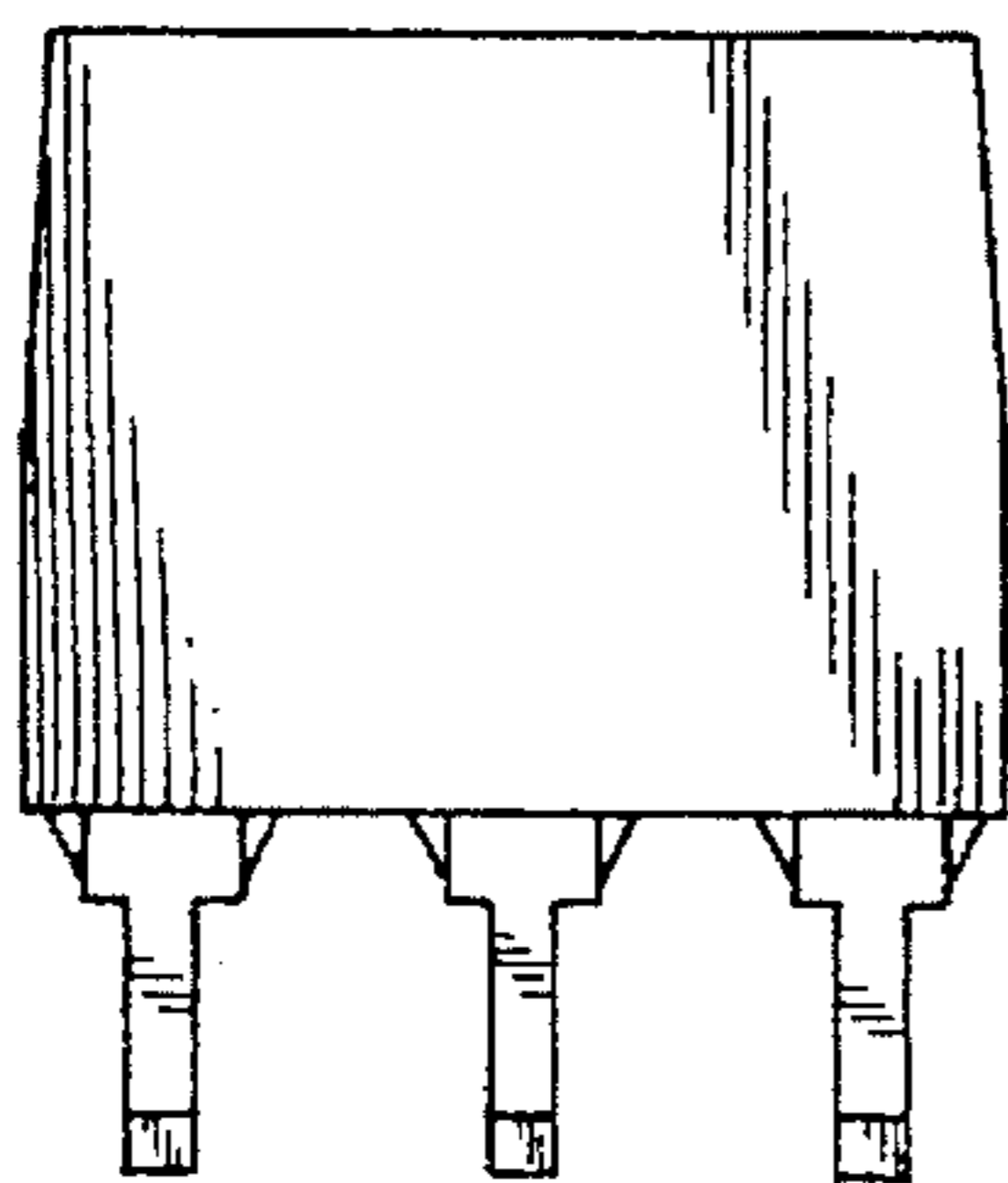


FIG. 3

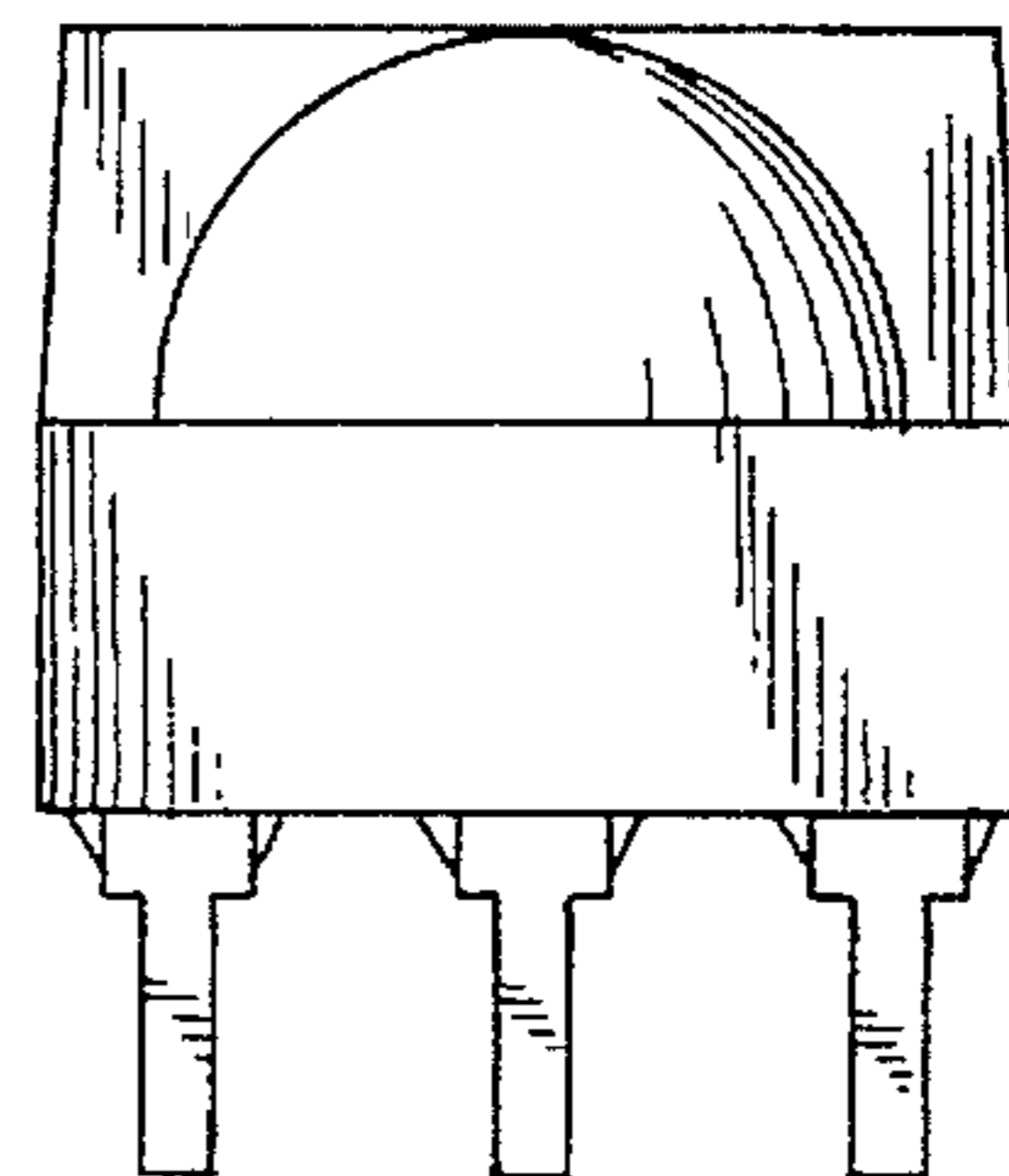


FIG. 4

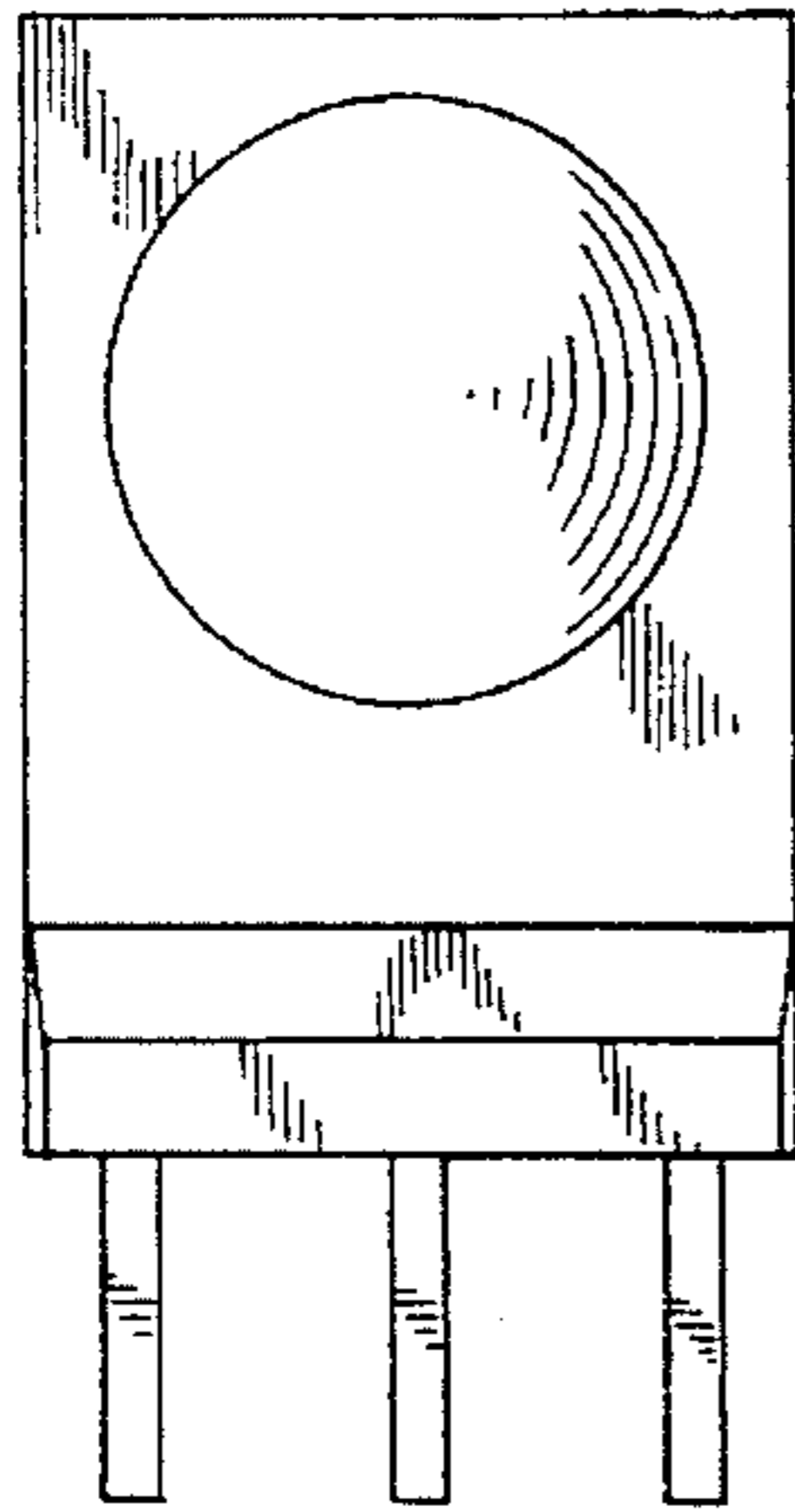


FIG. 5

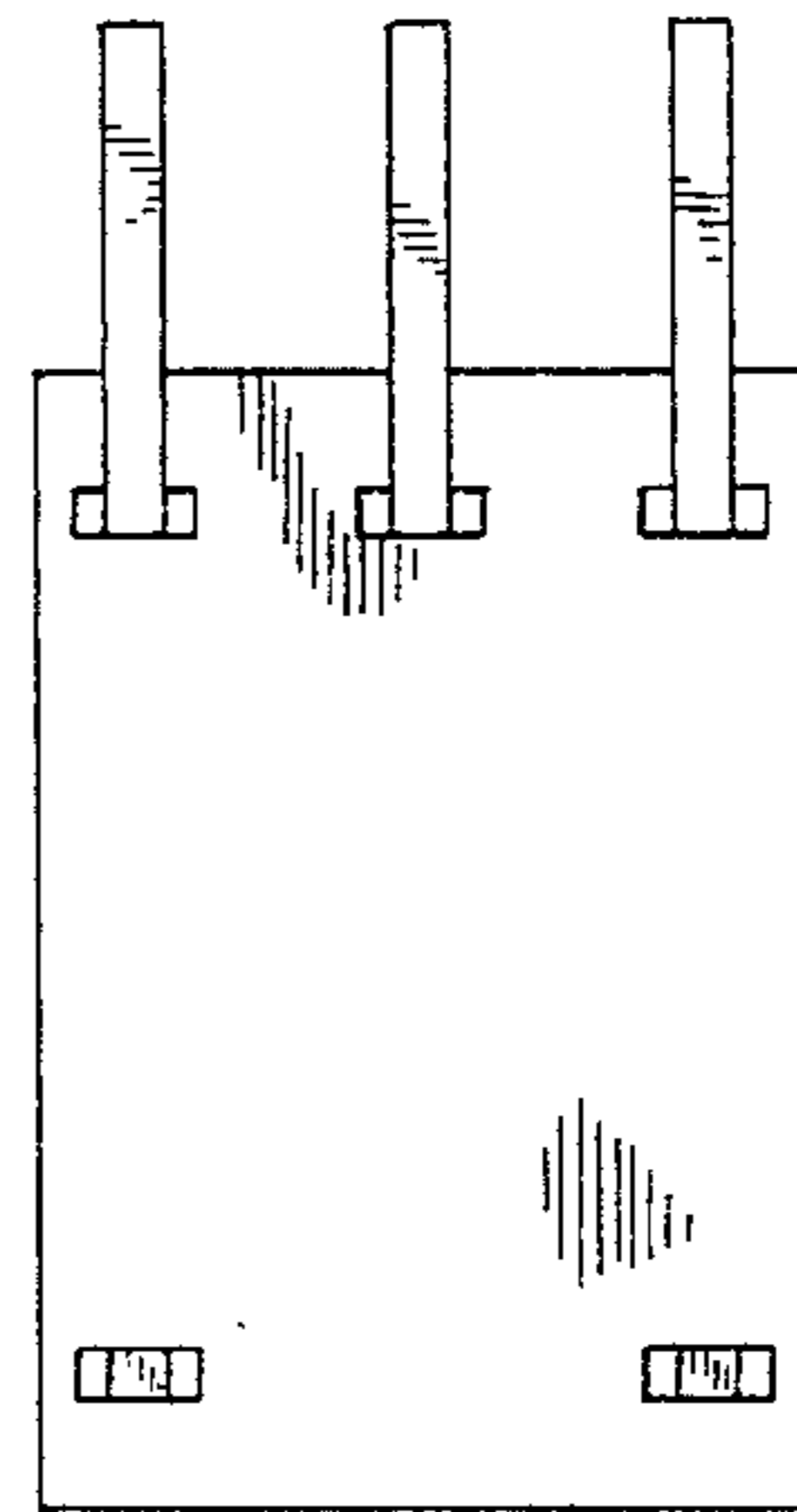


FIG. 6

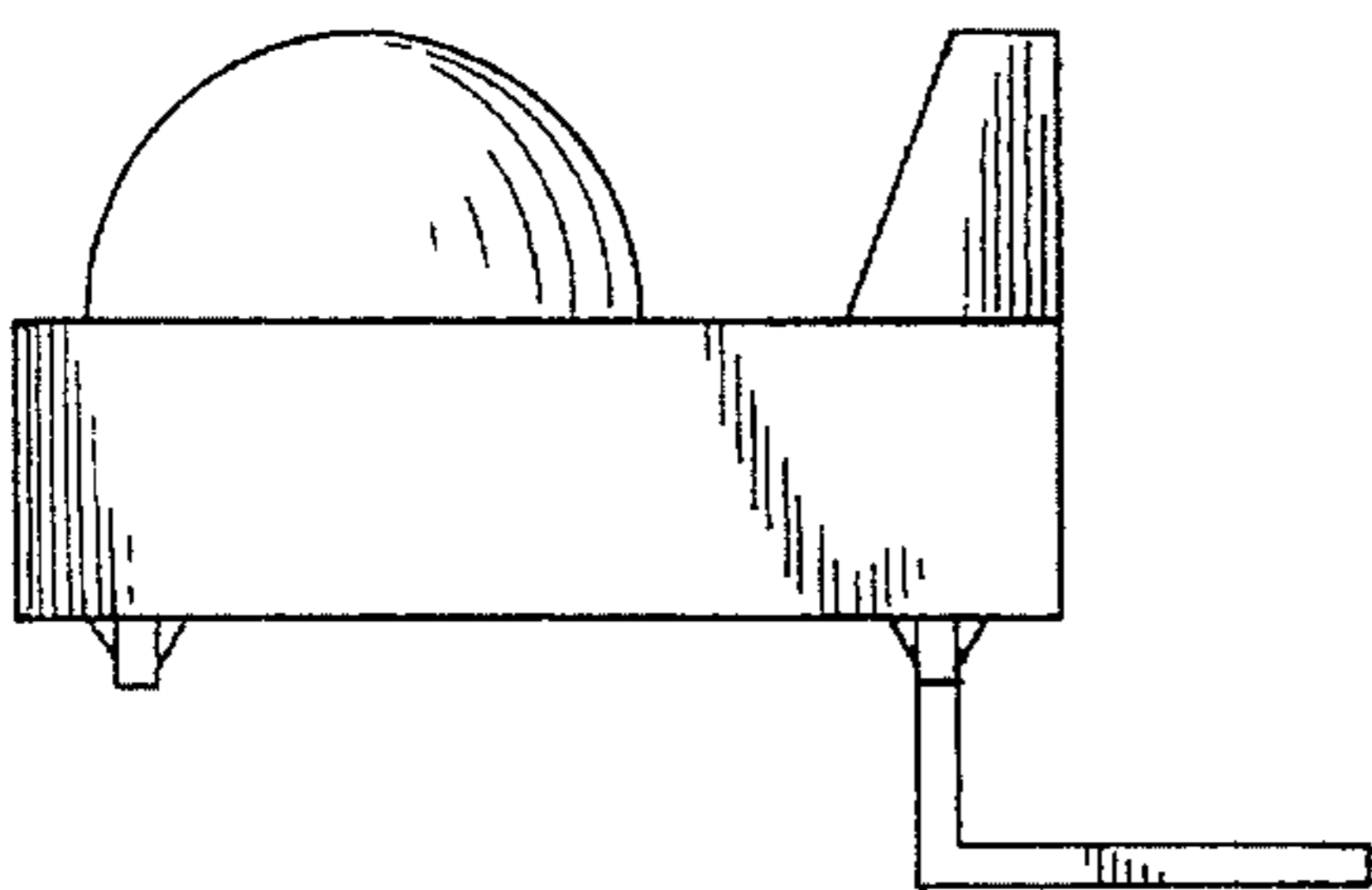
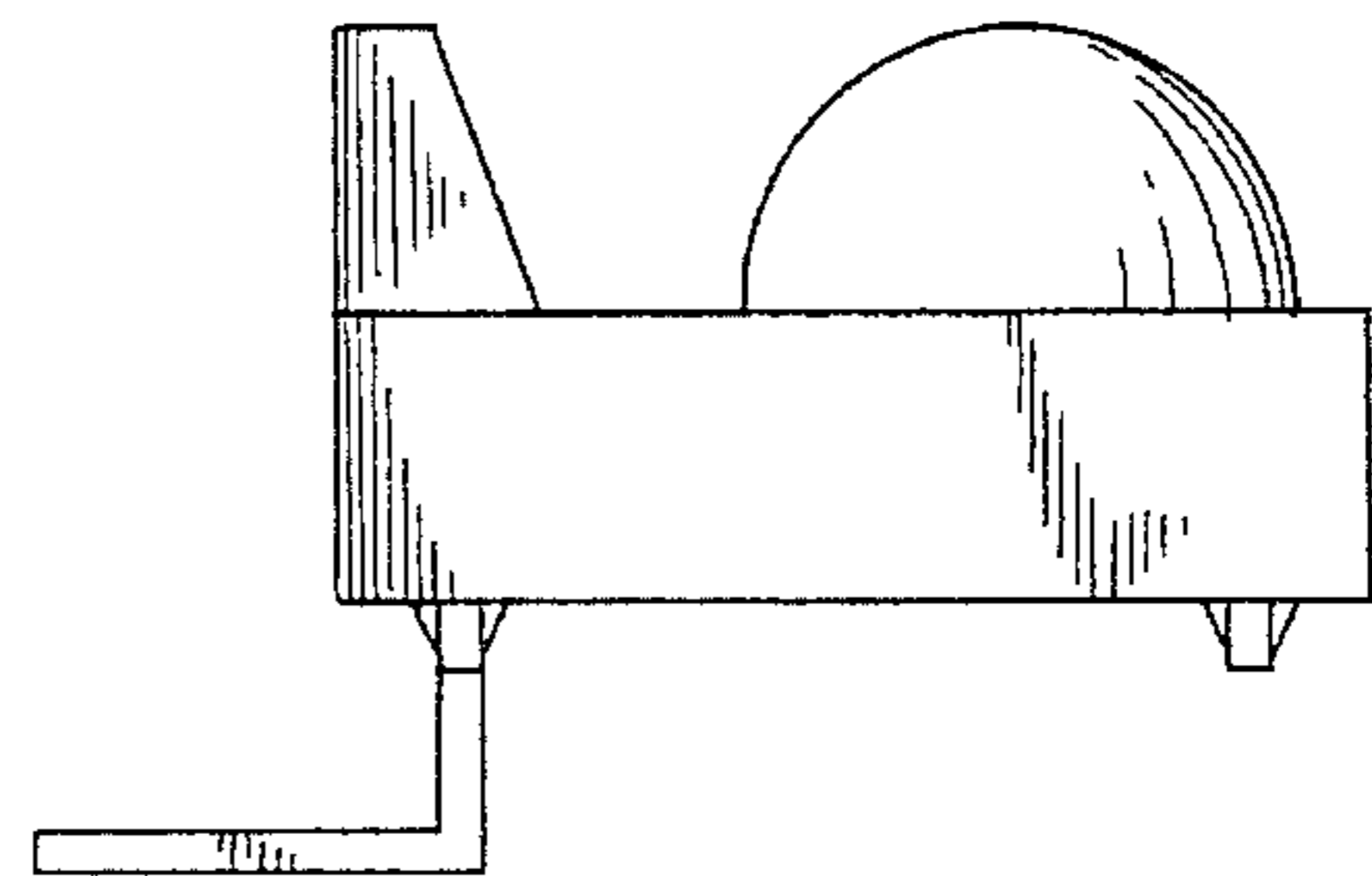


FIG. 7



UNITED STATES PATENT AND TRADEMARK OFFICE
CERTIFICATE OF CORRECTION

PATENT NO. : **Des. 364,604**
DATED : **November 28, 1995**
INVENTOR(S) : **Masao TANAKA ET AL.**

It is certified that error appears in the above-identified patent and that said Letters Patent is hereby corrected as shown below:

Item [73], assignee "Totori Sanyo Electric Co., Ltd." should be --Tottori Sanyo Electric Co., Ltd.--.

Signed and Sealed this
Twenty-seventh Day of February, 1996

Attest:



BRUCE LEHMAN

Attesting Officer

Commissioner of Patents and Trademarks