



US00D364603S

# United States Patent [19]

[11] Patent Number: **Des. 364,603**

Tanaka et al.

[45] Date of Patent: **\*\*Nov. 28, 1995**

## [54] LIGHT RECEIVING MODULE

[75] Inventors: **Masao Tanaka; Susumu Maeta; Takashi Yamaoka**, all of Tottori, Japan

[73] Assignees: **Sanyo Electric Co., Ltd.**, Moriguchi; **Tottori Sanyo Electric Co., Ltd.**, Tottori, both of Japan

[\*\*] Term: **14 Years**

[21] Appl. No.: **31,296**

[22] Filed: **Nov. 21, 1994**

### [30] Foreign Application Priority Data

Jun. 20, 1994 [JP] Japan ..... 6-18265

[52] U.S. Cl. .... **D13/165**

[58] Field of Search ..... D13/165, 182; 174/52.4; 361/730, 752; 250/239; 257/432

### [56] References Cited

#### U.S. PATENT DOCUMENTS

D. 278,049	3/1985	Takahashi et al. ....	D13/182
4,650,998	3/1987	Martin .....	250/239
4,704,525	11/1987	Shimaoka et al. ....	250/239
4,967,312	10/1990	Ozawa et al. ....	361/752
5,013,911	5/1991	Koshida et al. ....	250/239
5,032,953	7/1991	Carl et al. ....	D13/182 X
5,302,778	4/1994	Maurinus .....	257/432 X
5,365,062	11/1994	Saffari et al. ....	250/239

## FOREIGN PATENT DOCUMENTS

812417	1/1991	Japan .
874427	4/1993	Japan .
874428	4/1993	Japan .

## OTHER PUBLICATIONS

LED circuit board indicators on p. 155 of *Arrow Electronics* catalog ©1988.

Infrared emitters on p. 166 of *Arrow Electronics* catalog ©1988.

*Primary Examiner*—Joel Sincavage

*Attorney, Agent, or Firm*—Darby & Darby

## [57] CLAIM

The ornamental design for a light receiving module, as shown.

## DESCRIPTION

FIG. 1 is a top, front and right side perspective view of our new design for a light receiving module;

FIG. 2 is a front elevation view thereof;

FIG. 3 is a rear elevation view thereof;

FIG. 4 is a top plan view thereof;

FIG. 5 is a bottom plan view thereof;

FIG. 6 is a left side elevation view thereof; and,

FIG. 7 is a right side elevation view thereof.

**1 Claim, 2 Drawing Sheets**

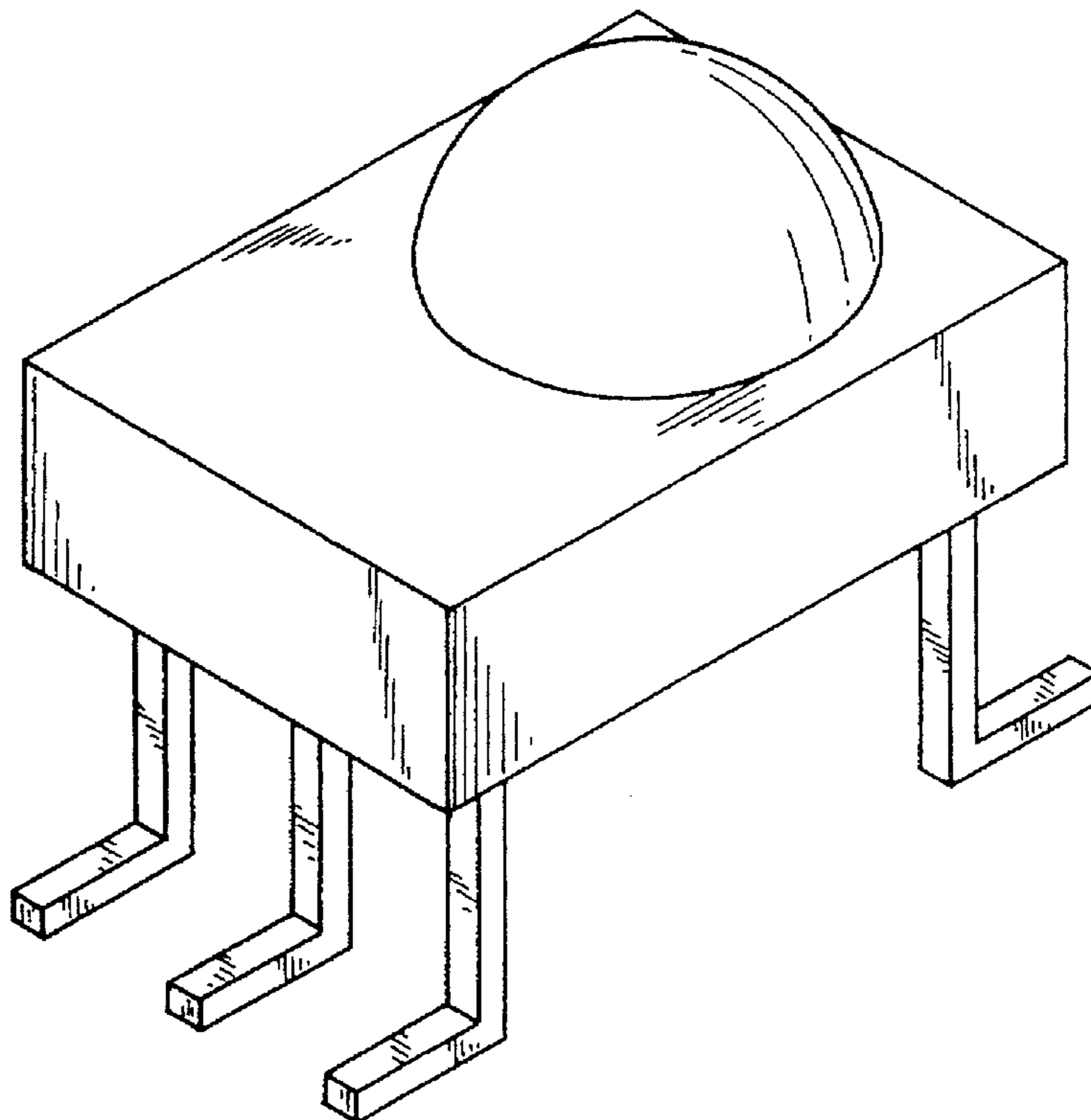


FIG. 1

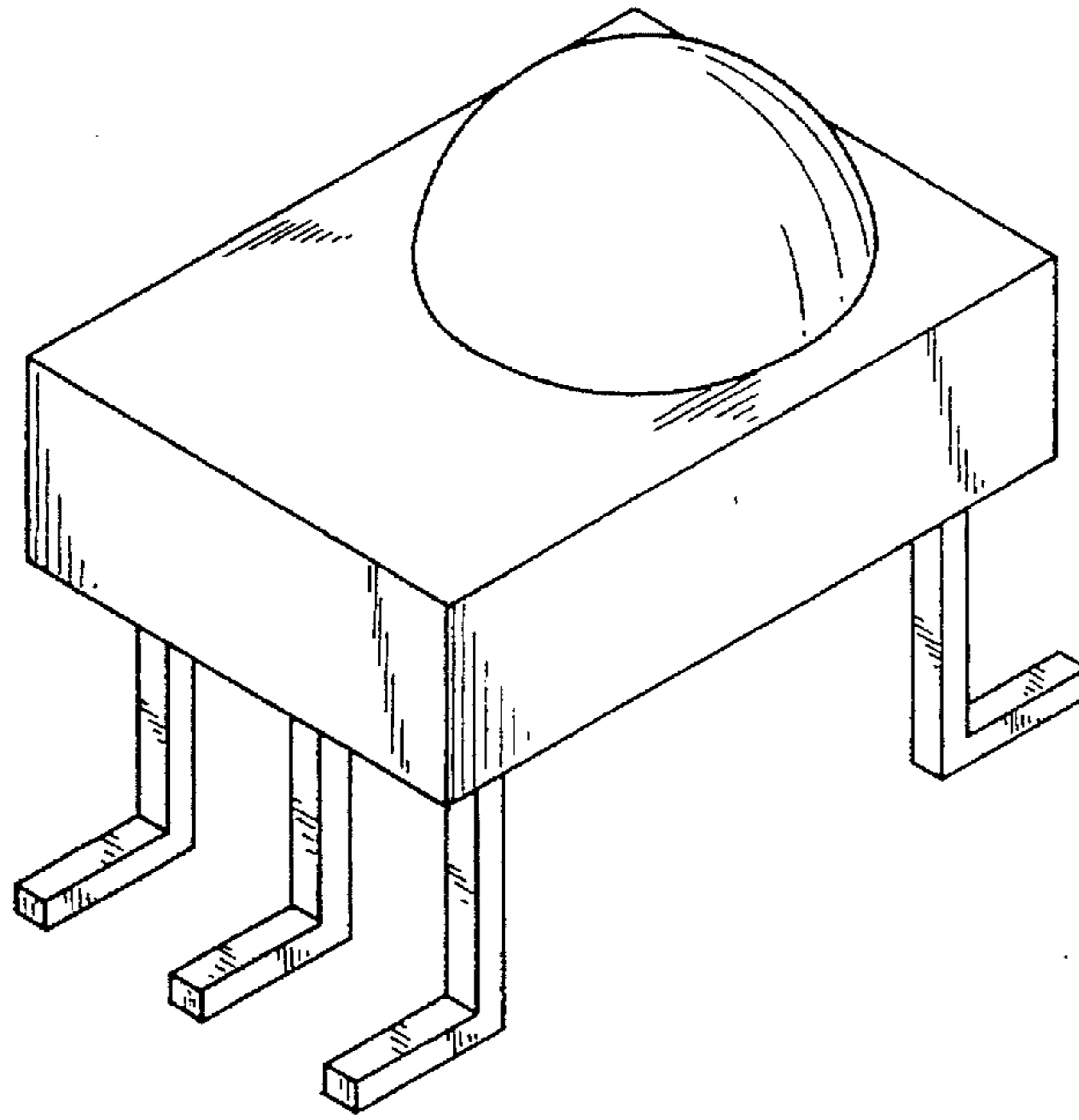


FIG. 2

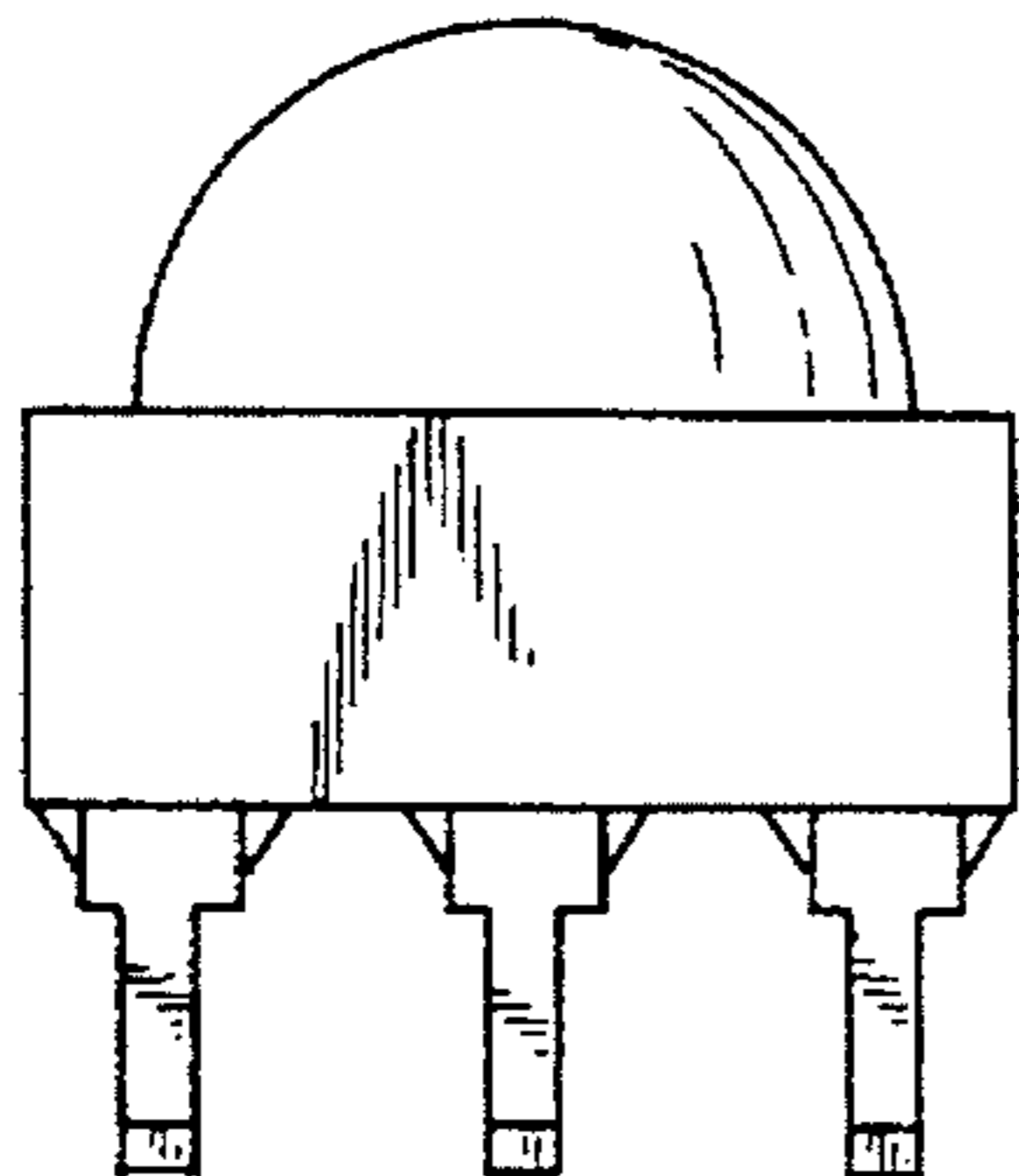


FIG. 3

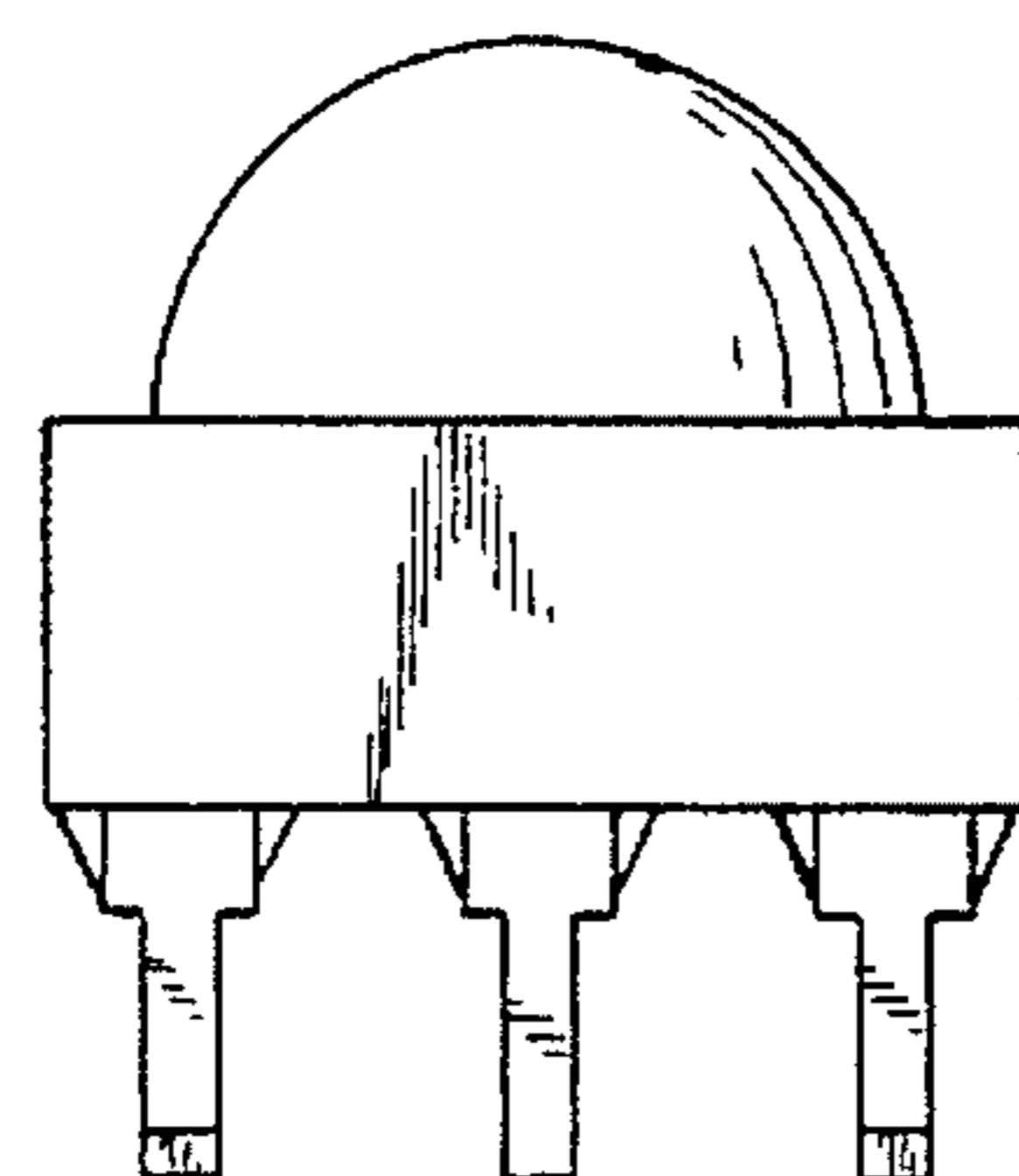


FIG. 4

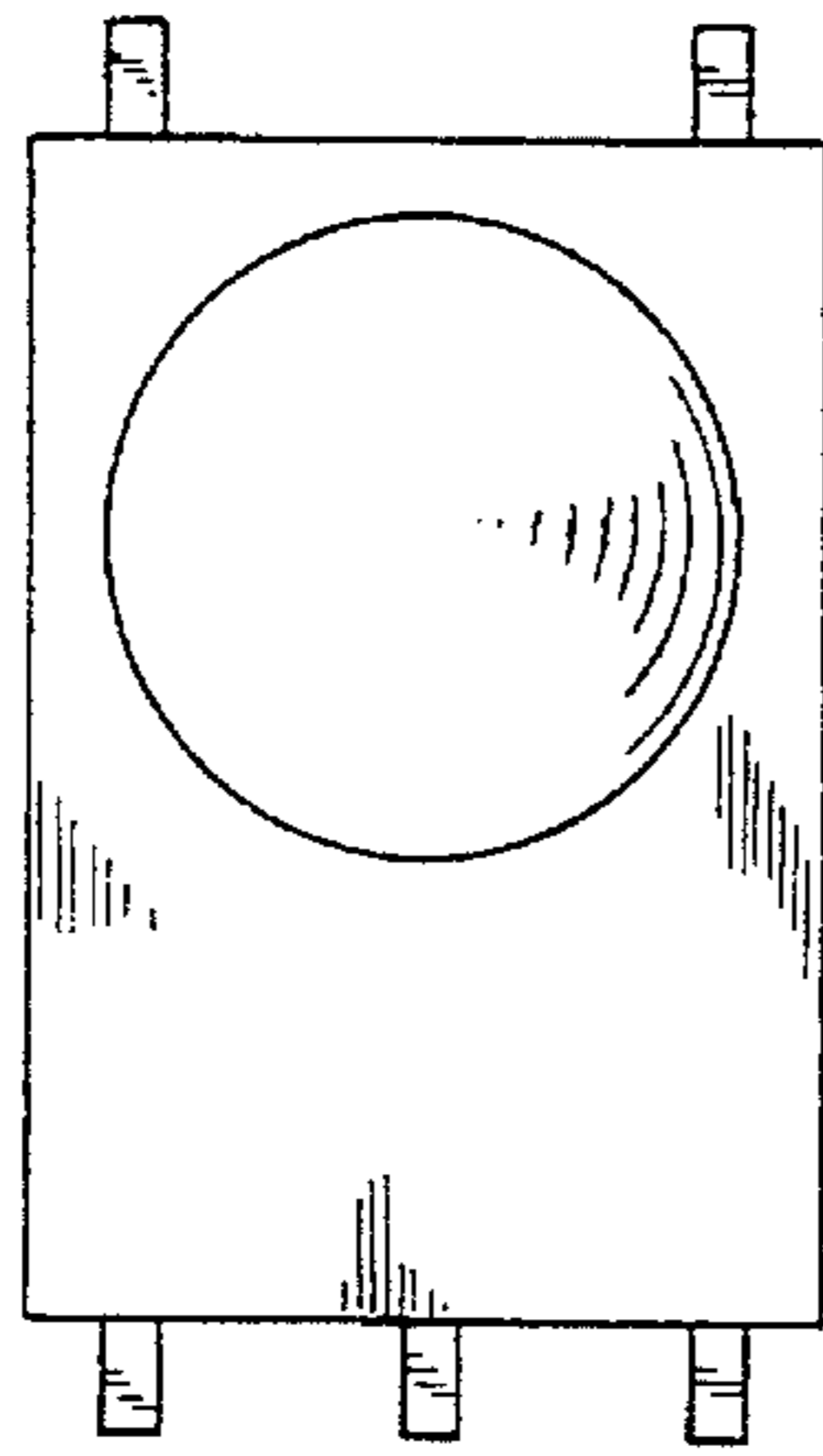


FIG. 5

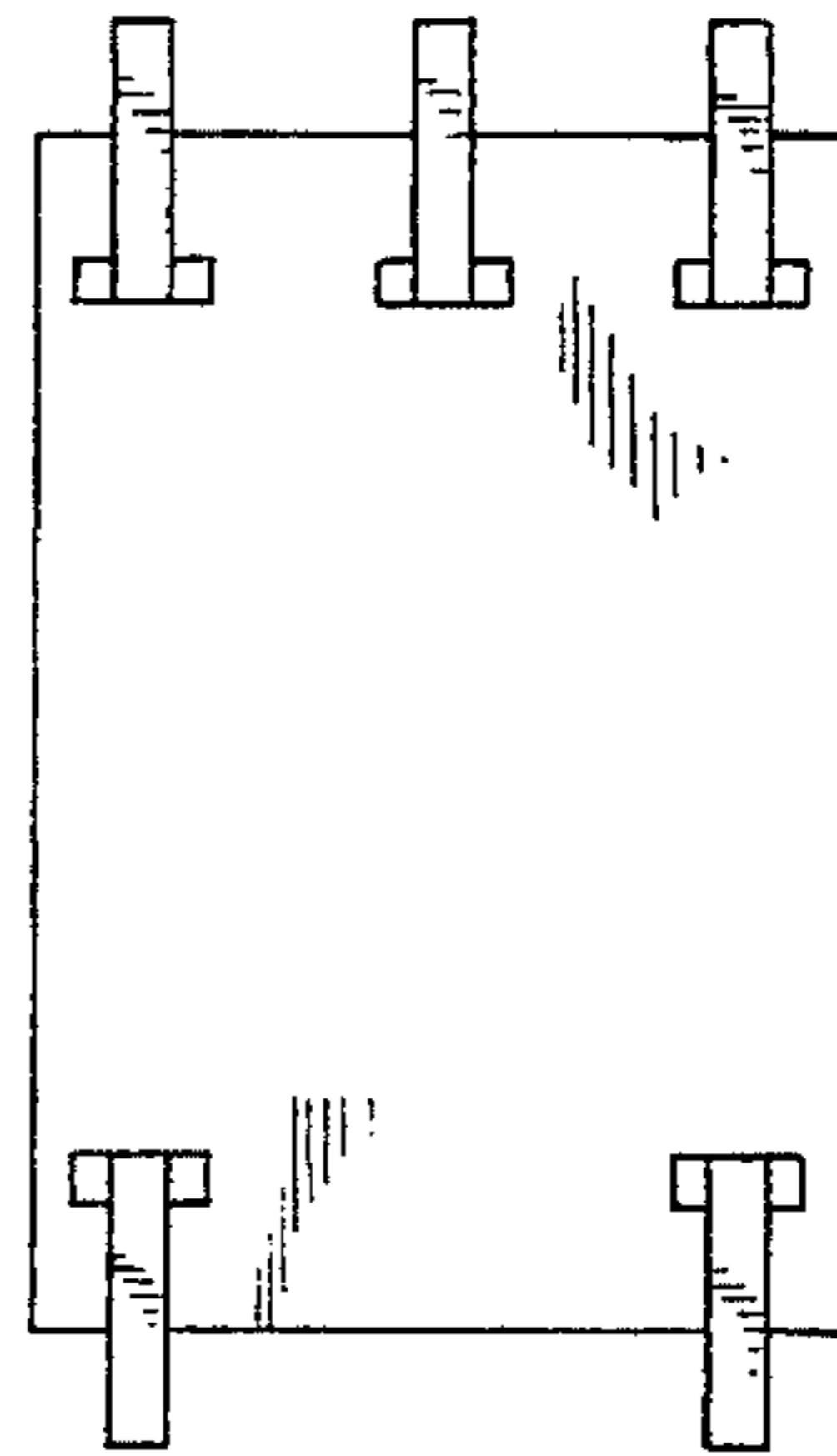


FIG. 6

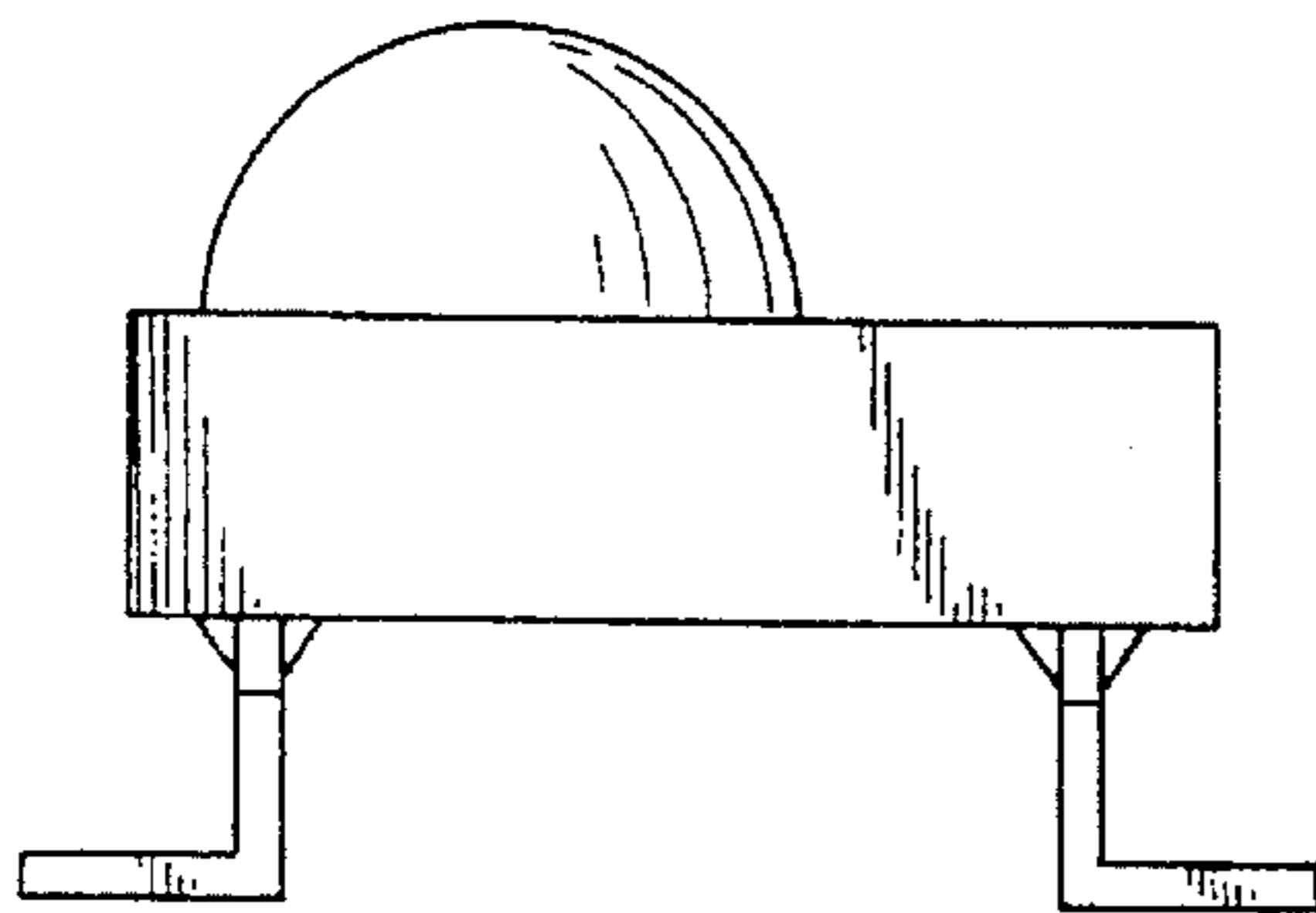


FIG. 7

