



US00D364601S

United States Patent [19]

[11] Patent Number: **Des. 364,601**

Iwaki et al.

[45] Date of Patent: ****Nov. 28, 1995**

[54] BATTERY UNIT

[75] Inventors: **Yumio Iwaki**, Odawara; **Yoshihiro Sekino**, Ichihara; **Yoshitaka Watanabe**, Nagareyama, all of Japan

[73] Assignee: **Japex Geoscience Institute, Inc.**, Tokyo, Japan

[**] Term: **14 Years**

[21] Appl. No.: **32,761**

[22] Filed: **Dec. 2, 1994**

[30] Foreign Application Priority Data

Jun. 3, 1994 [JP] Japan 6-16282

[52] U.S. Cl. **D13/103**

[58] Field of Search D13/103; 429/96, 429/97, 99, 100, 176, 178, 185

[56] References Cited

U.S. PATENT DOCUMENTS

D. 30,689	5/1899	Schwedtmann	D13/101
D. 306,281	2/1990	Braswell	D13/103
D. 321,680	11/1991	Blount et al.	D13/103
4,160,857	7/1979	Nardella et al.	429/97
5,004,129	4/1991	Loch et al.	429/97 X

OTHER PUBLICATIONS

G DAPS-3, Geophysical Data Acquisition and Processing System, Japax Geoscience Institute, Inc. 1989, brochure, p. 5.

I/O System Two, Seismic Telemetry Data Acquisition System, Input/Output, Inc., 1993.

Primary Examiner—Joel Sincavage

Attorney, Agent, or Firm—Pollock, Vande Sande & Priddy

[57] CLAIM

The ornamental design for a battery unit, as shown and described.

DESCRIPTION

FIG. 1 is a top plan view of a battery unit showing my new design;

FIG. 2 is a front elevational view thereof;

FIG. 3 is a bottom plan view thereof;

FIG. 4 is a rear elevational view thereof;

FIG. 5 is a right side elevational view thereof, the left side elevational view thereof being a mirror image except for the fittings on the top; and,

FIG. 6 is a front, top and left side perspective view thereof.

1 Claim, 3 Drawing Sheets

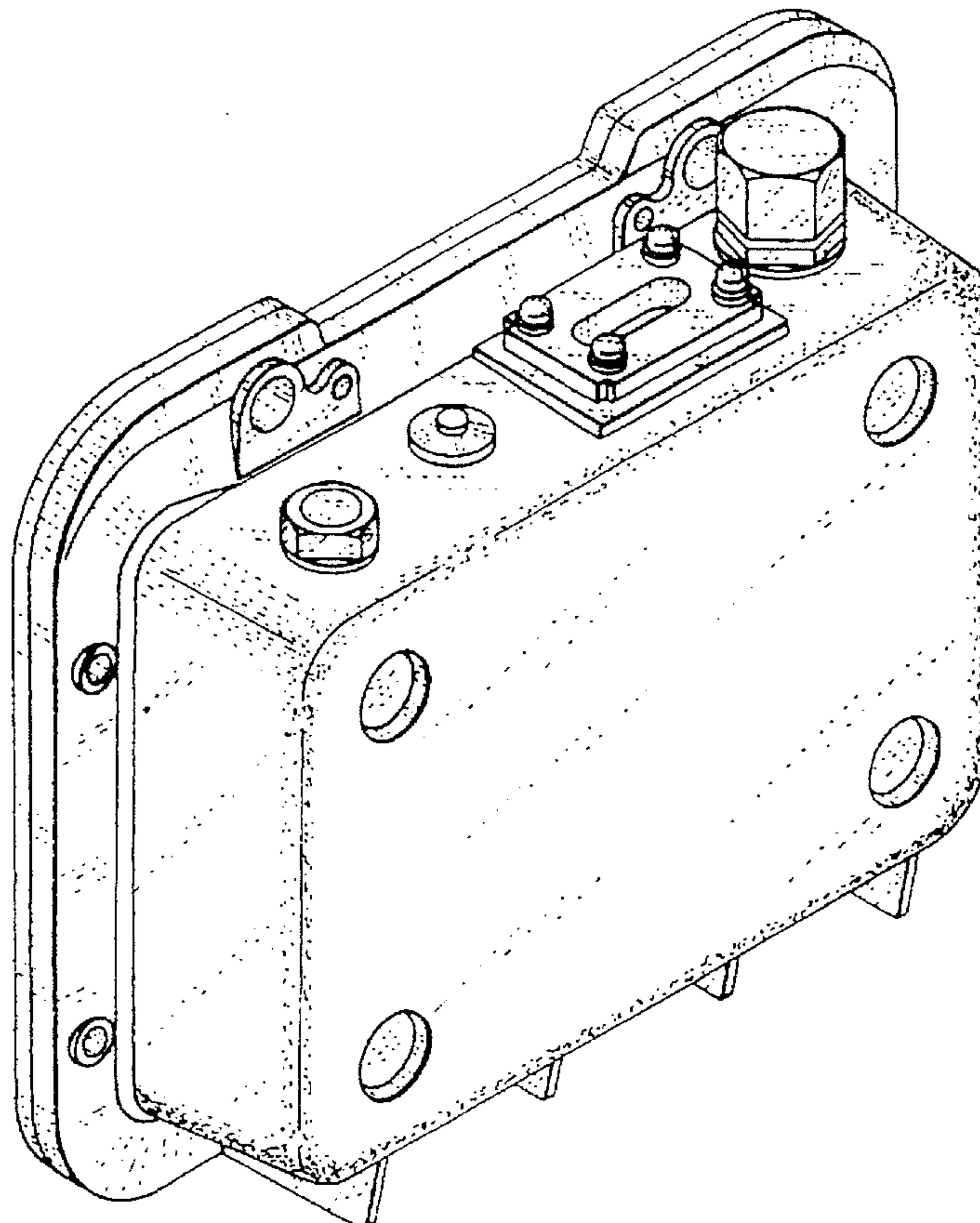


FIG.1

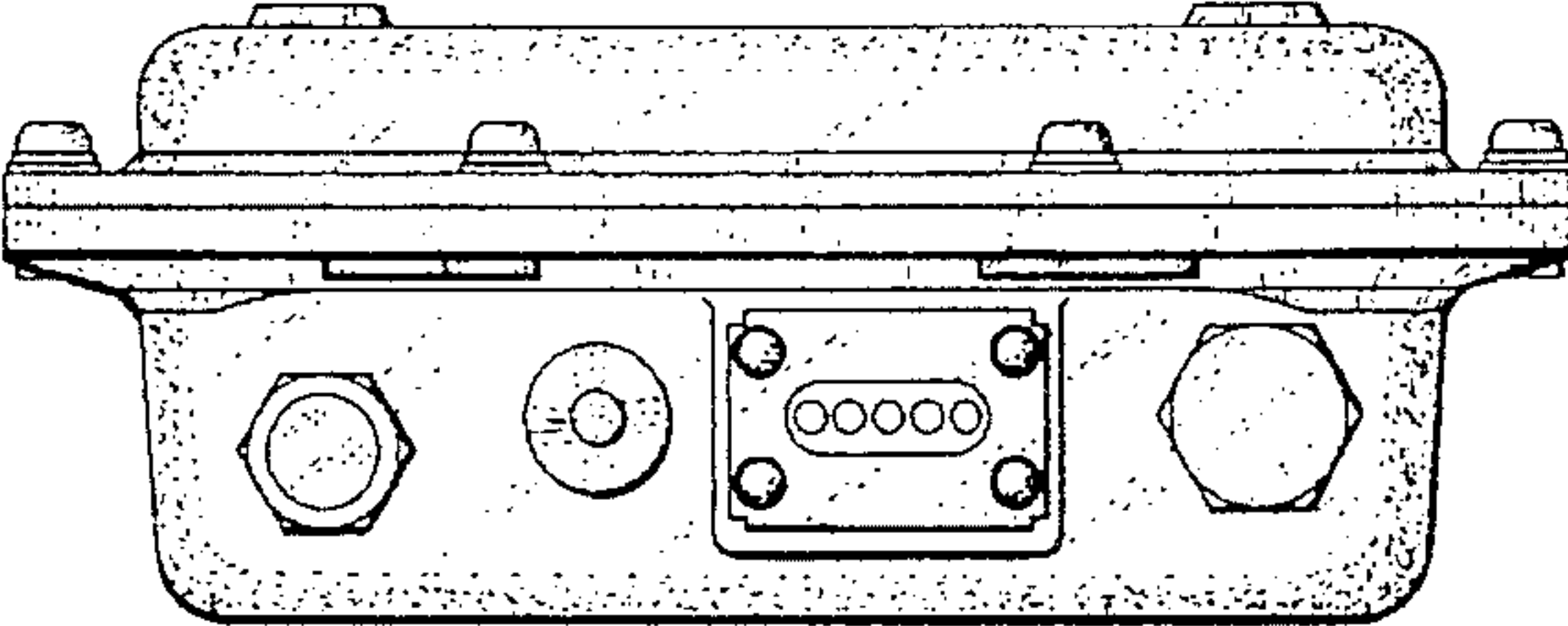


FIG.2

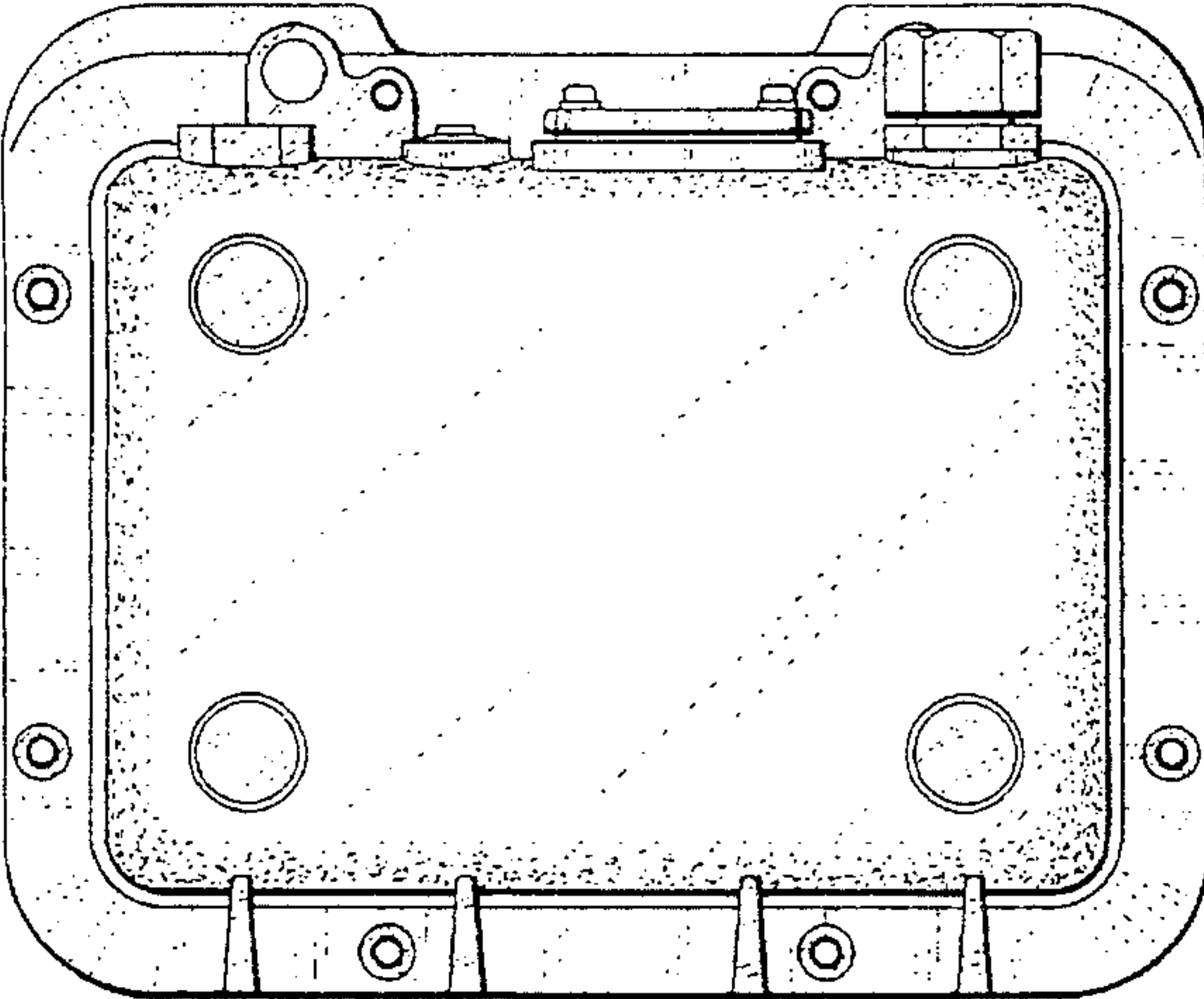


FIG.3

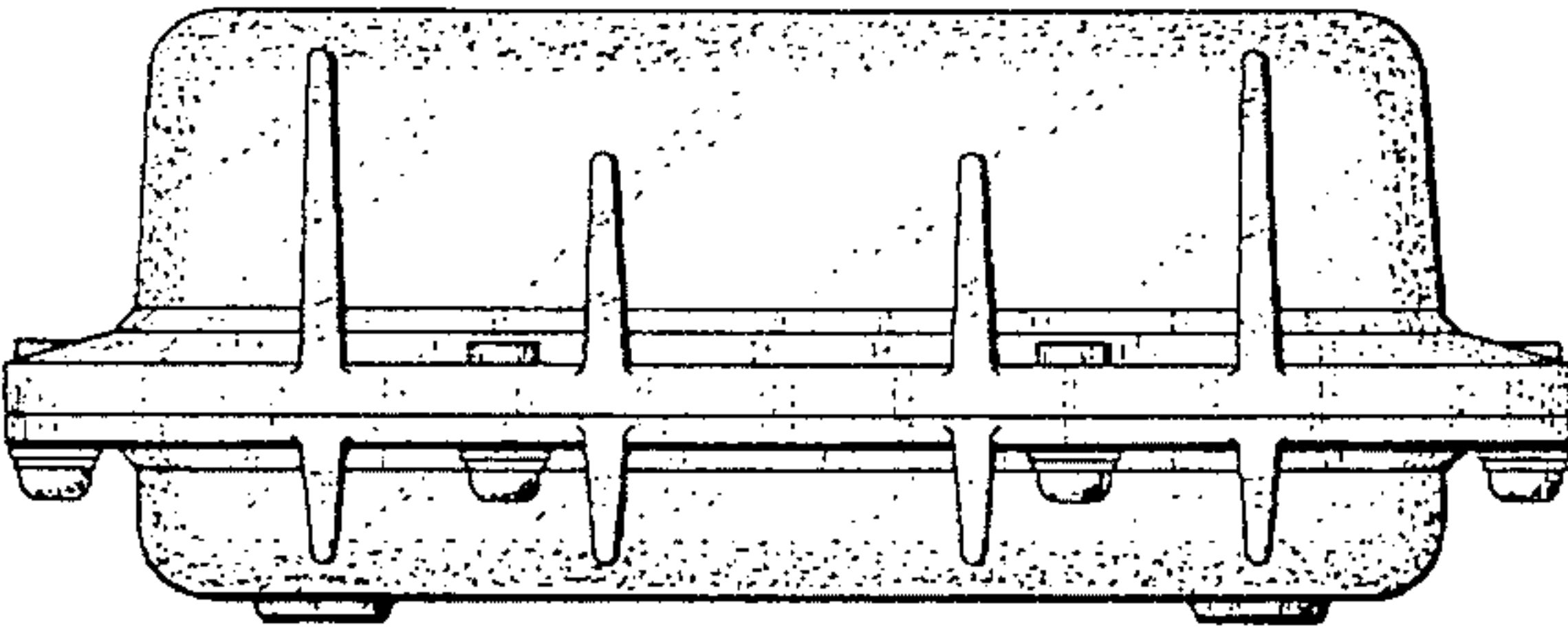


FIG.4

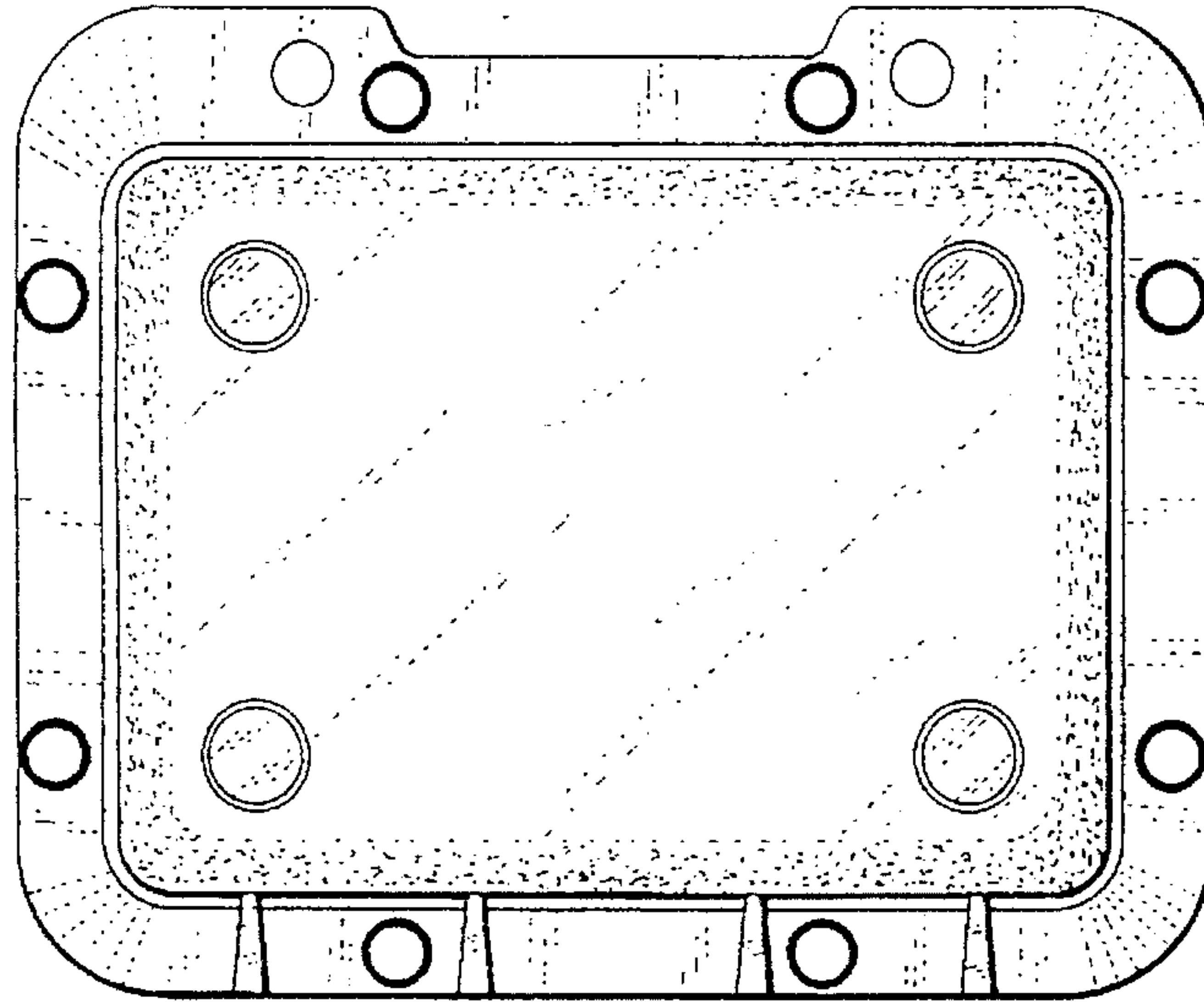


FIG.5

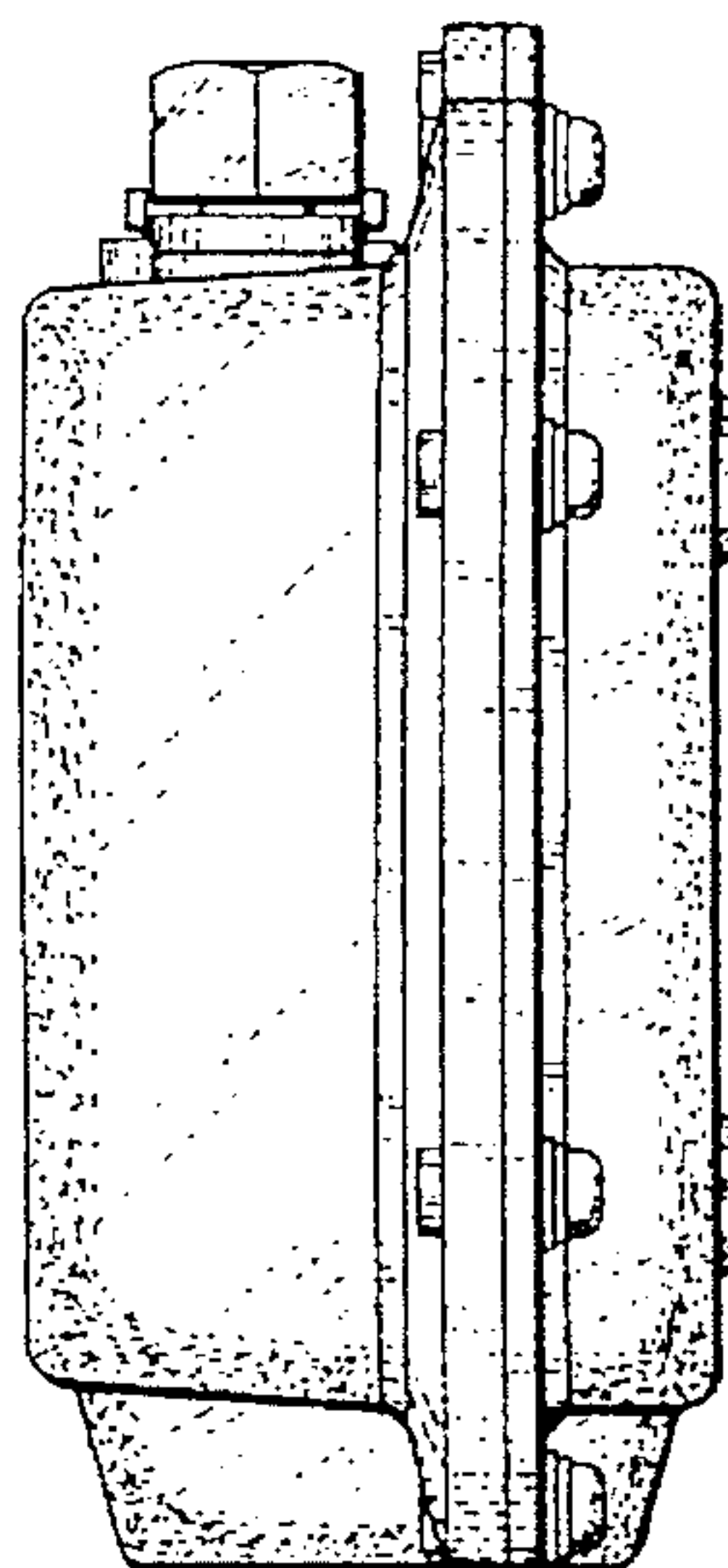


FIG. 6

