



US00D364592S

**United States Patent** [19]  
**Thompson**

[11] **Patent Number: Des. 364,592**

[45] **Date of Patent: \*\*Nov. 28, 1995**

[54] **STROLLER MOUNTABLE SUN VISOR**

4,865,380 9/1989 Heitzman-Powell et al. .... 297/184.13  
5,010,590 4/1991 Haber et al. .

[76] Inventor: **Judith A. Thompson**, 40154 166th St.  
East, Palmdale, Calif. 93591

*Primary Examiner*—Kay H. Chin  
*Attorney, Agent, or Firm*—Terry M. Gernstein

[\*\*] Term: **14 Years**

[57] **CLAIM**

[21] Appl. No.: **27,205**

The ornamental design for a stroller mountable sun visor, as shown and described.

[22] Filed: **Aug. 16, 1994**

[52] U.S. Cl. .... **D12/133**

[58] **Field of Search** ..... D12/133, 129;  
297/184.1, 184.11, 184.12, 184.13, 184.14,  
184.15, DIG. 4, 217, 183

**DESCRIPTION**

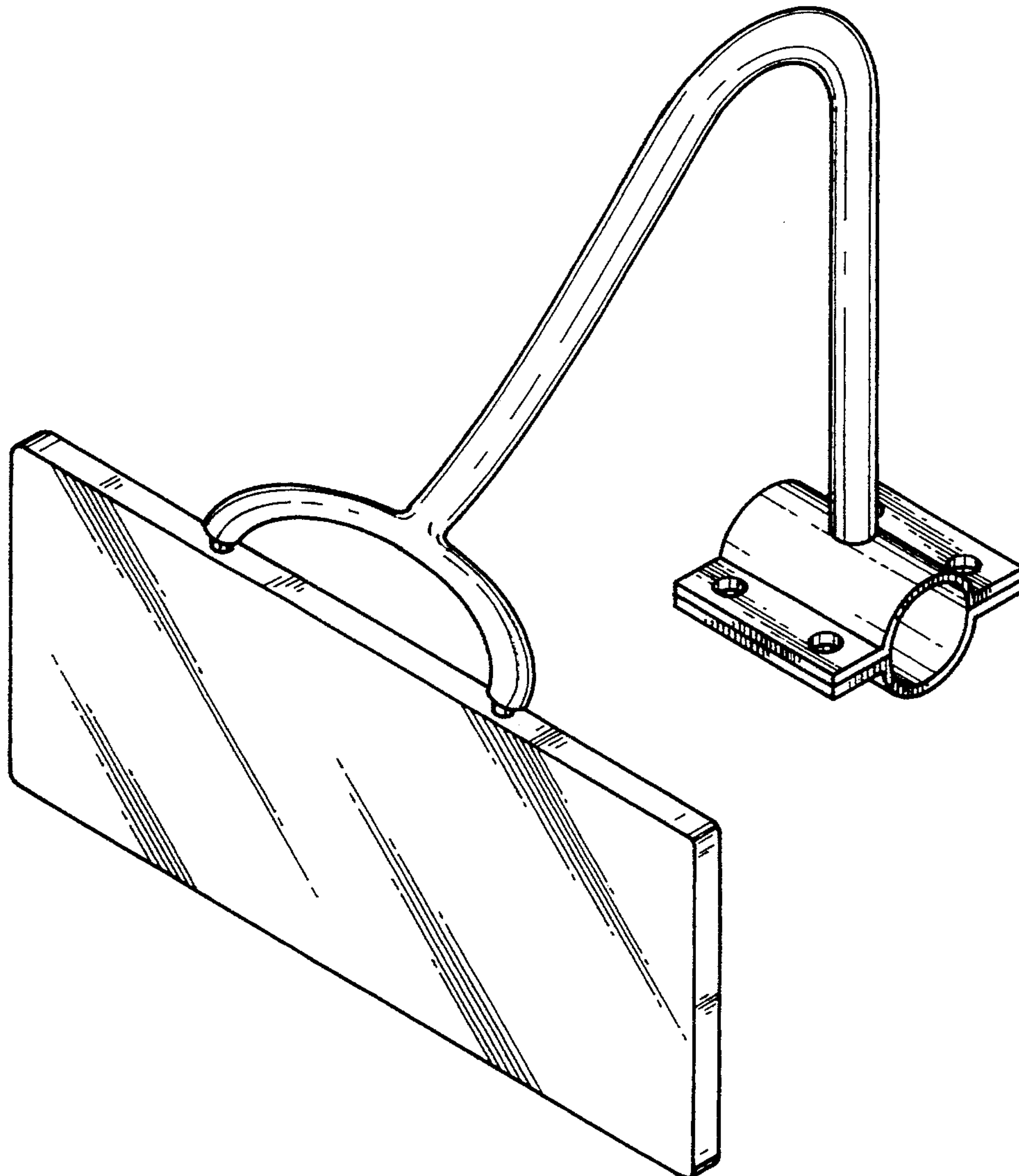
FIG. 1 is a front, top and side perspective view of the stroller mountable sun visor showing my new design;  
FIG. 2 is a front elevational view thereof;  
FIG. 3 is a rear elevational view thereof;  
FIG. 4 is a side elevational view thereof, the side opposite being a mirror image of the side shown in FIG. 4;  
FIG. 5 is a top plan view thereof; and,  
FIG. 6 is a bottom plan view thereof.

[56] **References Cited**

**U.S. PATENT DOCUMENTS**

4,583,780	4/1986	Finn .....	297/184.12
4,606,077	8/1986	Phillips .	
4,670,910	6/1987	Rosasco .	
4,813,739	3/1989	Miller .....	297/184.12
4,858,990	8/1989	Combs-Rose et al. ....	297/184.13

**1 Claim, 5 Drawing Sheets**



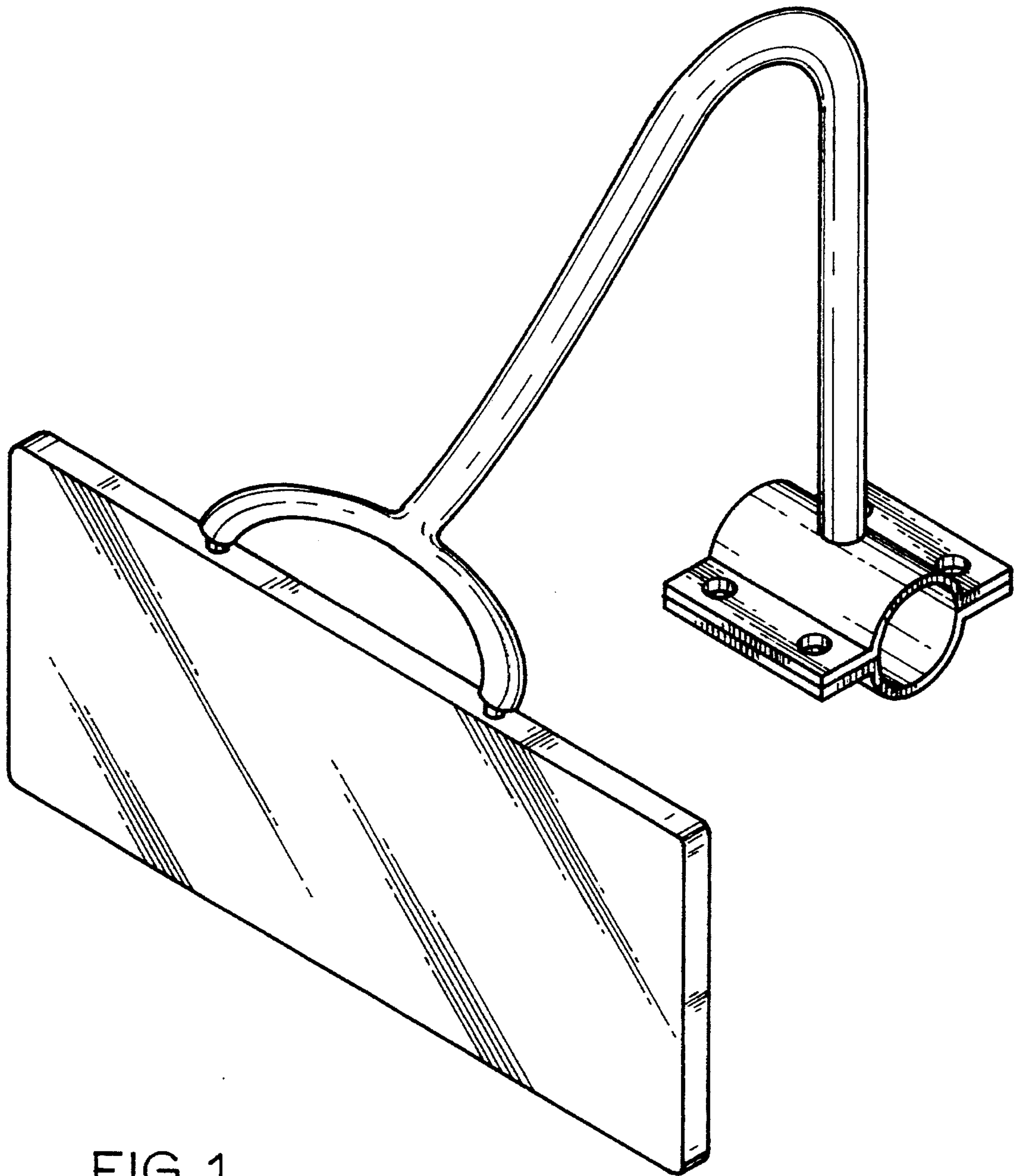


FIG. 1

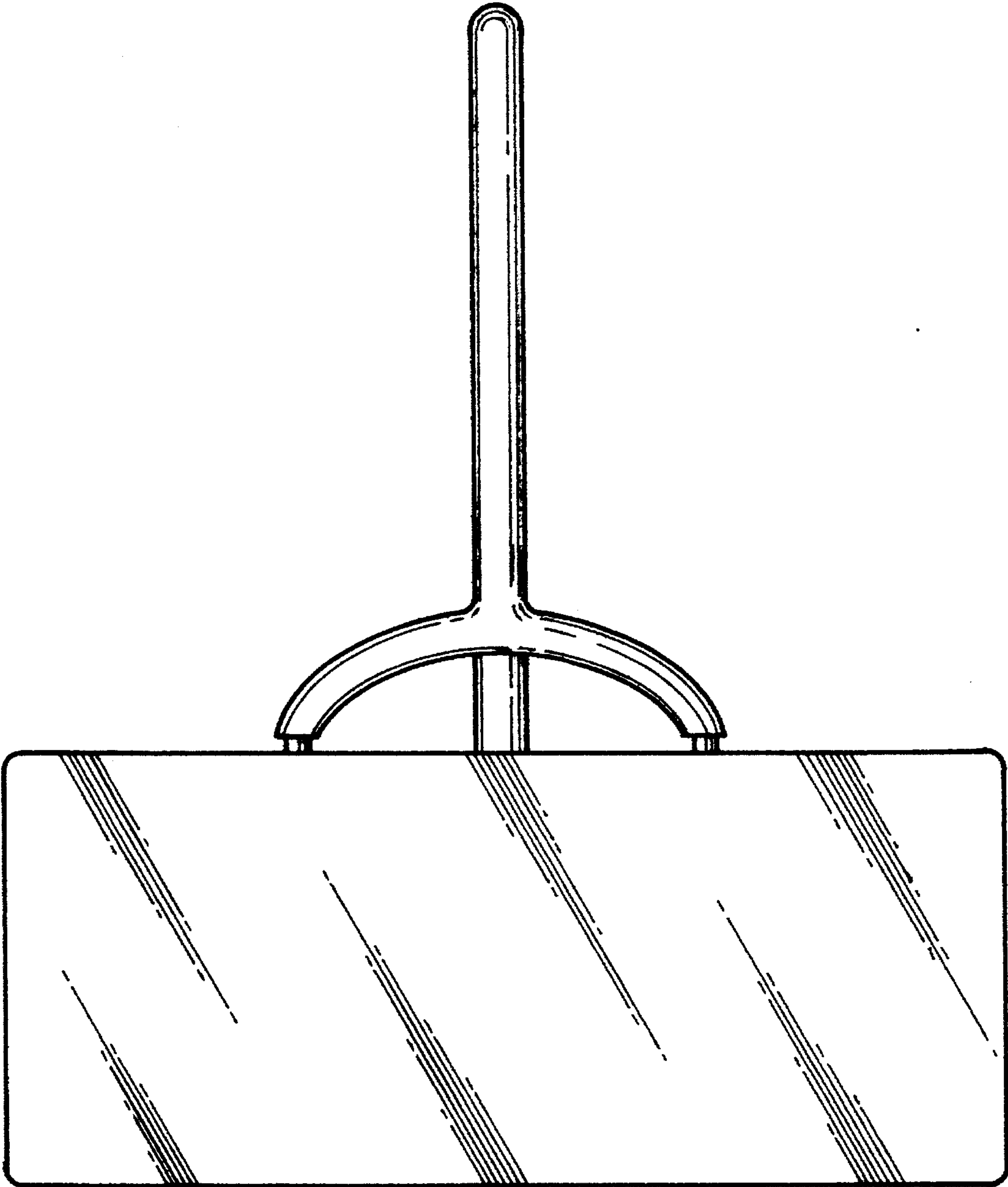


FIG. 2

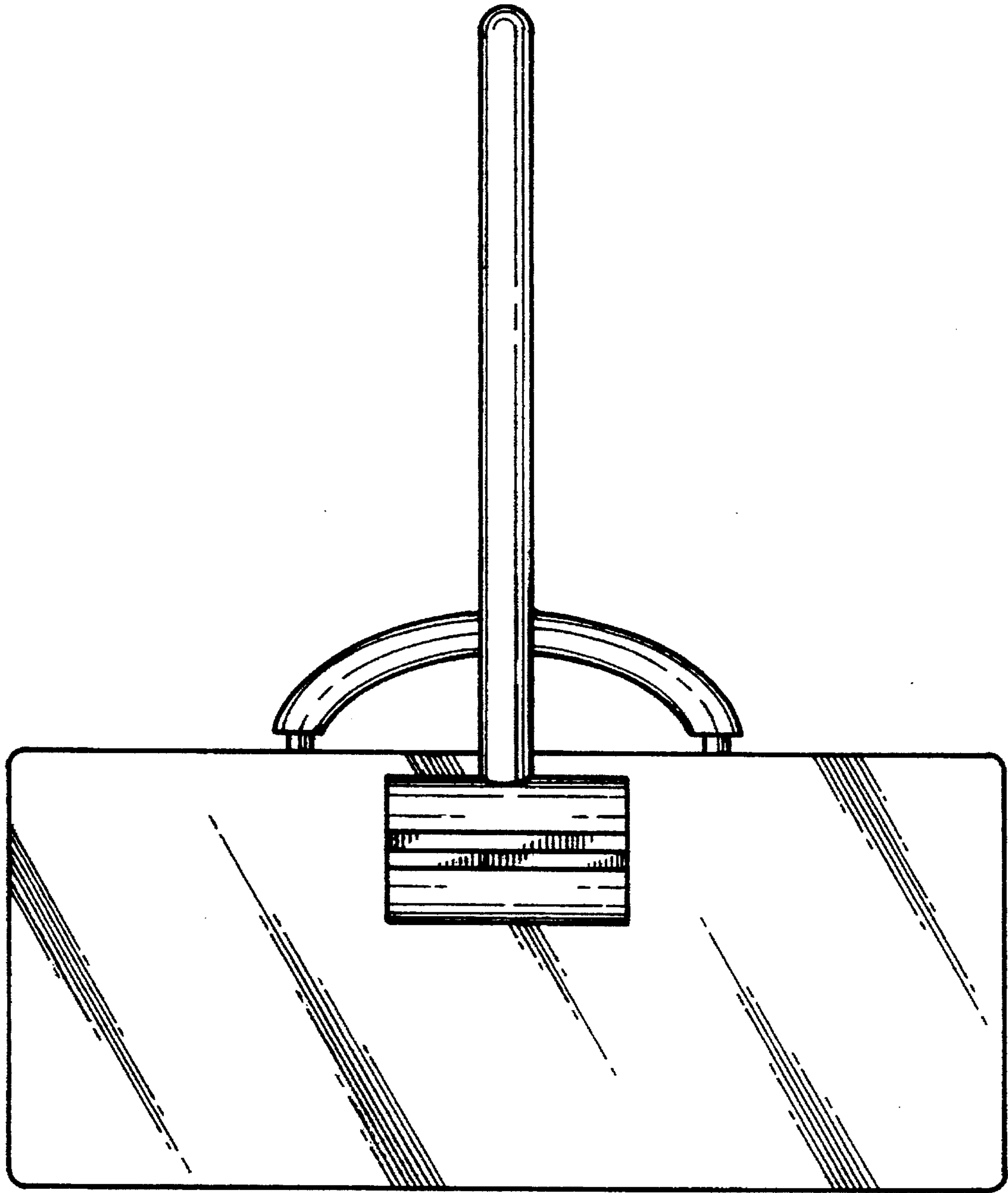


FIG. 3



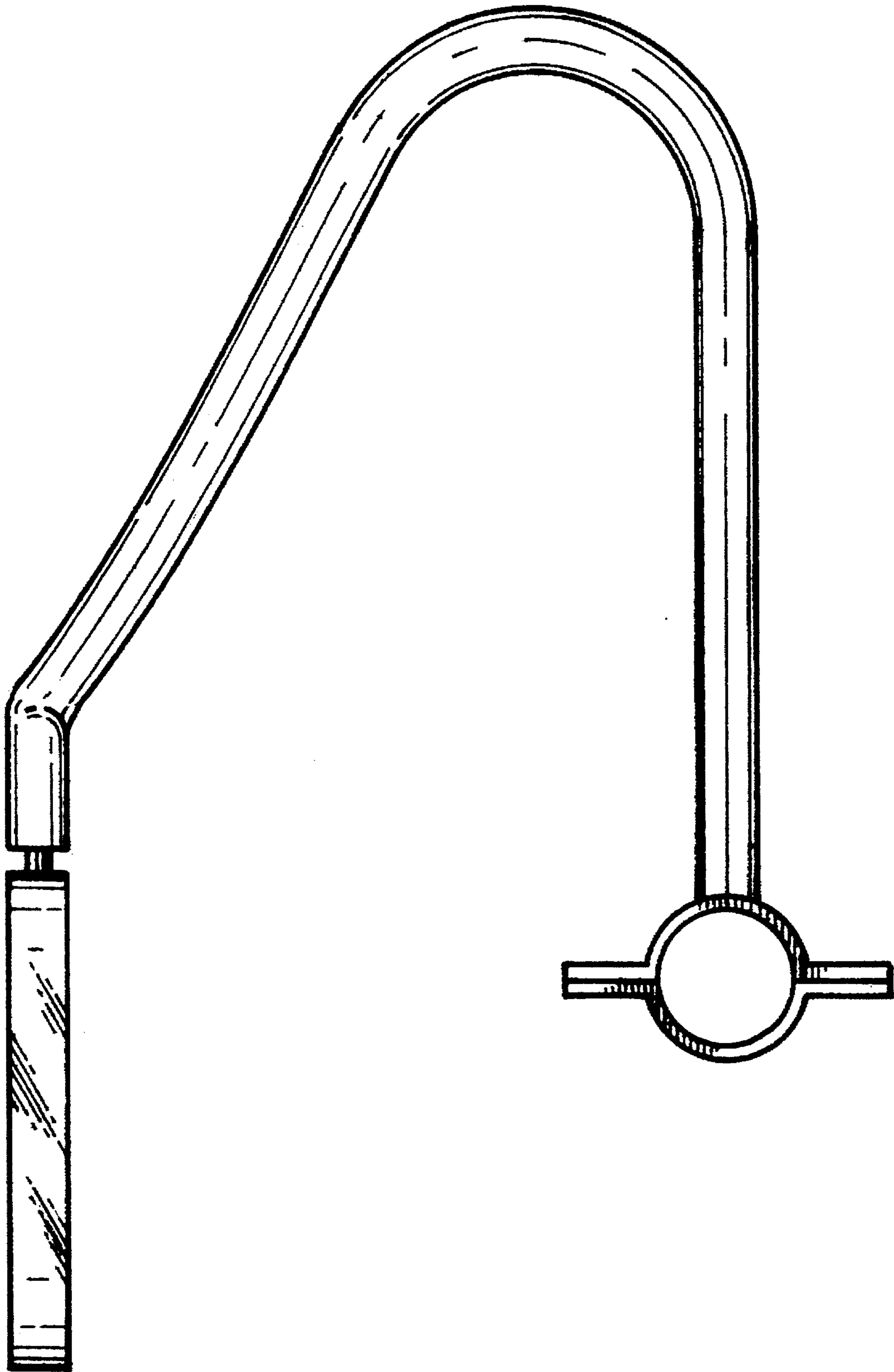


FIG. 4

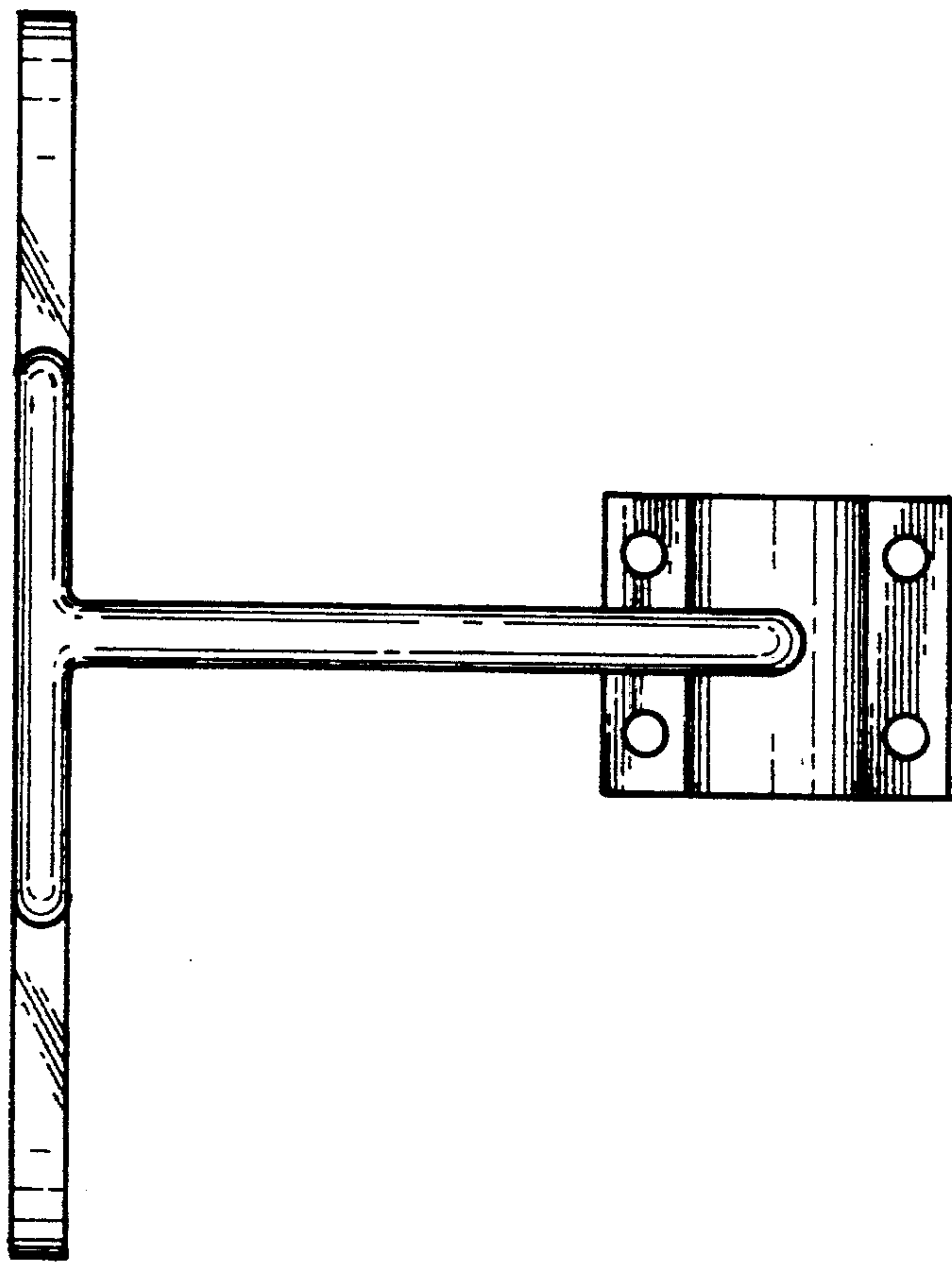


FIG. 5

FIG. 6

