



US00D364591S

United States Patent [19]

[11] Patent Number: **Des. 364,591**

Lewellen et al.

[45] Date of Patent: ****Nov. 28, 1995**

[54] VAN BODY

[75] Inventors: **Richard Lewellen; Robert M. Lapsley**, both of Wooster, Ohio

[73] Assignee: **Stahl/Scott Fetzer Company**, Wooster, Ohio

[**] Term: **14 Years**

[21] Appl. No.: **22,612**

[22] Filed: **May 9, 1994**

[52] U.S. Cl. **D12/96**

[58] Field of Search D12/96, 99, 100, D12/14, 98, 93, 405; 296/24.1, 37.6, 37.1, 183, 35.1, 10, 26, 164, 100, 99.1, 183

[56] References Cited

U.S. PATENT DOCUMENTS

D. 143,990	2/1946	Powers	D12/96
D. 236,820	9/1975	Hamel	D12/99
D. 256,348	8/1980	Galloway	D12/96
D. 257,970	1/1981	Handwerk	D12/96
D. 270,245	8/1983	Collins et al.	D12/96
D. 319,608	9/1991	Dodgen	D12/100
D. 346,571	5/1994	Lewellen et al.	D12/14
D. 351,823	10/1994	Lewellen et al.	D12/405
D. 352,484	11/1994	Mack et al.	D12/96

OTHER PUBLICATIONS

Commercial Car Journal, Jun. 1978, p. 218, The Delivery Truck.

Primary Examiner—A. Hugo Word
Assistant Examiner—M. Brown
Attorney, Agent, or Firm—Watts, Hoffmann, Fisher & Heinke

[57] CLAIM

The ornamental design for a van body as shown and described.

DESCRIPTION

FIG. 1 is a perspective view of a van body showing our new design;

FIG. 2 is a left side elevational view thereof, the right side elevational view being a mirror image thereof;

FIG. 3 is a bottom plan view thereof;

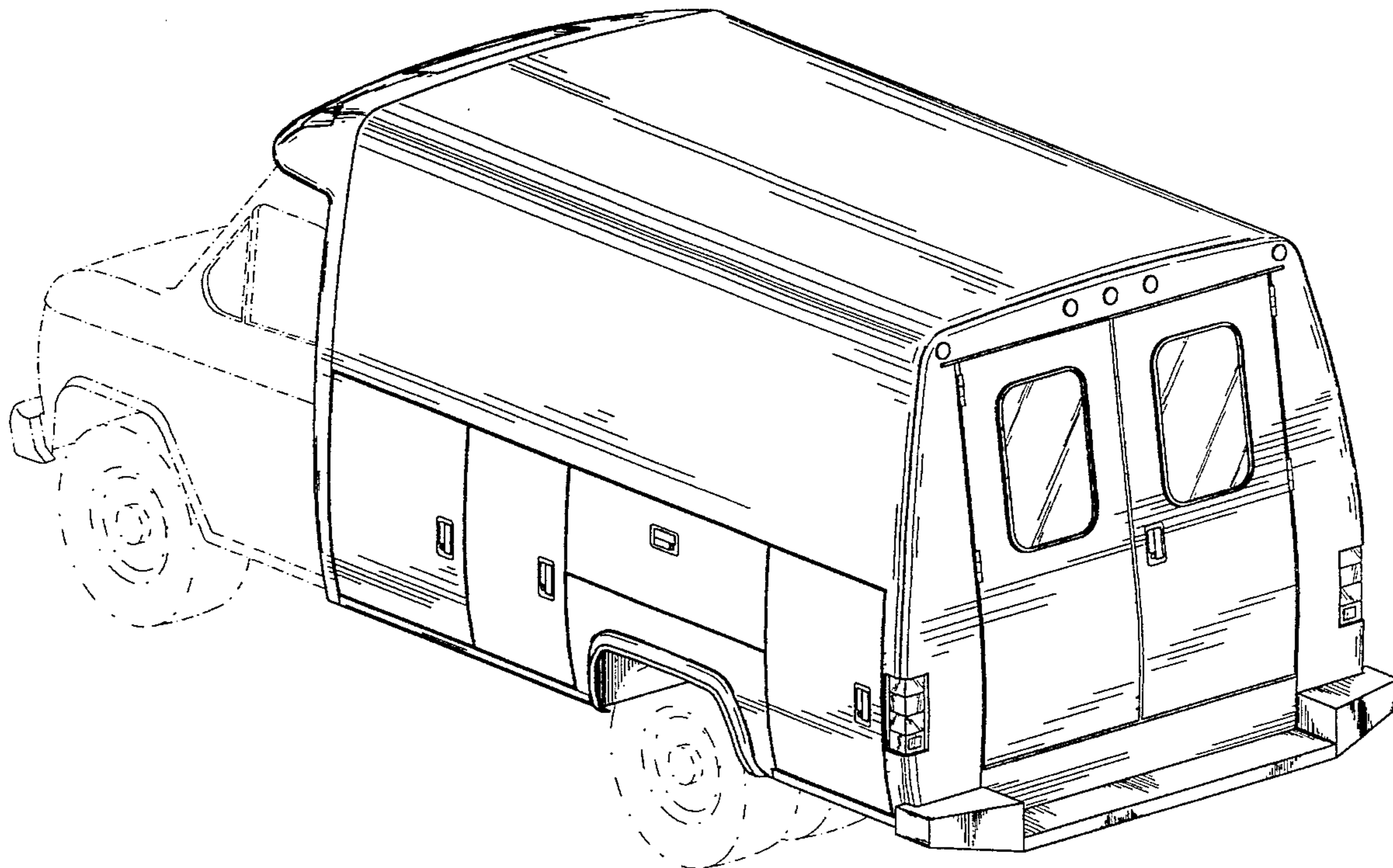
FIG. 4 is a top plan view thereof;

FIG. 5 is a front elevational view thereof; and,

FIG. 6 is a rear elevational view thereof.

The broken lines showing of environmental structure in the figures are for illustrative purposes only and form no part of the claimed design.

1 Claim, 5 Drawing Sheets



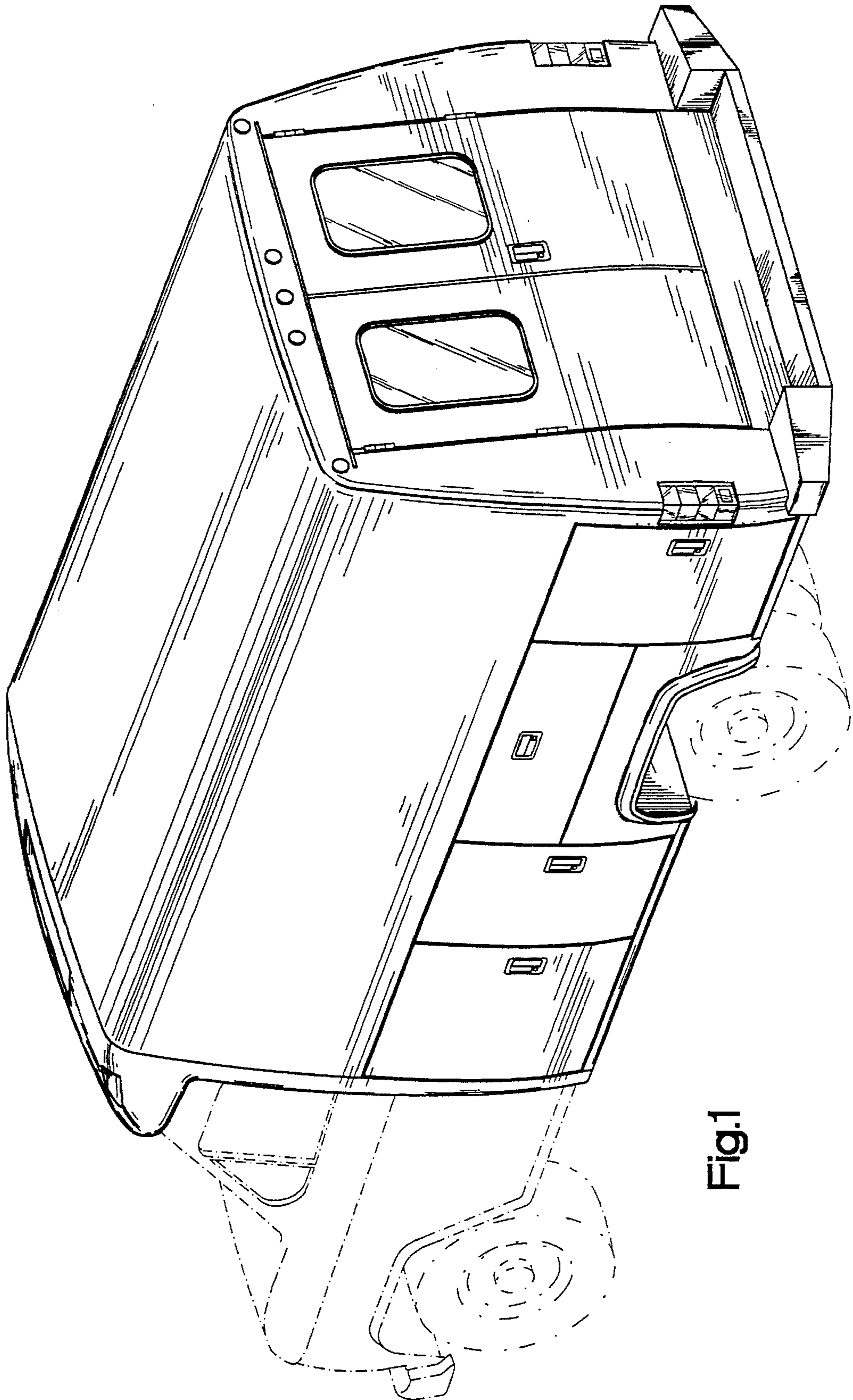


Fig.1

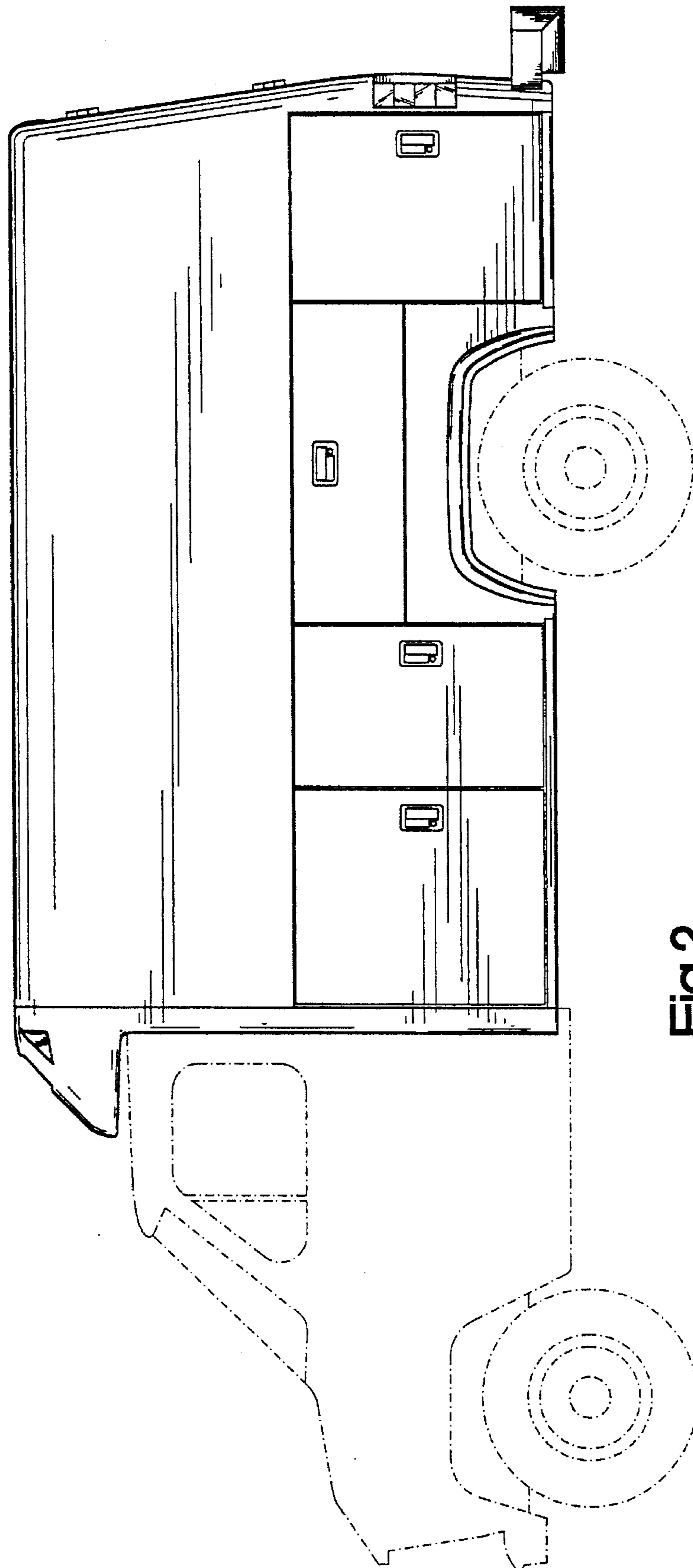


Fig.2

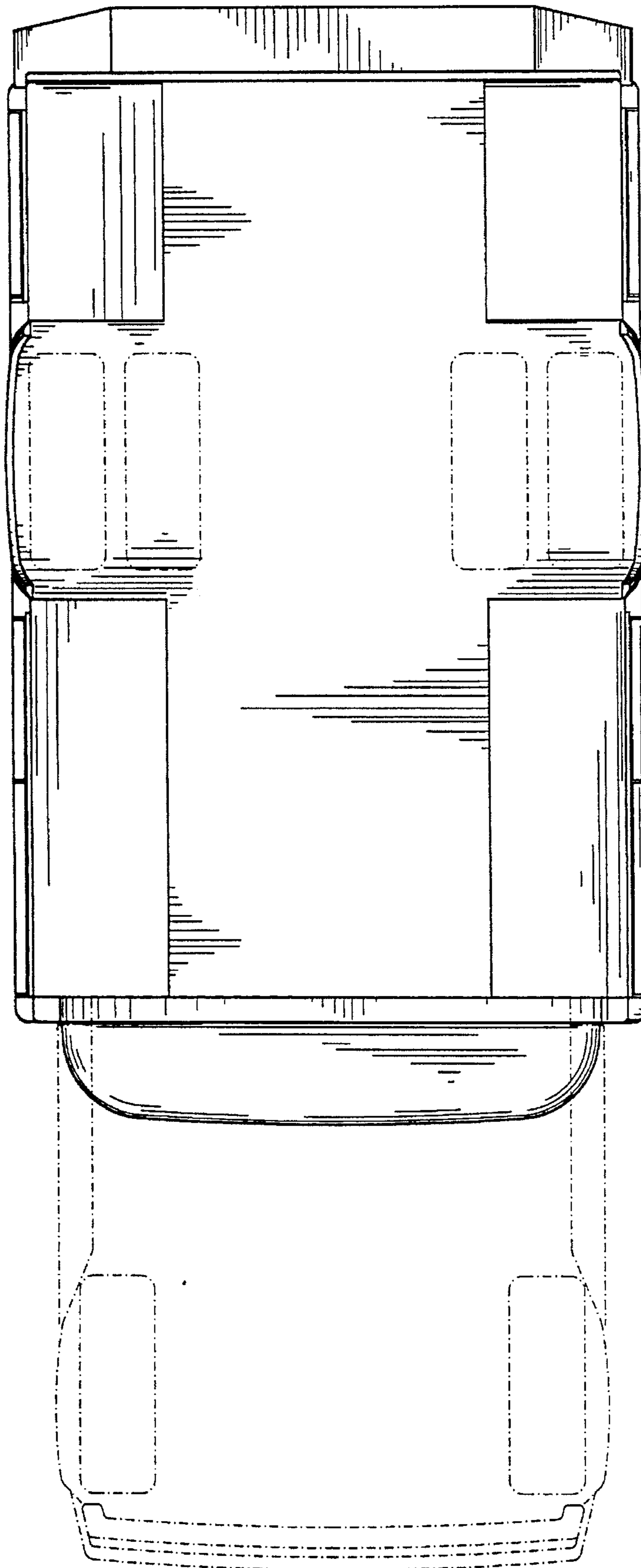


Fig.3

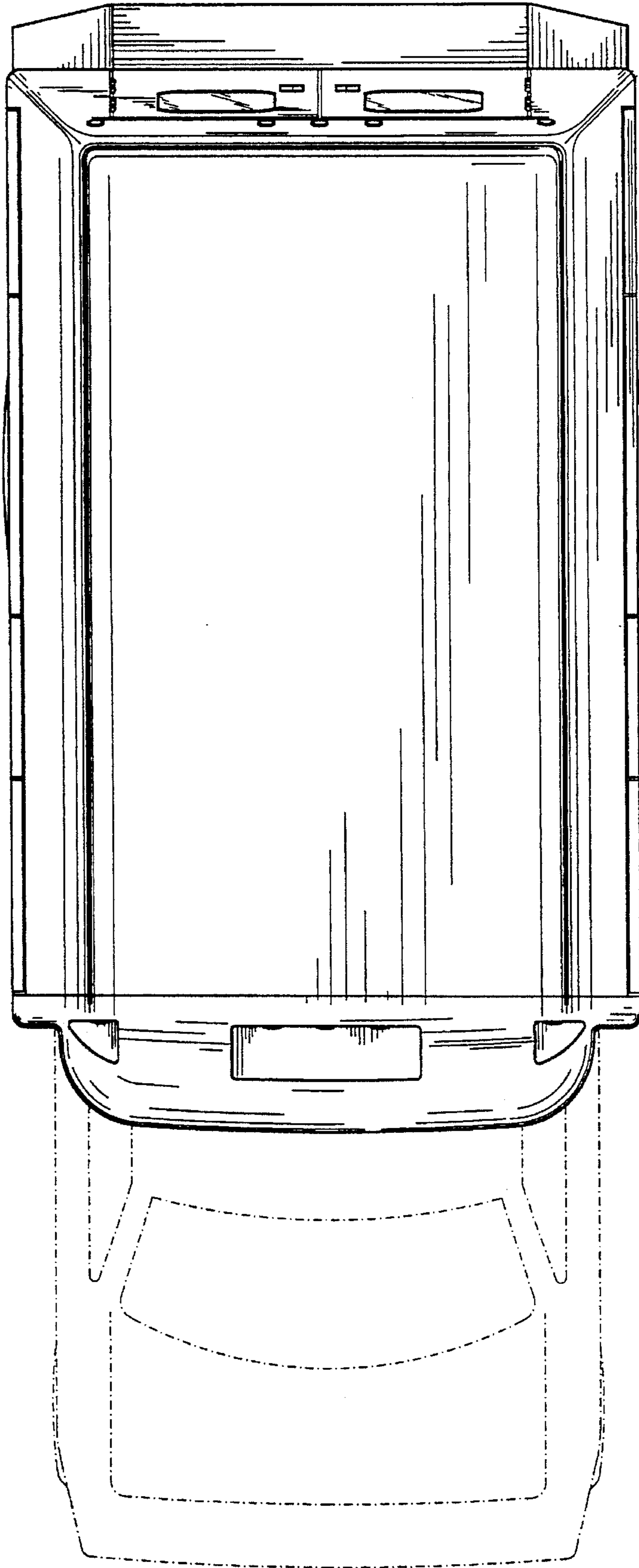


Fig.4

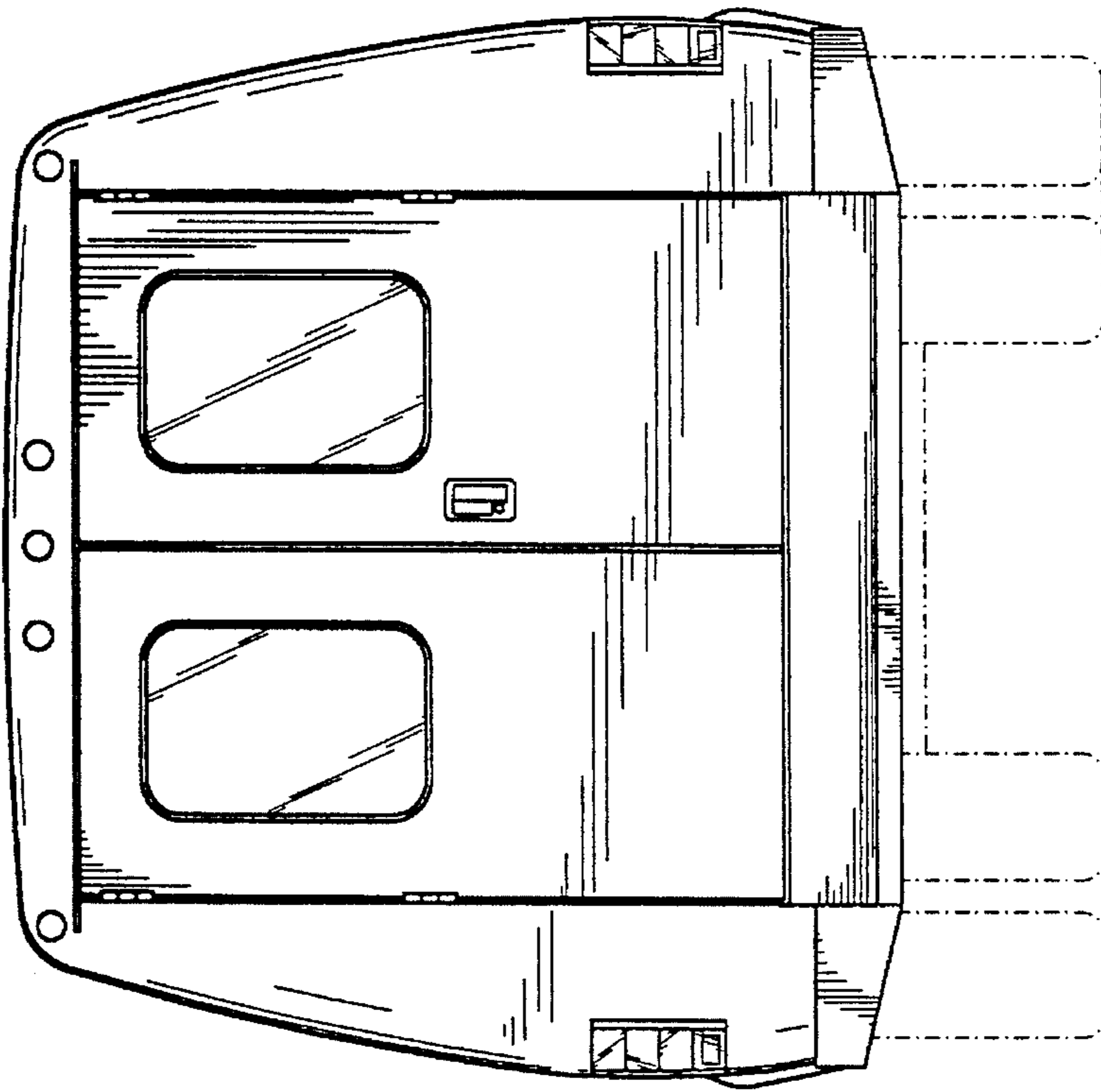


Fig.6

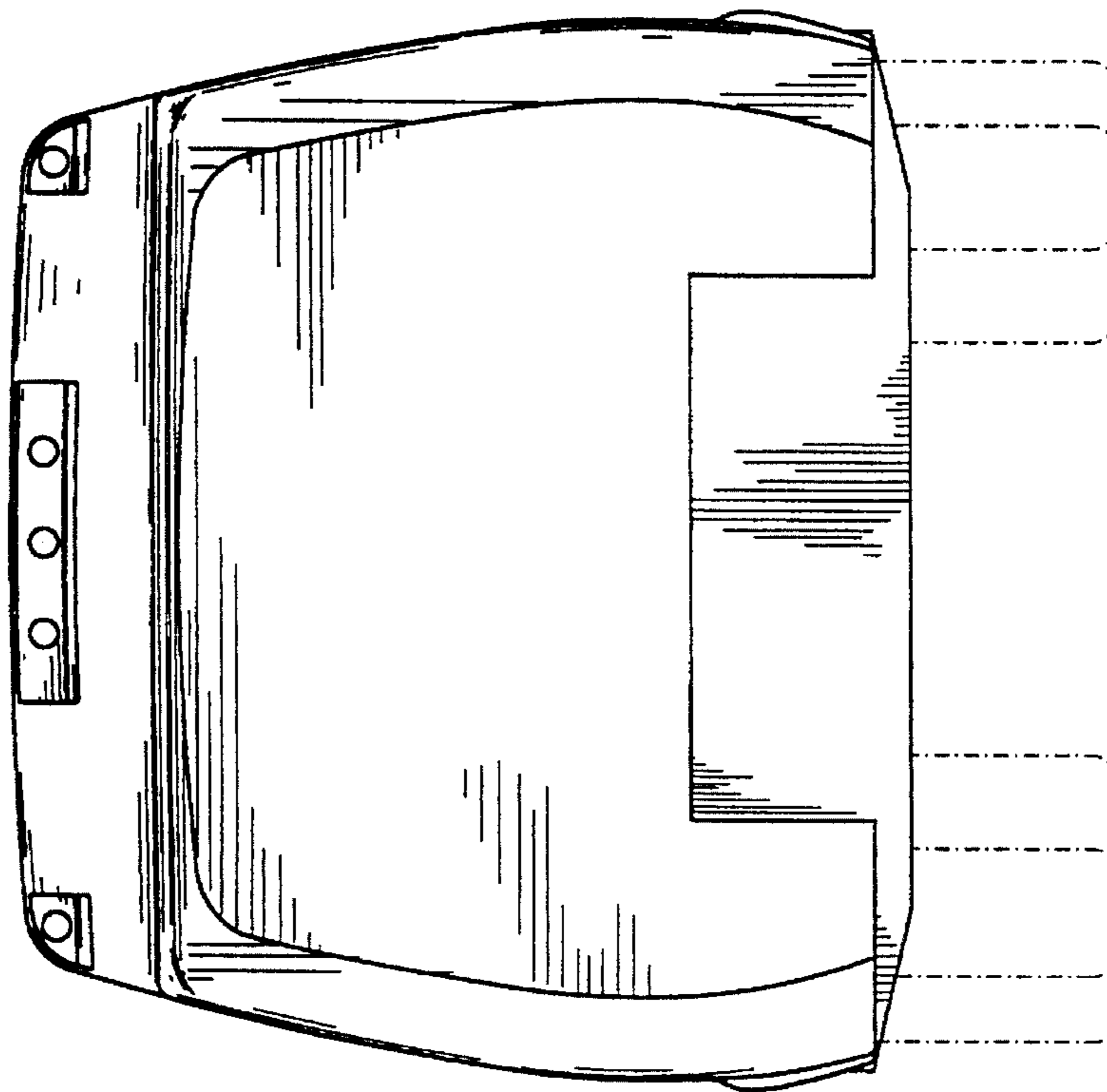


Fig.5