



US00D364588S

United States Patent [19]

Weder et al.

[11] Patent Number: **Des. 364,588**

[45] Date of Patent: ****Nov. 28, 1995**

[54] **FLOWER POT COVER**

[75] Inventors: **Donald E. Weder**, Highland, Ill.; **Jon S. Shryock**, Bethany, Okla.

[73] Assignee: **Highland Supply Corporation**, Highland, Ill.

[**] Term: **14 Years**

[21] Appl. No.: **9,457**

[22] Filed: **Jun. 11, 1993**

Related U.S. Application Data

[63] Continuation-in-part of Ser. No. 782,237, Oct. 18, 1991, Pat. No. Des. 349,076, which is a continuation-in-part of Ser. No. 617,454, Nov. 21, 1990, abandoned, and a continuation-in-part of Ser. No. 411,249, Sep. 22, 1989, Pat. No. Des. 358,113, and a continuation-in-part of Ser. No. 411,247, Sep. 22, 1989, and a continuation-in-part of Ser. No. 411,245, Sep. 22, 1989.

[52] U.S. Cl. **D11/164; D11/152**

[58] Field of Search D11/143, 149, D11/152-156, 164, 89, 90; 47/66, 72; 206/423; 215/100.5; 229/1.5 R, 1.5 B, 4.5, 87.01, 922, 930, 108, 108.1, 109, 110, 400; 428/27, 35.1, 24, 542.6; D9/346, 428-431; D27/102, 133; D26/128-136; D19/96; D7/540, 584, 586, 587, 354

[56] **References Cited**

U.S. PATENT DOCUMENTS

D. 239,192	3/1976	Wiles et al.	D35/3 A
D. 254,659	4/1980	Karotseris	D11/143
D. 292,182	10/1987	Weder et al.	D11/164
D. 292,562	11/1987	Weder et al.	D11/164
D. 293,224	12/1987	Weder et al.	D11/164
D. 293,775	1/1988	Weder et al.	D11/164
D. 317,583	6/1991	Weder et al.	D11/164
D. 322,403	12/1991	Eaton	D9/429
D. 324,659	3/1992	Stehouwer	D11/143
D. 349,076	7/1994	Weder et al.	D11/164
1,951,642	3/1934	Augustin et al.	47/34
2,355,559	8/1944	Renner	229/8
2,827,217	3/1958	Clement	229/1.5 R

3,443,741	5/1969	Stockdale	D9/431 X
4,043,077	8/1977	Stonehocker	47/66
4,712,725	12/1987	Moore	229/8
5,076,011	12/1991	Stehouwer	47/72

FOREIGN PATENT DOCUMENTS

2489126	3/1982	France .
2603159	3/1988	France .

OTHER PUBLICATIONS

Ex. A—Speed Cover Brochure—The Simple Solution . . . 1989.

Primary Examiner—Jeffrey Asch
Attorney, Agent, or Firm—Dunlap & Coddling

[57] **CLAIM**

The ornamental design for a flower pot cover, as shown and described.

DESCRIPTION

FIG. 1 is a perspective view of our new flower pot cover design;
 FIG. 2 is a side elevational view thereof;
 FIG. 3 is a top plan view thereof;
 FIG. 4 is a bottom plan view thereof;
 FIG. 5 is a side elevational view of the design of FIG. 1, the only difference being in the horizontal angle of the skirt;
 FIG. 6 is a side elevational view of the design of FIG. 1, the only difference being in the near vertical angle of the skirt;
 FIG. 7 is a side elevational view of the design of FIG. 1, the only difference being in the downward angle of the skirt;
 FIG. 8 is a side elevational view of a second embodiment of the design of FIG. 1, the only difference being in the height of the base;
 FIG. 9 is a side elevational view of a third embodiment of the design of FIG. 1, the only difference being in the height of the base;
 FIG. 10 is a side elevational view of a fourth embodiment of the design of FIG. 1, the only difference being in the size of the skirt;
 FIG. 11 is a side elevational view of a fifth embodiment of the design of FIG. 1, the only difference being in the size of the skirt;

(Description continued on next page.)

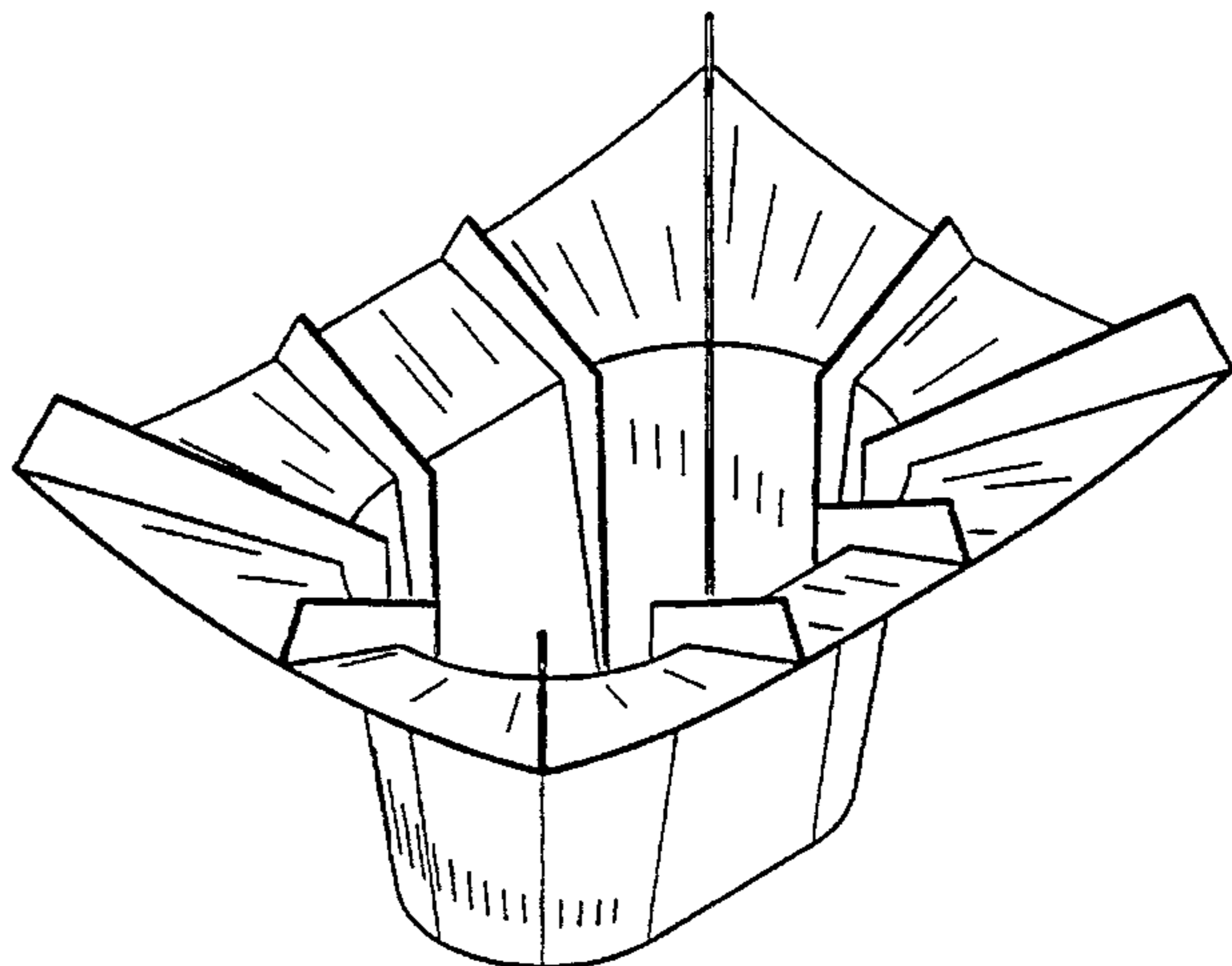
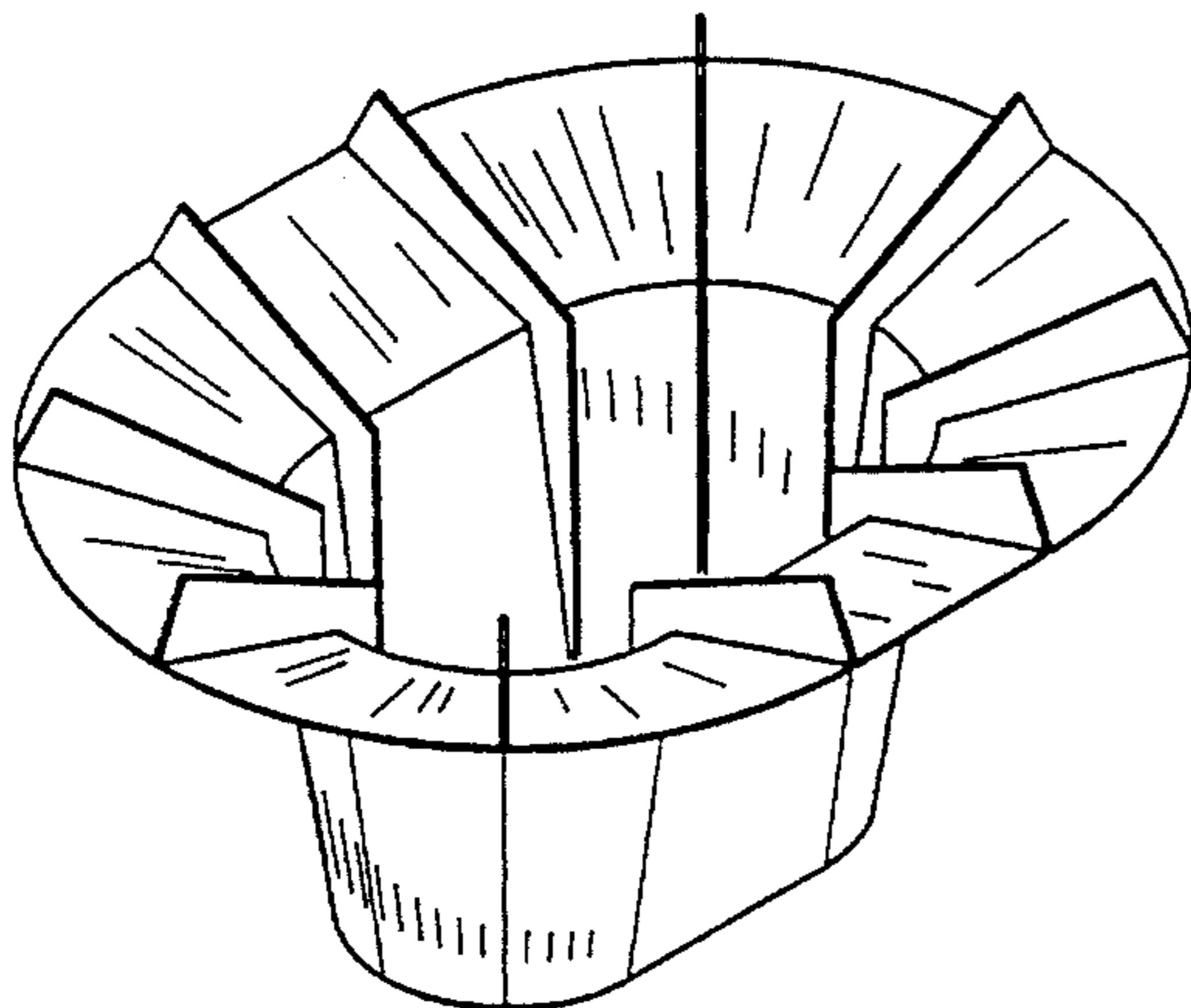


FIG. 12 is a perspective view of a sixth embodiment of our new flower pot cover design;

FIG. 13 is a side elevational view thereof;

FIG. 14 is a top plan view thereof;

FIG. 15 is a bottom plan view thereof;

FIG. 16 is a side elevational view of the design of FIG. 12, the only difference being in the horizontal angle of the skirt;

FIG. 17 is a side elevational view of the design of FIG. 12, the only difference being in the near vertical angle of the skirt;

FIG. 18 is a side elevational view of the design of FIG. 12, the only difference being in the downward angle of the skirt;

FIG. 19 is a side elevational view of a seventh embodiment of the flower pot cover design, the only difference being in the height of the base;

FIG. 20 is a side elevational view of an eighth embodiment of the flower pot cover design, the only difference being in the height of the base;

FIG. 21 is a side elevational view of a ninth embodiment of the flower pot cover design, the only difference being in the size of the skirt;

FIG. 22 is a side elevational view of a tenth embodiment of the flower pot cover design, the only difference being in the size of the skirt;

FIG. 23 is a perspective view of an eleventh embodiment of our new flower pot cover design;

FIG. 24 is a side elevational view thereof;

FIG. 25 is a top plan view thereof;

FIG. 26 is a bottom plan view thereof;

FIG. 27 is a side elevational view of the design of FIG. 23, the only difference being in the horizontal angle of the skirt;

FIG. 28 is a side elevational view of the design of FIG. 23, the only difference being in the near vertical angle of the skirt;

FIG. 29 is a side elevational view of the design of FIG. 23, the only difference being in the downward angle of the skirt;

FIG. 30 is a side elevational view of a twelfth embodiment of the flower pot cover design, the only difference being in the height of the base;

FIG. 31 is a side elevational view of an thirteenth embodiment of the flower pot cover design, the only difference being in the height of the base;

FIG. 32 is a side elevational view of a fourteenth embodiment of the flower pot cover design, the only difference being in the size of the skirt;

FIG. 33 is a side elevational view of a fifteenth embodiment of the flower pot cover design, the only difference being in the size of the skirt;

FIG. 34 is a perspective view of an sixteenth embodiment of our new flower pot cover design;

FIG. 35 is a side elevational view thereof;

FIG. 36 is a top plan view thereof;

FIG. 37 is a bottom plan view thereof;

FIG. 38 is a side elevational view of the design of FIG. 34, the only difference being in the horizontal angle of the skirt;

FIG. 39 is a side elevational view of the design of FIG. 34, the only difference being in the near vertical angle of the skirt;

FIG. 40 is a side elevational view of the design of FIG. 34, the only difference being in the downward angle of the skirt;

FIG. 41 is a side elevational view of a seventeenth embodiment of the flower pot cover design, the only difference

being in the height of the base;

FIG. 42 is a side elevational view of an eighteenth embodiment of the flower pot cover design, the only difference being in the height of the base;

FIG. 43 is a side elevational view of a nineteenth embodiment of the flower pot cover design, the only difference being in the size of the skirt;

FIG. 44 is a side elevational view of a twentieth embodiment of the flower pot cover design, the only difference being in the size of the skirt;

FIG. 45 is a perspective view of an twenty-first embodiment of our new flower pot cover design;

FIG. 46 is a side elevational view thereof;

FIG. 47 is a top plan view thereof;

FIG. 48 is a bottom plan view thereof;

FIG. 49 is a side elevational view of the design of FIG. 45, the only difference being in the horizontal angle of the skirt;

FIG. 50 is a side elevational view of the design of FIG. 45, the only difference being in the near vertical angle of the skirt;

FIG. 51 is a side elevational view of the design of FIG. 45, the only difference being in the downward angle of the skirt;

FIG. 52 is a side elevational view of a twenty-second embodiment of the flower pot cover design, the only difference being in the height of the base;

FIG. 53 is a side elevational view of an twenty-third embodiment of the flower pot cover design, the only difference being in the height of the base;

FIG. 54 is a side elevational view of a twenty-fourth embodiment of the flower pot cover design, the only difference being in the size of the skirt;

FIG. 55 is a side elevational view of a twenty-fifth embodiment of the flower pot cover design, the only difference being in the size of the skirt;

FIG. 56 is a perspective view of an twenty-sixth embodiment of our new flower pot cover design;

FIG. 57 is a side elevational view thereof;

FIG. 58 is a top plan view thereof;

FIG. 59 is a bottom plan view thereof;

FIG. 60 is a side elevational view of the design of FIG. 56, the only difference being in the horizontal angle of the skirt;

FIG. 61 is a side elevational view of the design of FIG. 56, the only difference being in the near vertical angle of the skirt;

FIG. 62 is a side elevational view of the design of FIG. 56, the only difference being in the downward angle of the skirt;

FIG. 63 is a side elevational view of a twenty-seventh embodiment of the flower pot cover design, the only difference being in the height of the base;

FIG. 64 is a side elevational view of an twenty-eighth embodiment of the flower pot cover design, the only difference being in the height of the base;

FIG. 65 is a side elevational view of a twenty-ninth embodiment of the flower pot cover design, the only difference being in the size of the skirt; and,

FIG. 66 is a side elevational view of a thirtieth embodiment of the flower pot cover design, the only difference being in the size of the skirt.

The flower pot cover has no substantial thickness.

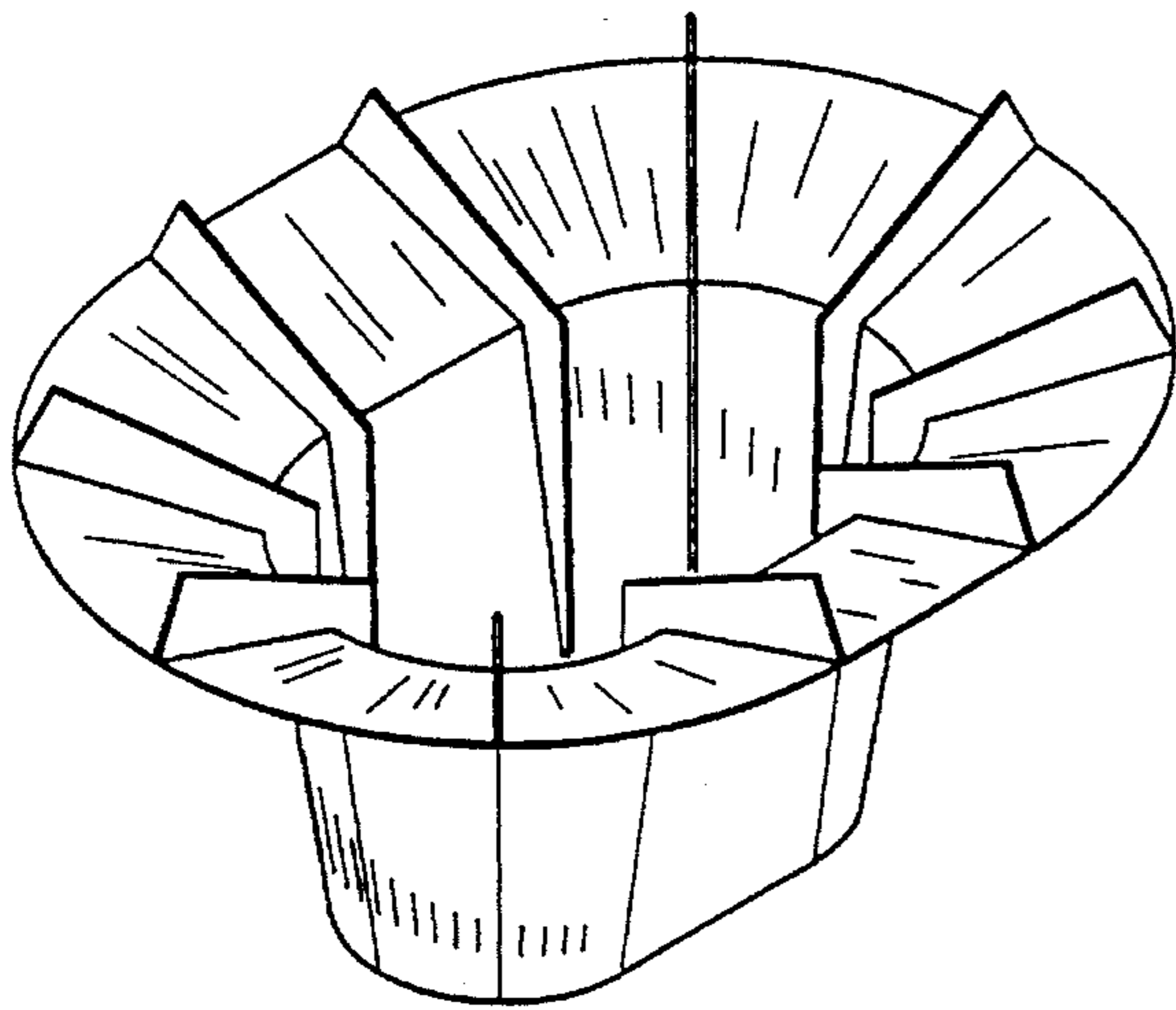


FIG. 1

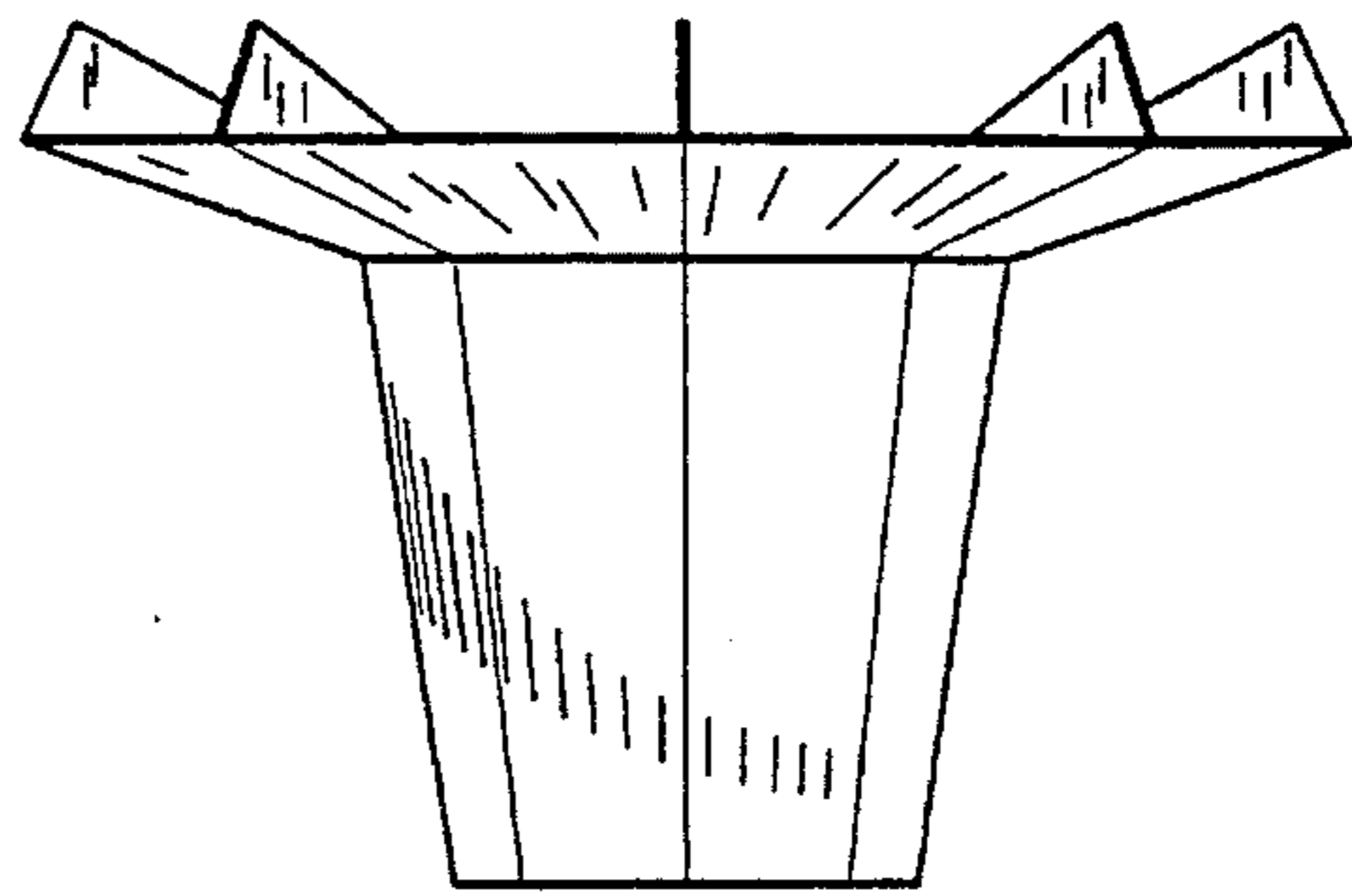


FIG. 2

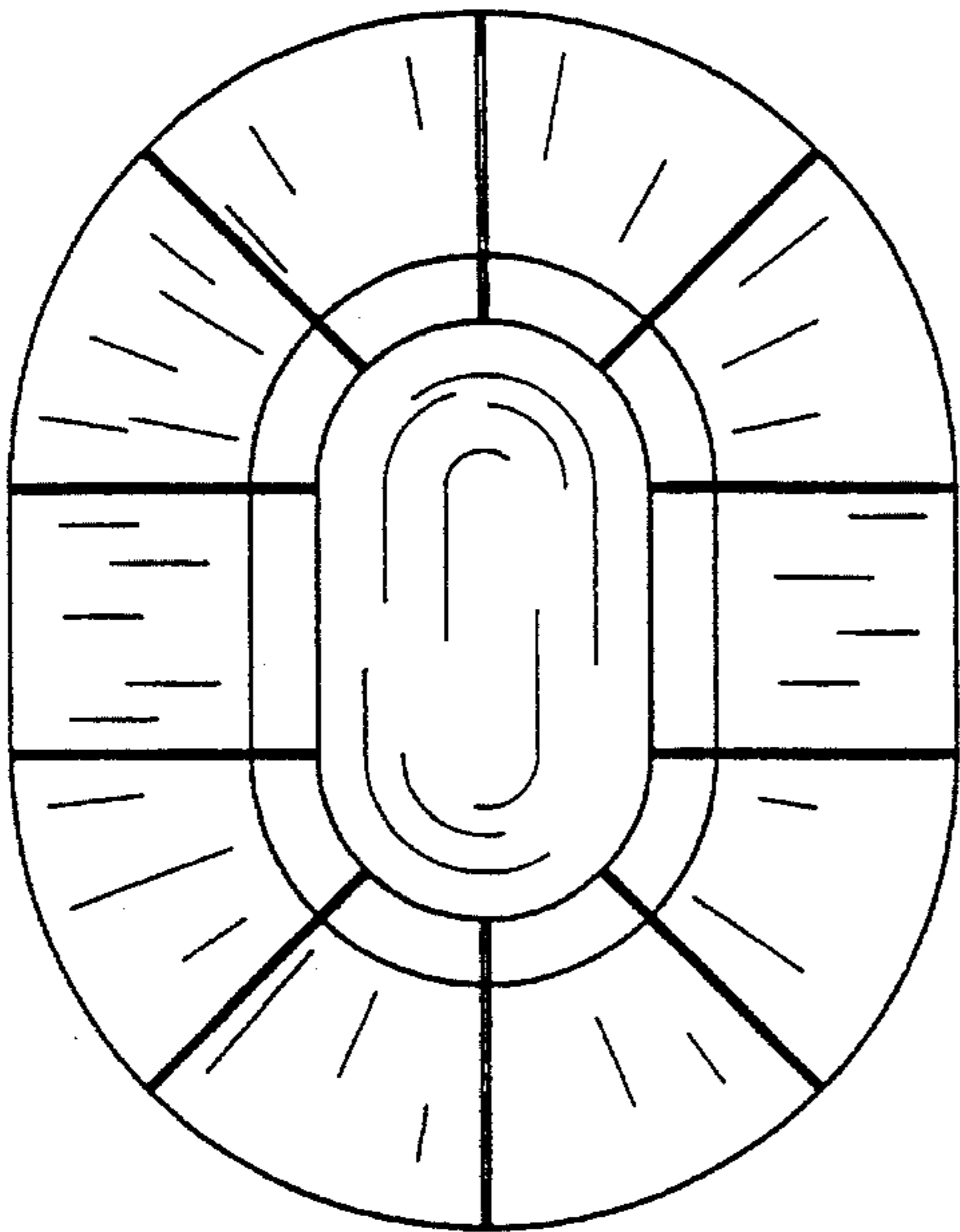


FIG. 3

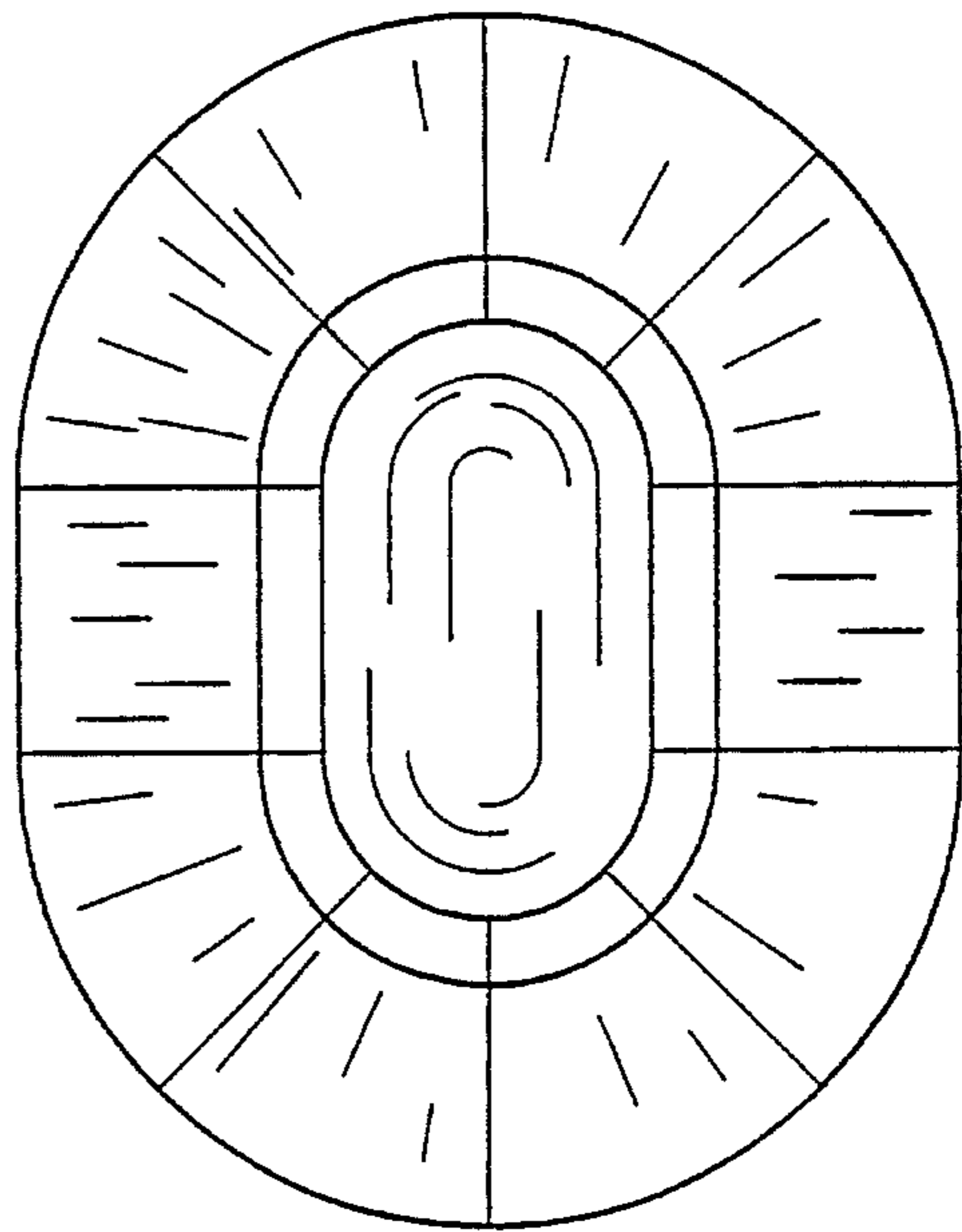


FIG. 4

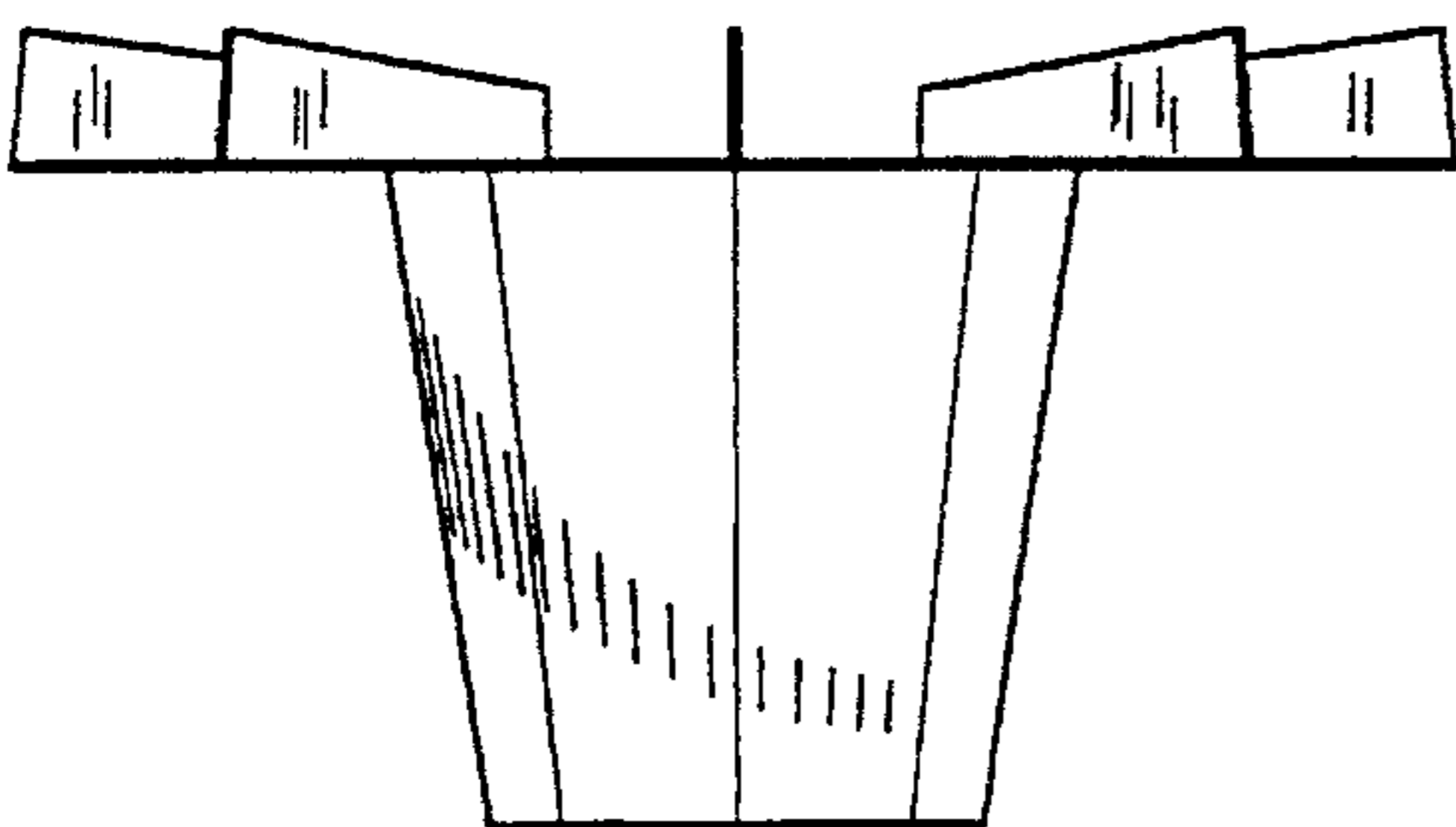


FIG. 5

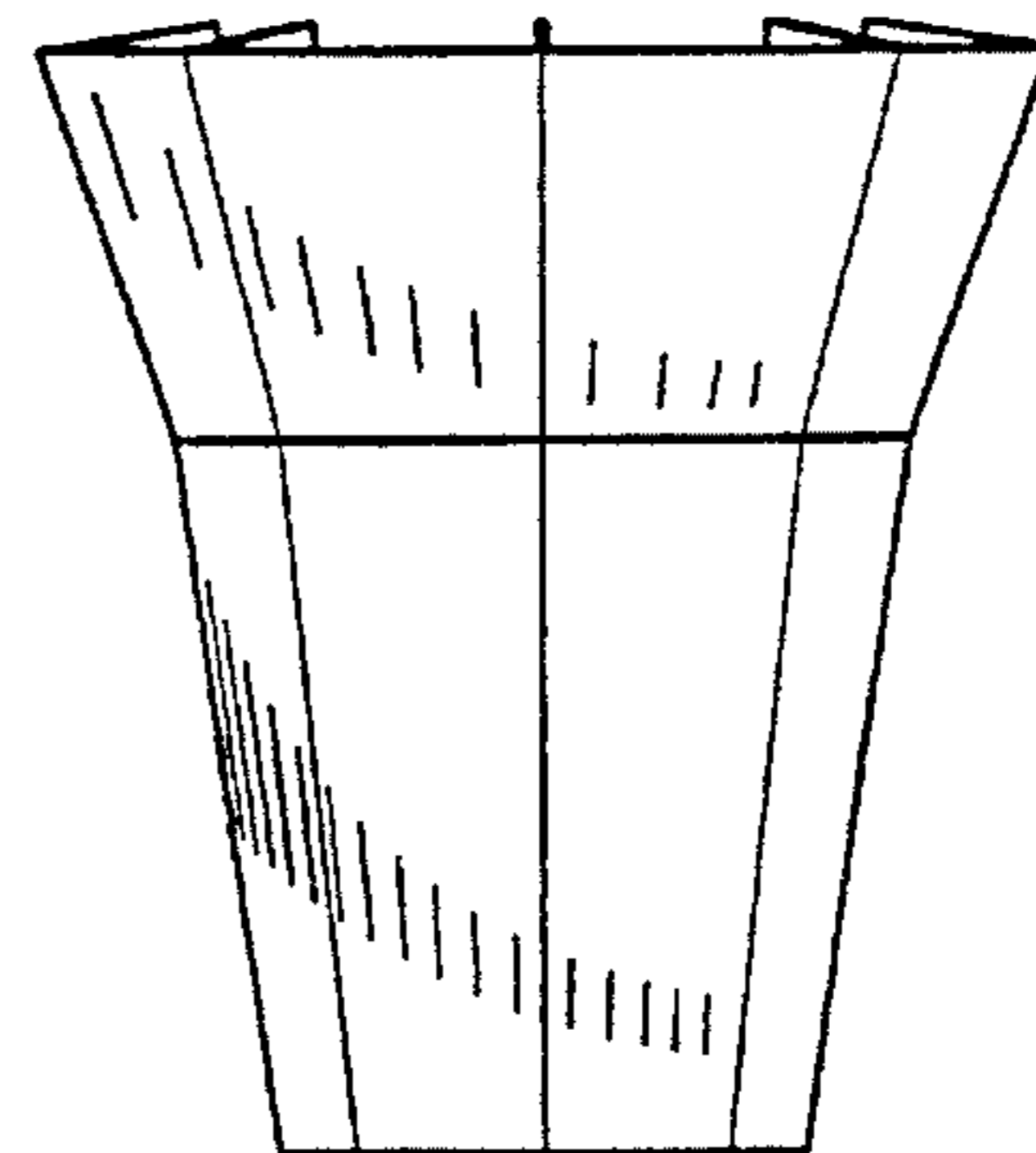


FIG. 6

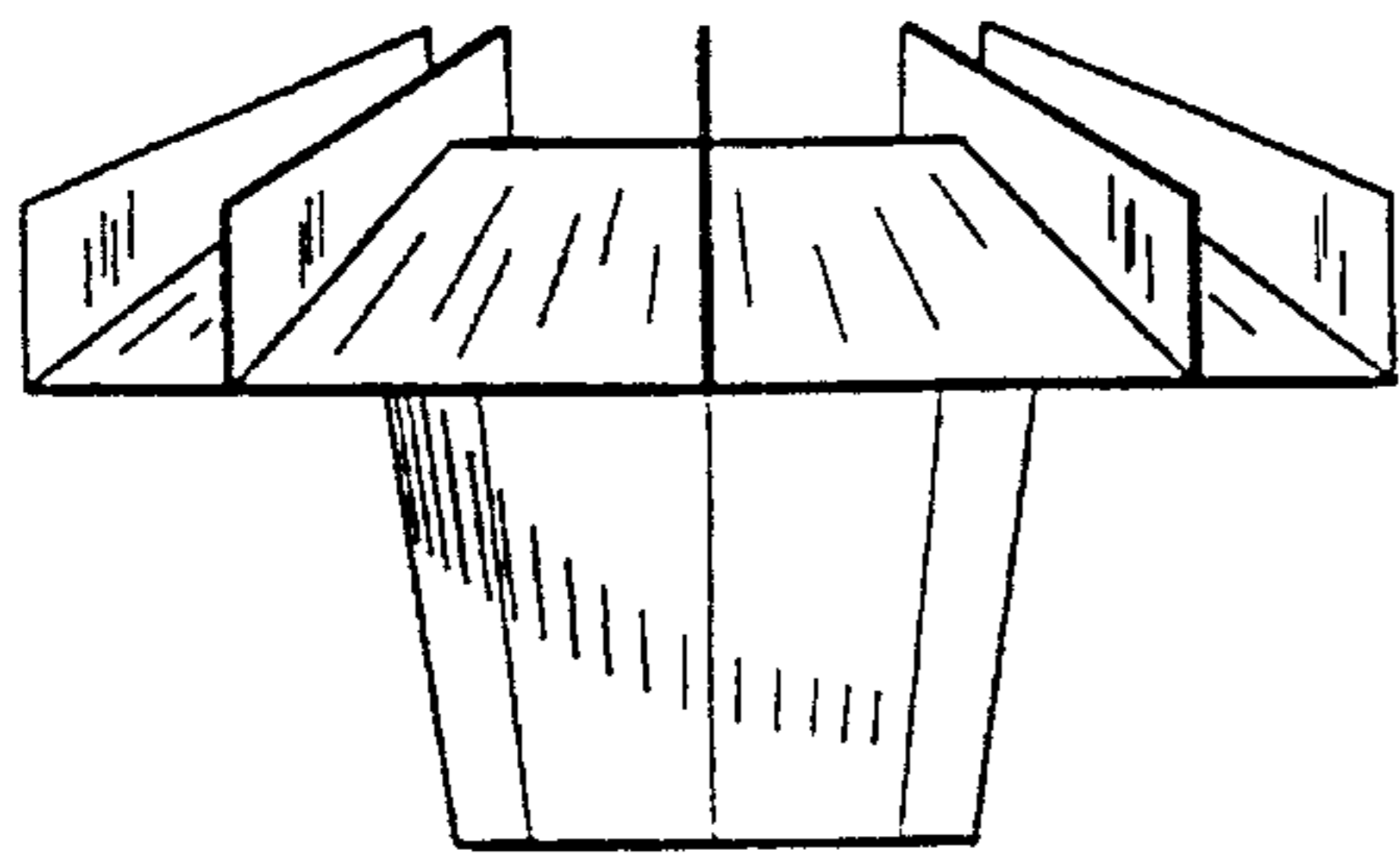


FIG. 7

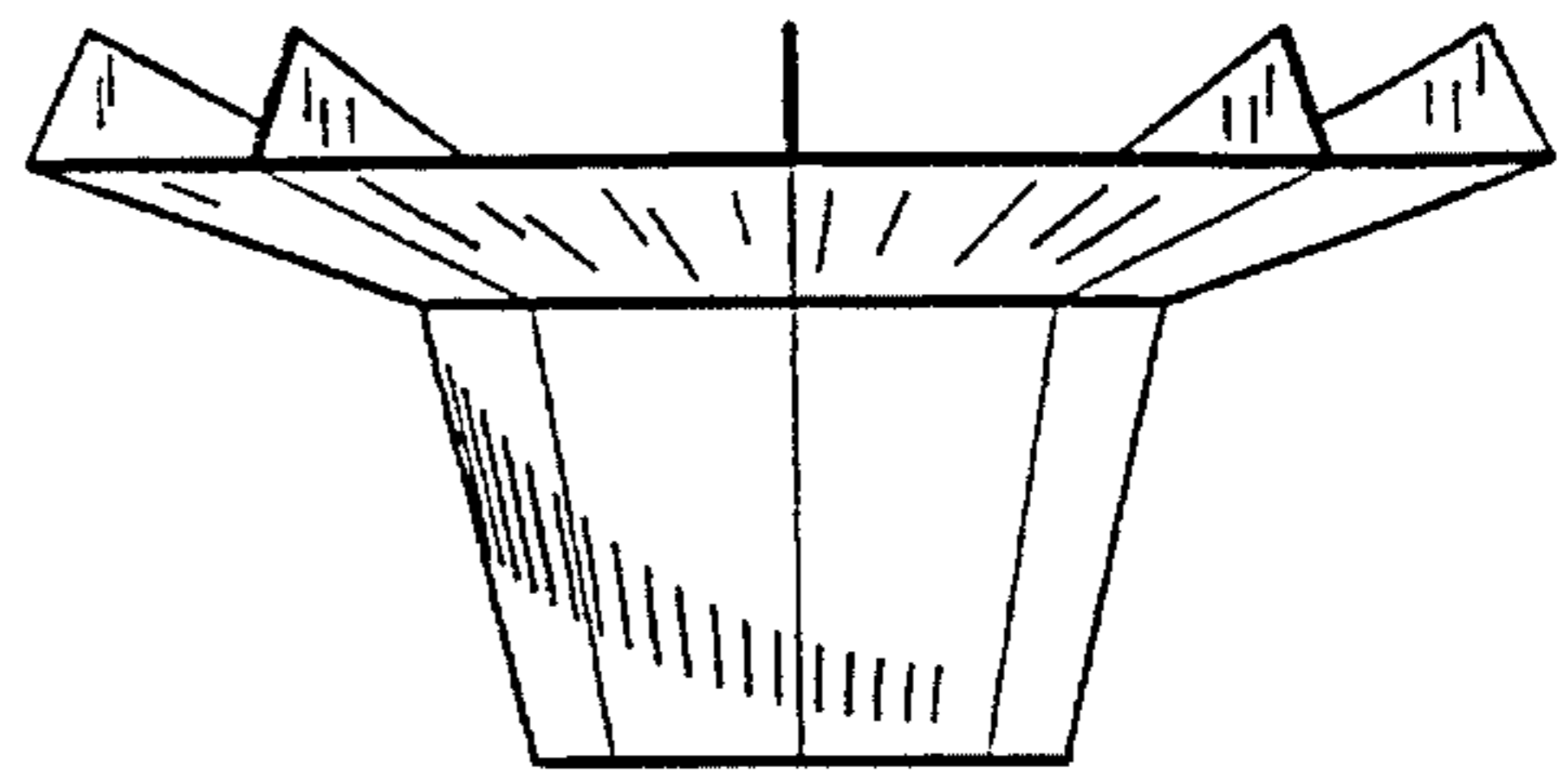


FIG. 8

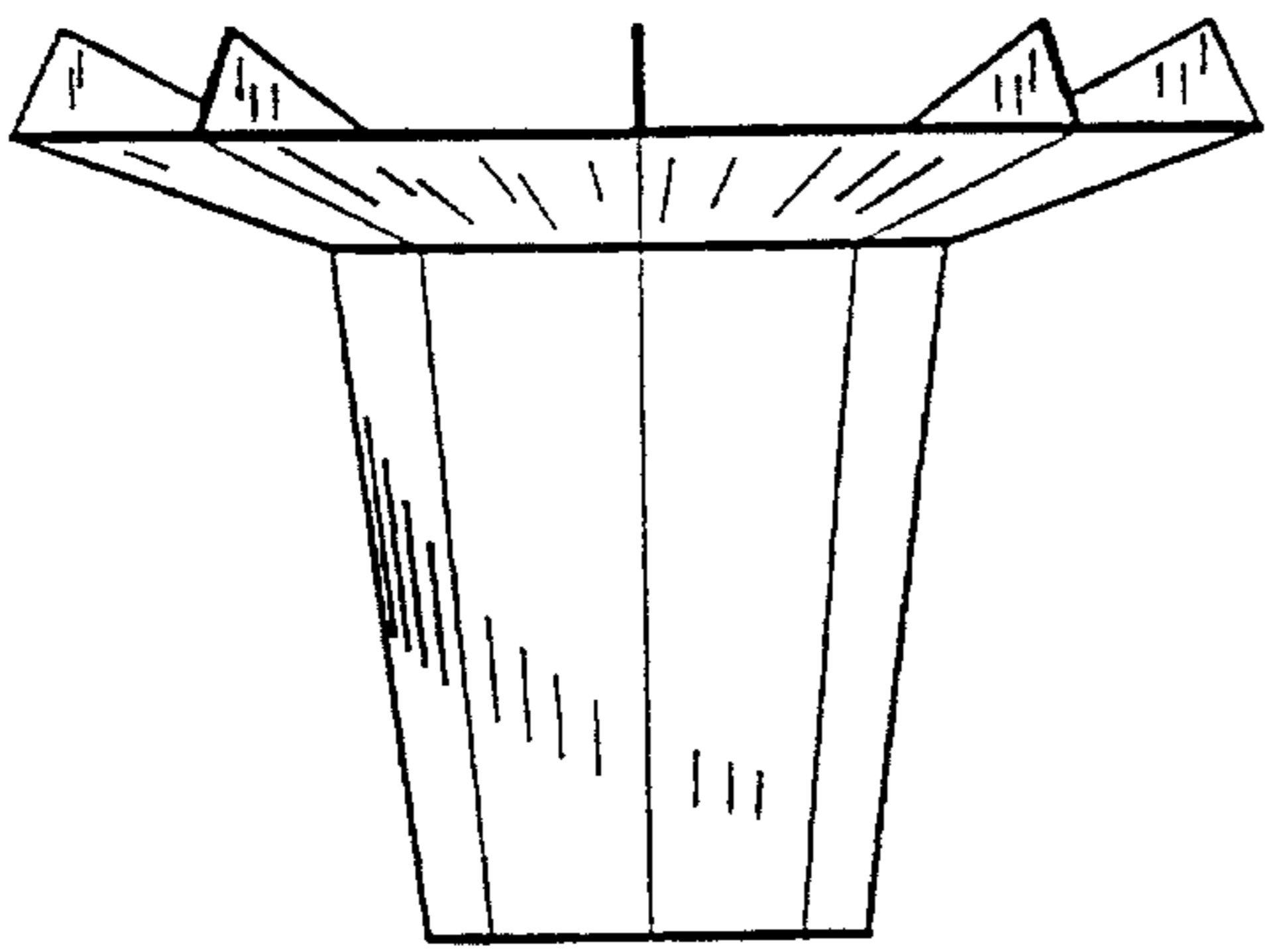


FIG. 9

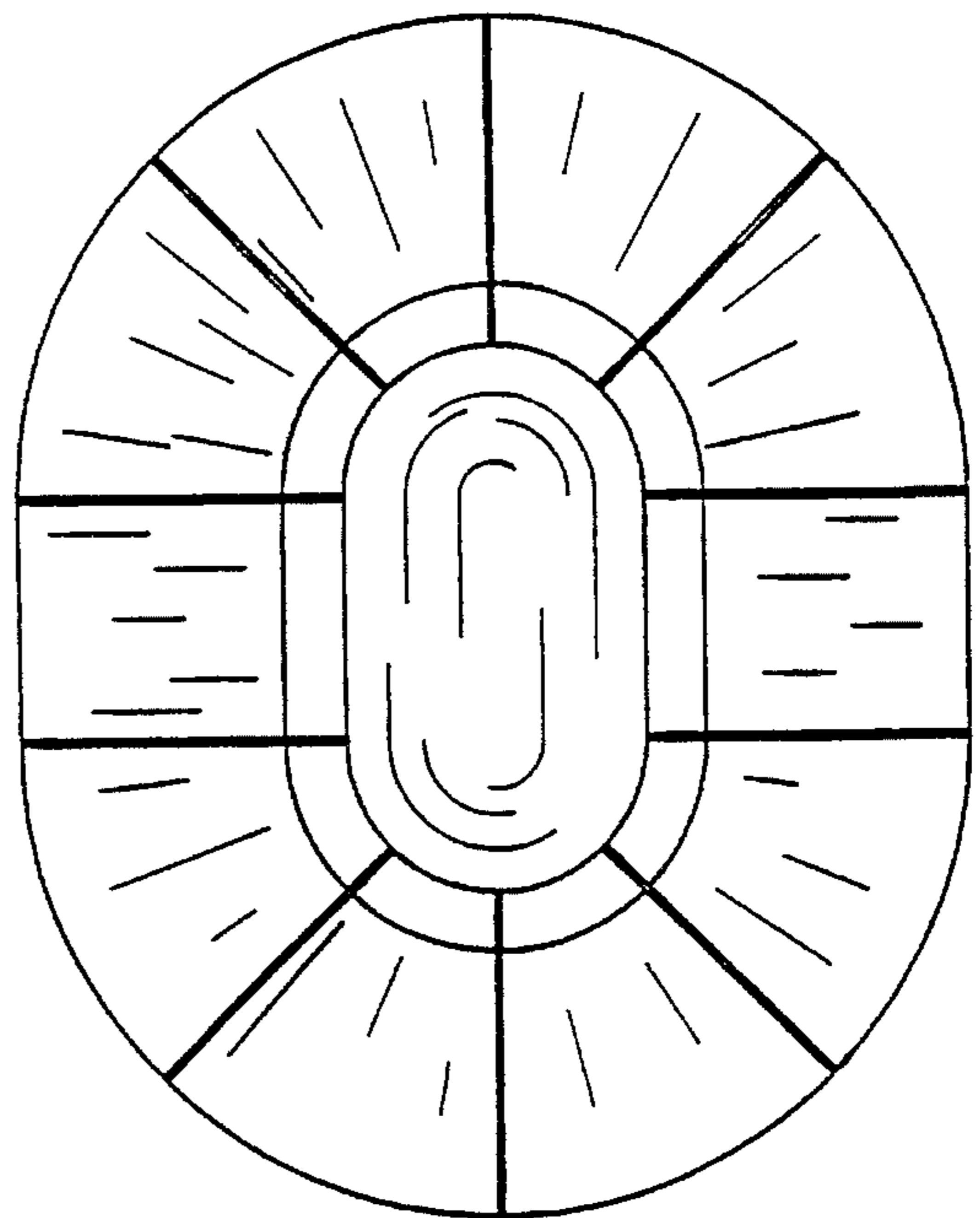


FIG. 10

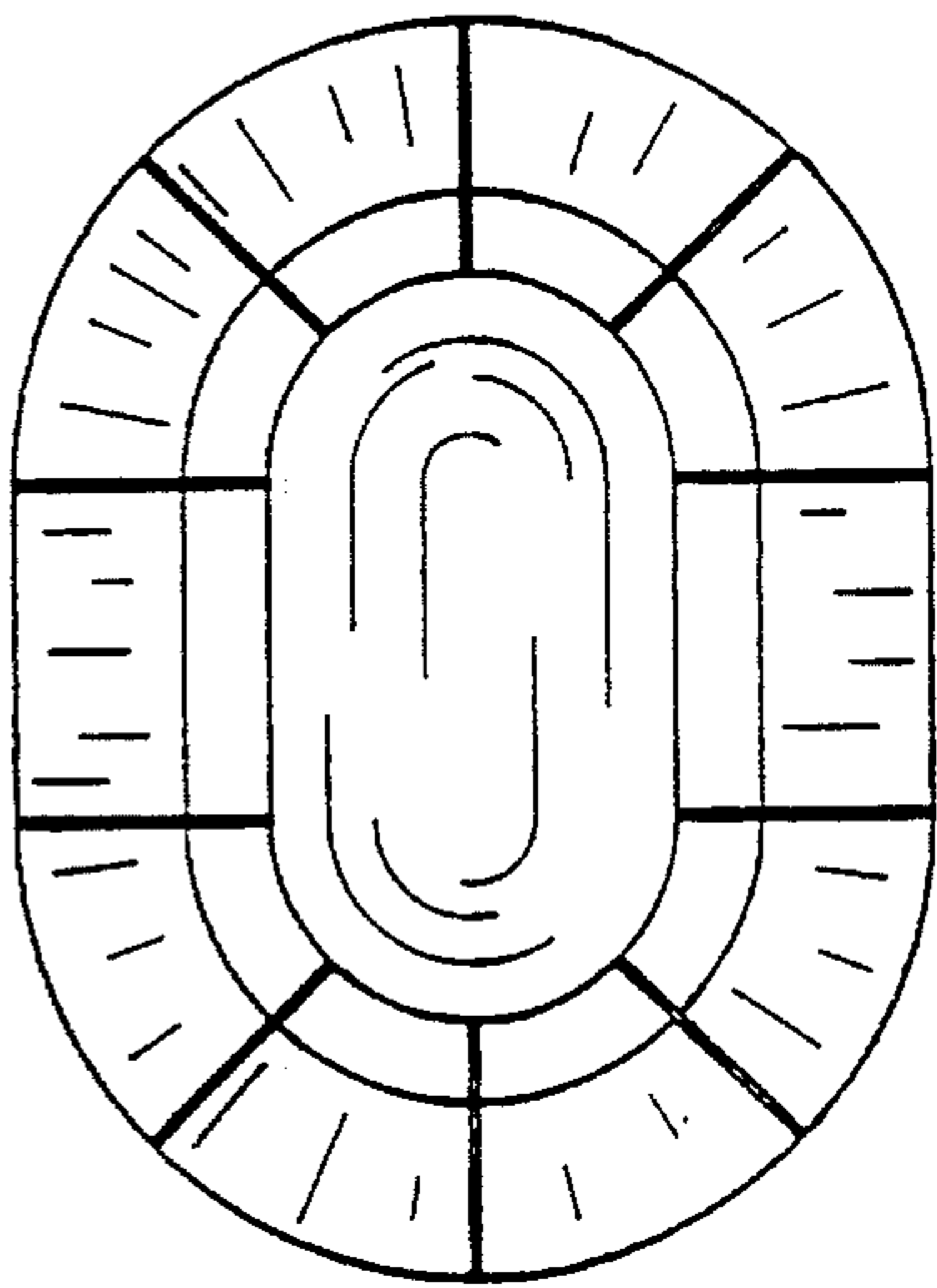


FIG. 11

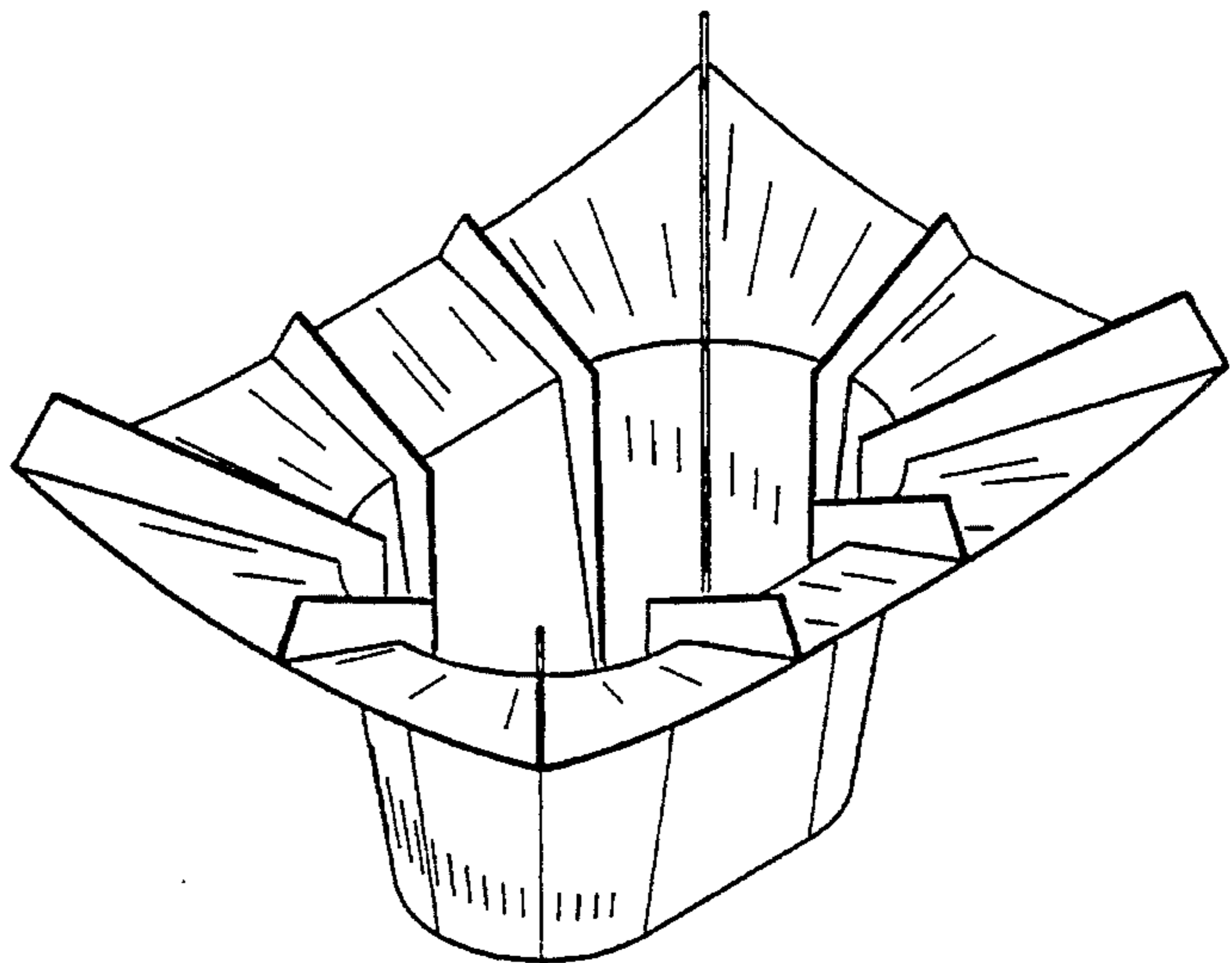


FIG. 12

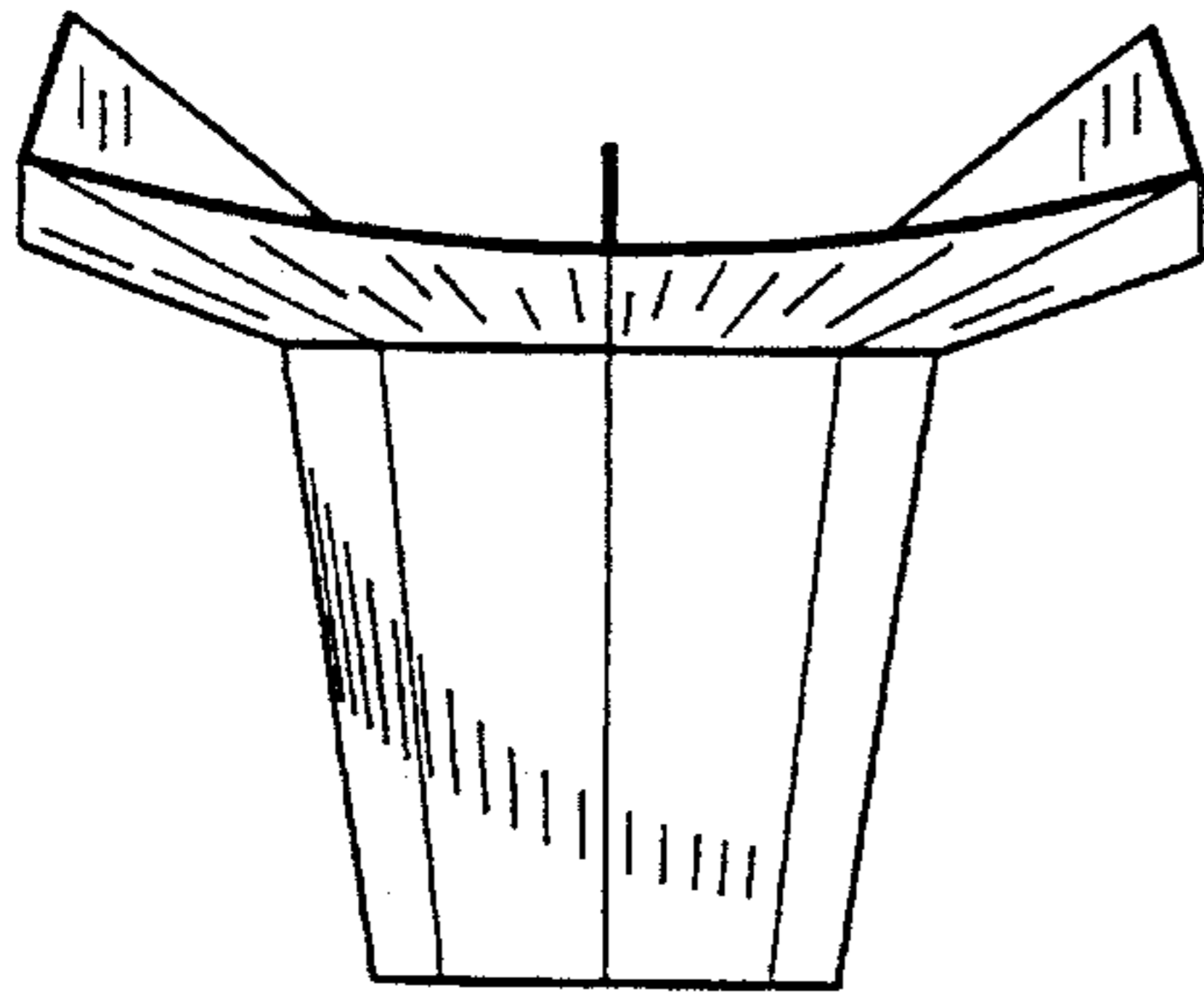


FIG. 13

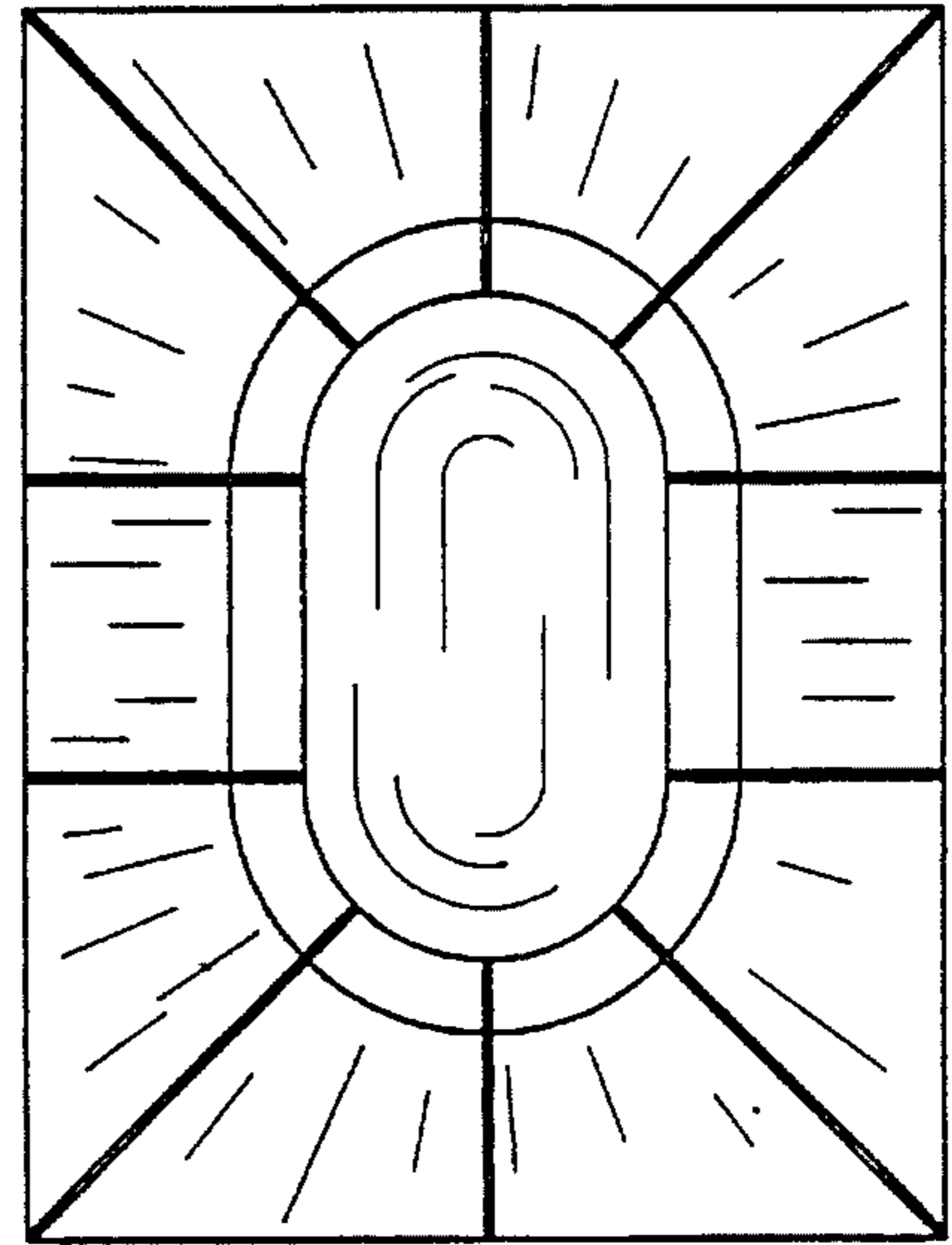


FIG. 14

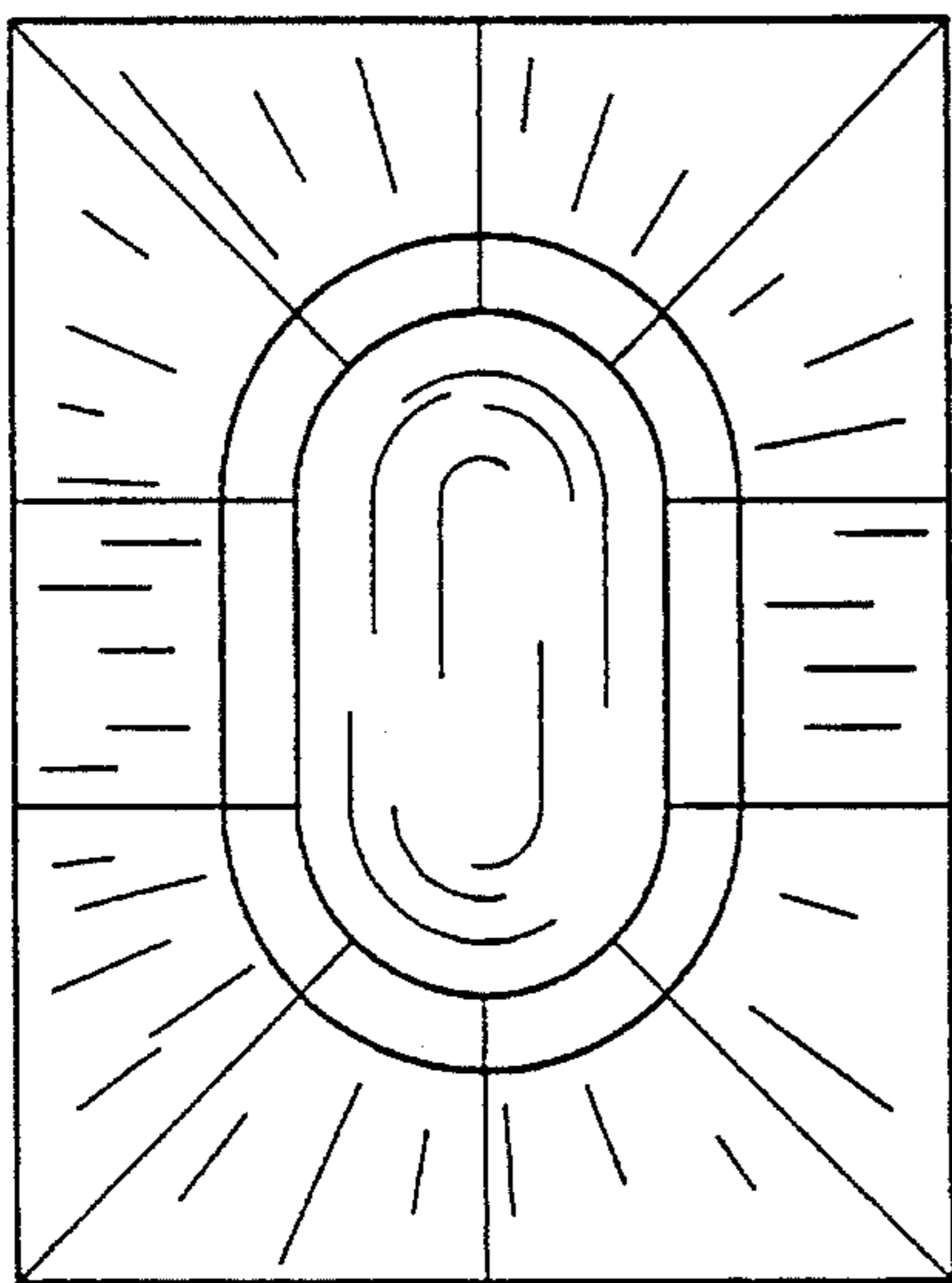


FIG. 15

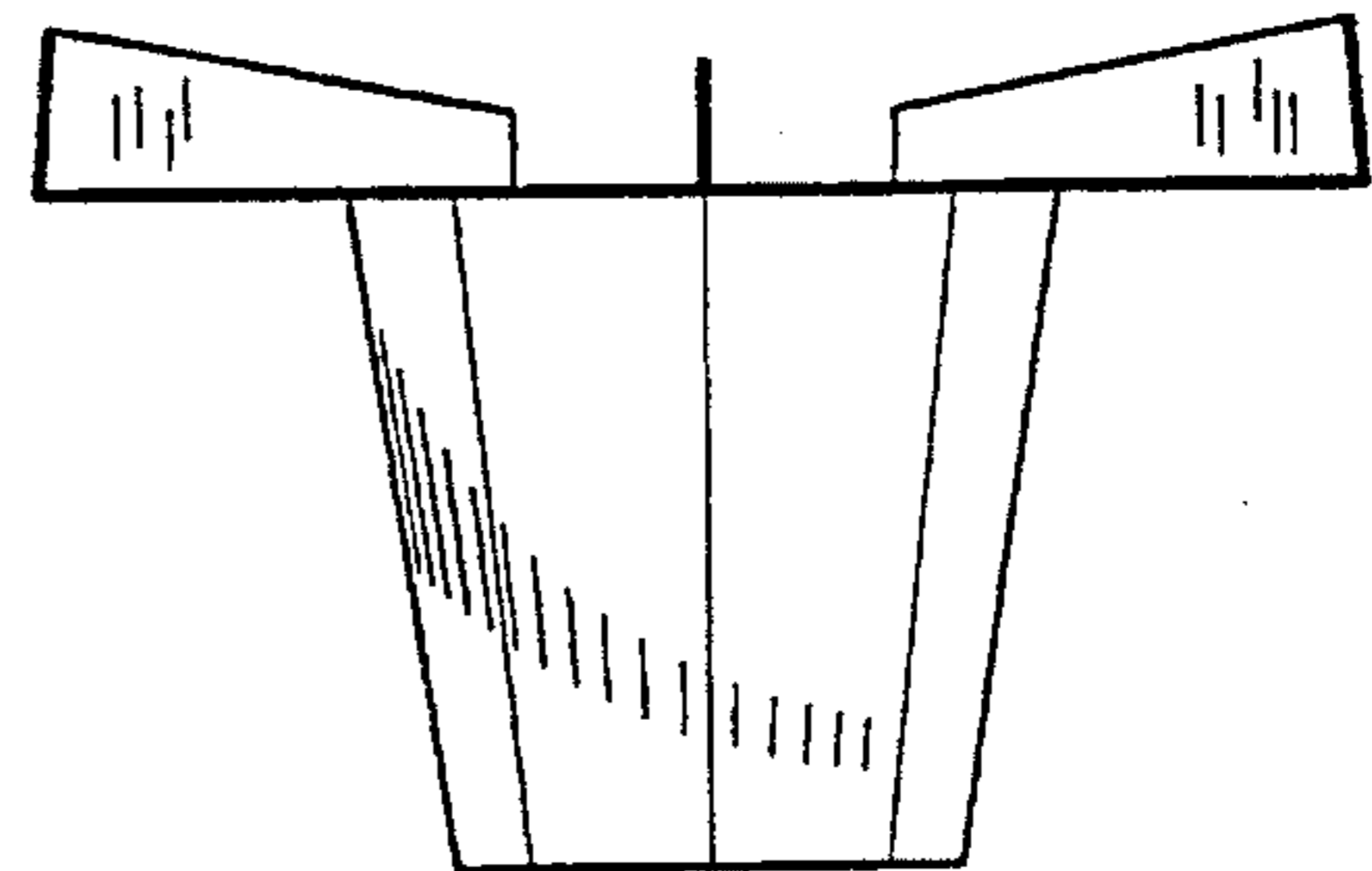


FIG. 16

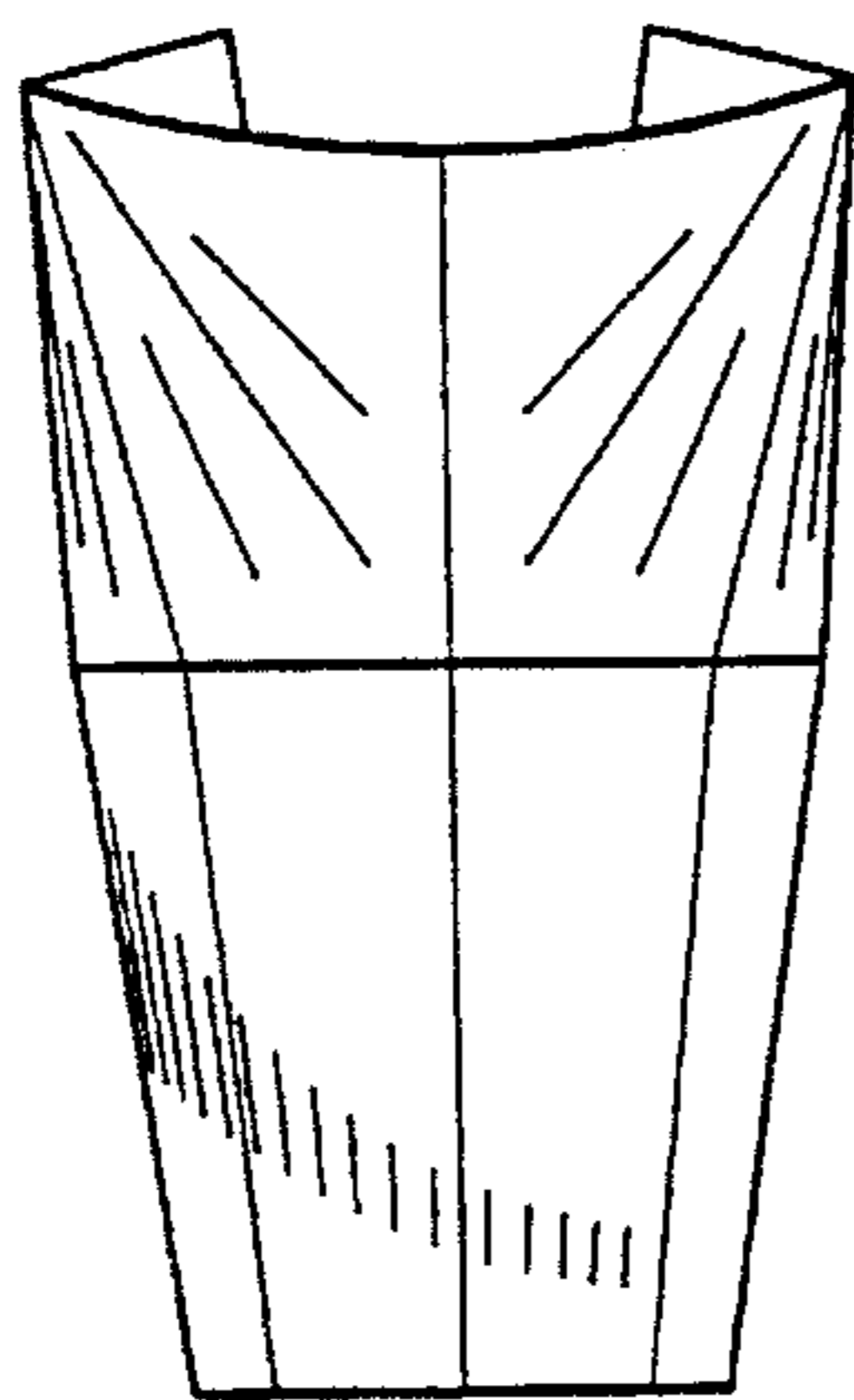


FIG. 17

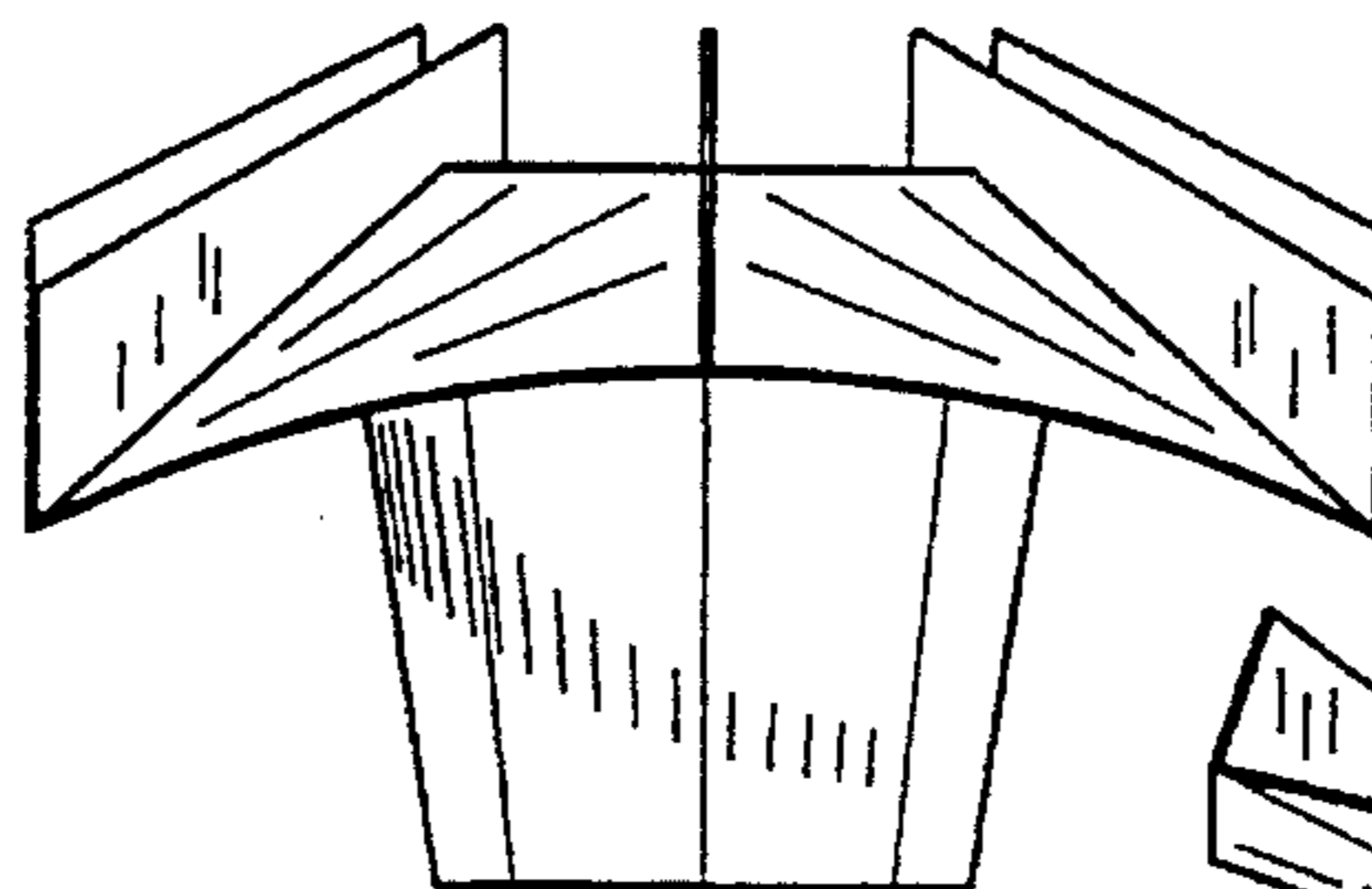


FIG. 18

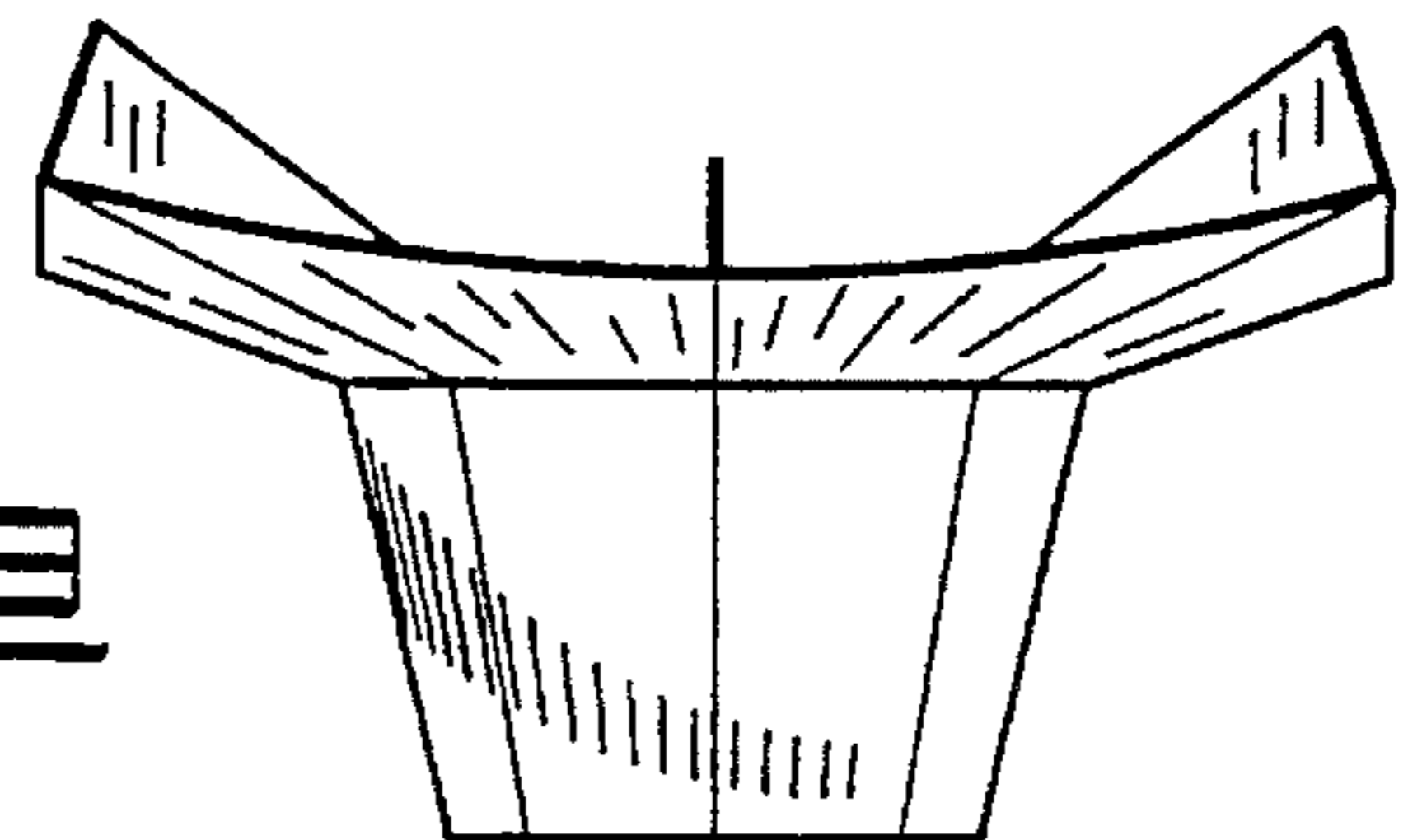


FIG. 19

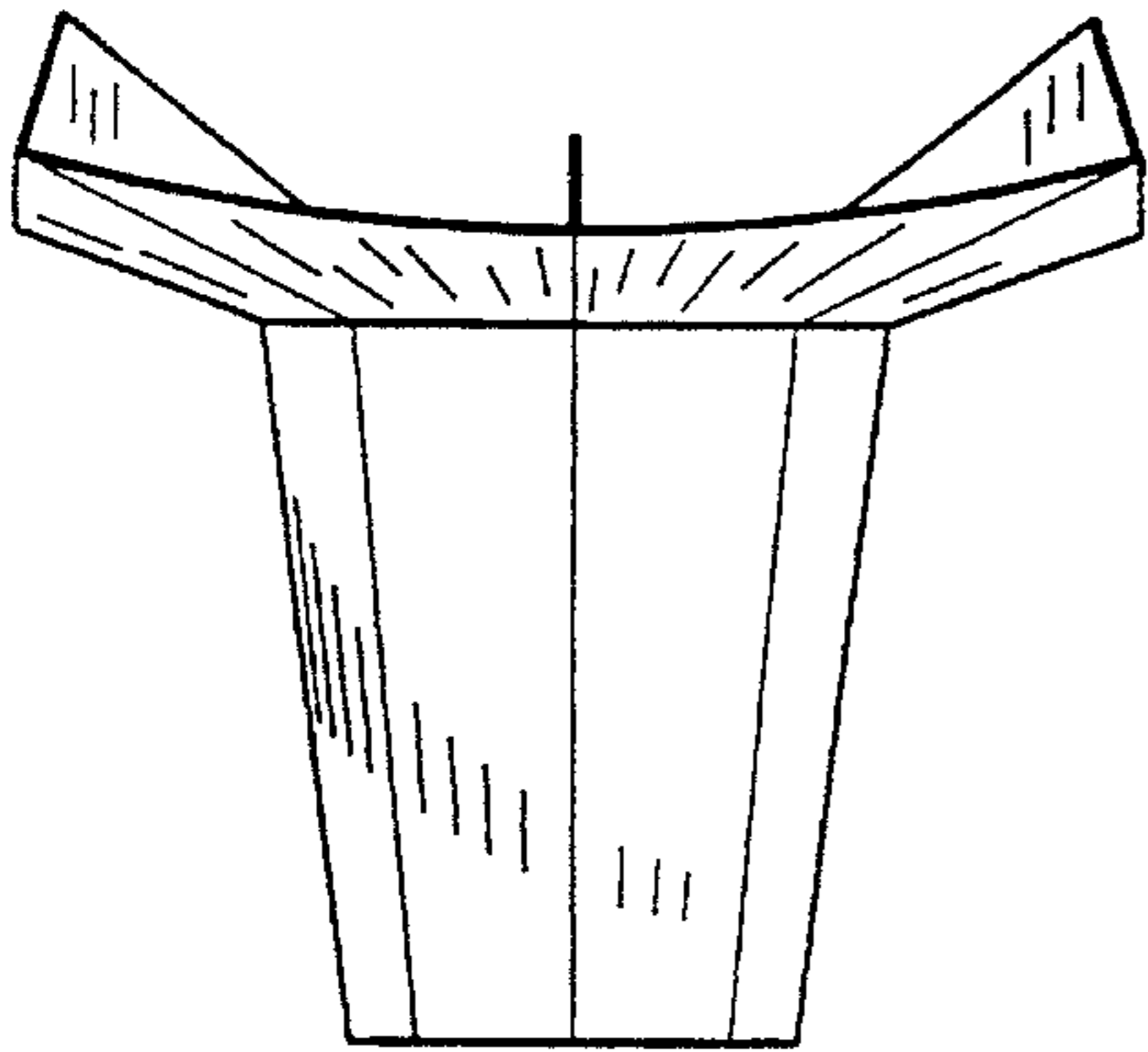


FIG. 20

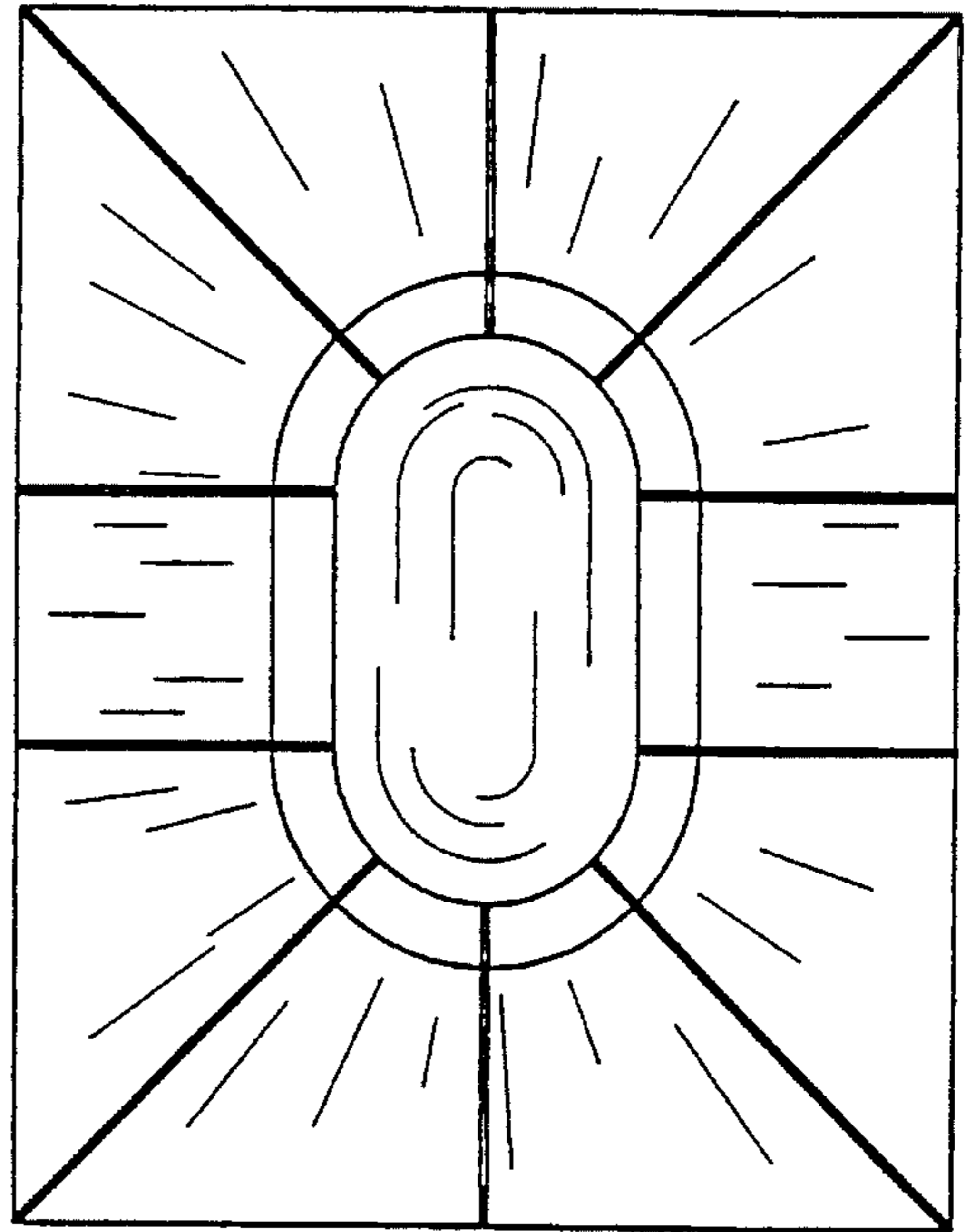


FIG. 21

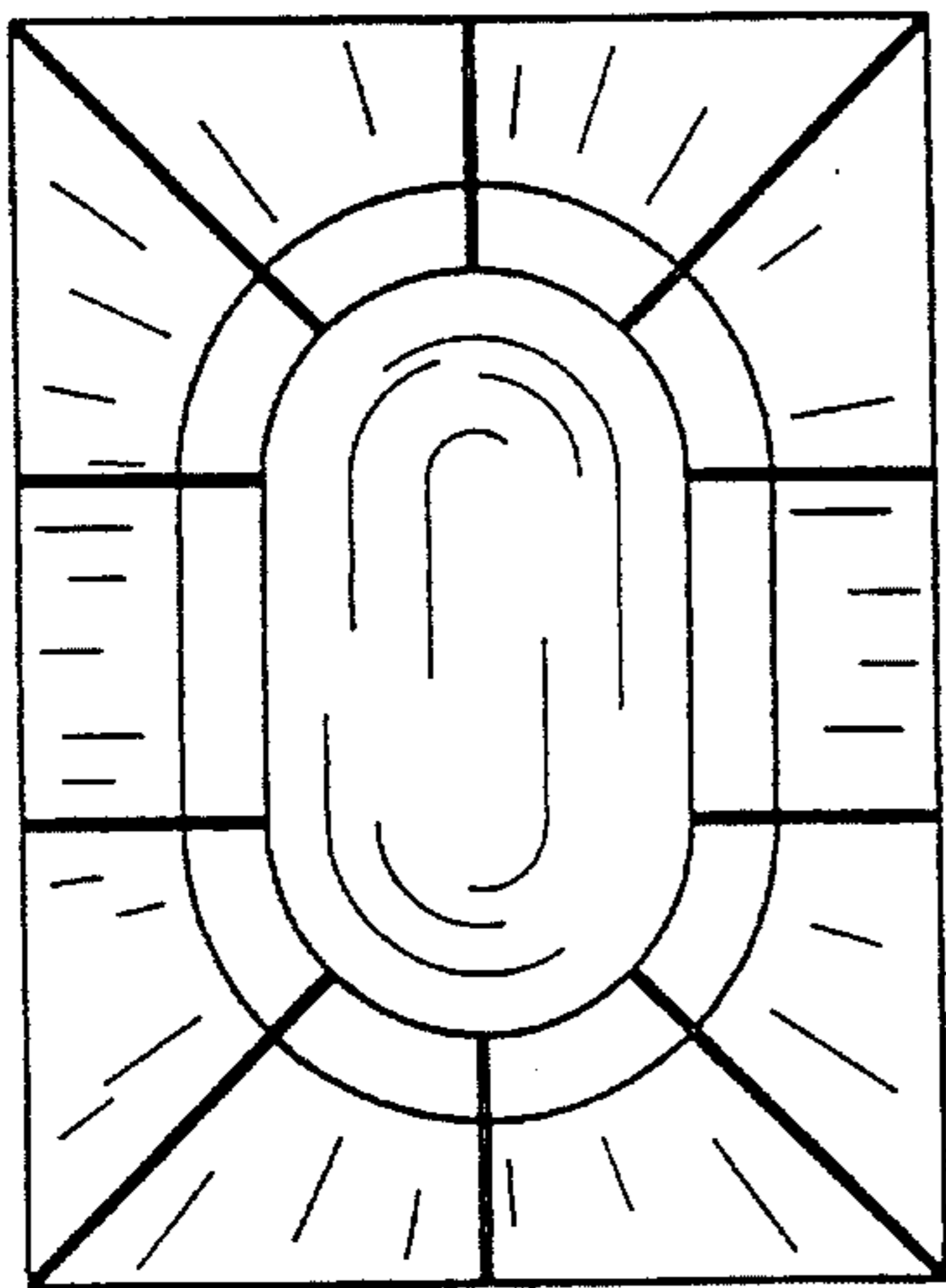


FIG. 22

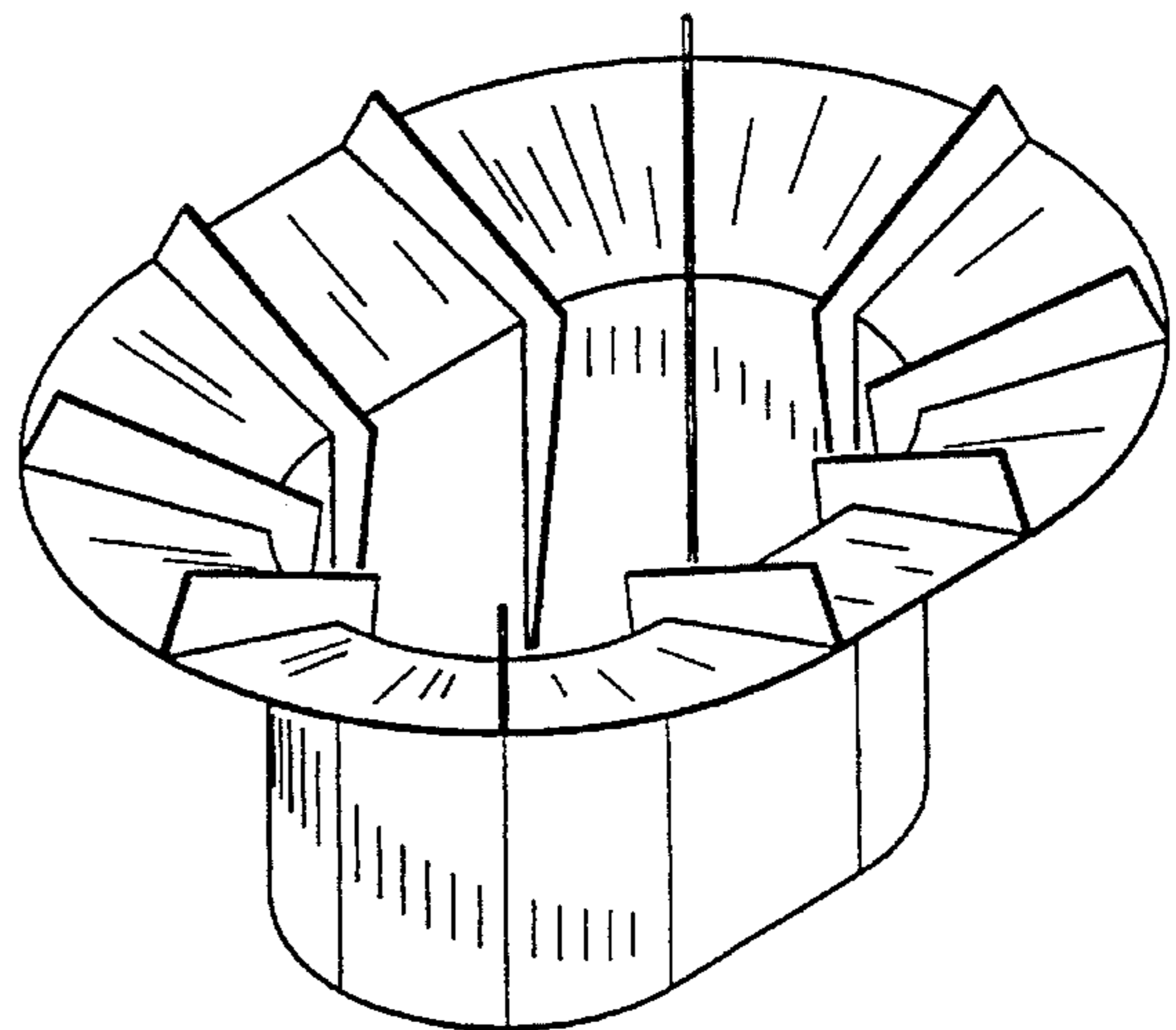


FIG. 23

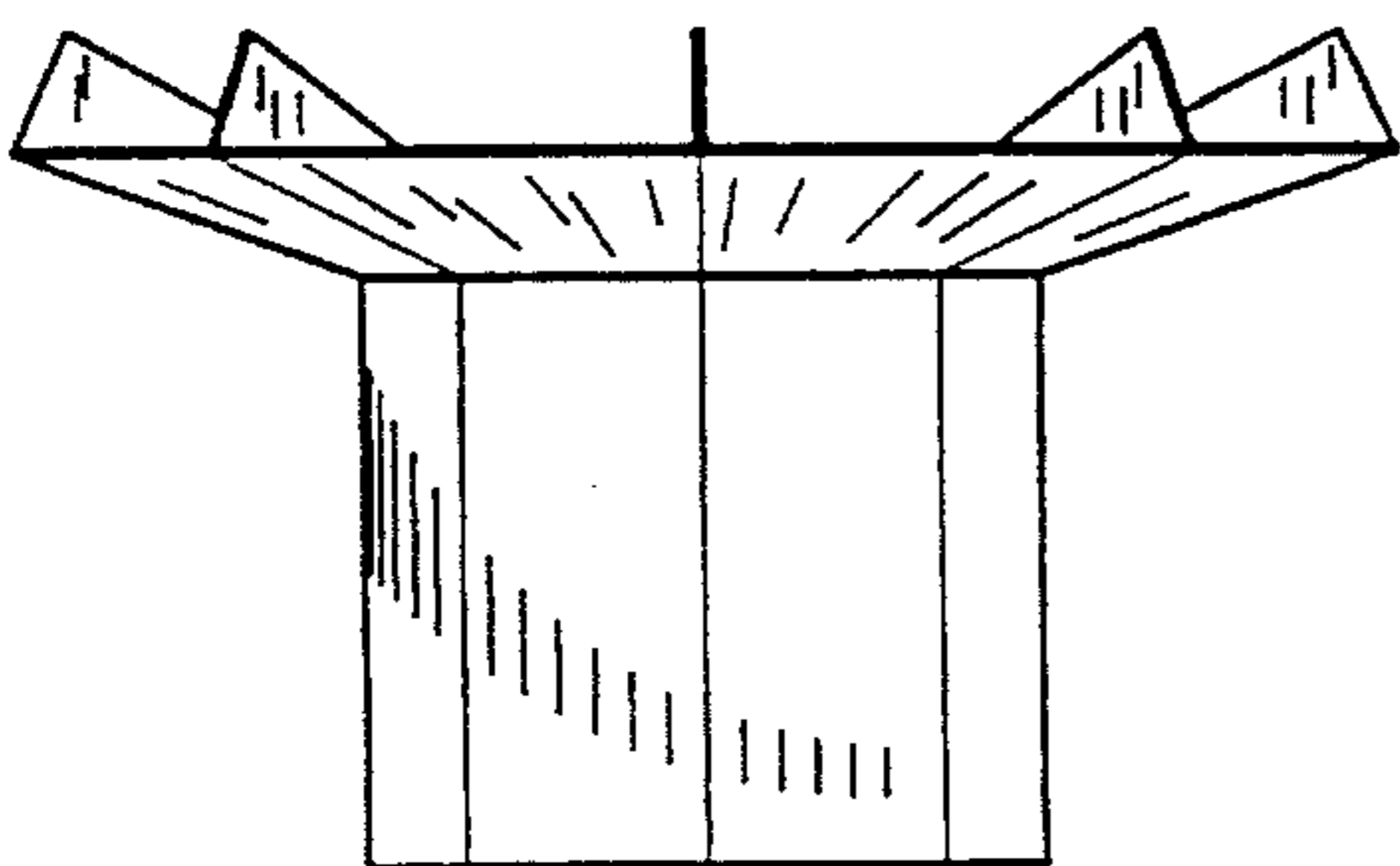


FIG. 24

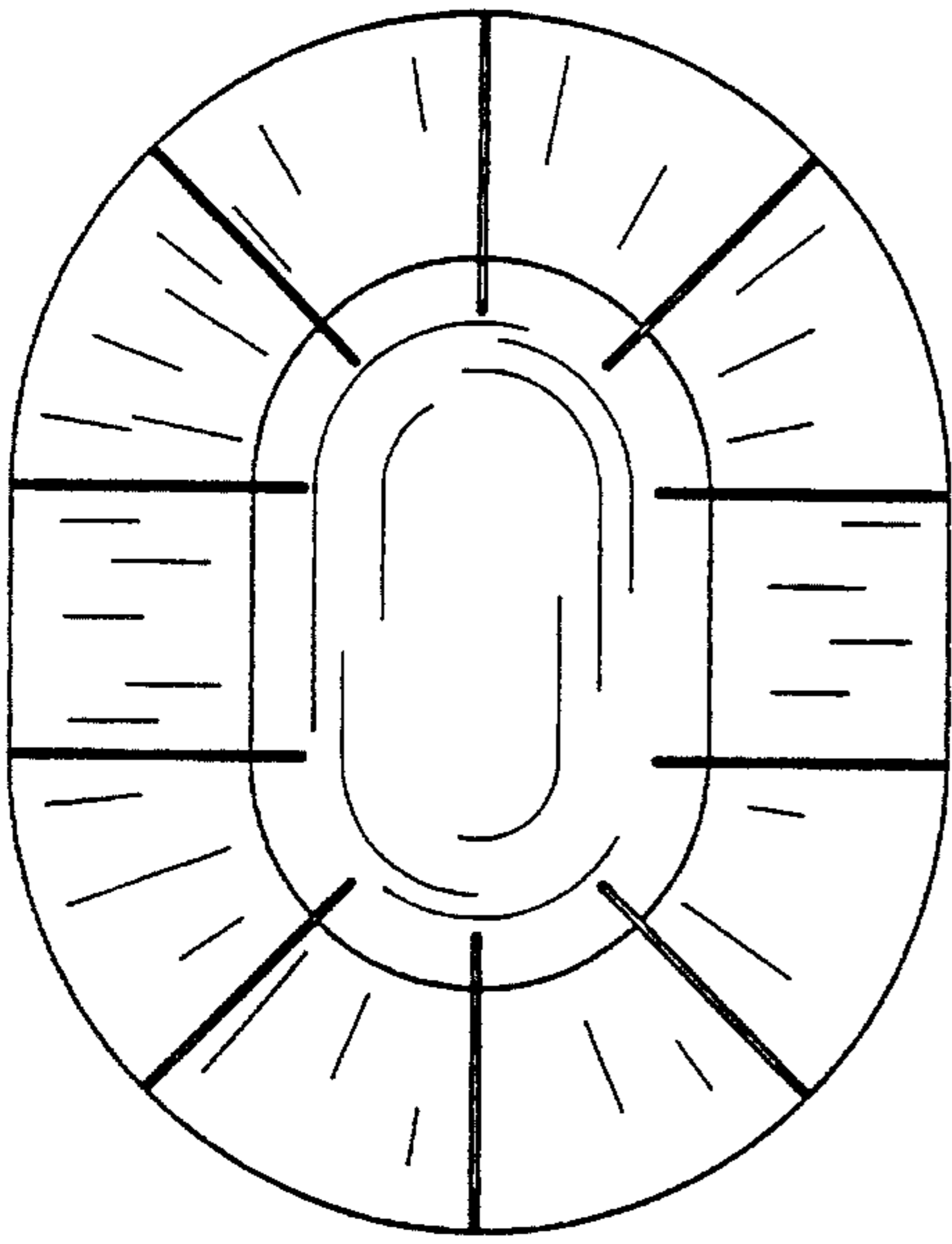


FIG. 25

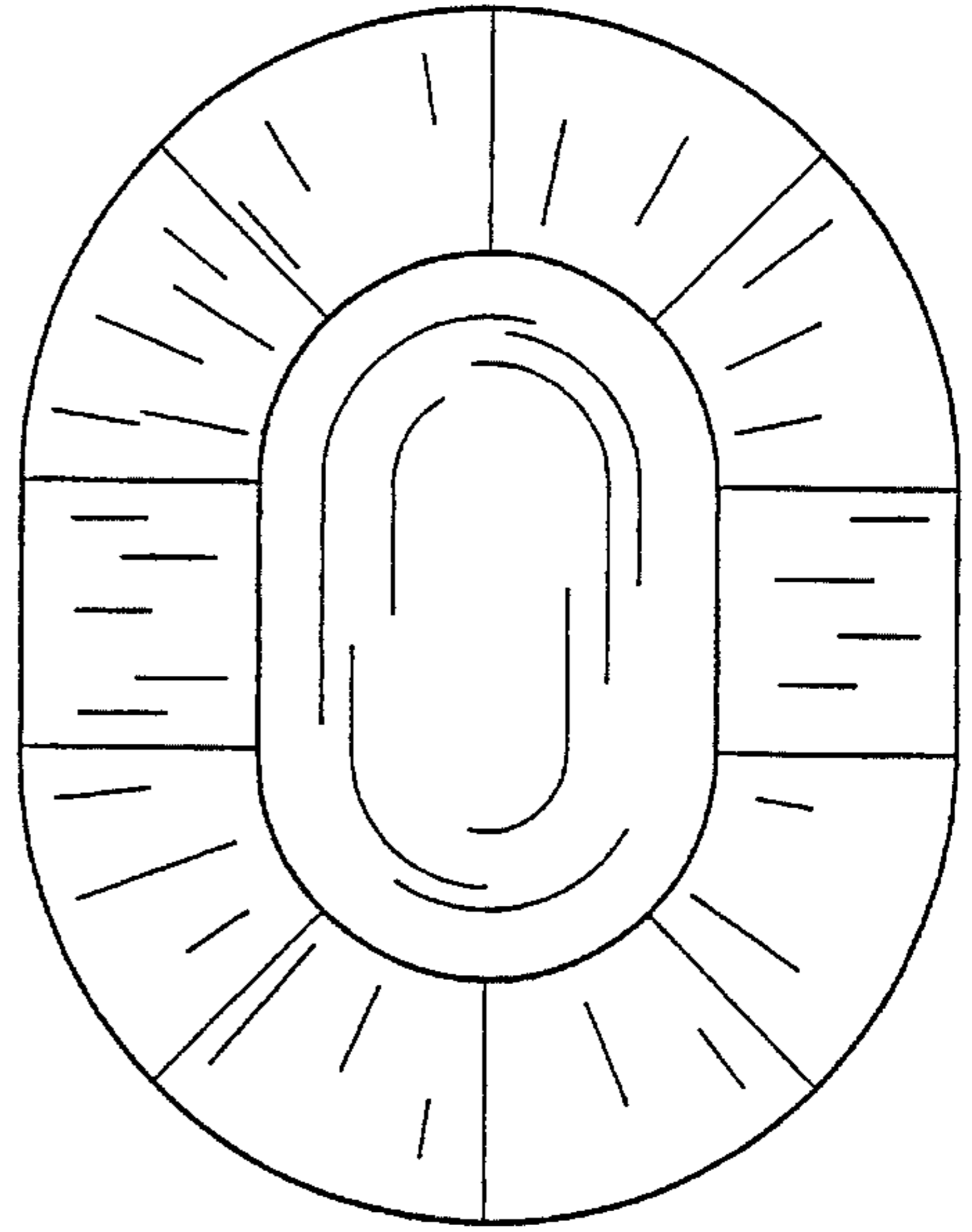


FIG. 26

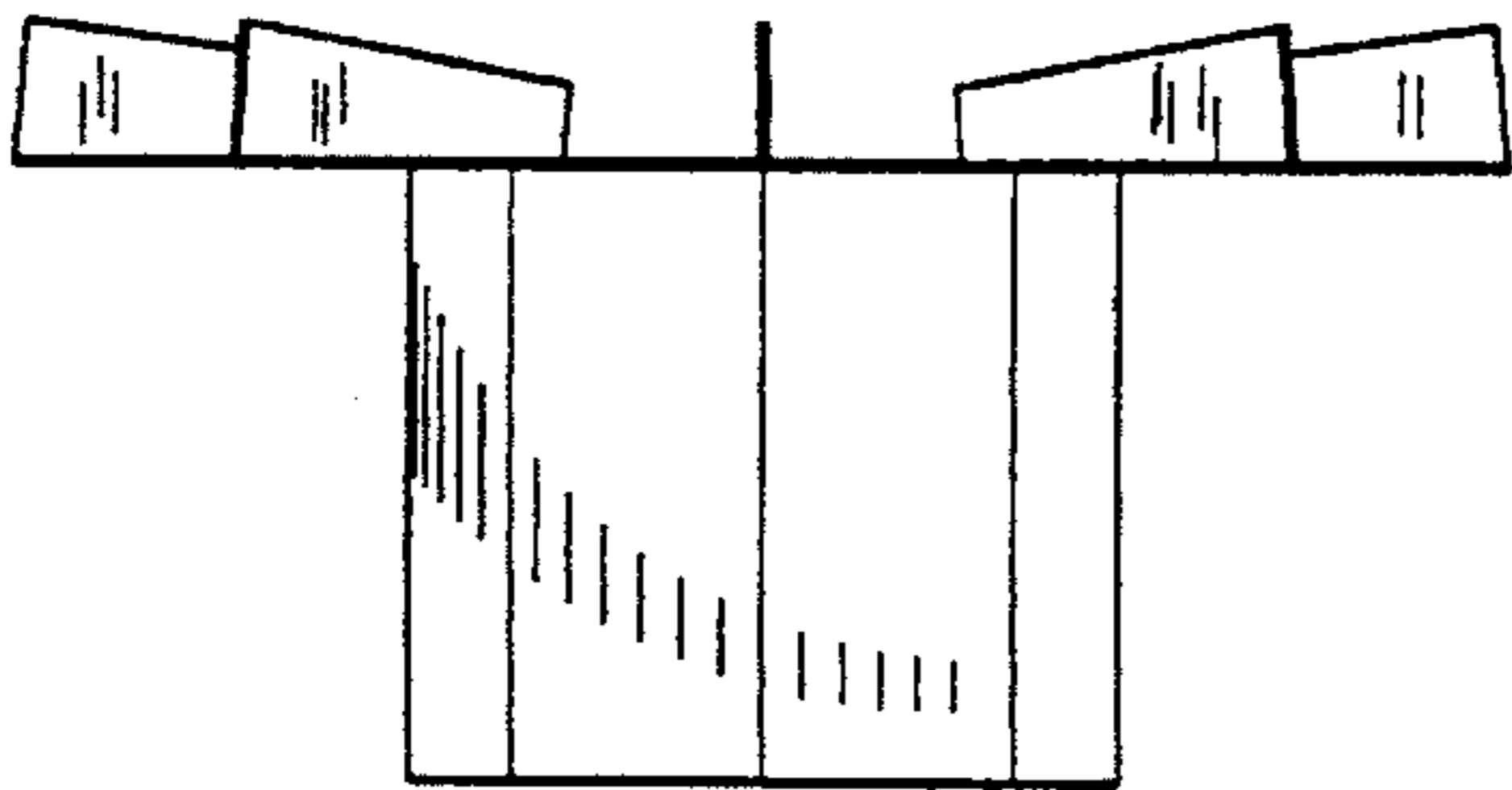


FIG. 27

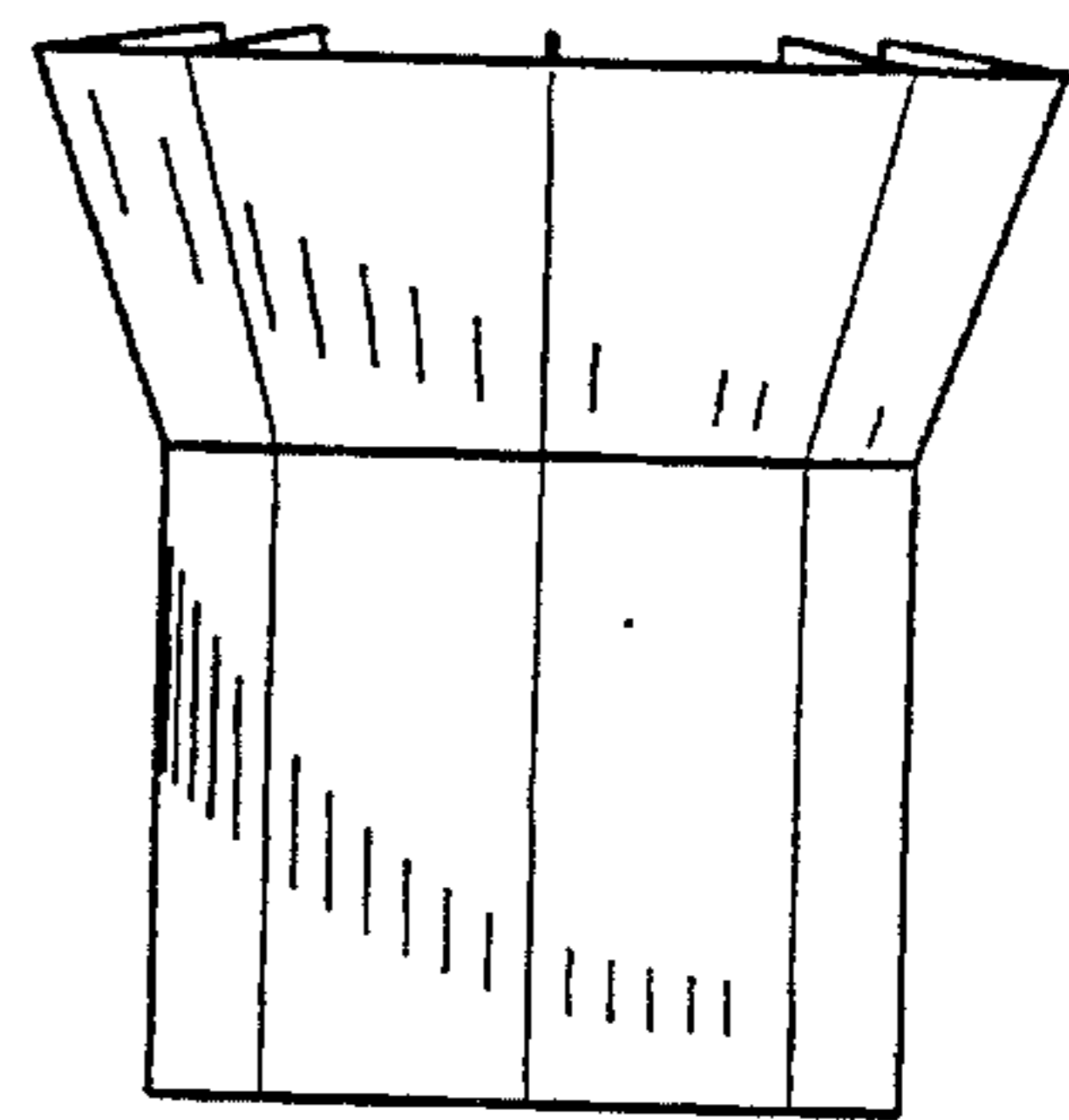


FIG. 28

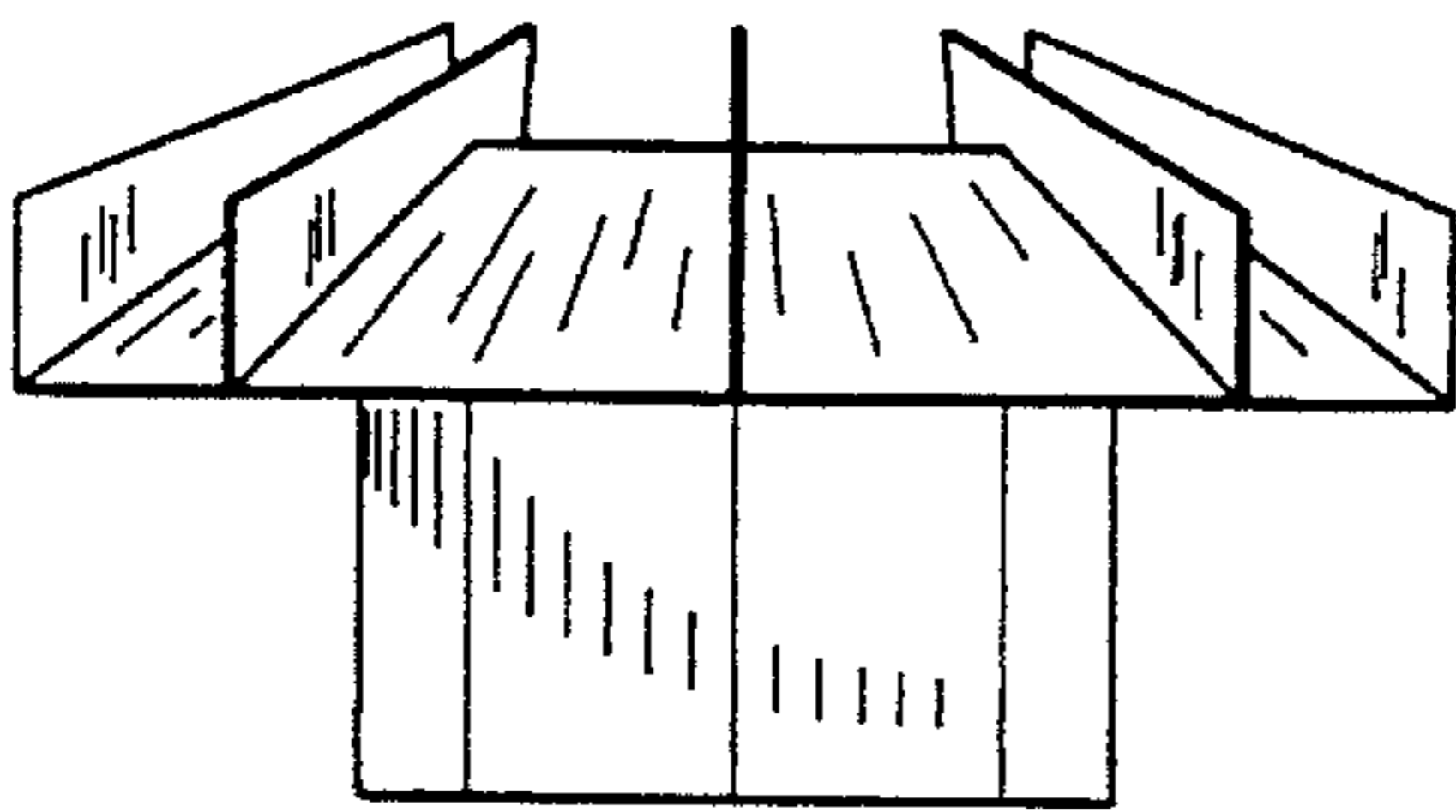


FIG. 29

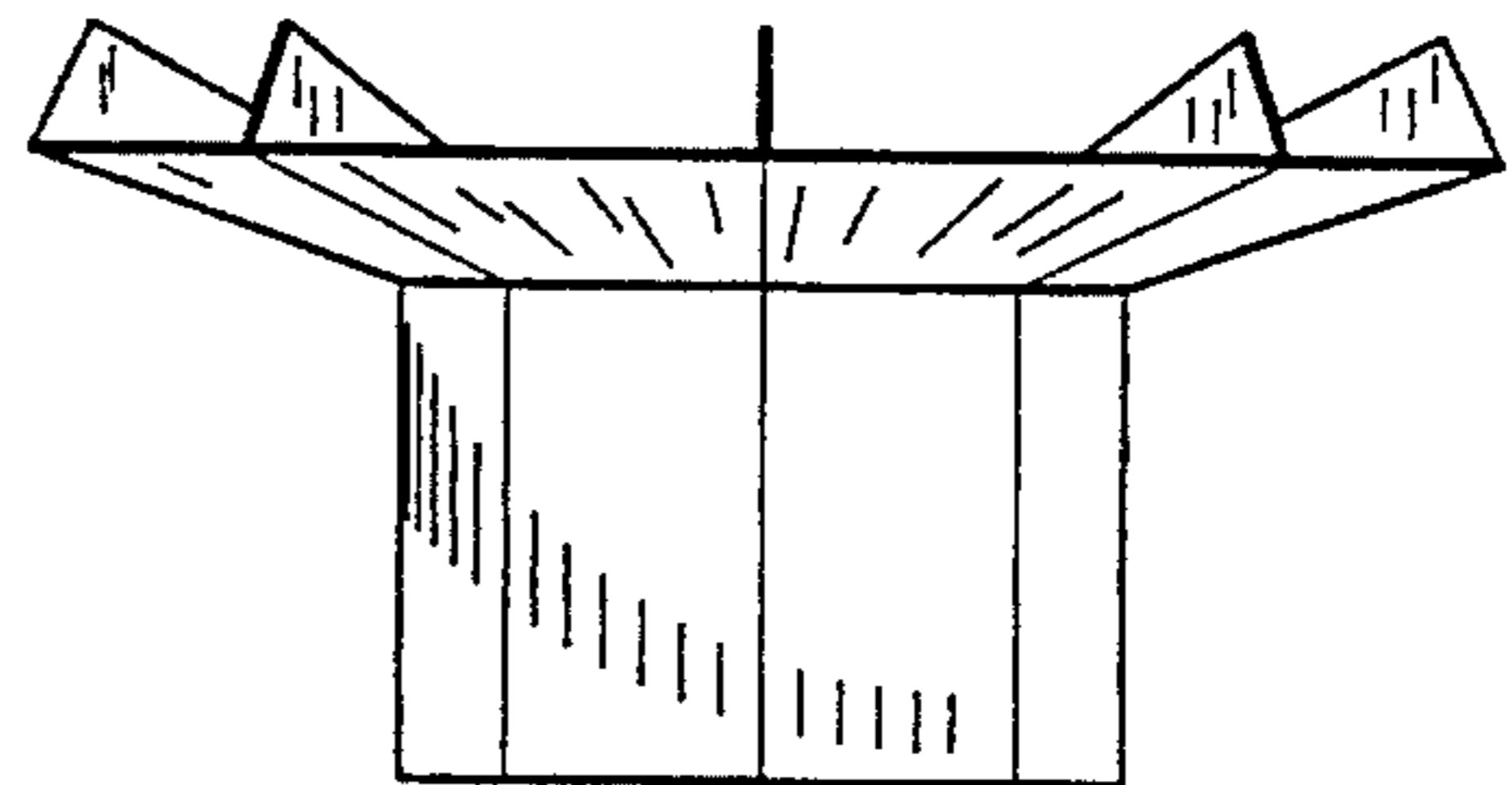


FIG. 30

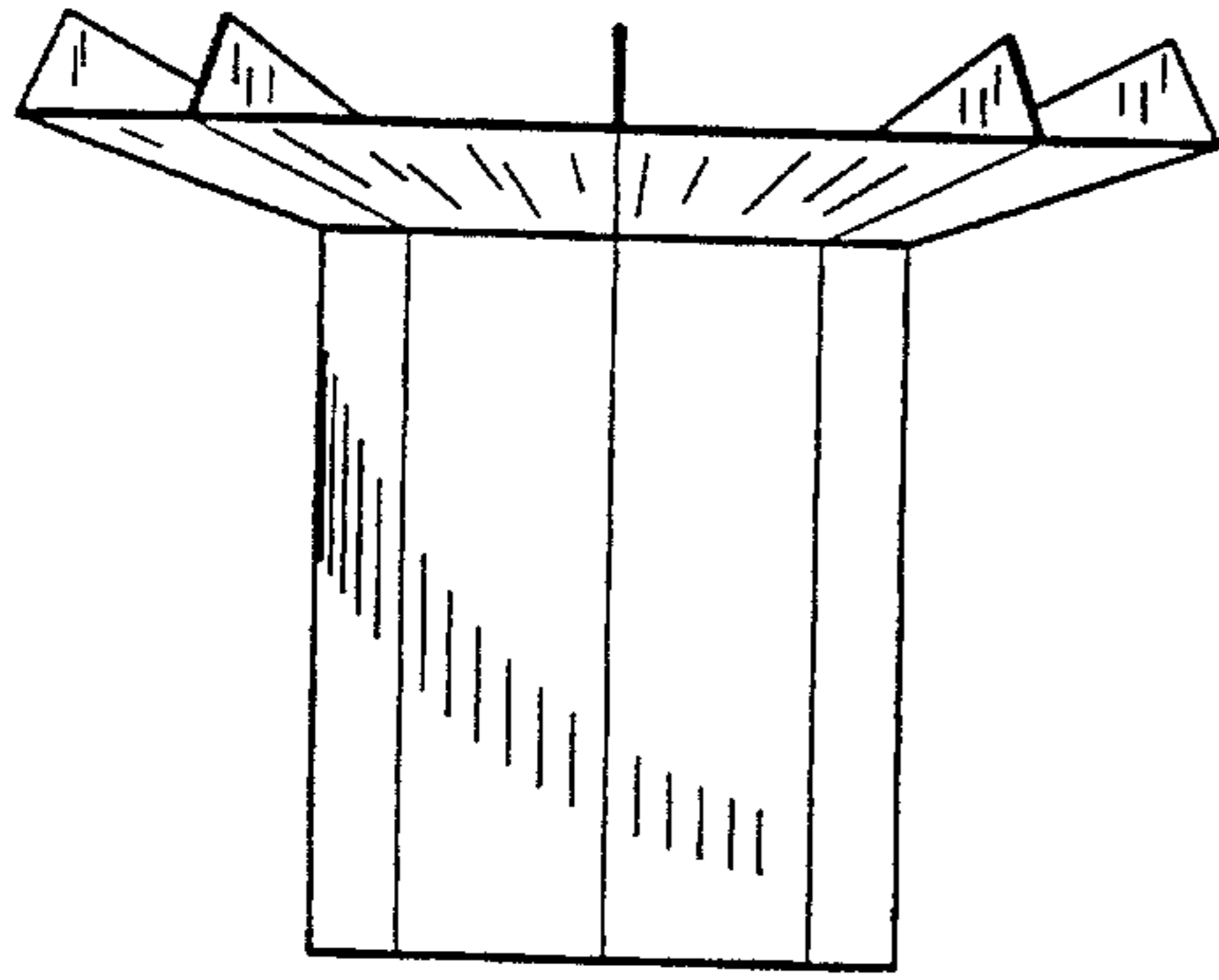


FIG. 31

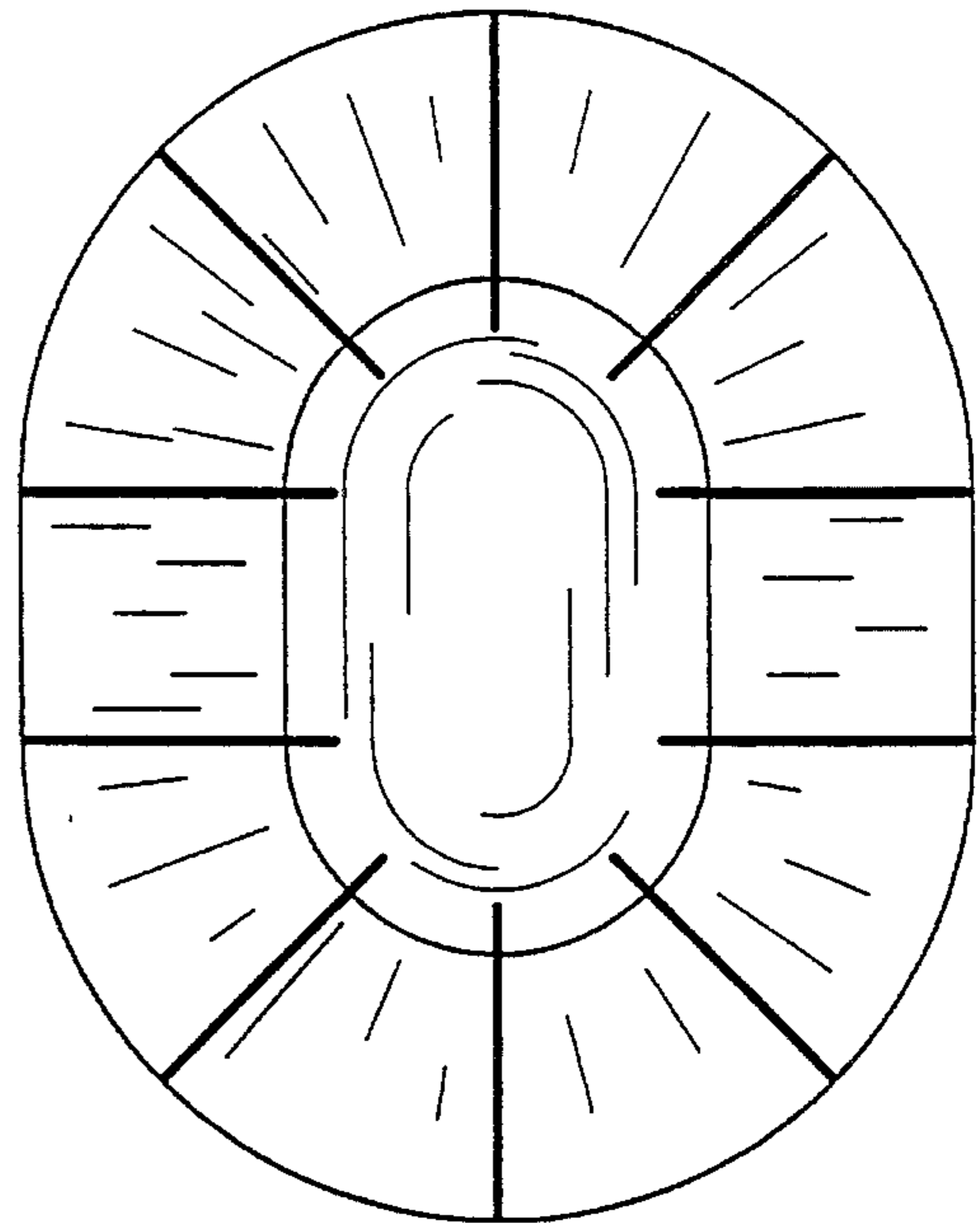


FIG. 32

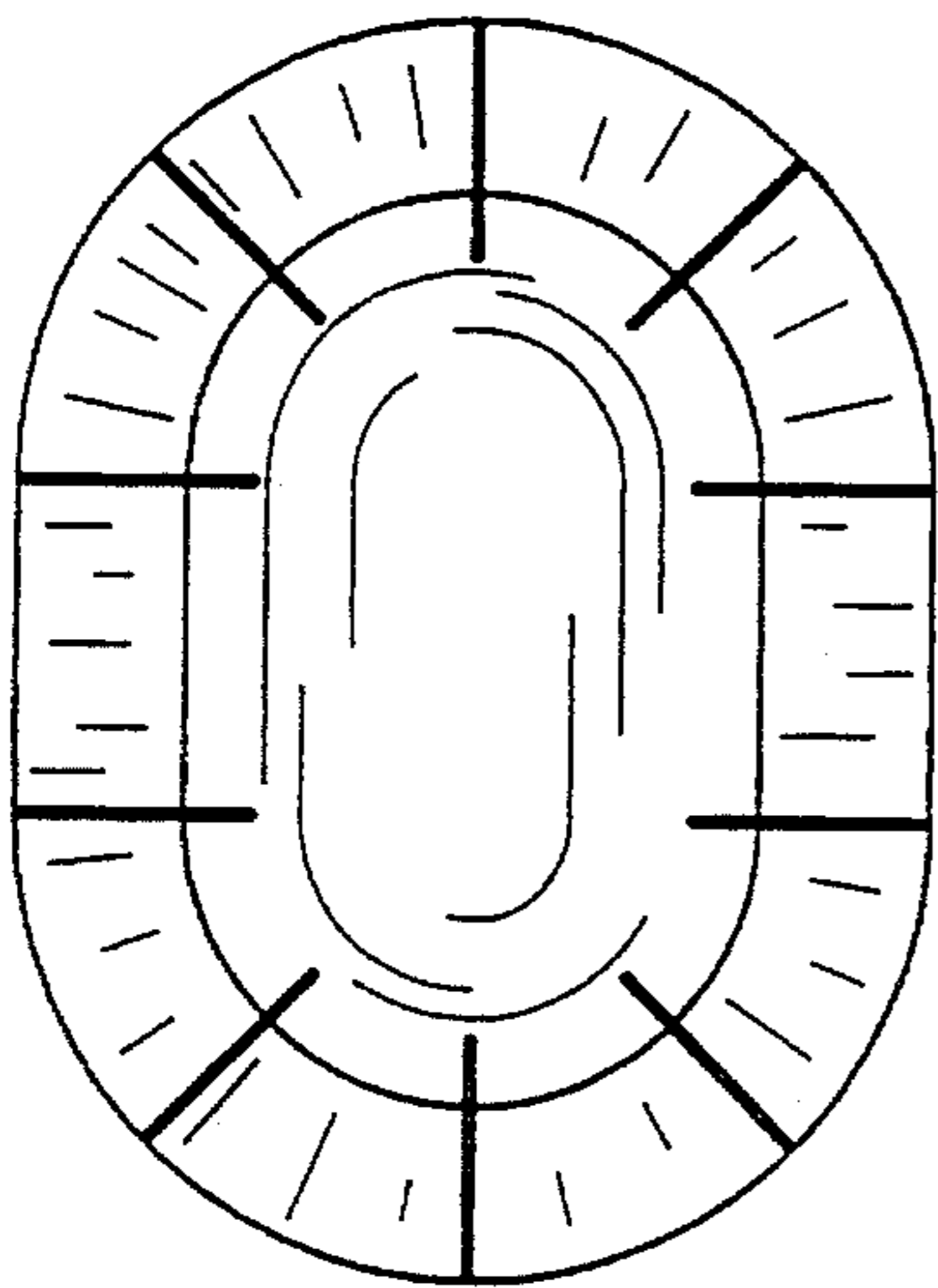


FIG. 33

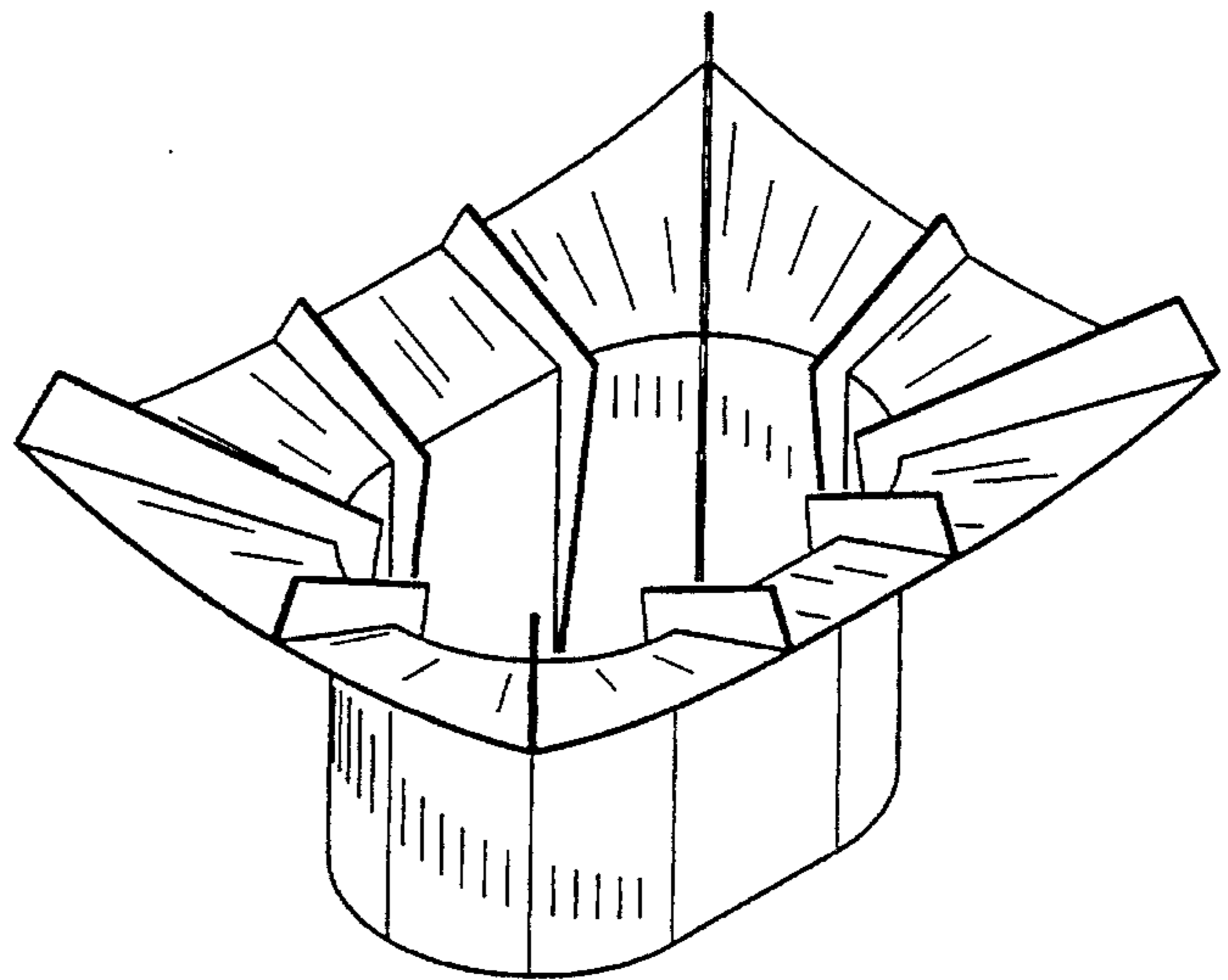


FIG. 34

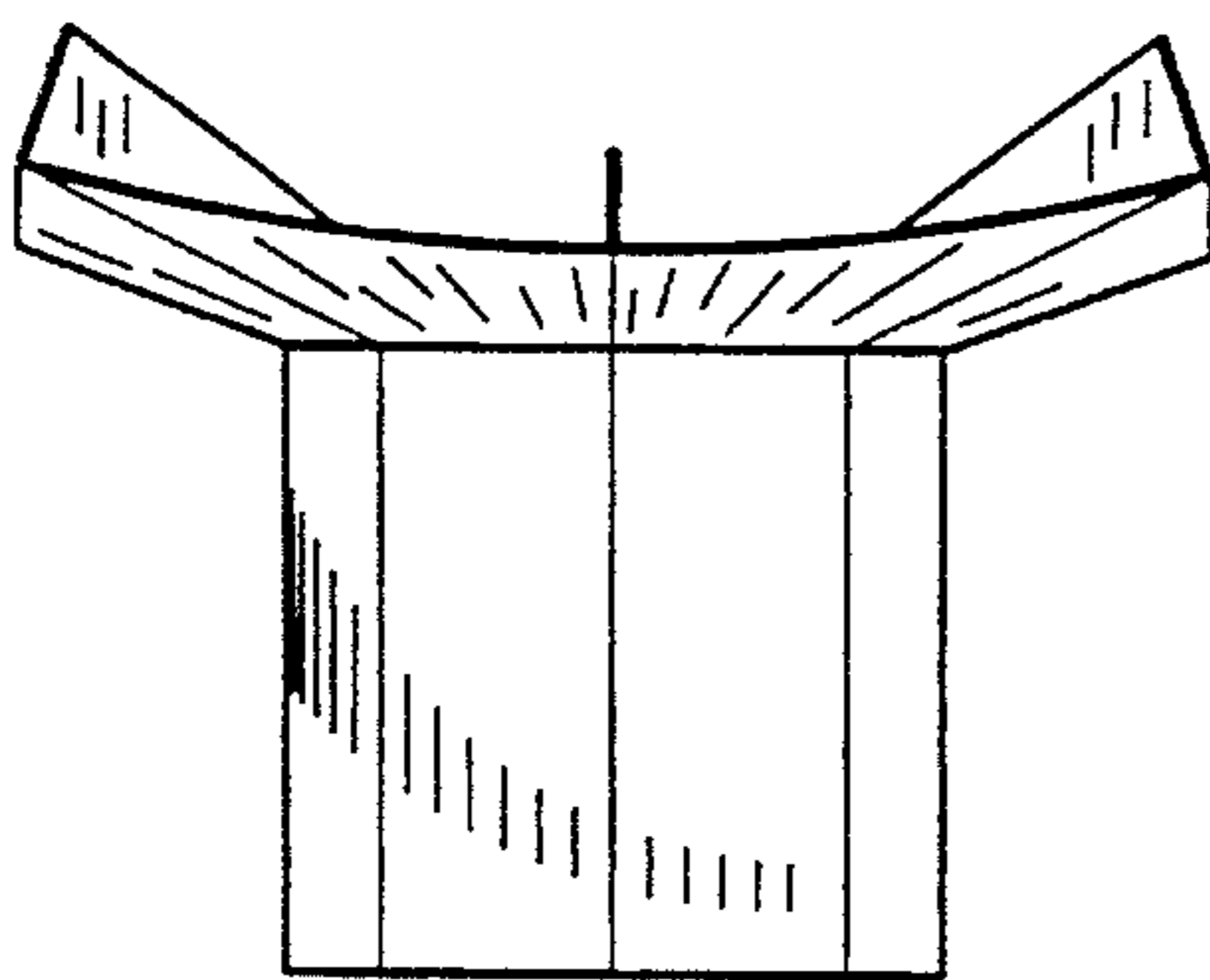


FIG. 35

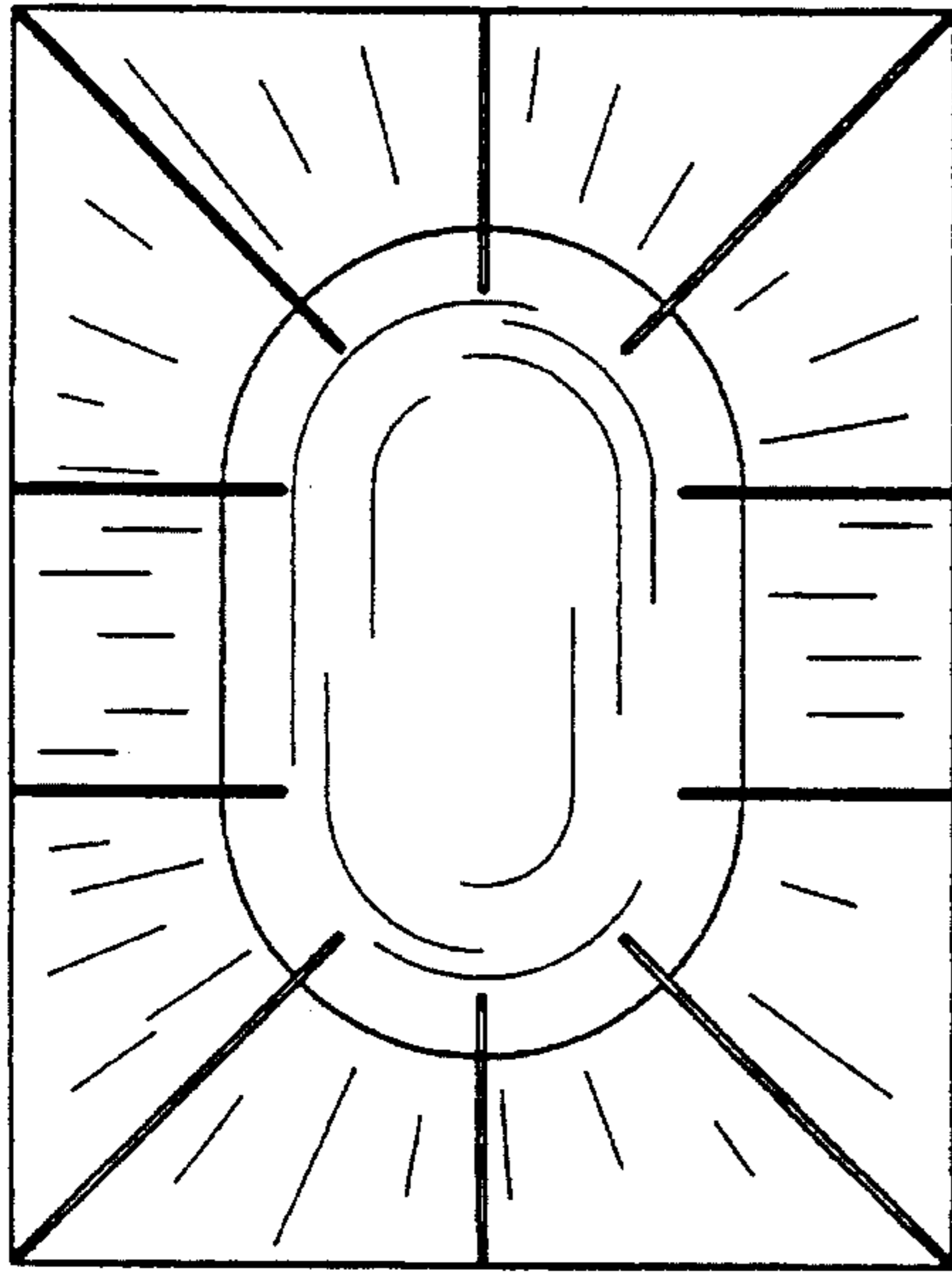


FIG. 36

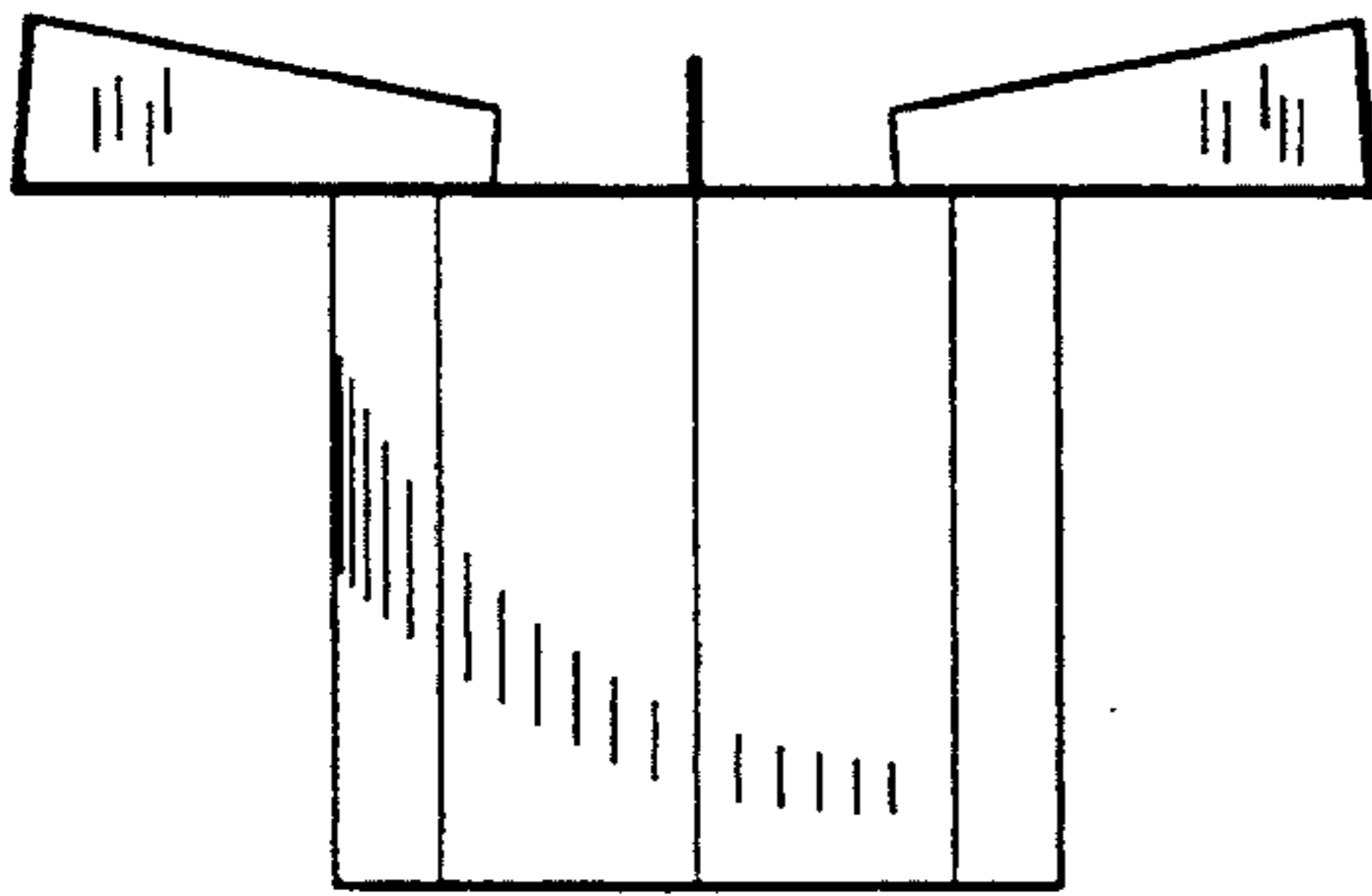


FIG. 38

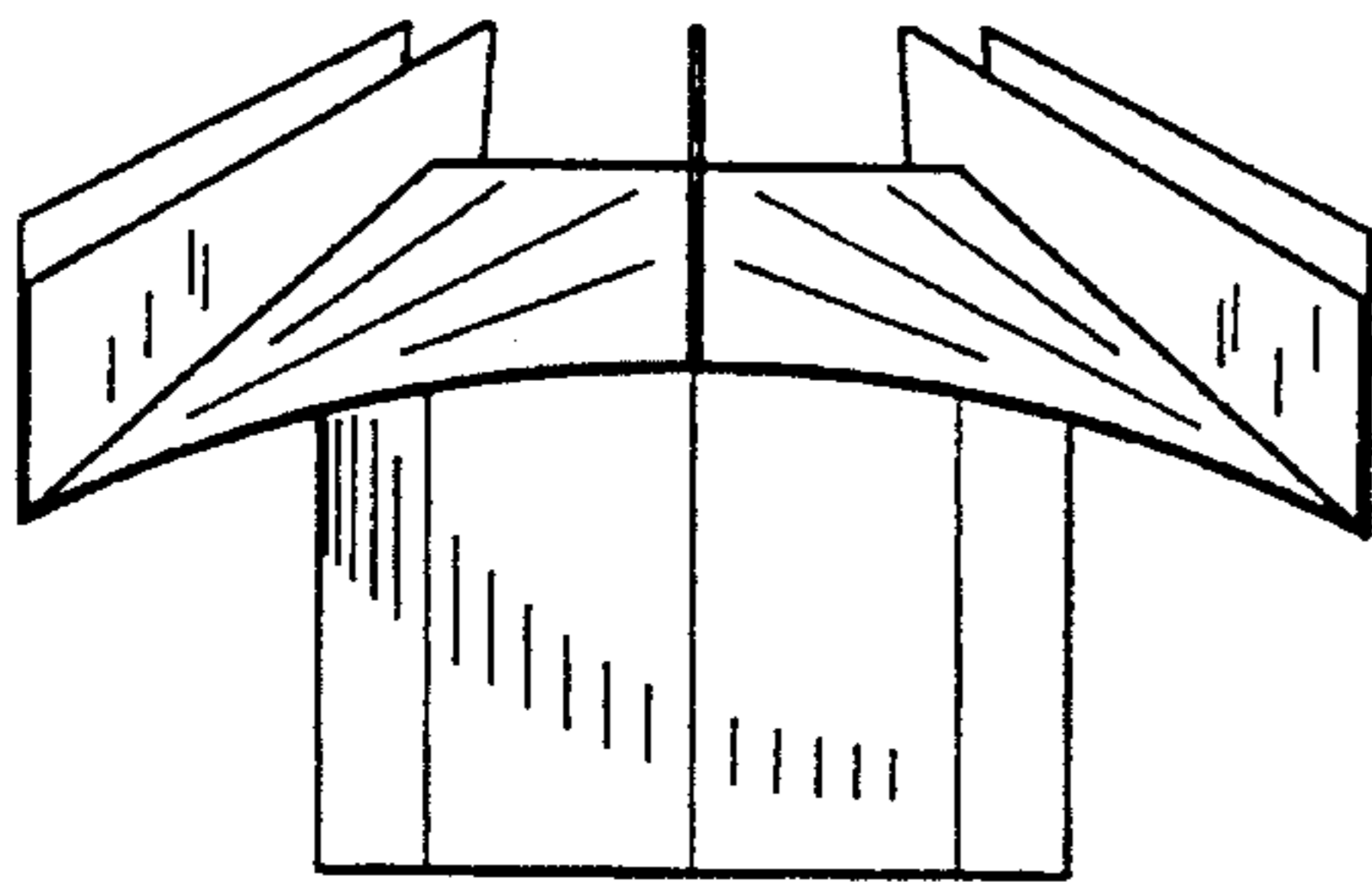


FIG. 40

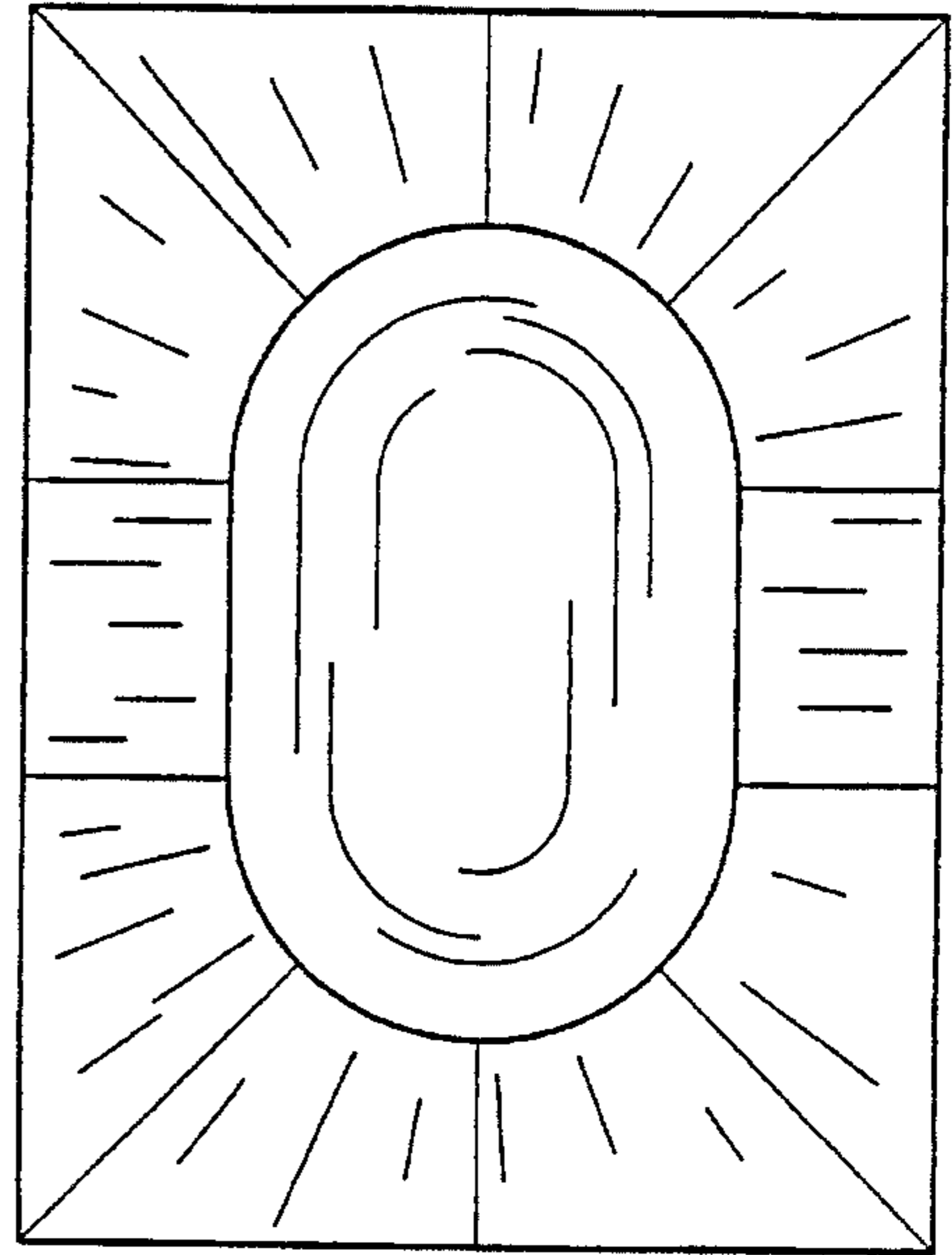


FIG. 37

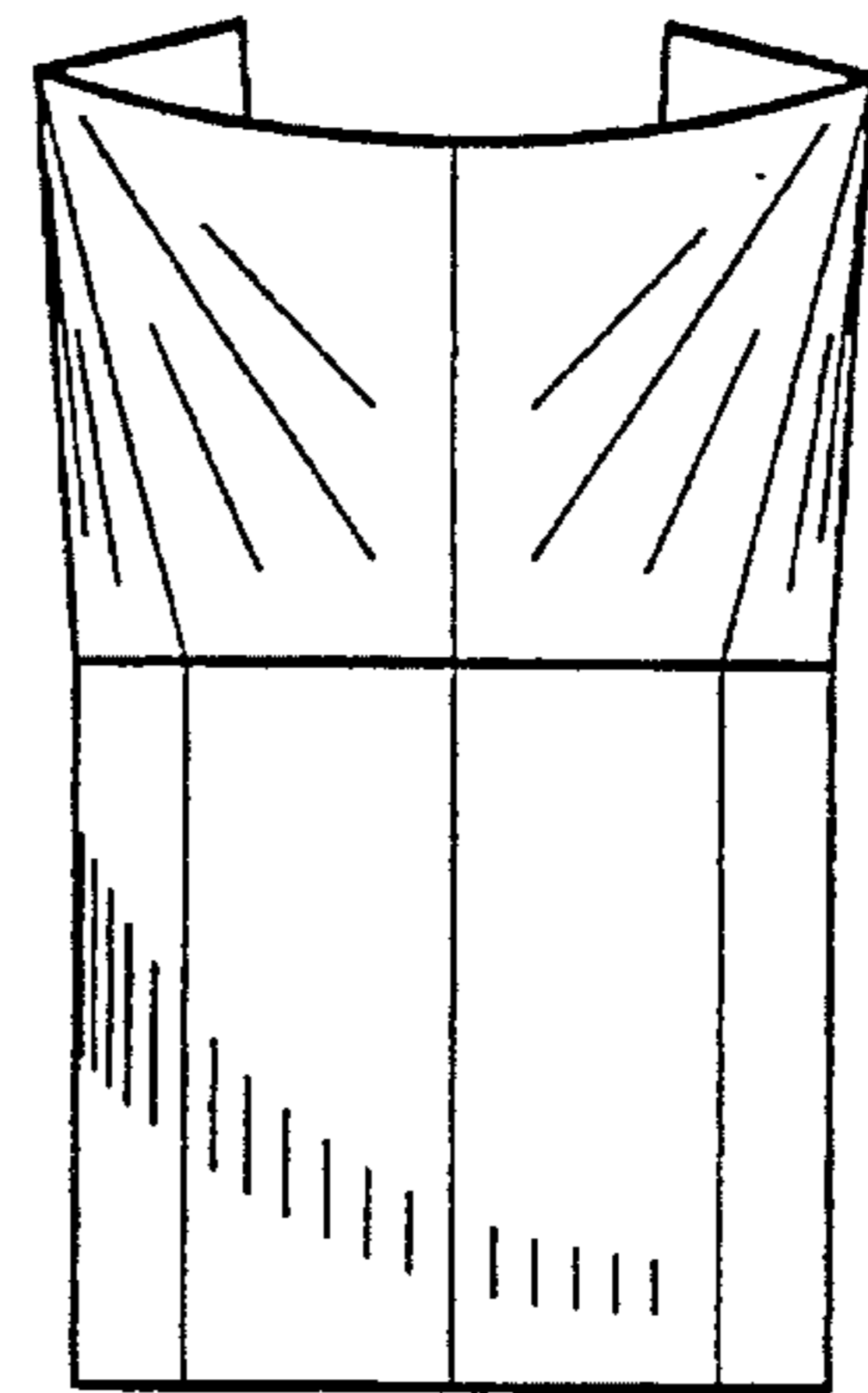


FIG. 39

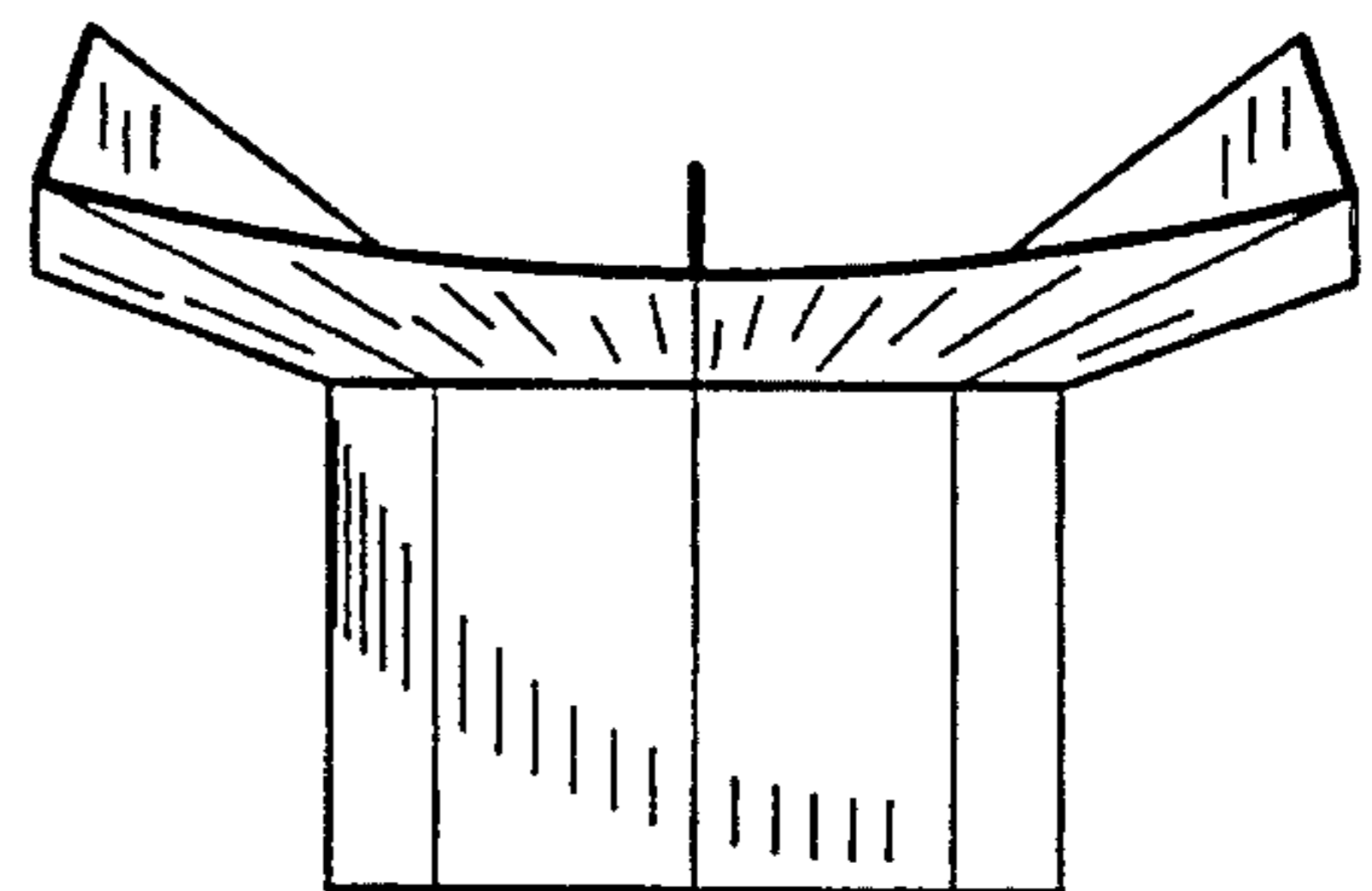


FIG. 41

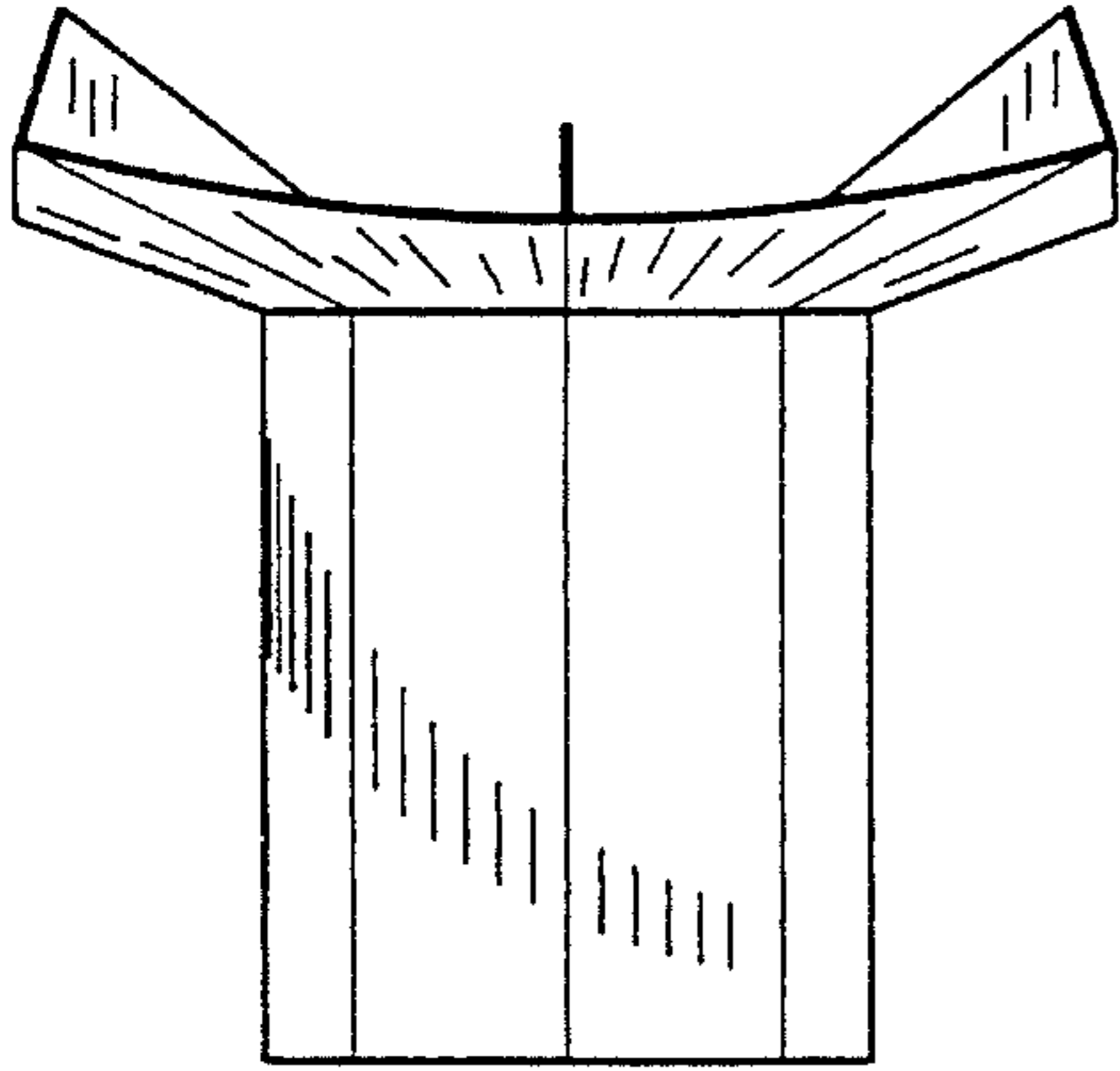


FIG. 42

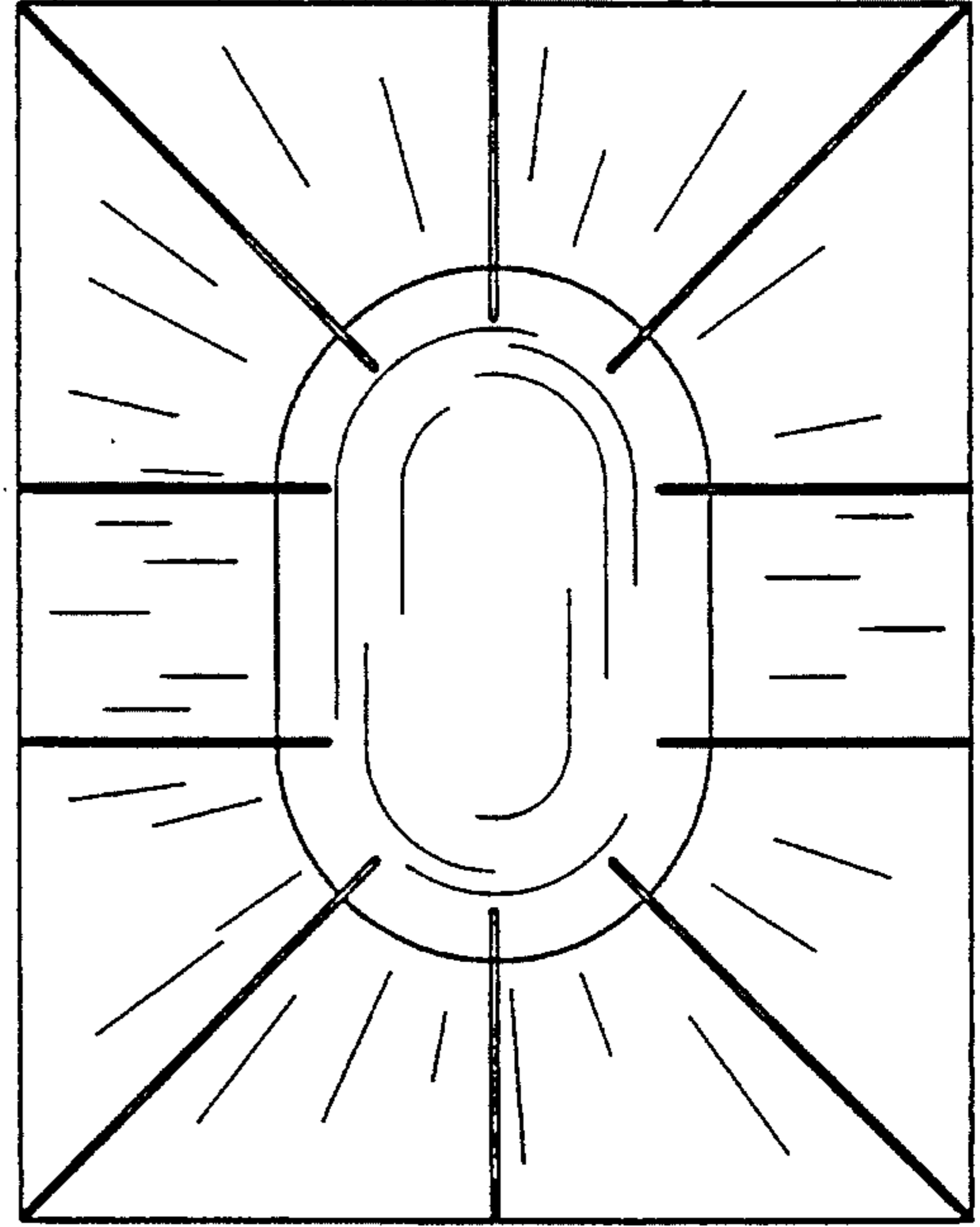


FIG. 43

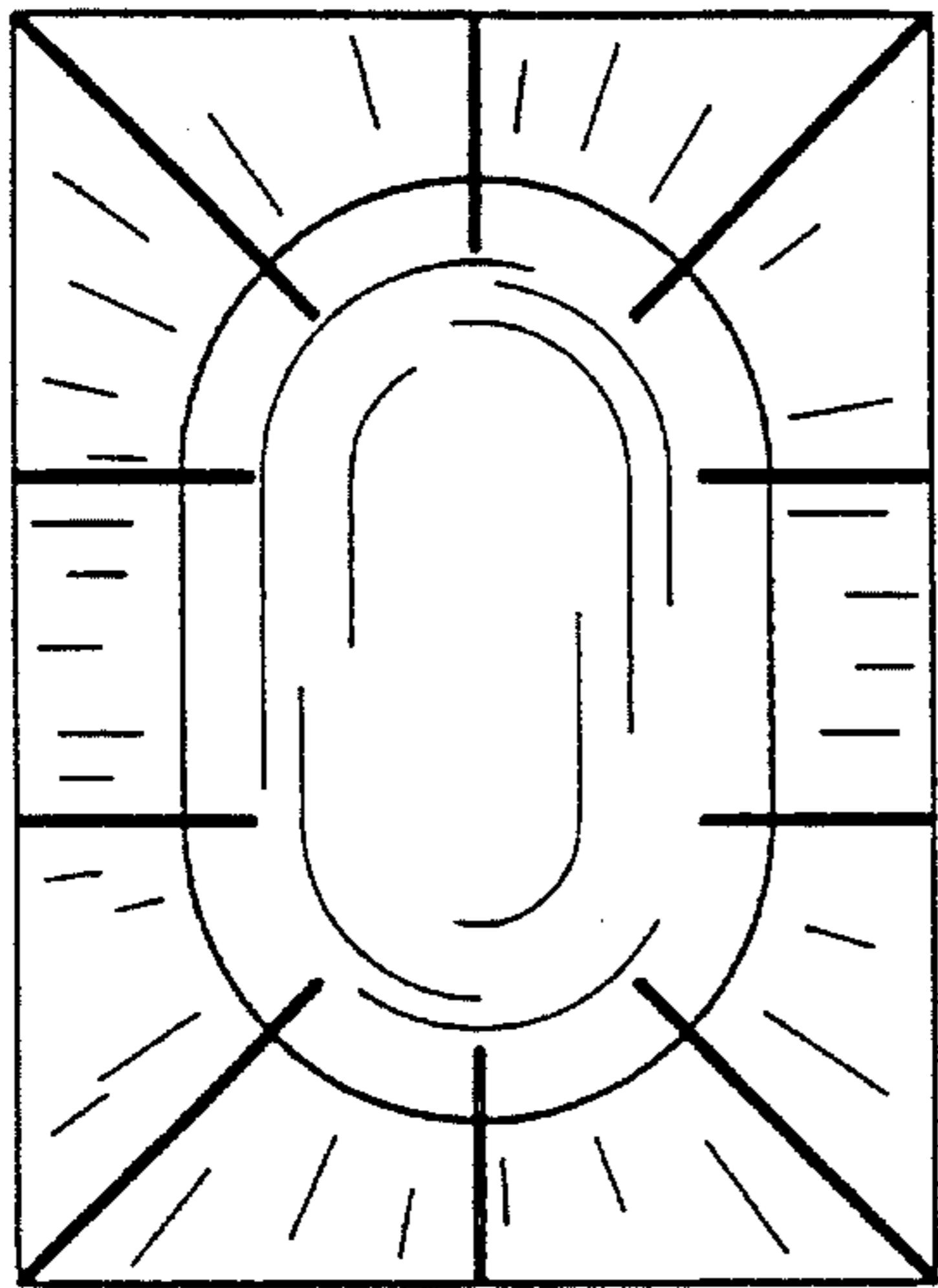


FIG. 44

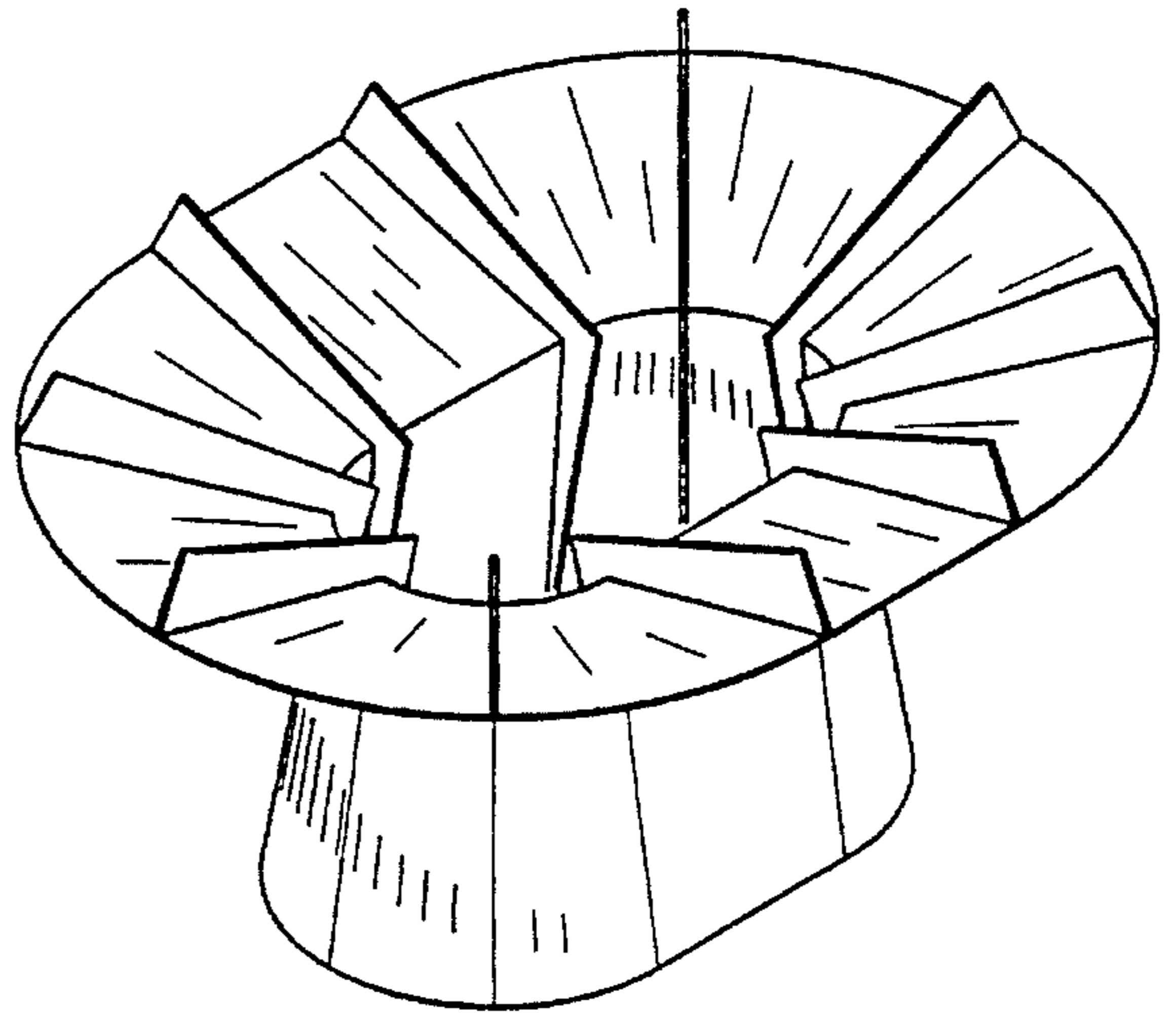


FIG. 45

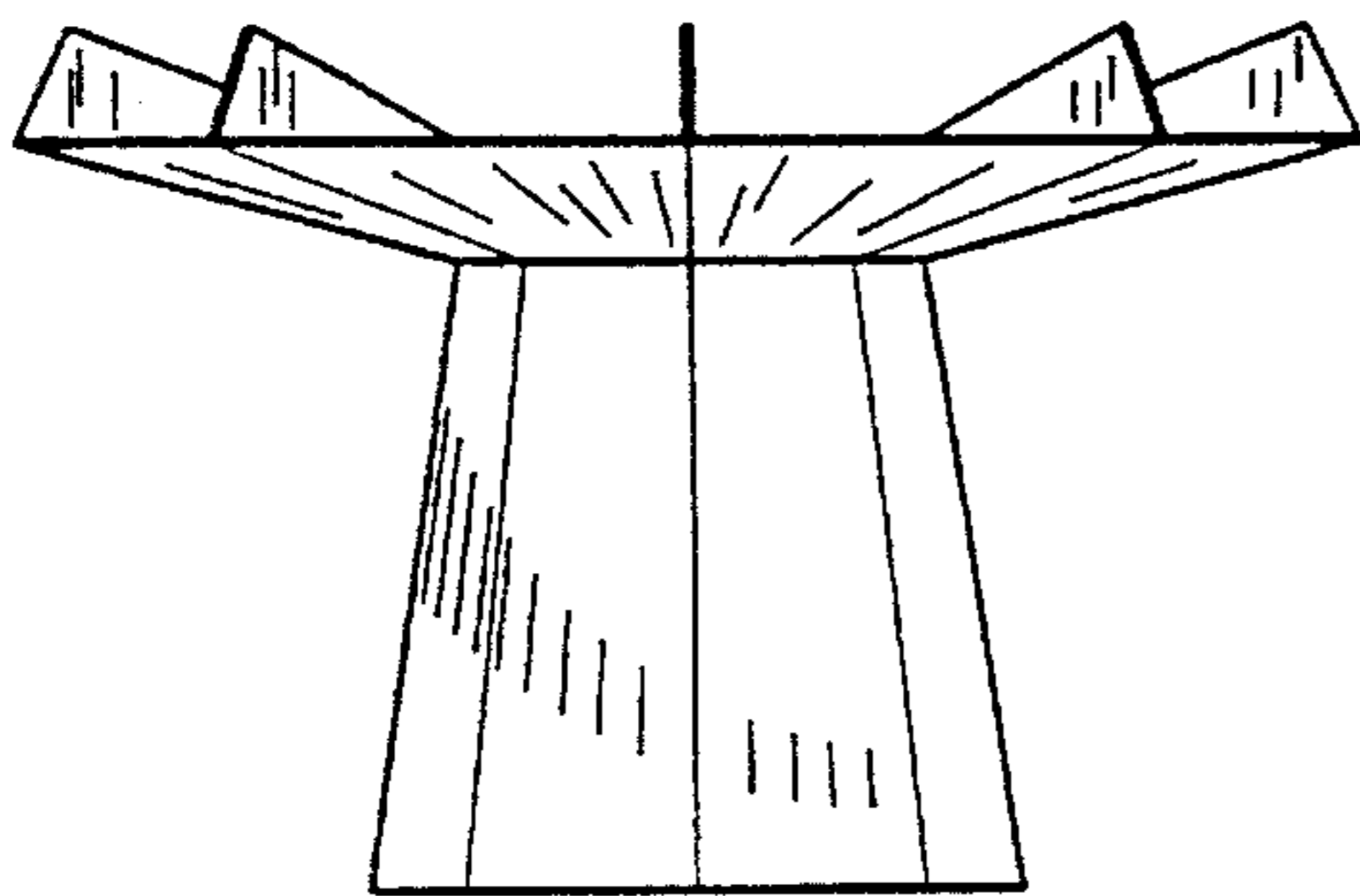


FIG. 46

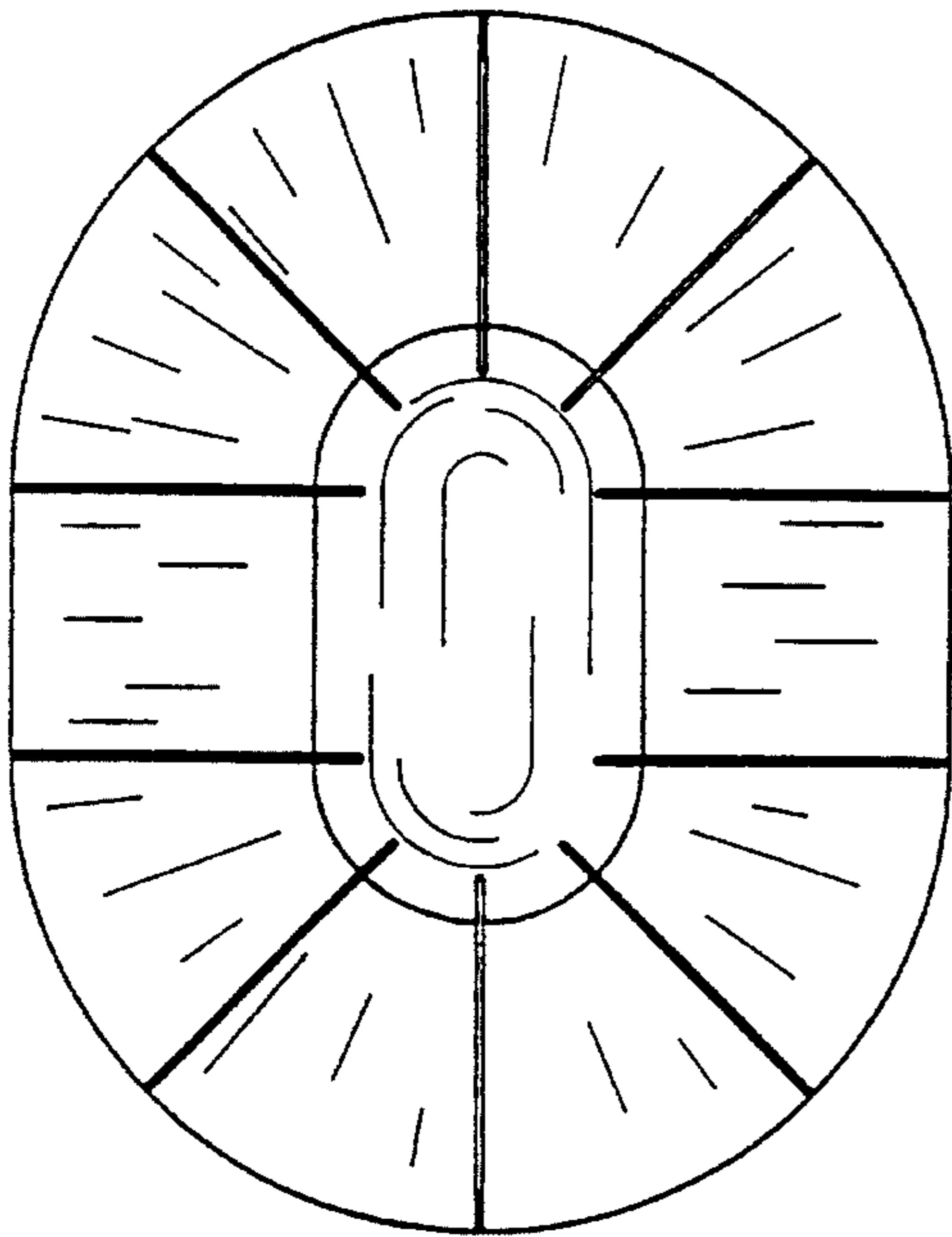


FIG. 47

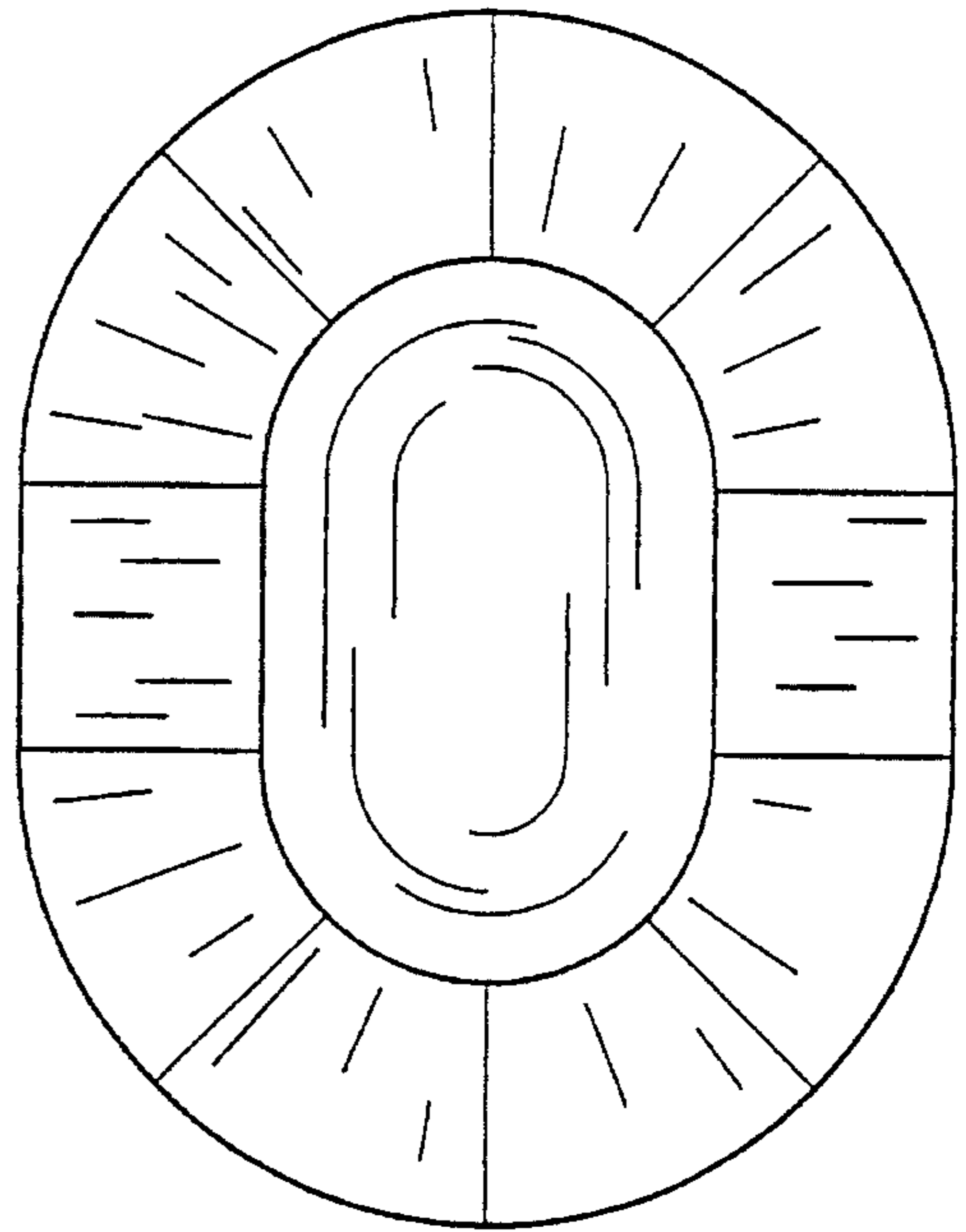


FIG. 48

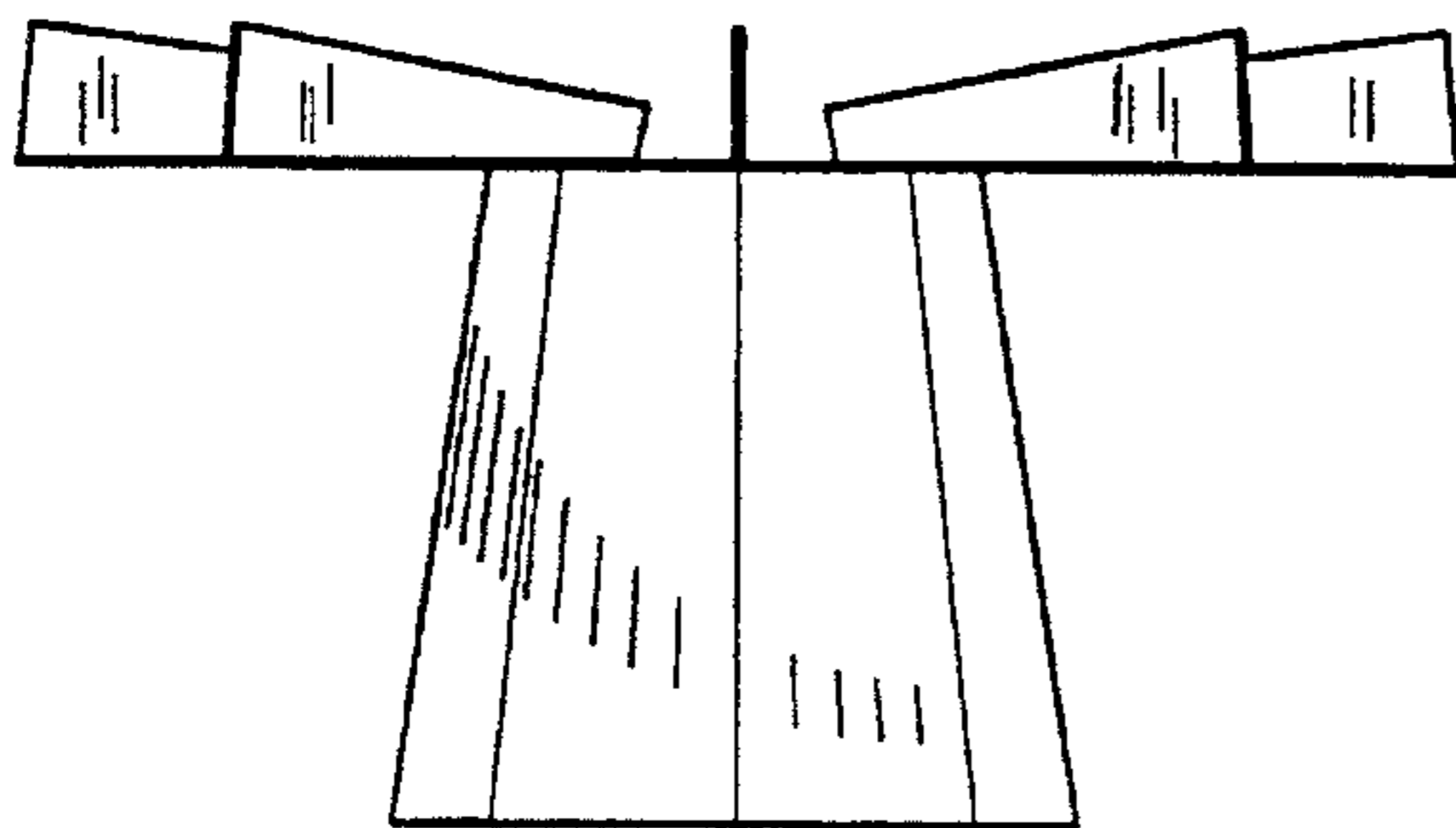


FIG. 49

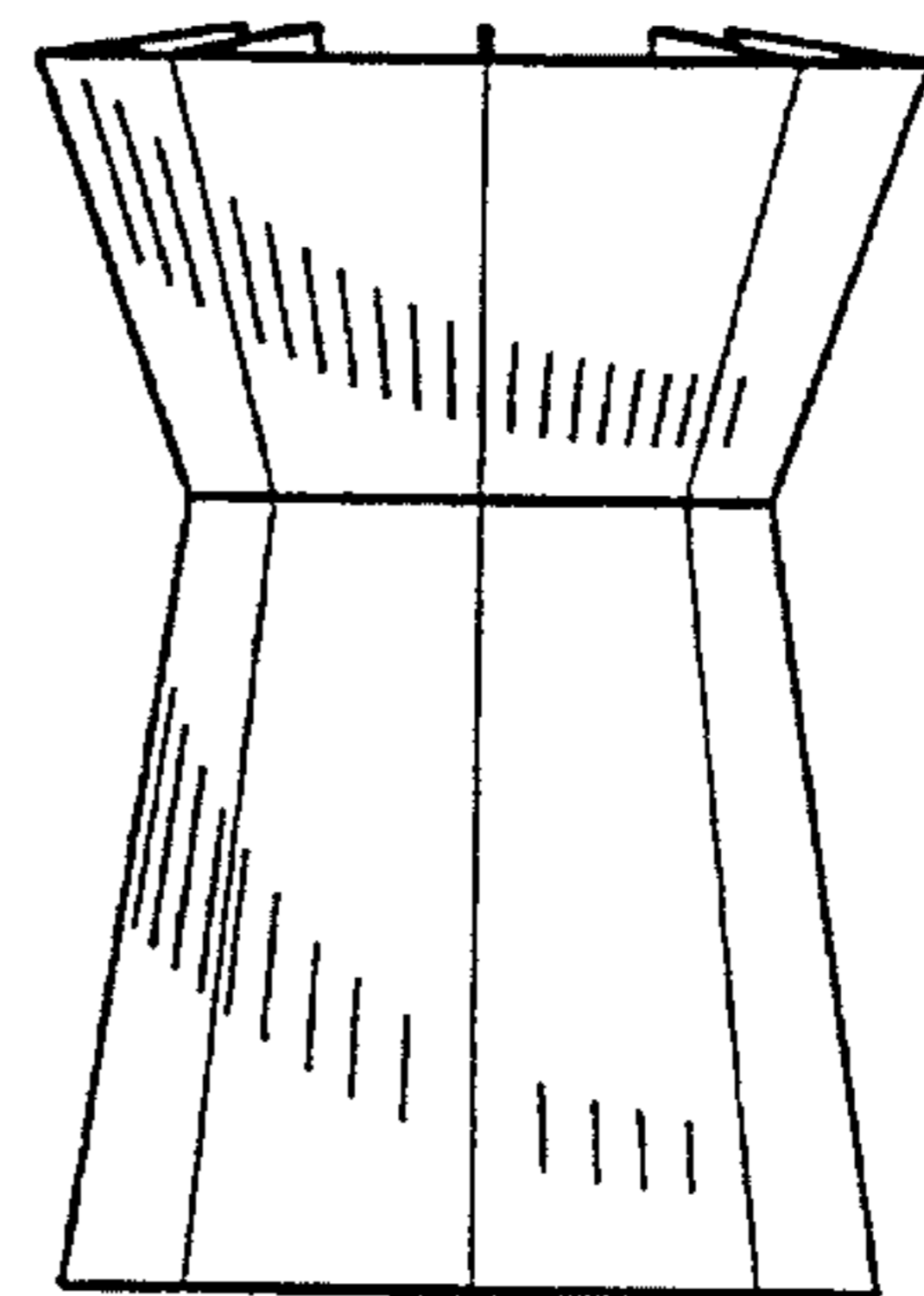


FIG. 50

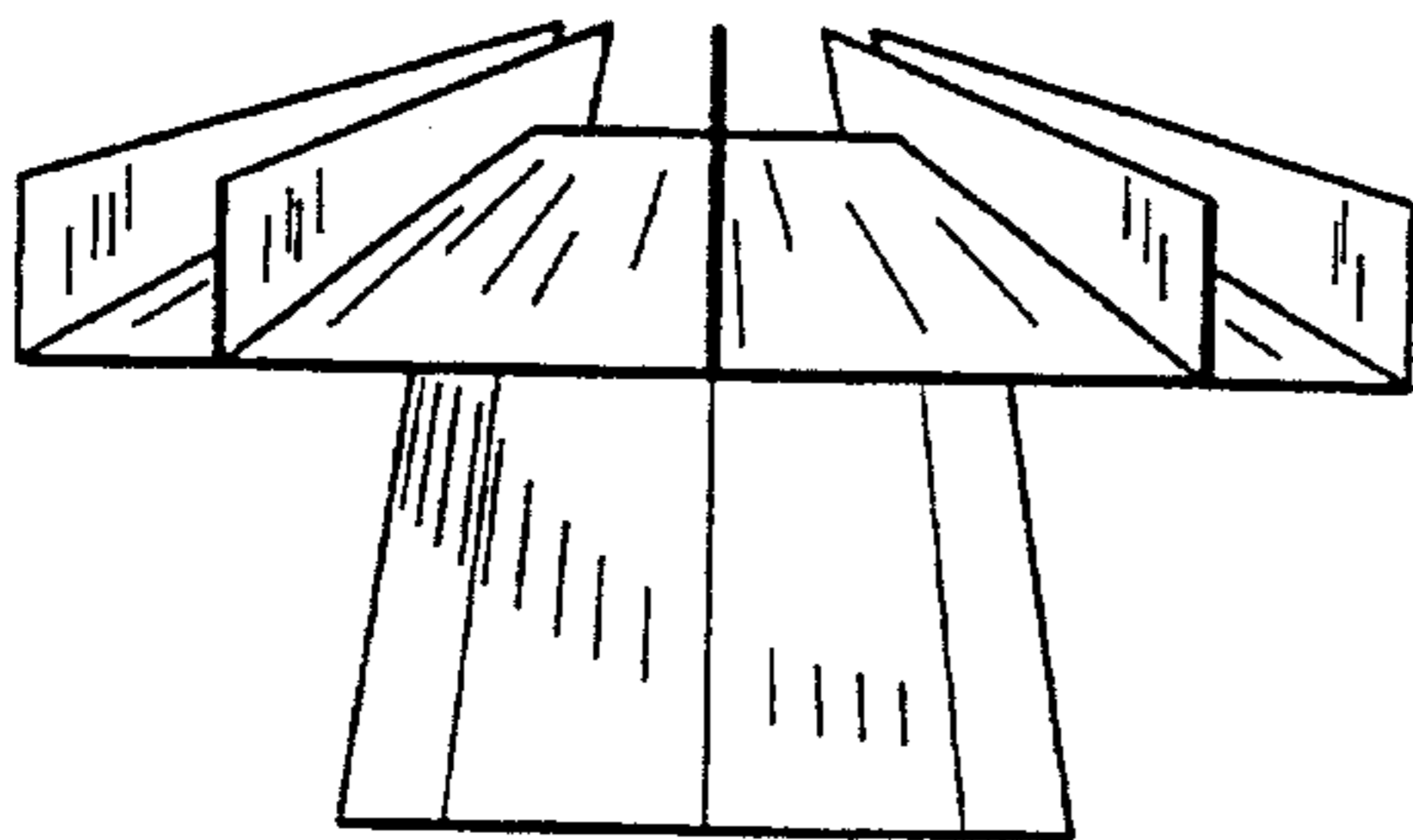


FIG. 51

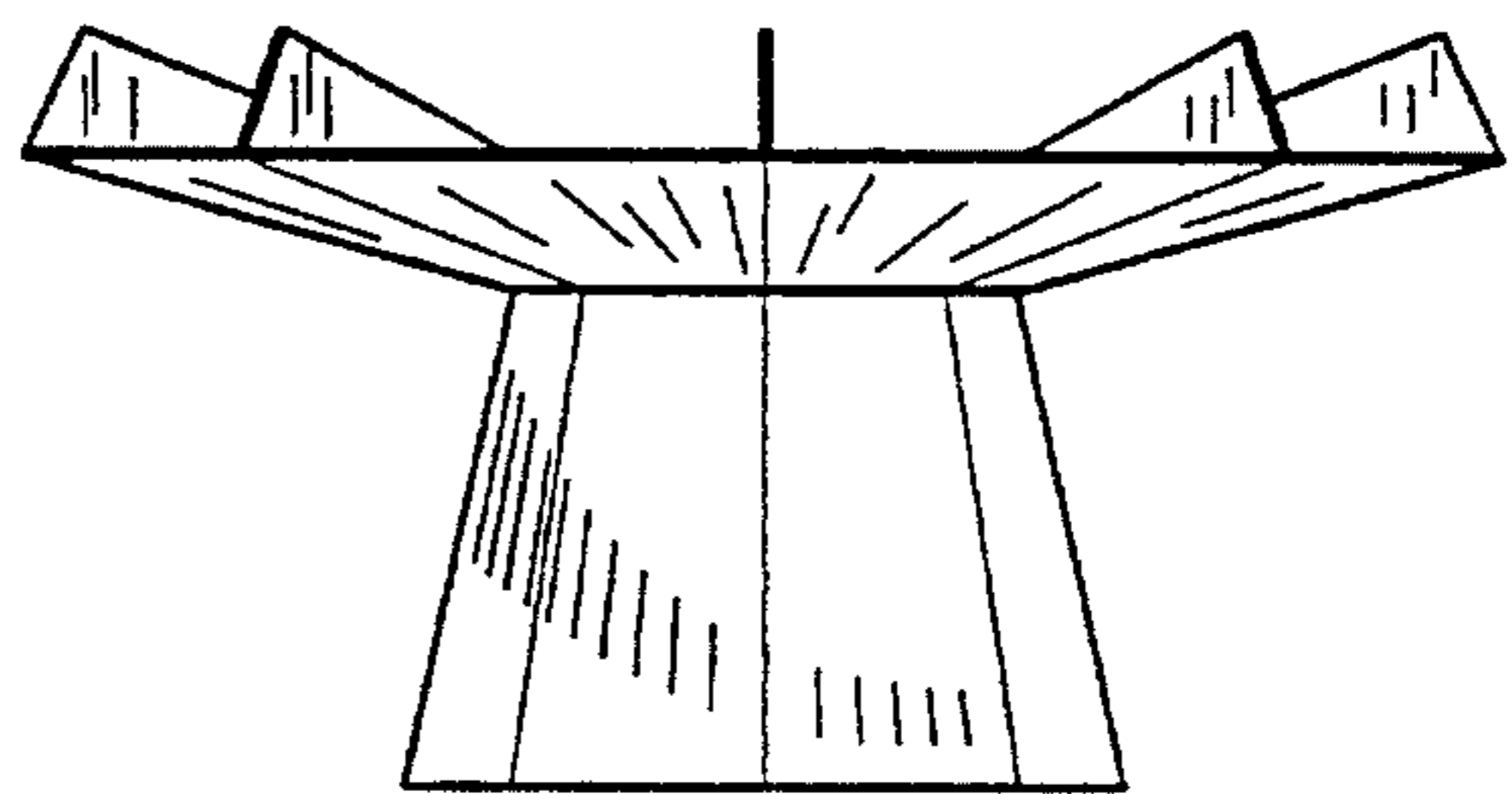


FIG. 52

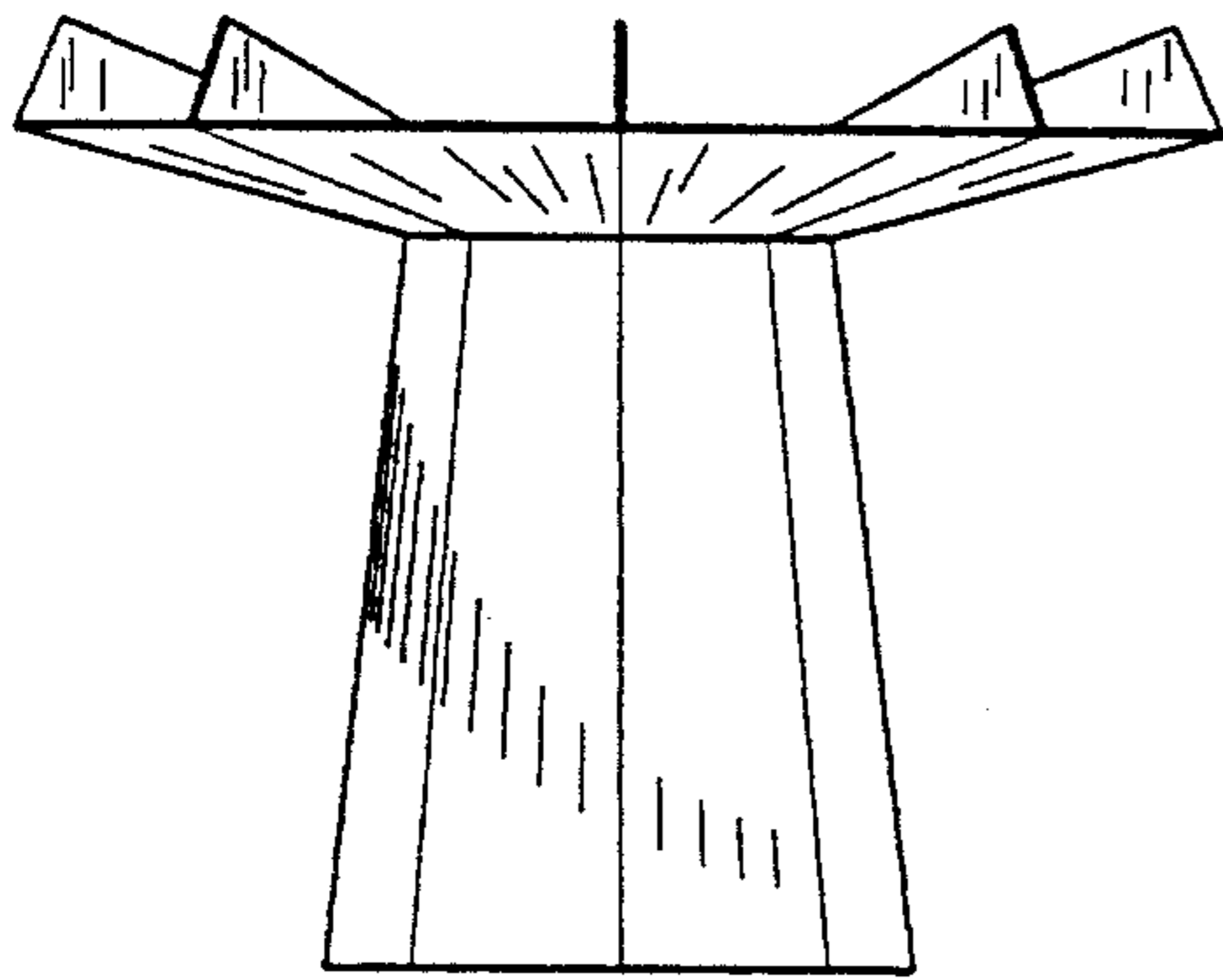


FIG. 53

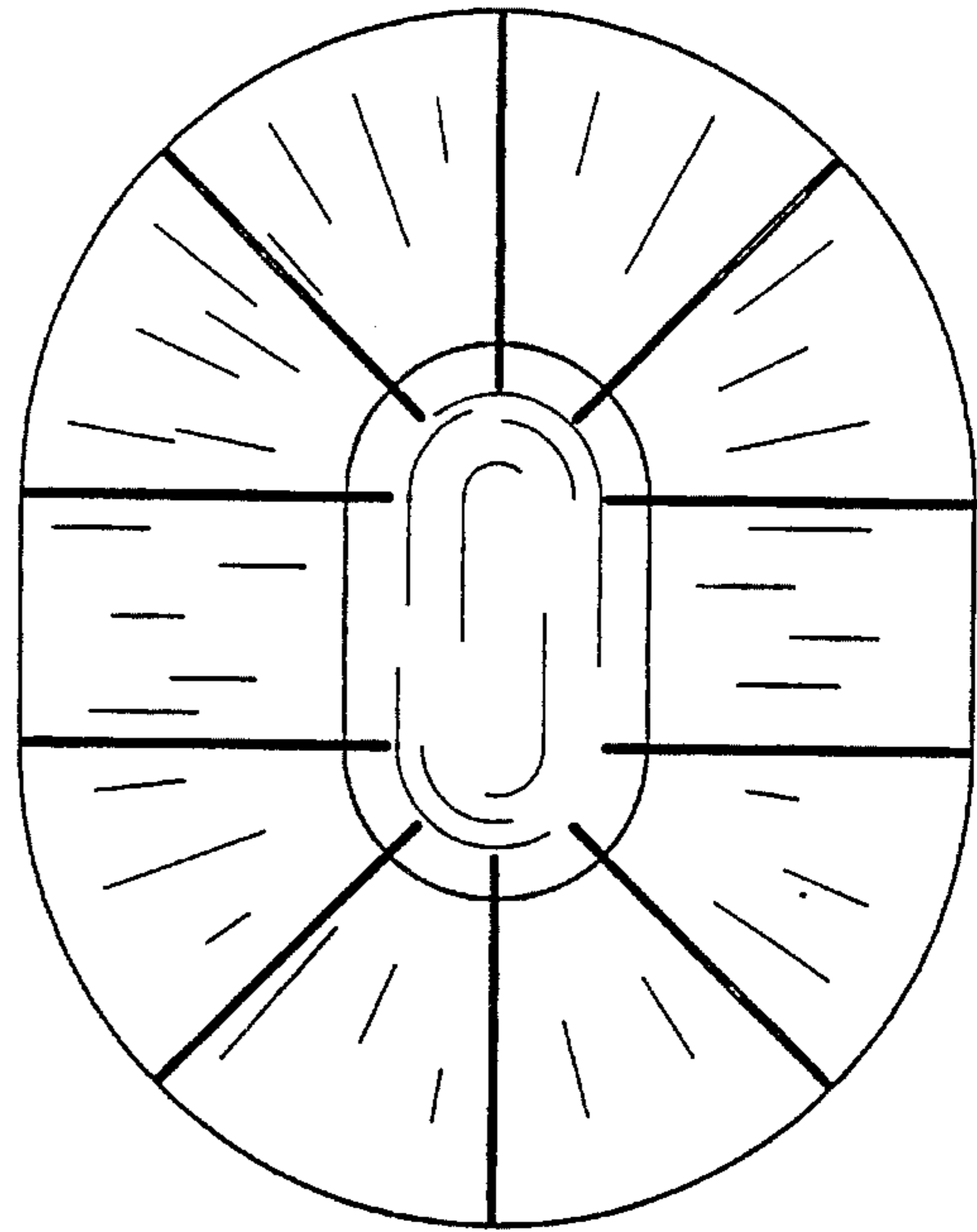


FIG. 54

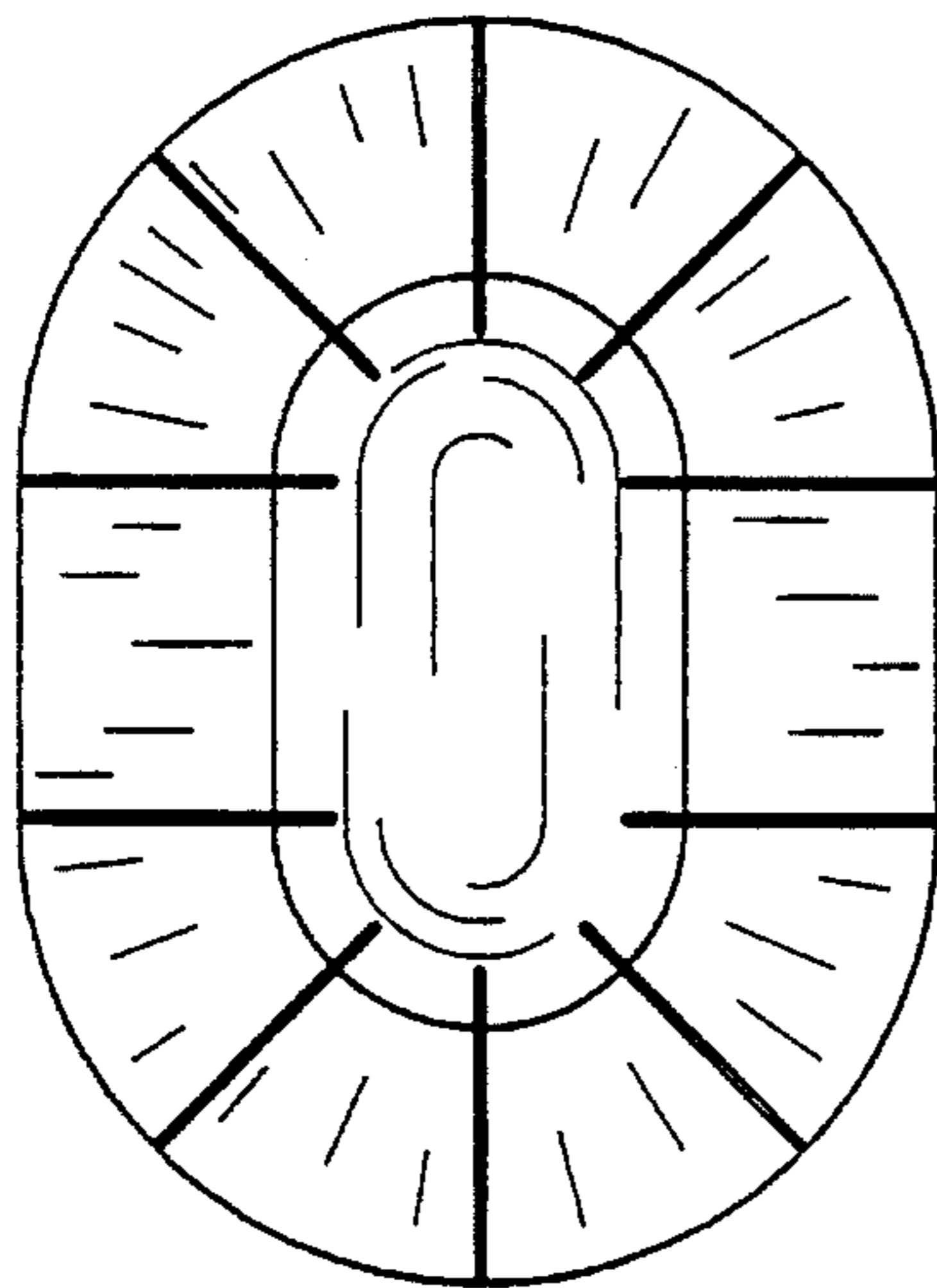


FIG. 55

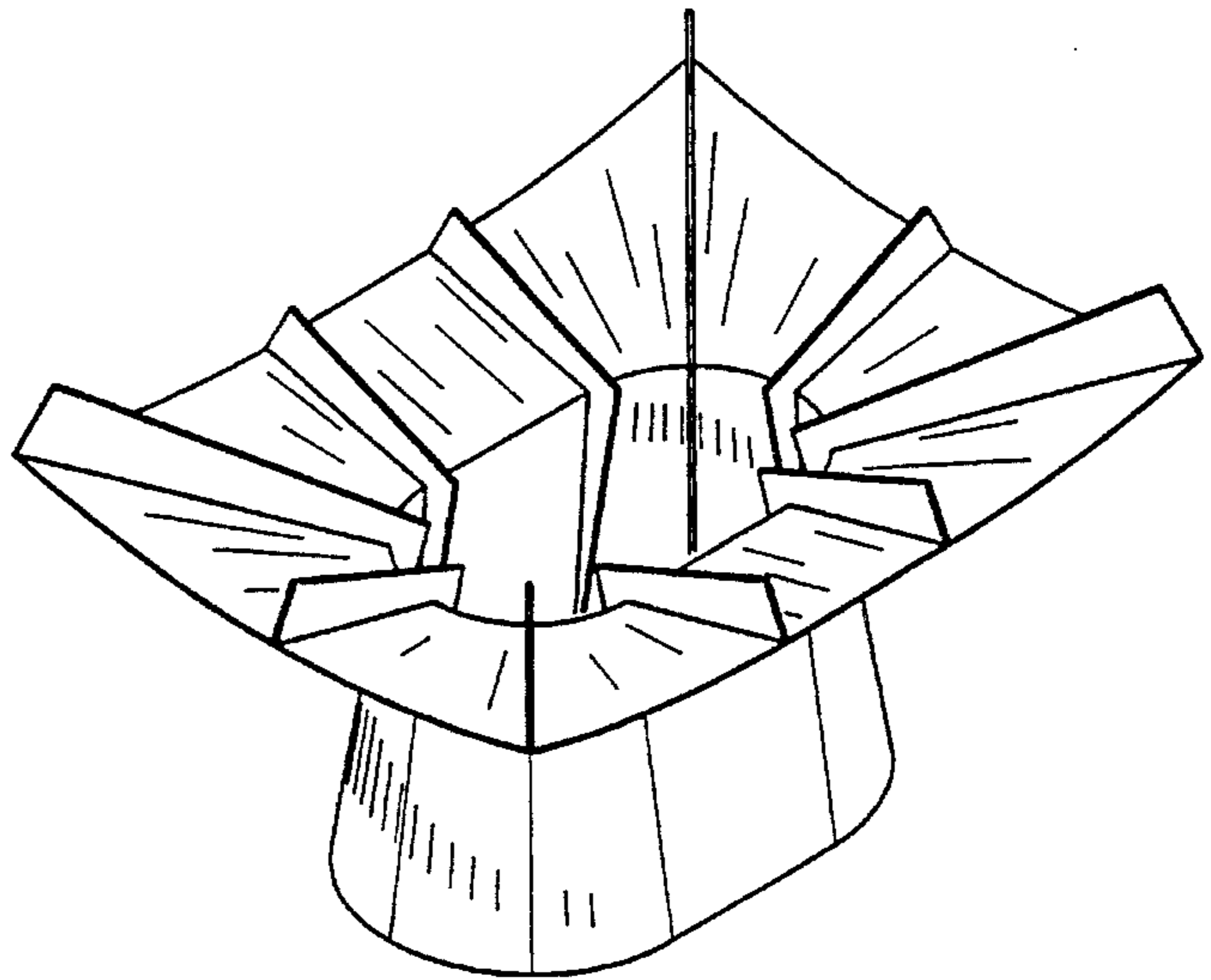


FIG. 56

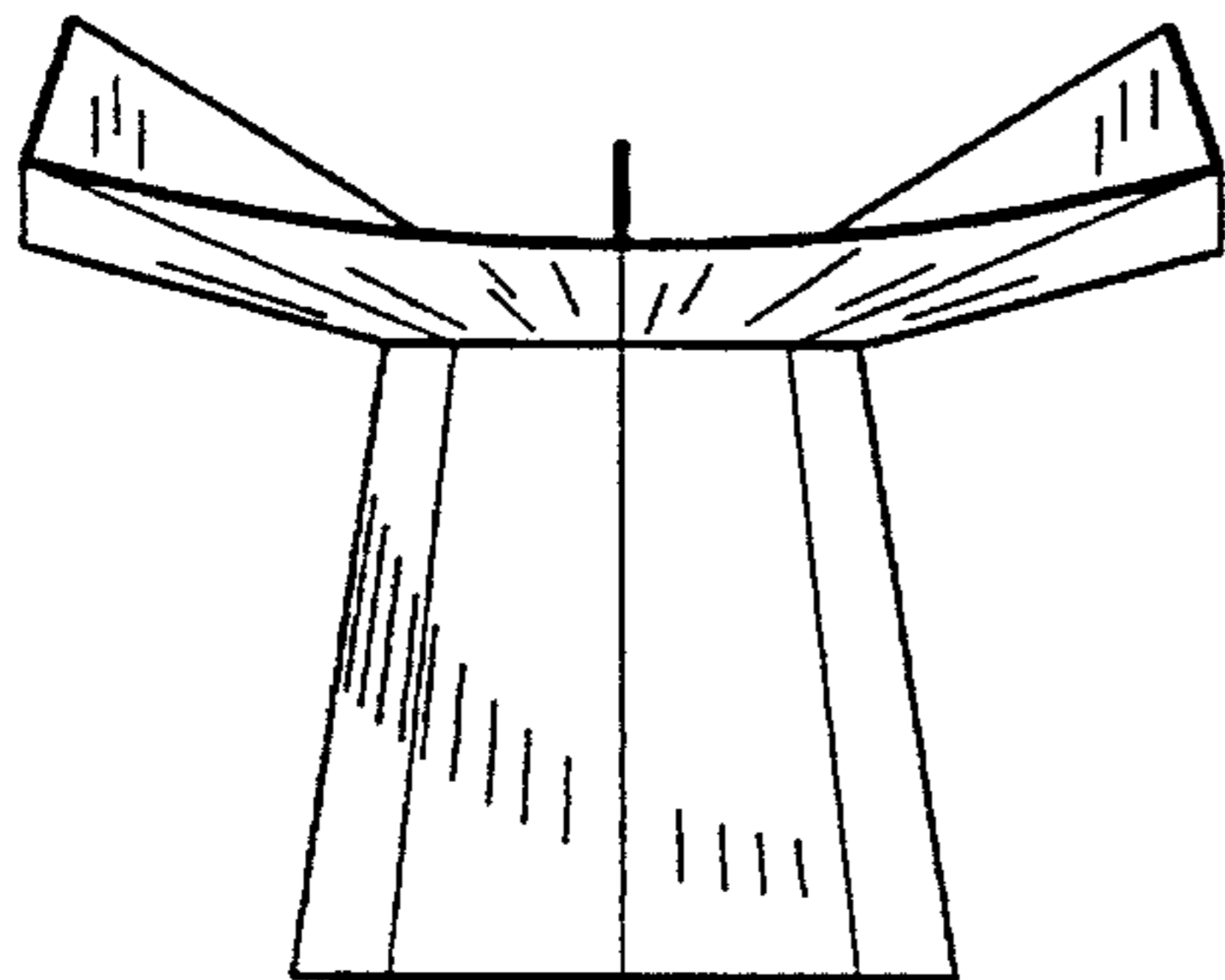
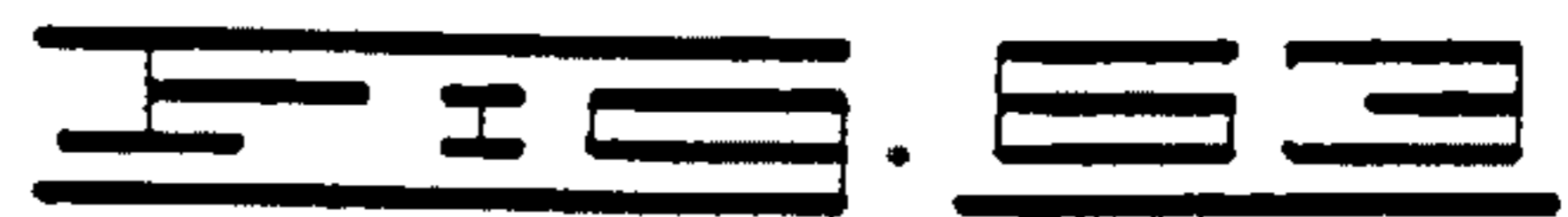
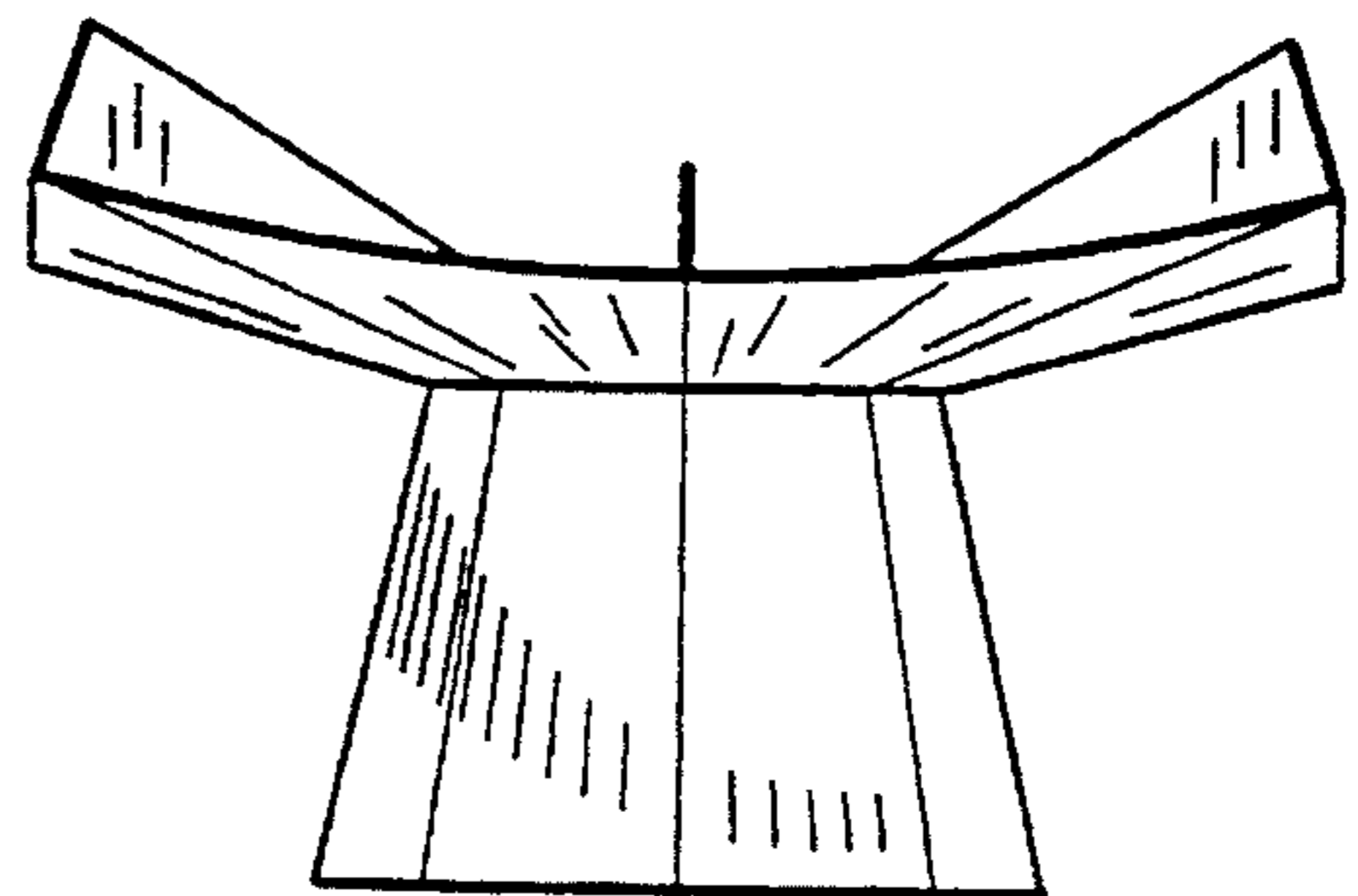
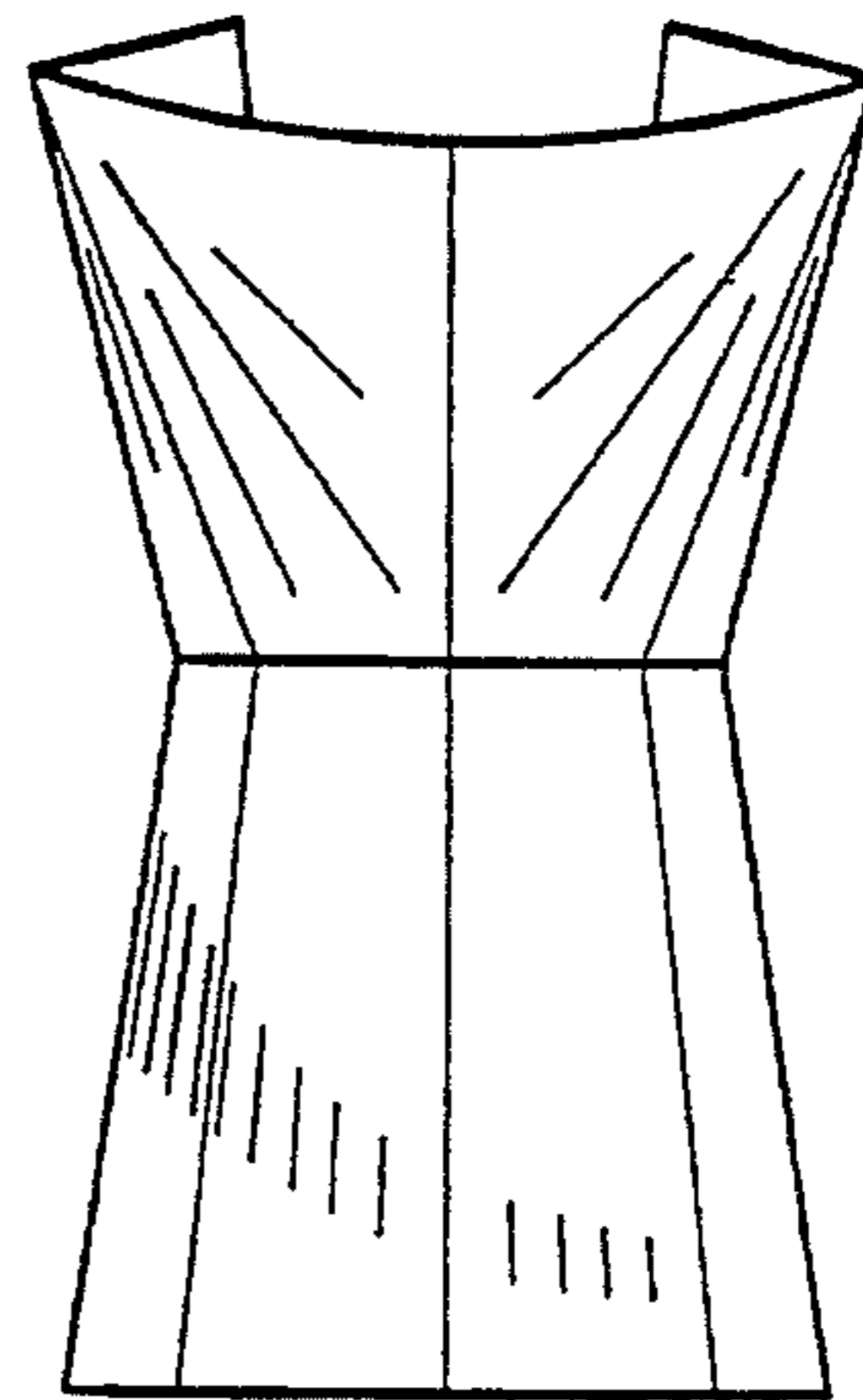
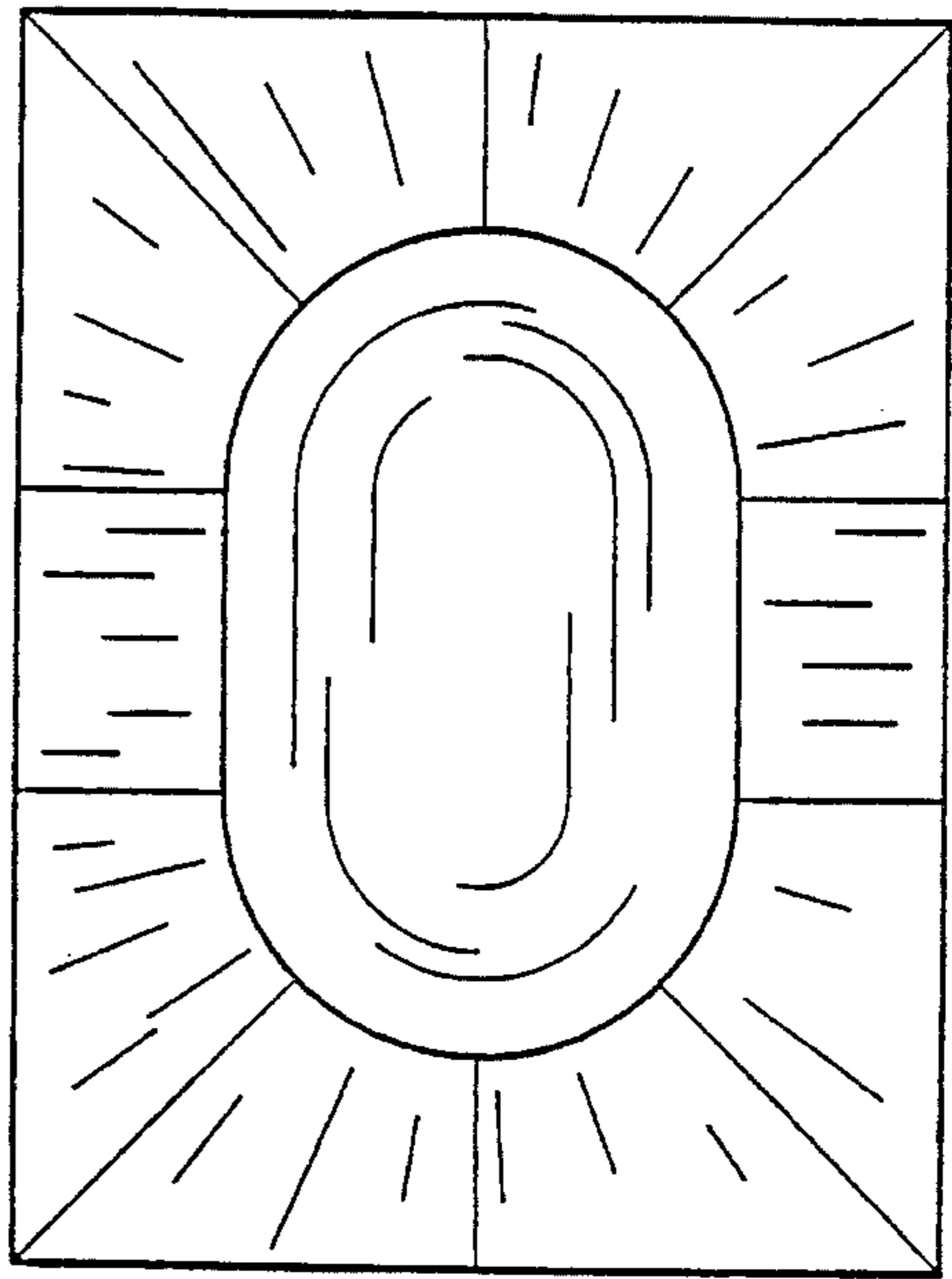
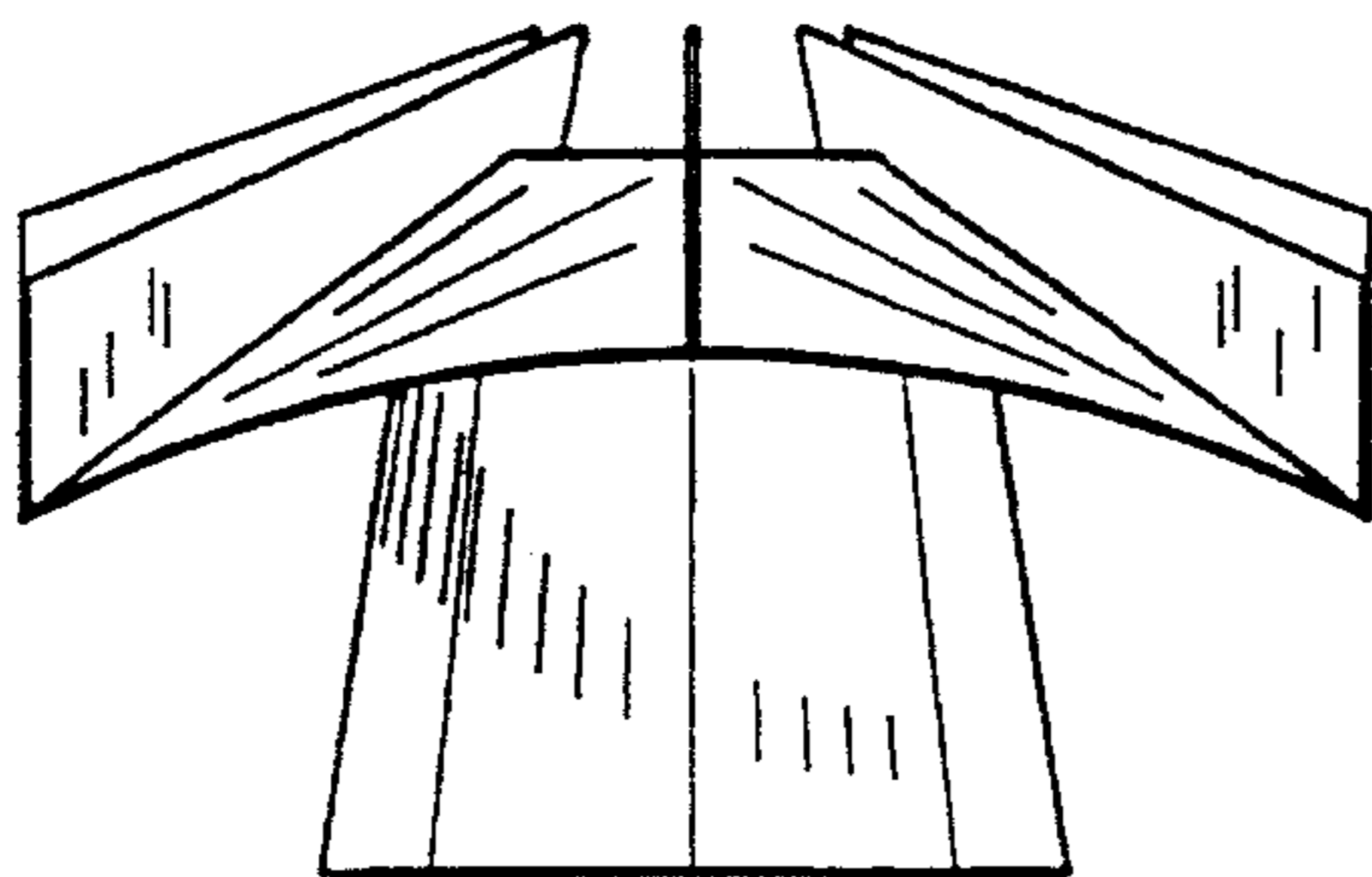
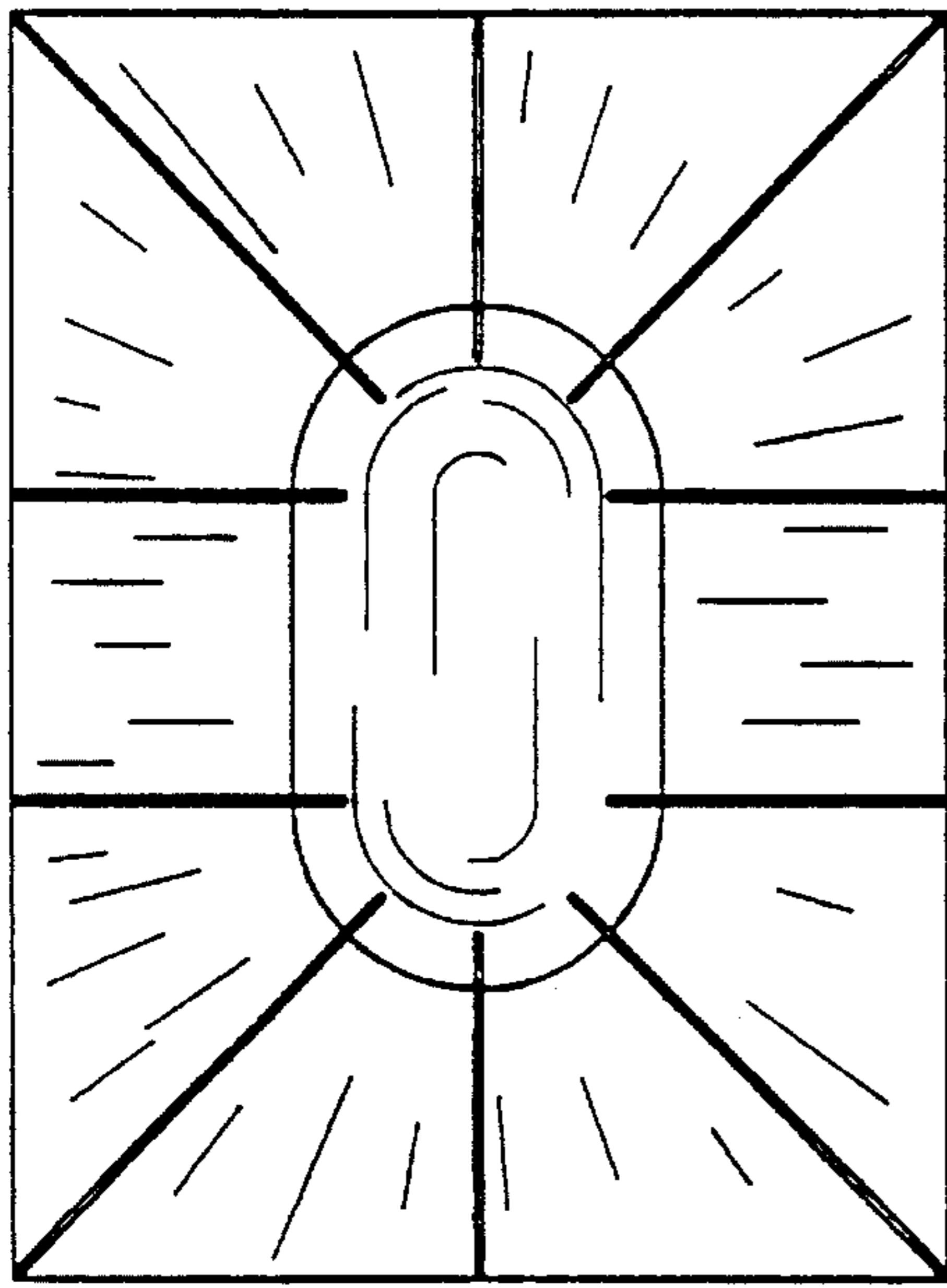


FIG. 57



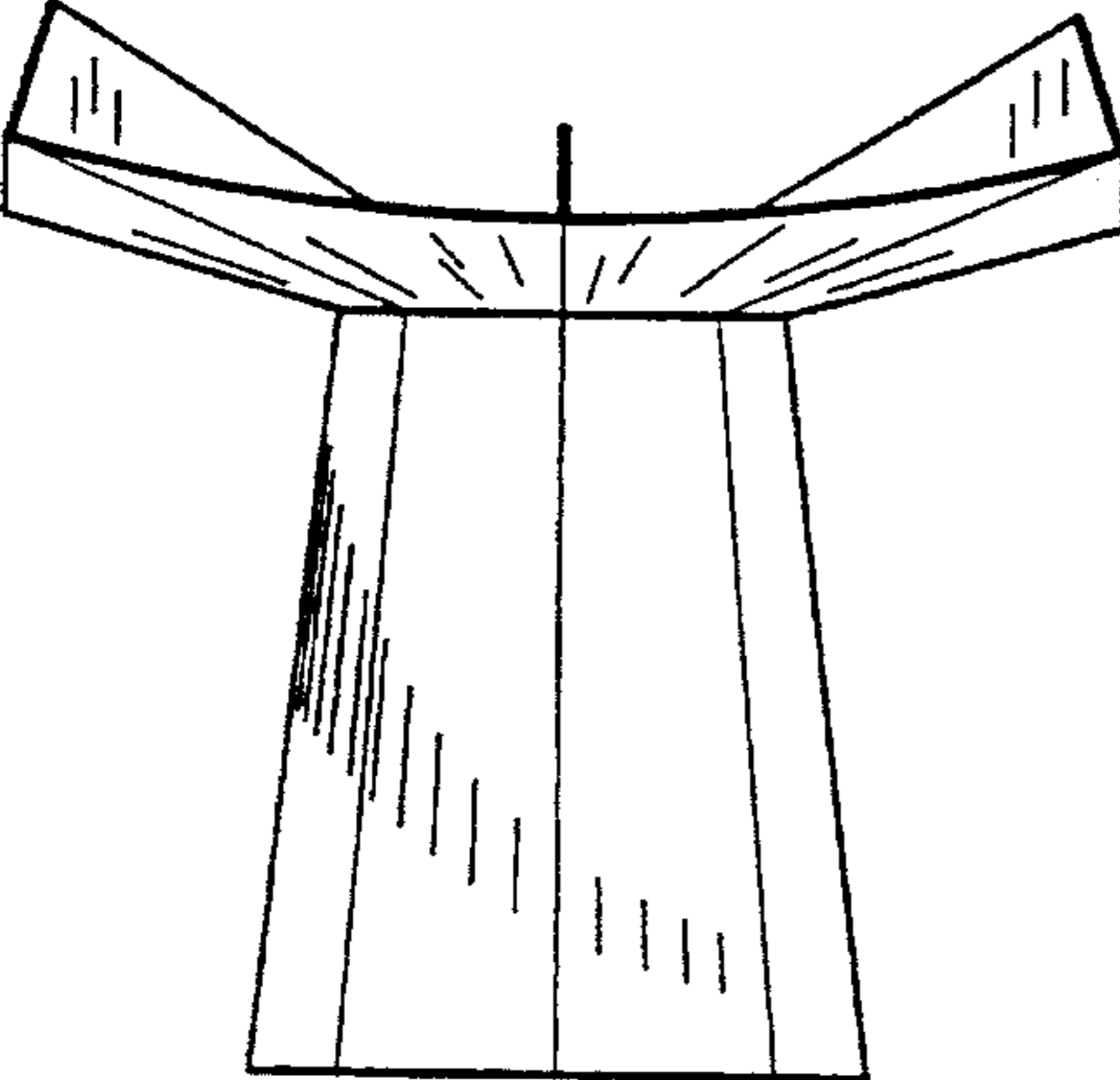


FIG. 5A

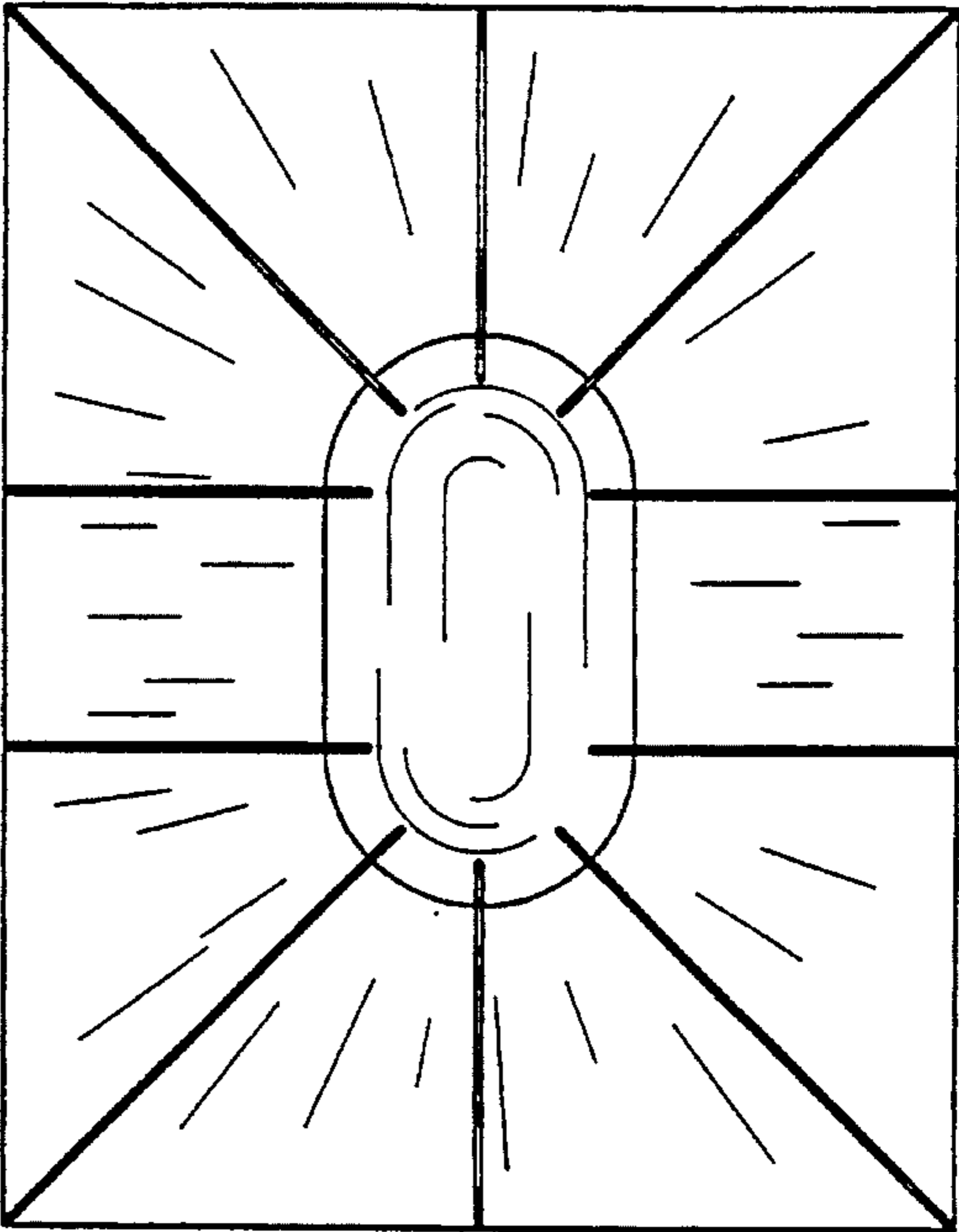


FIG. 5B

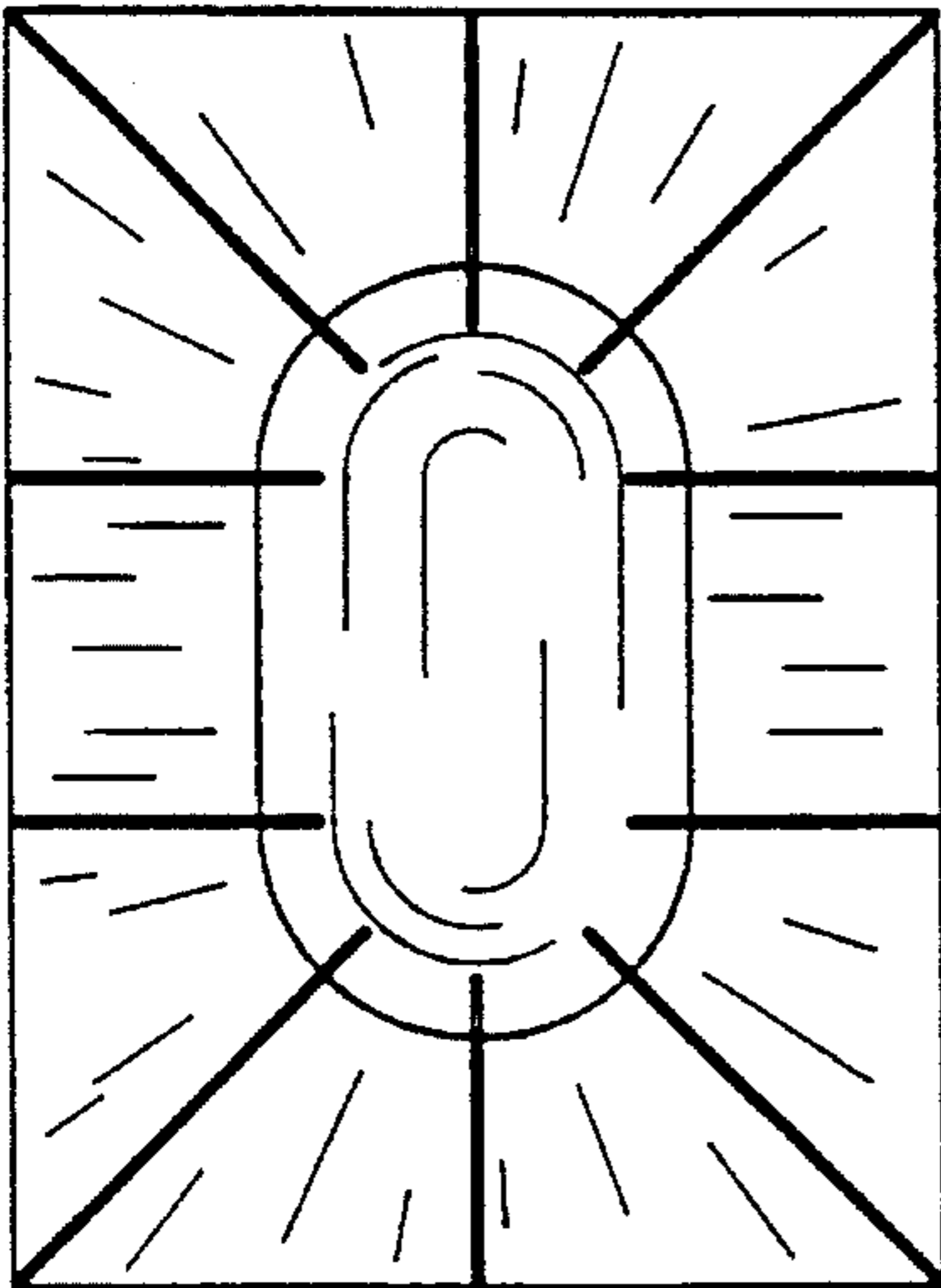


FIG. 5C