



US00D364566S

**United States Patent** [19]

[11] **Patent Number: Des. 364,566**

**Douer**

[45] **Date of Patent: \*\*Nov. 28, 1995**

[54] **UNIQUE CAP WHICH CONVERTS A CUP INTO A HIGH QUALITY SHAKER**

D. 278,034 3/1985 Cafiero et al. .... D9/437  
5,277,324 1/1994 Cash ..... 220/256

[76] Inventor: **Morris I. Douer**, P.O. Box 230-244  
Gravesend Station, Brooklyn, N.Y.  
11223

**OTHER PUBLICATIONS**

Quart-size jar with measuring cap, Maxwell House® Coffee advertisement. *Better Homes & Gardens*, Jun. 1977, p. 139.

[\*\*] Term: **14 Years**

*Primary Examiner*—Alan P. Douglas  
*Assistant Examiner*—Rob Spear

[21] Appl. No.: **24,978**

[57] **CLAIM**

[22] Filed: **Jun. 24, 1994**

The ornamental design for a unique cap which converts a cup into a high quality shaker, as shown and described.

[52] U.S. Cl. .... **D9/436; D9/447**

[58] **Field of Search** ..... D7/300.1, 392.1;  
D9/434, 435, 440, 447, 452, 454, 499;  
215/224, 316; 220/306

**DESCRIPTION**

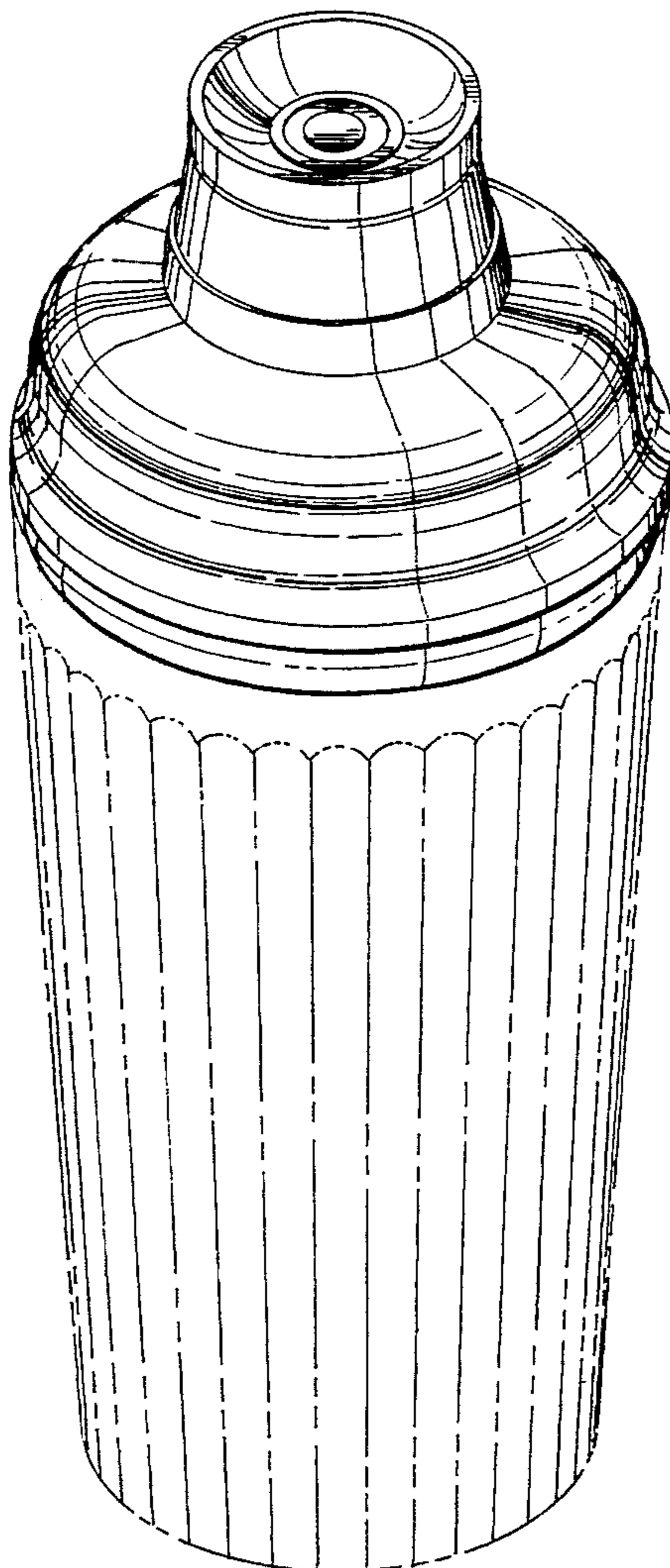
[56] **References Cited**

**U.S. PATENT DOCUMENTS**

D. 153,301 4/1949 Menkin ..... D9/450  
D. 170,840 11/1953 Tupper ..... D7/300.1  
D. 185,780 8/1959 Tupper ..... D7/300.1  
D. 189,164 11/1960 Hollister ..... D9/447  
D. 200,182 1/1965 Crowell et al. .... D9/448

FIG. 1 is an isometric view of the cap with a cup shown in phantom lines and forming no part of the claimed design; FIG. 2 is a top plan view of the cap; FIG. 3 is a bottom plan view of the cap; FIG. 4 is an elevational view of the cap, other elevational views thereof being identical; and, FIG. 5 is an isometric view of the bottom of the cap.

**1 Claim, 2 Drawing Sheets**



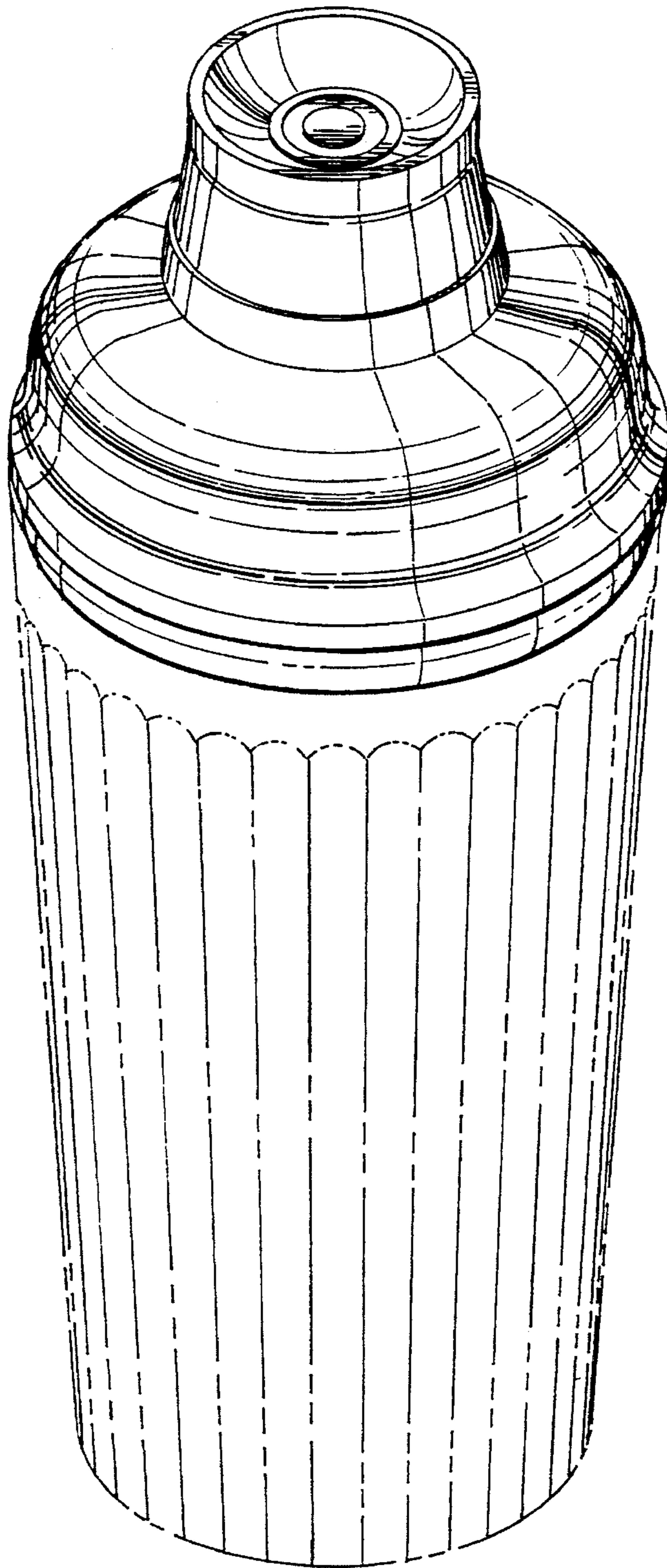


Fig. 1.

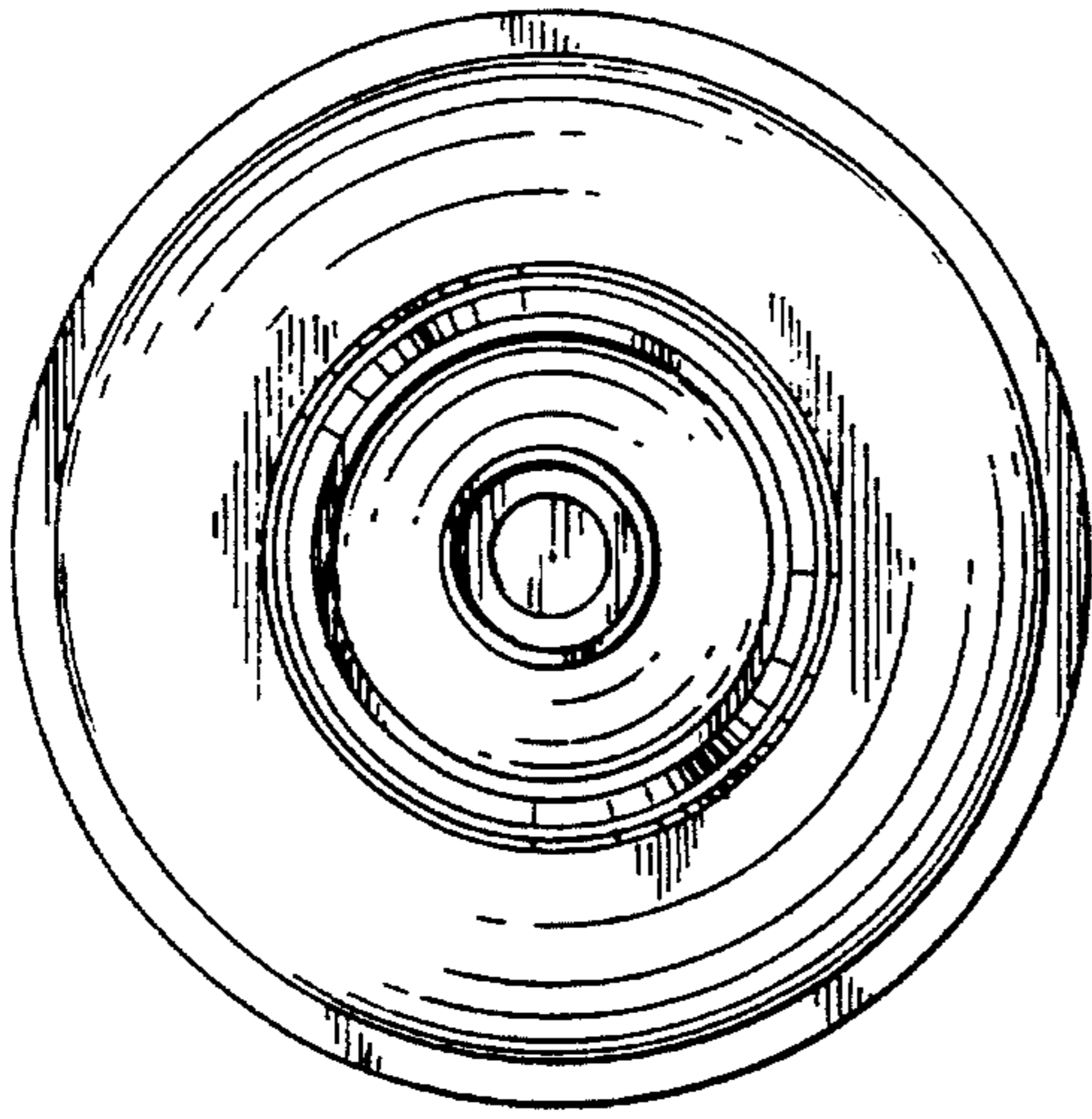


Fig. 2.

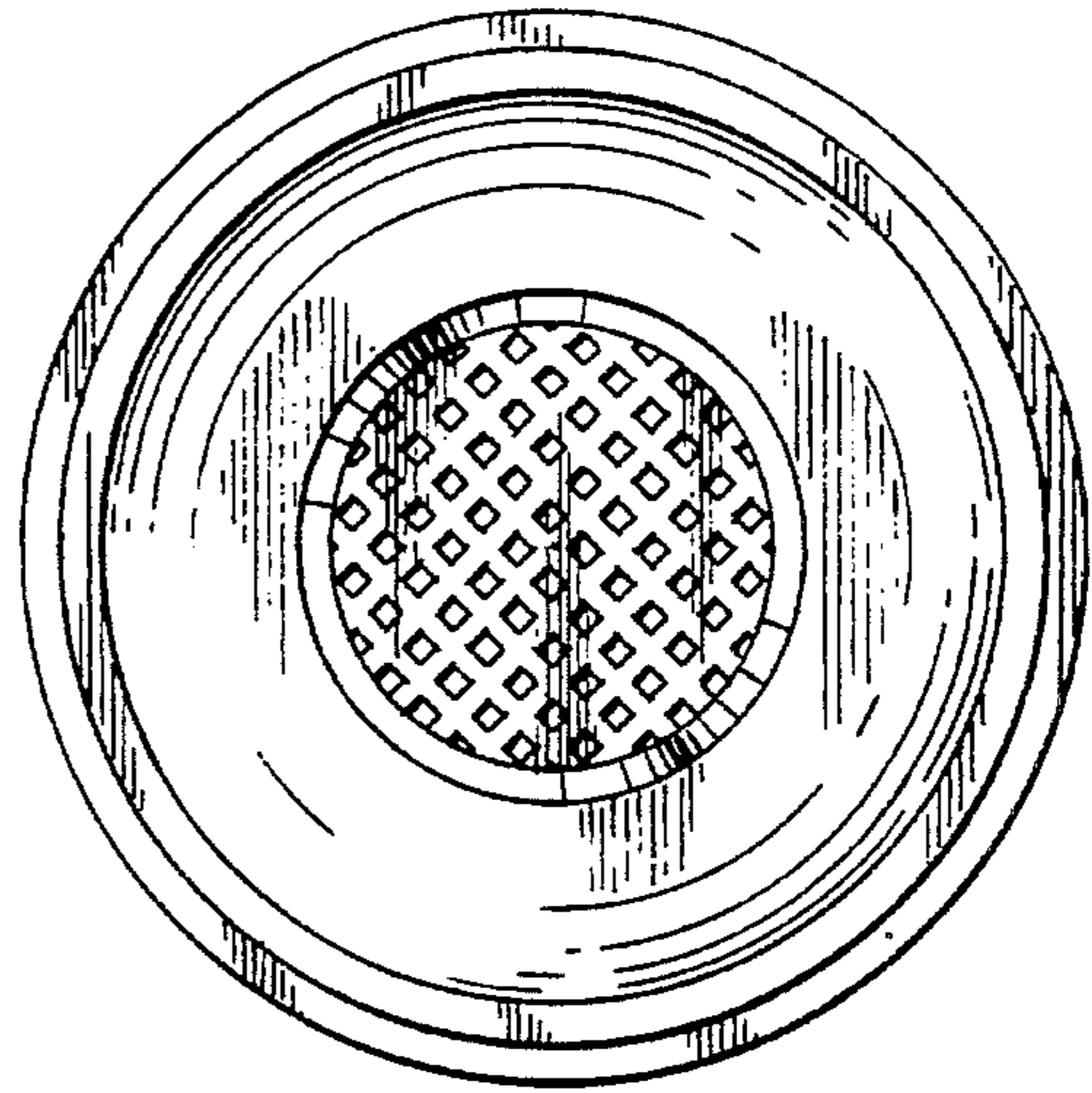


Fig. 3.

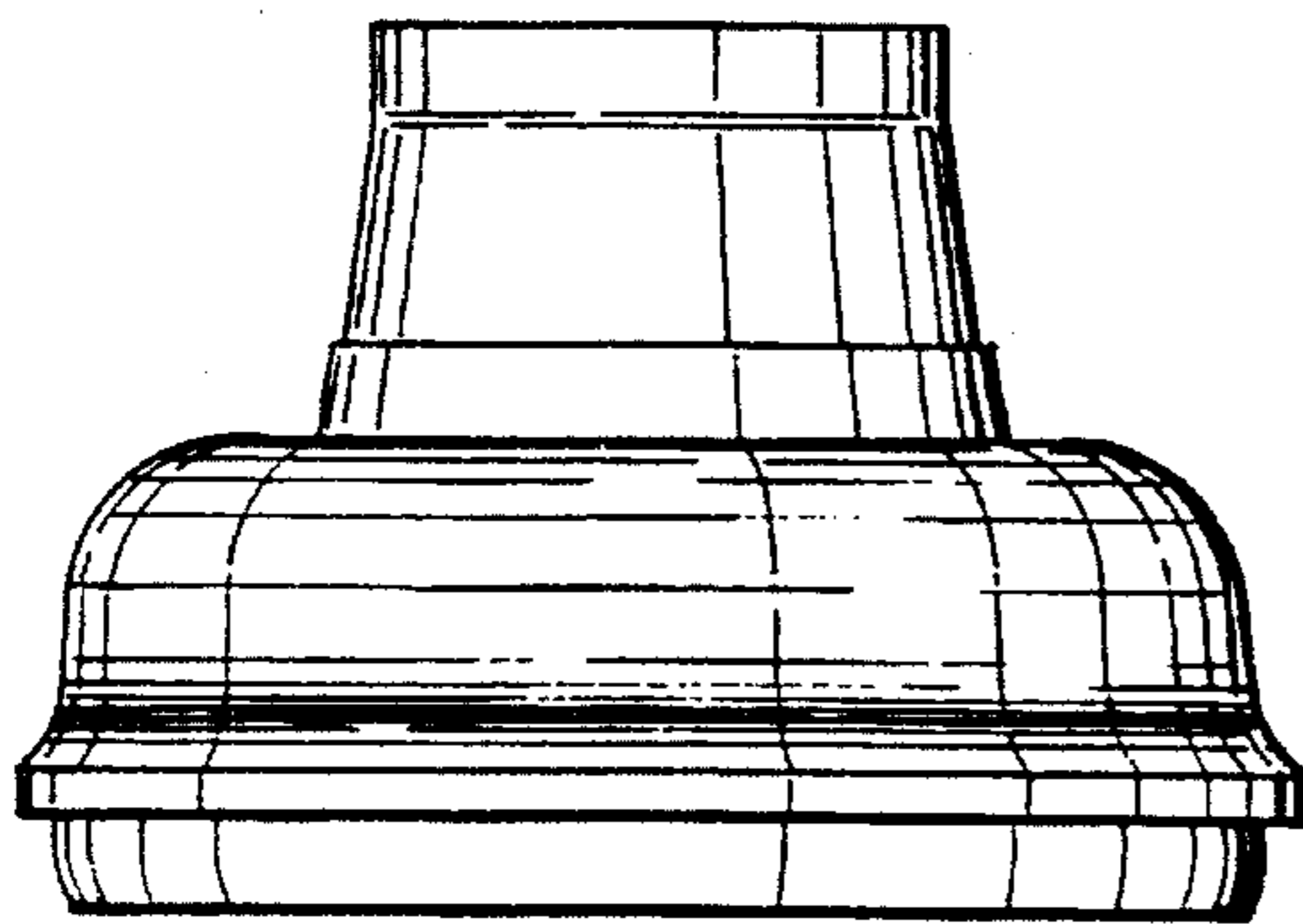


Fig. 4.

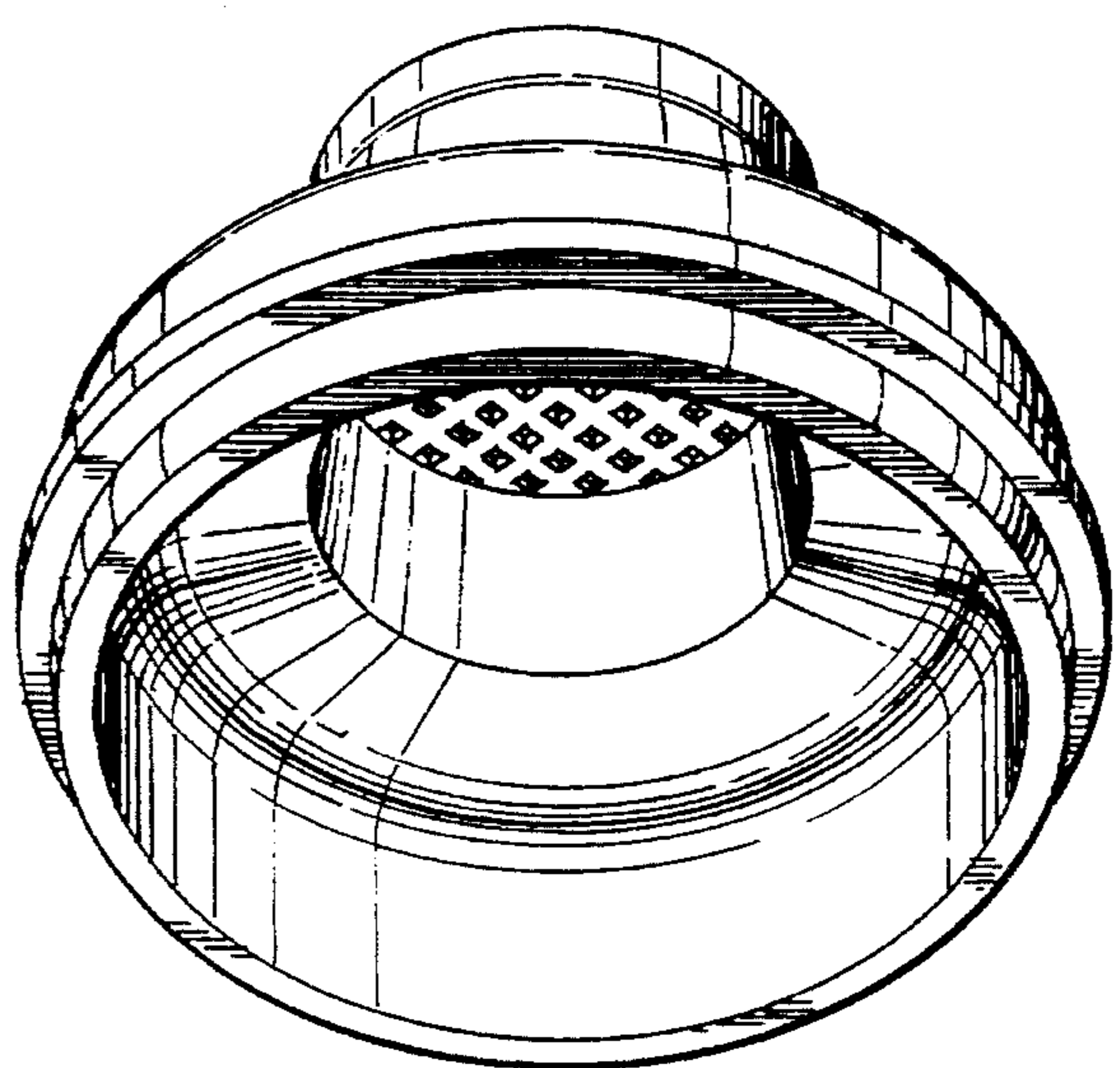


Fig. 5.