



US00D364564S

United States Patent [19]
Moore

[11] **Patent Number: Des. 364,564**

[45] **Date of Patent: **Nov. 28, 1995**

[54] **CONTAINER**

[75] Inventor: **Richard L. Moore**, Fairhope, Ala.

[73] Assignee: **The Lerio Corporation**, Mobile, Ala.

[**] Term: **14 Years**

[21] Appl. No.: **29,930**

[22] Filed: **Oct. 19, 1994**

[52] U.S. Cl. **D9/429**

[58] **Field of Search** D9/428, 429, 425,
D9/424, 456, 553, 555, 556, 569; D7/601,
608, 641; 206/518, 508; 220/657, 669,
673, 674, 675, 912

[56] **References Cited**

U.S. PATENT DOCUMENTS

D. 276,025	10/1984	Hexamer	D9/425
D. 317,126	5/1991	Morris, Sr.	D9/428
D. 338,636	8/1993	Moore	D9/428 X
D. 353,094	12/1994	Labrie	D9/428
D. 357,411	8/1995	Klapwald	D9/429
3,944,124	3/1976	Hexel	220/675 X
5,203,836	4/1993	Brazis et al.	220/657 X

Primary Examiner—Prabhakar G. Deshmukh
Attorney, Agent, or Firm—Roylance, Abrams, Berdo & Goodman

[57] **CLAIM**

The ornamental design for a container, as shown and described.

DESCRIPTION

FIG. 1 is an elevated perspective view of a first embodiment of a container showing my new design;
 FIG. 2 is a front side view of the container of FIG. 1, the rear side view being a mirror image thereof;
 FIG. 3 is a top plan view of the container of FIG. 1;
 FIG. 4 is a right side view of the container of FIG. 1, the left side view being a mirror image thereof;
 FIG. 5 is a bottom side view of the container of FIG. 1 showing my new design;
 FIG. 6 is a top perspective view of the container in accordance with a second embodiment of the invention showing my new design;
 FIG. 7 is a front side view of the container of FIG. 6, the rear side view being a mirror image thereof;
 FIG. 8 is a top plan view of the container of FIG. 6;
 FIG. 9 is a right side of the container of FIG. 6, the left side view being a mirror image;
 FIG. 10 is a bottom view of the container of FIG. 6; and,
 FIG. 11 is a bottom perspective view of the container of FIG. 6.

1 Claim, 7 Drawing Sheets

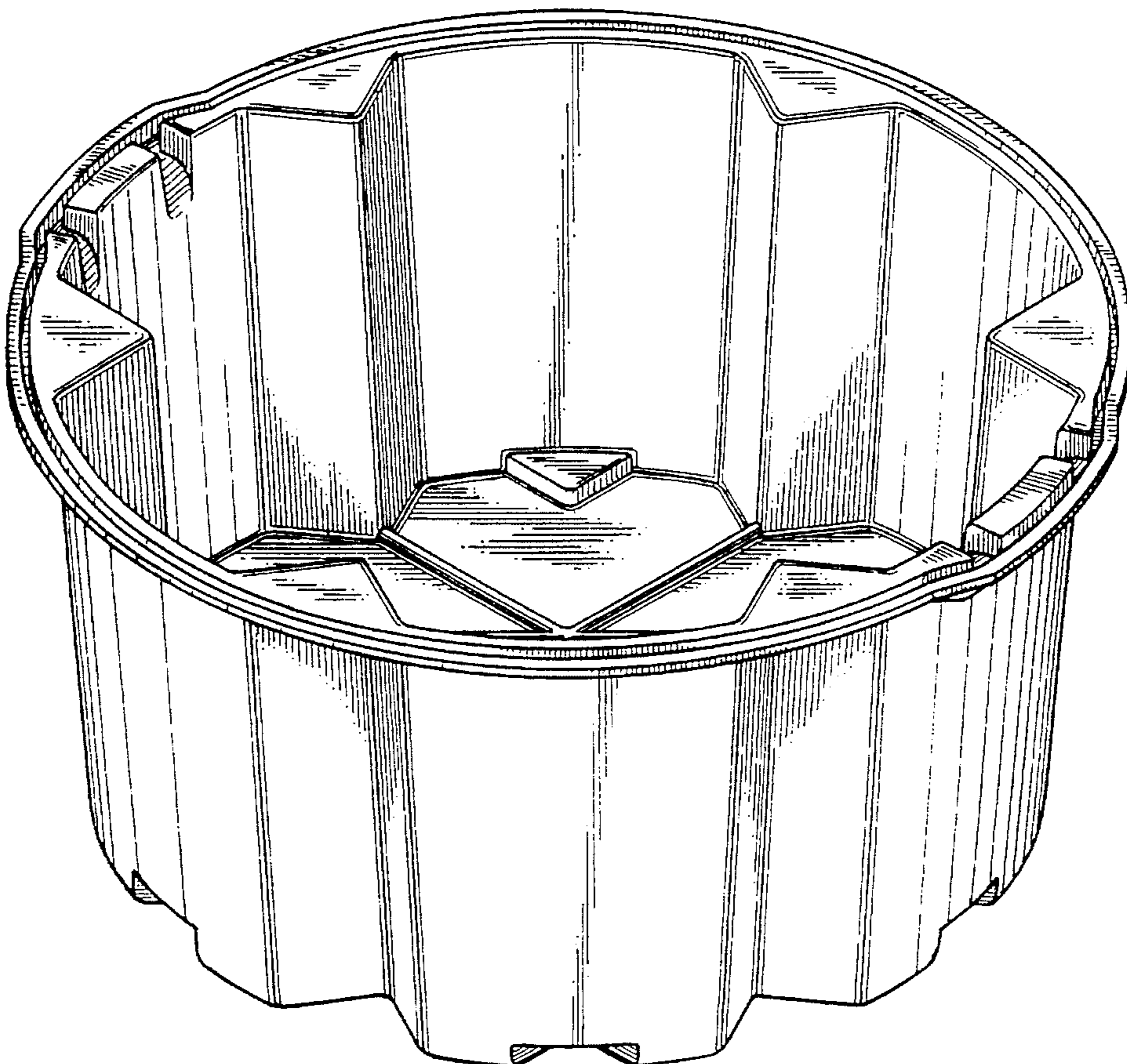


FIG. 1

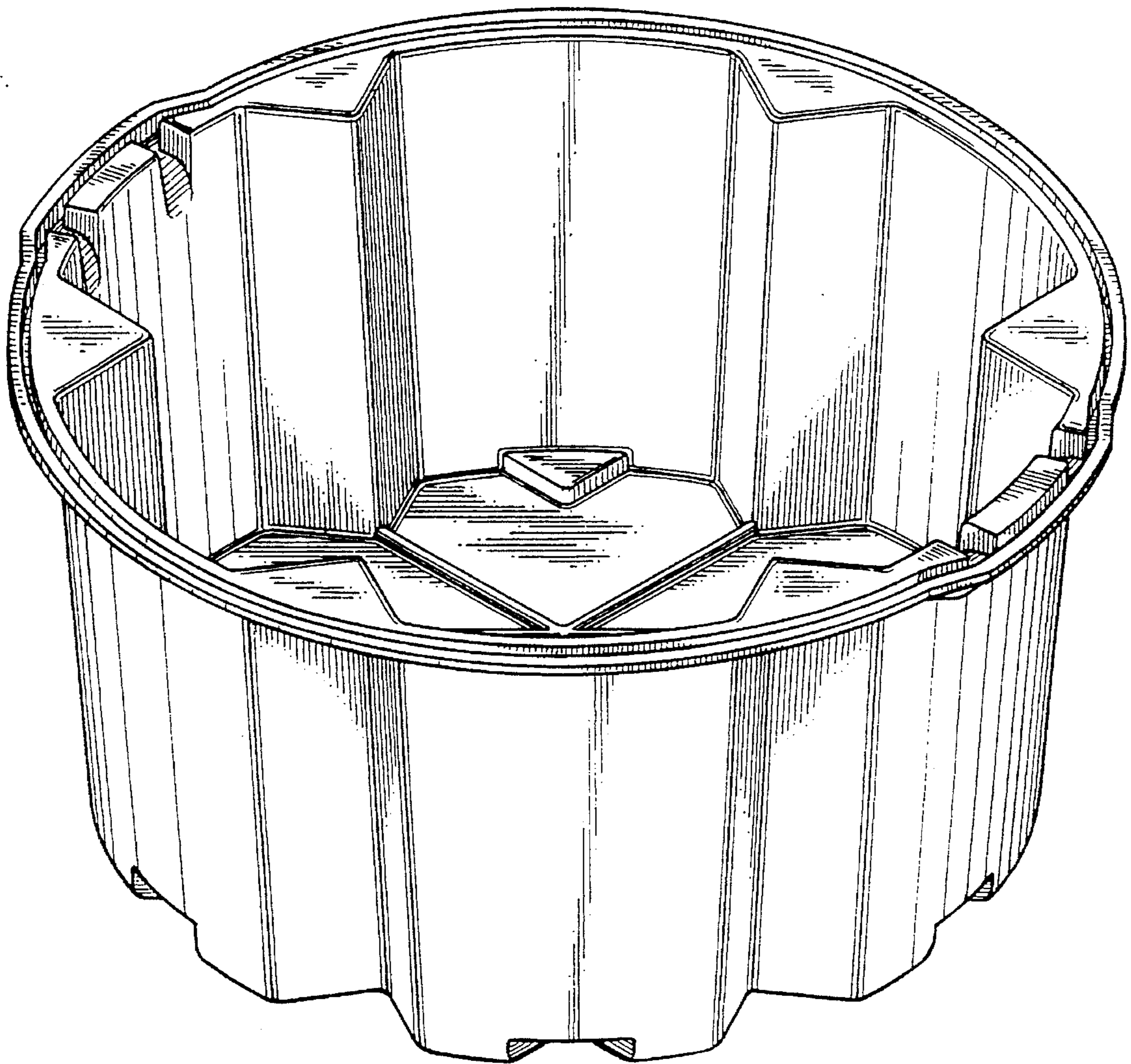


FIG. 2

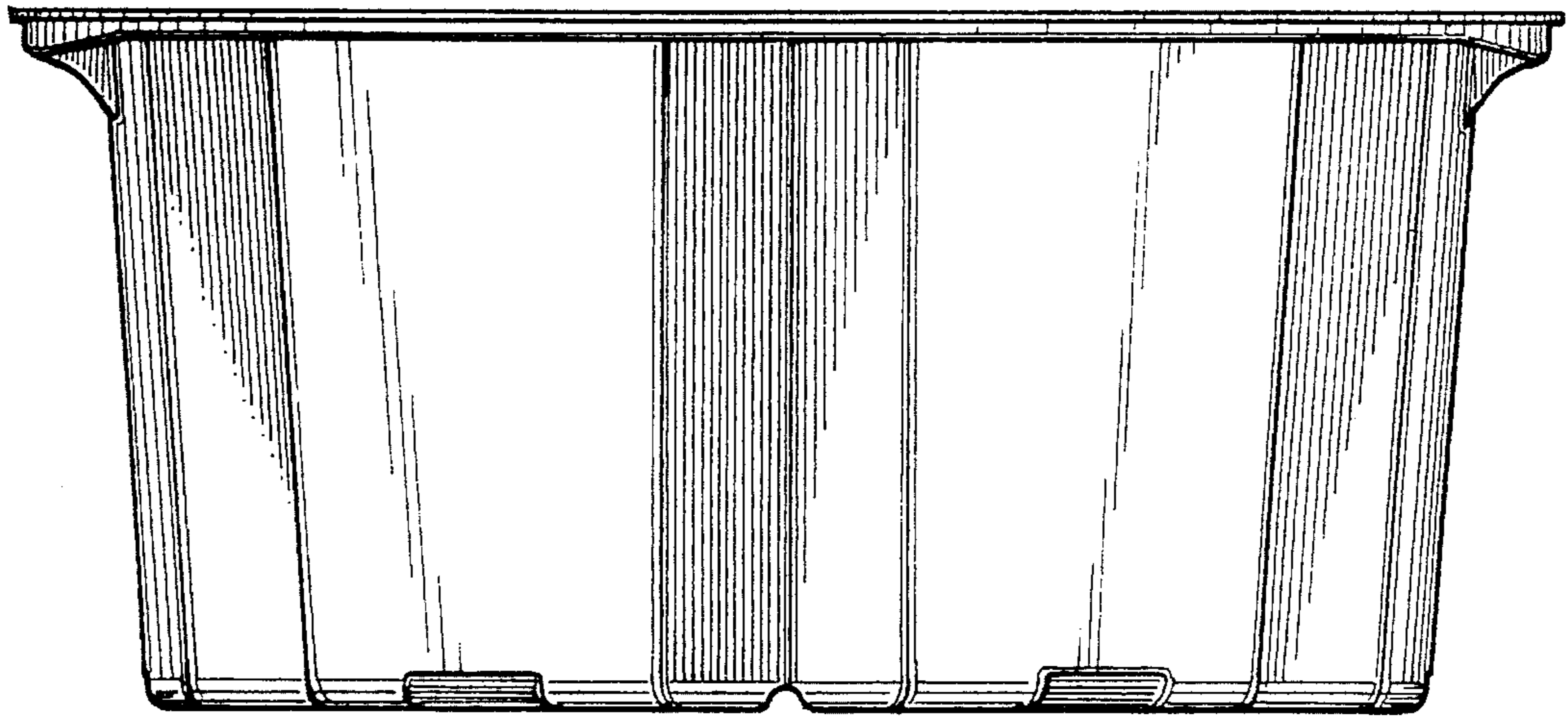


FIG. 3

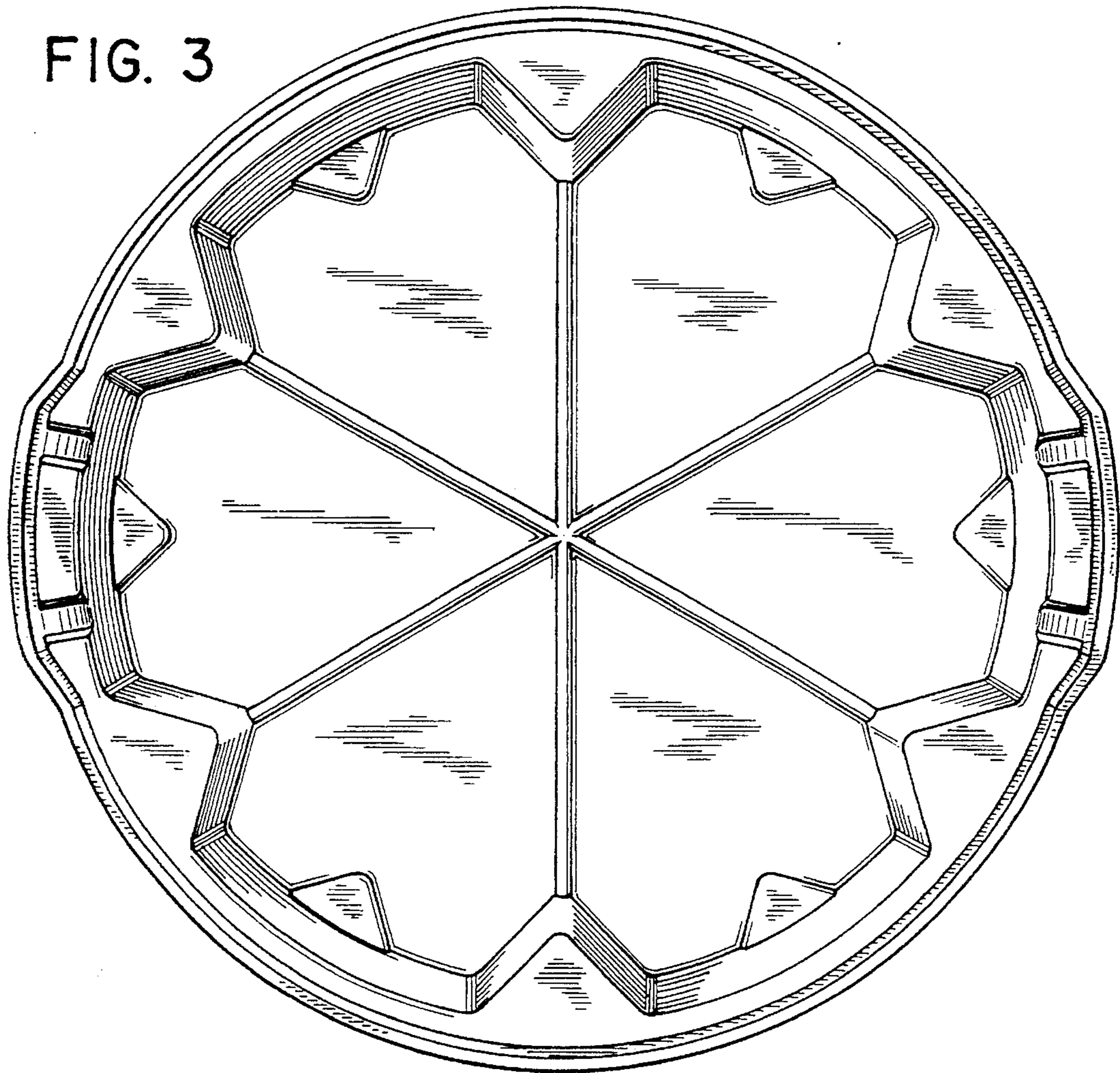


FIG. 4

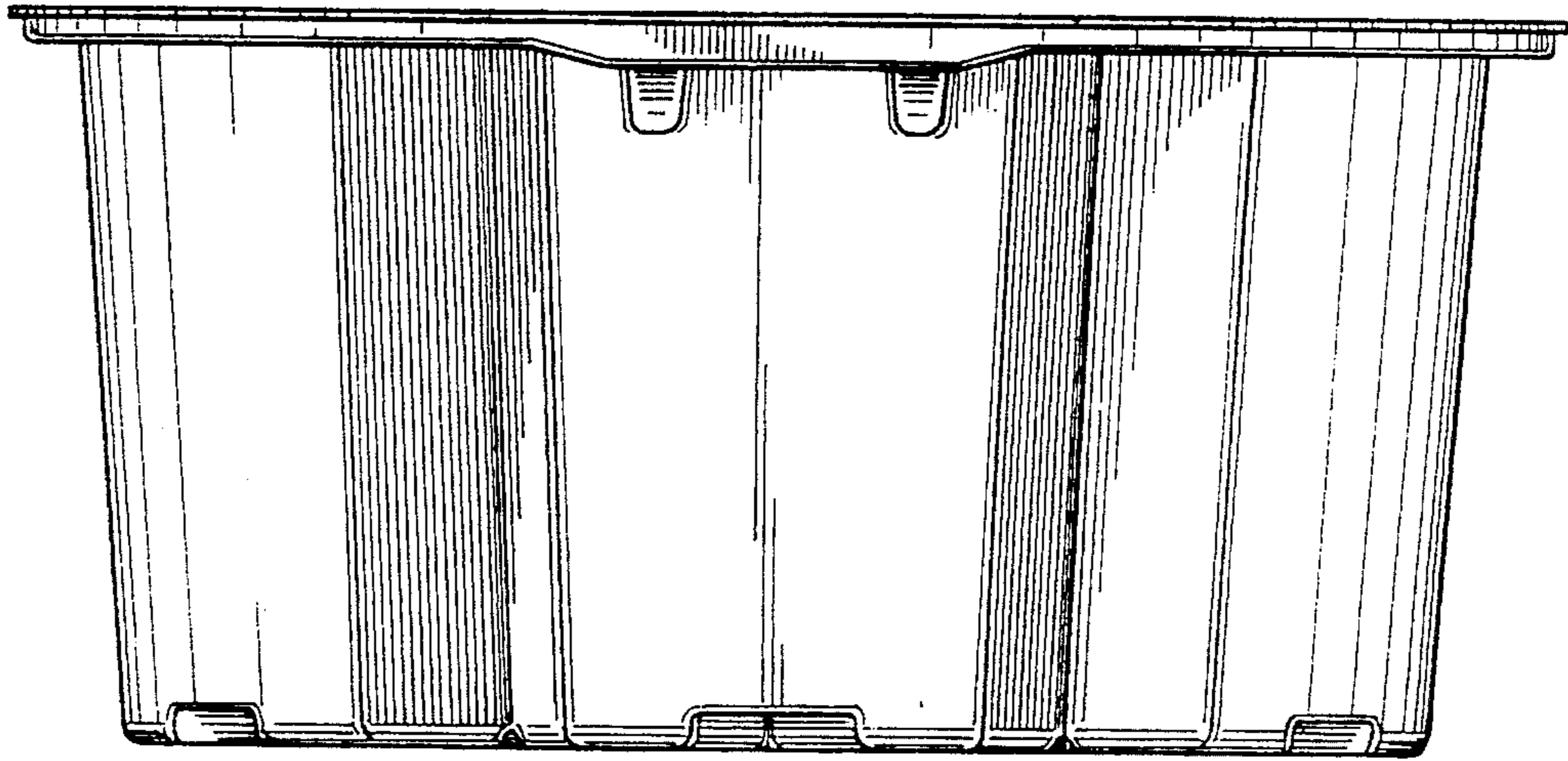


FIG. 5

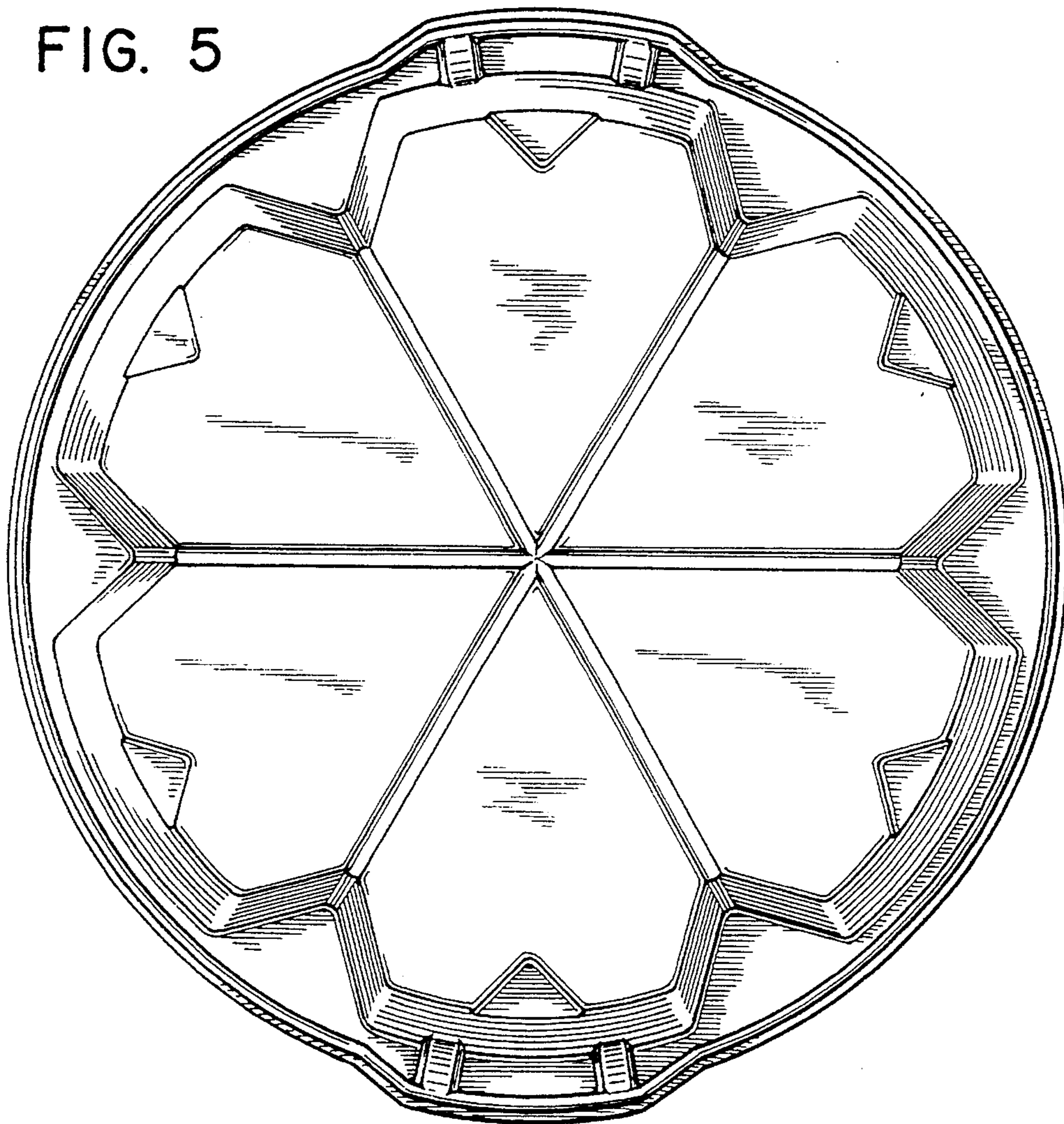


FIG. 6

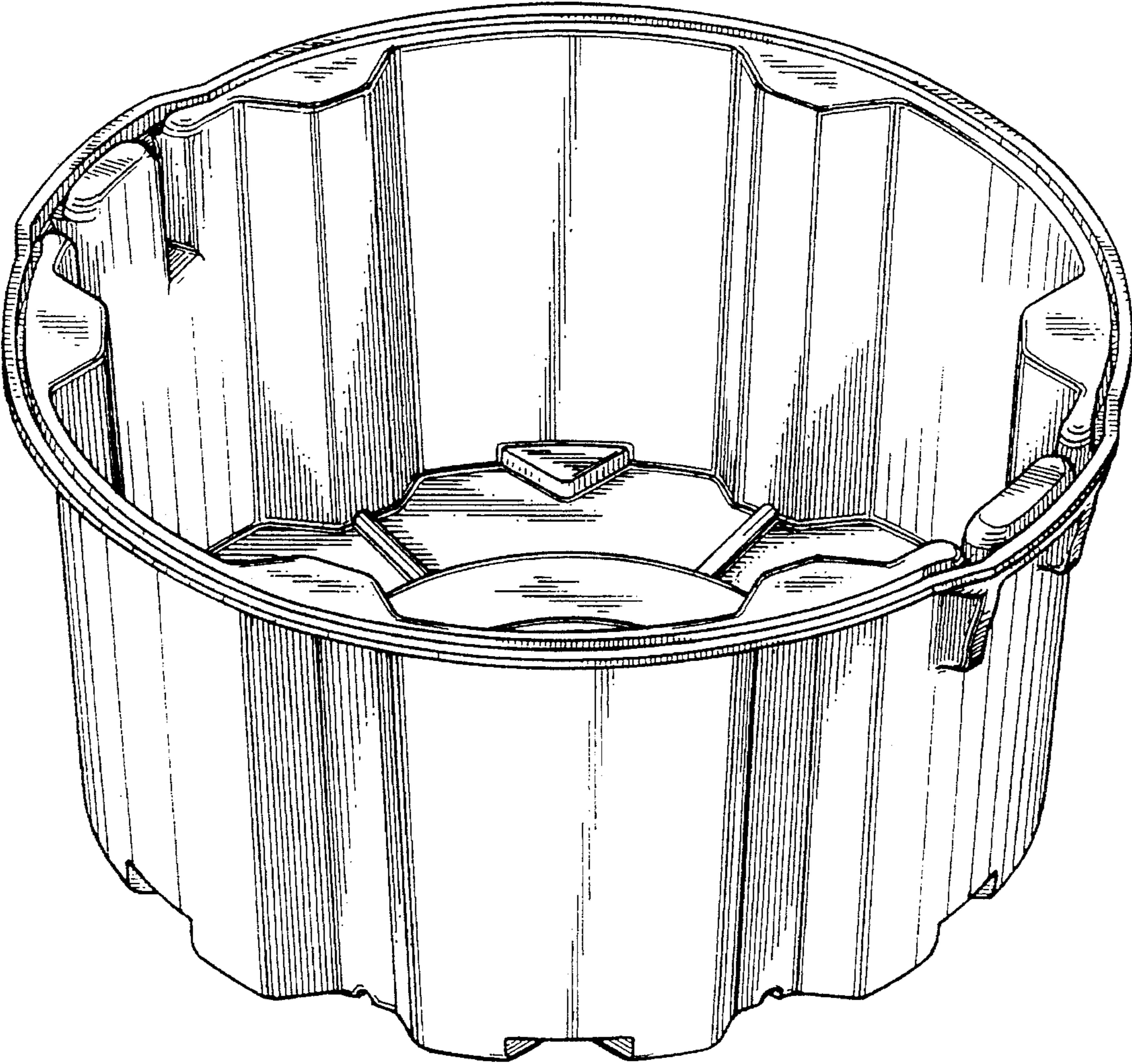


FIG. 7

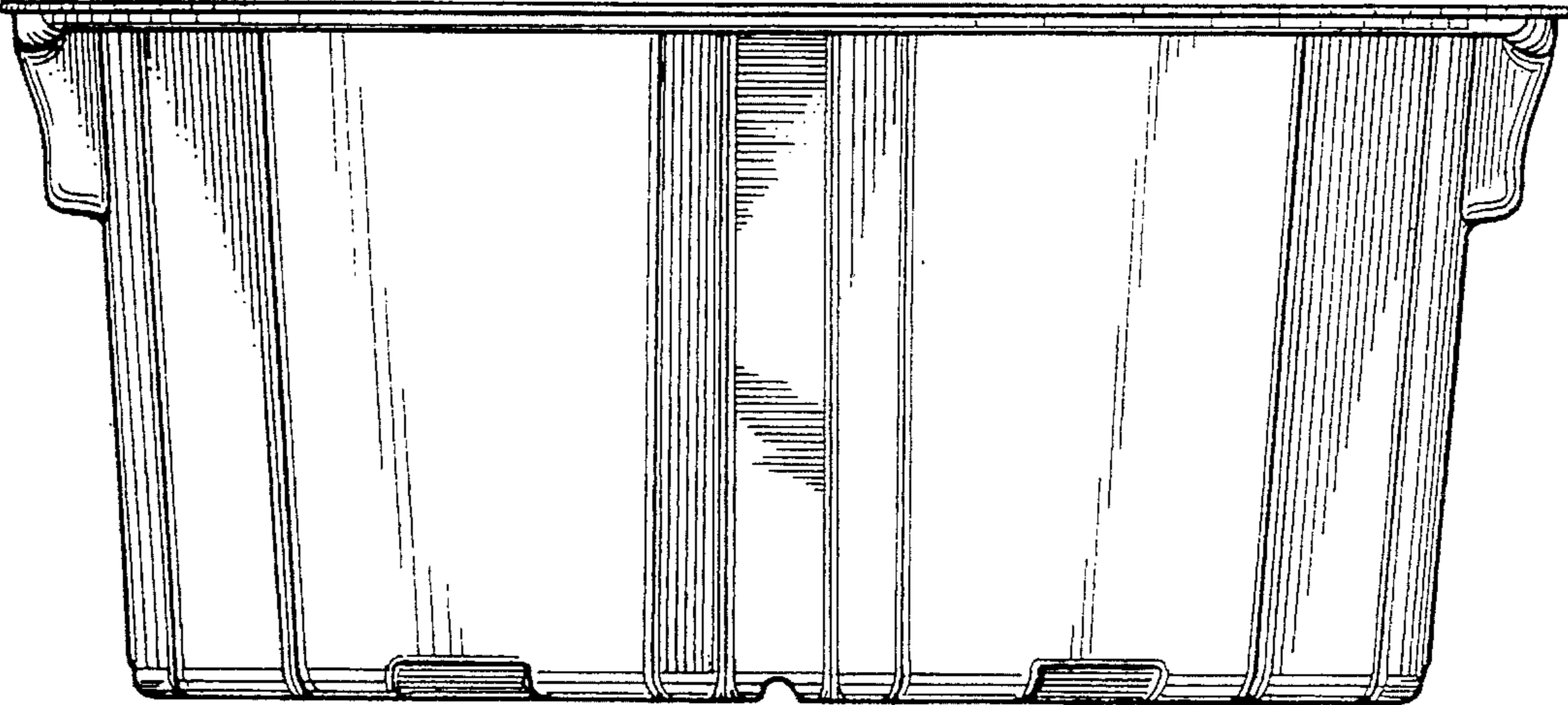


FIG. 8

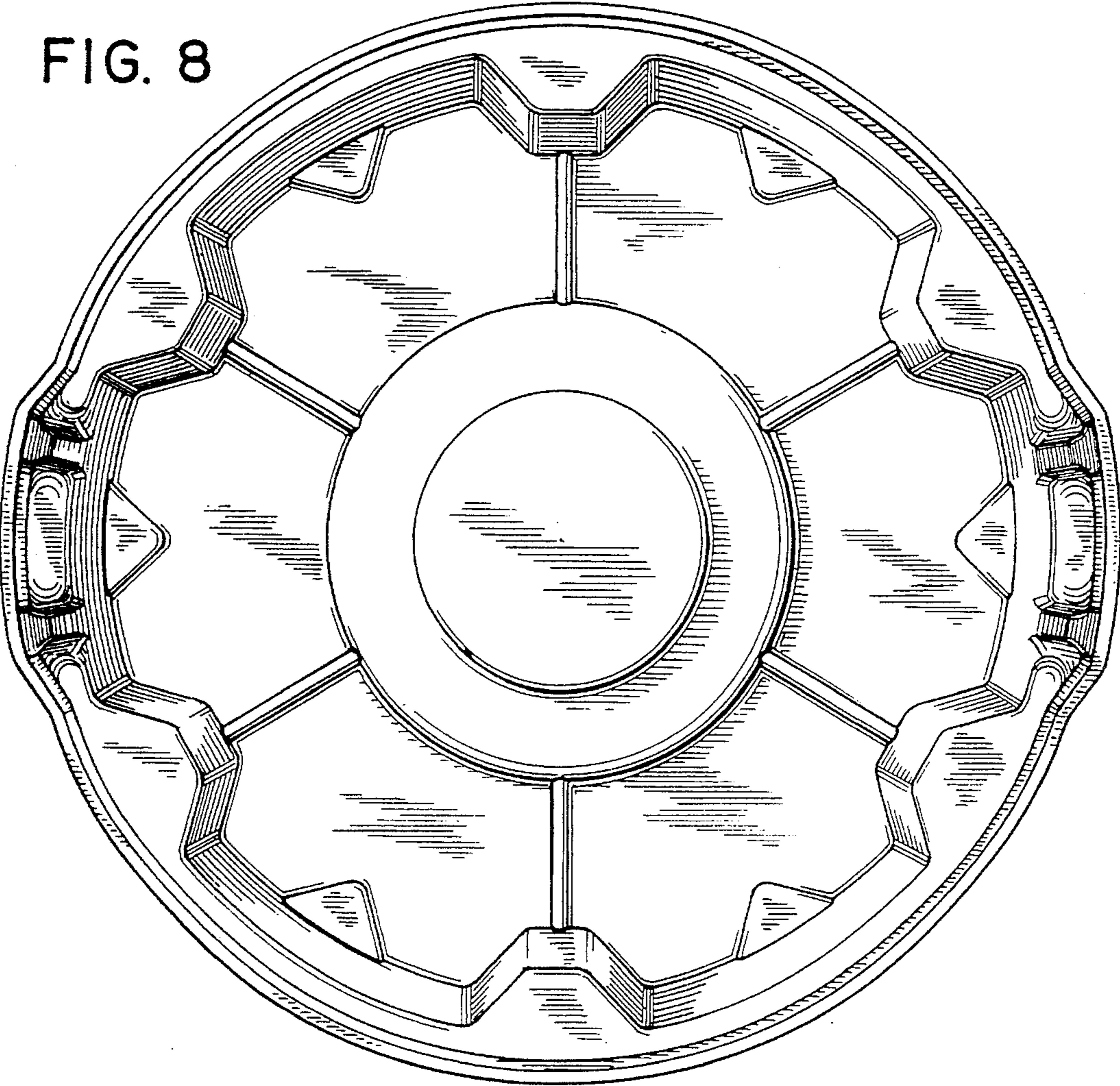


FIG. 9

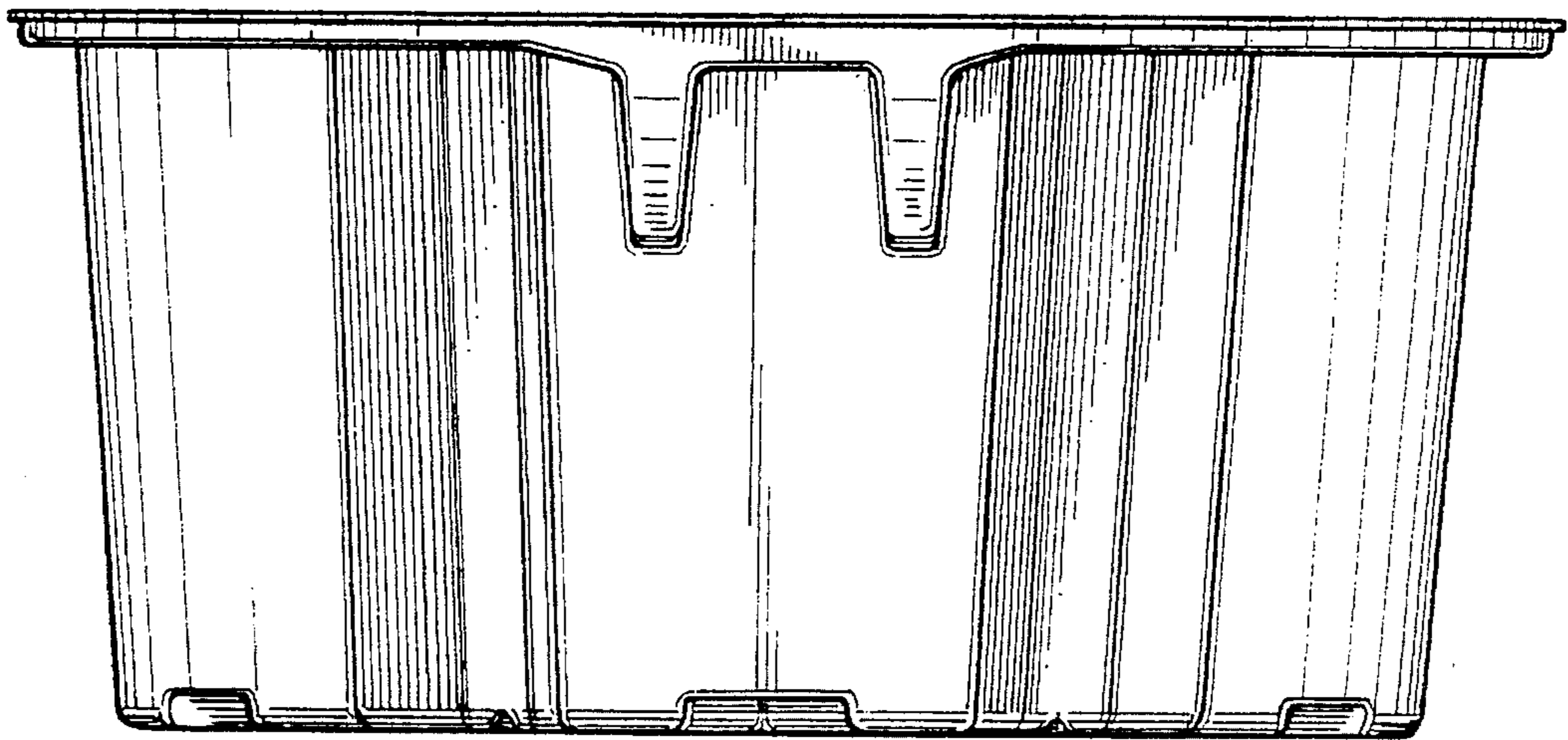


FIG. 10

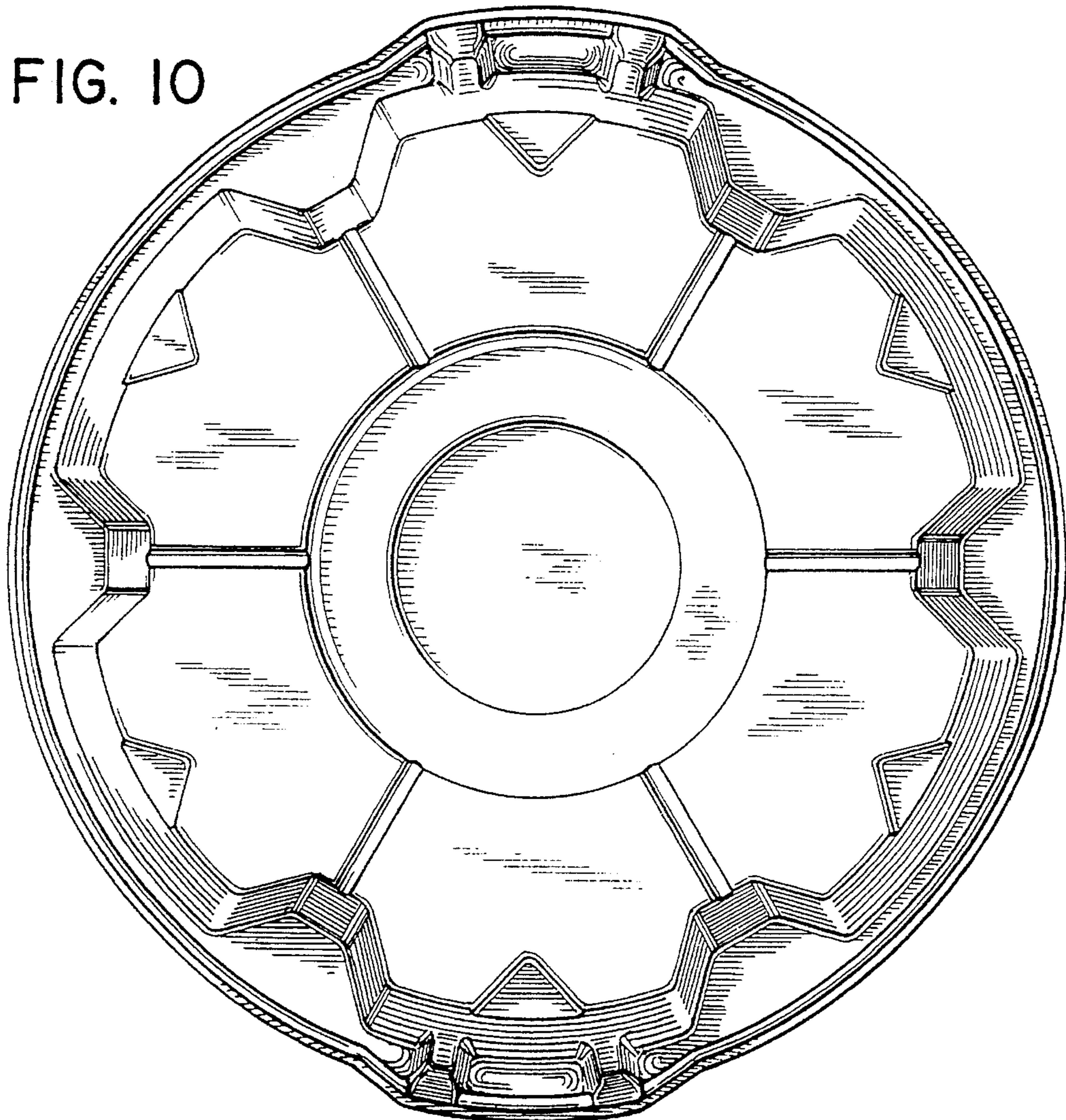


FIG. II

