



US00D364563S

United States Patent [19]

Miller et al.

[11] Patent Number: **Des. 364,563**

[45] Date of Patent: ****Nov. 28, 1995**

[54] **BOX**

[75] Inventors: **Charles D. Miller**, Rockford; **Joseph M. Kornick**, Chicago, both of Ill.; **Robert W. Pritchard**, Pittsburgh, Pa.

[73] Assignee: **SmithKline Beecham Corporation**, Philadelphia, Pa.

[**] Term: **14 Years**

[21] Appl. No.: **26,760**

[22] Filed: **Aug. 4, 1994**

[52] U.S. Cl. **D9/423**

[58] Field of Search D9/423, 424, 432, D9/420, 337; 206/6.1, 581, 508; 220/334, 337, 376, DIG. 26; D3/201, 264, 294, 901

[56] **References Cited**

U.S. PATENT DOCUMENTS

D. 204,504	4/1966	Braun	D9/423
D. 289,262	4/1987	Goetz et al.	D9/423 X
D. 306,185	2/1990	Ukisu	D9/414 X
D. 357,861	5/1995	Sawa et al.	D9/432

1,735,061	11/1929	Shields	206/301 X
3,370,697	2/1968	Levey et al.	206/45.34
4,976,370	12/1990	Cassel	220/355 X

OTHER PUBLICATIONS

Heirloom Cat. Jan. 1970, front page.

Primary Examiner—Prabhakar G. Deshmukh
Attorney, Agent, or Firm—James M. Kanagy; Stuart R. Suter; Edward T. Lentz

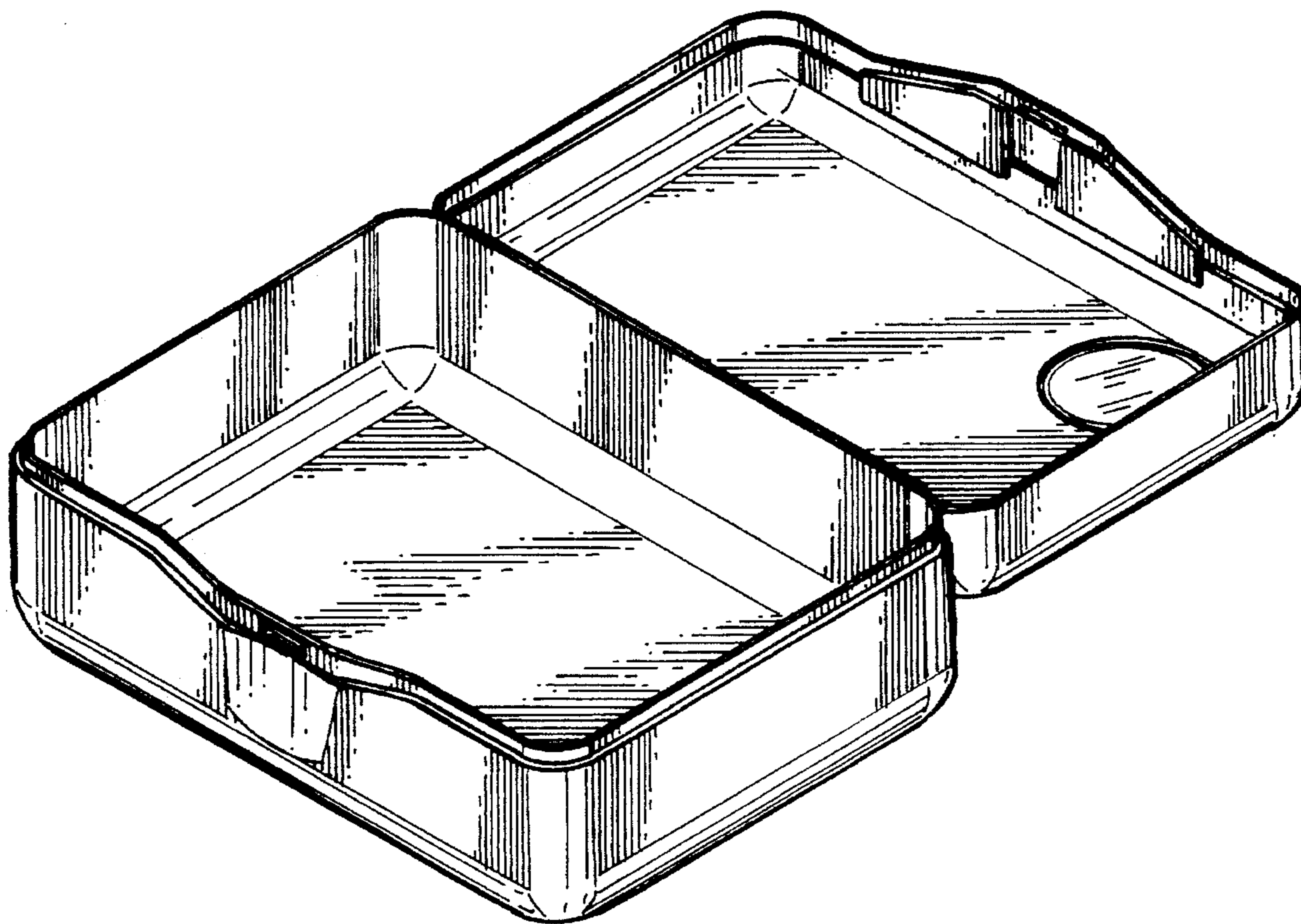
[57] **CLAIM**

The ornamental design for a box, as shown and described.

DESCRIPTION

FIG. 1 is a top plan view of the box showing a round window in the lower right-hand corner of the cover;
FIG. 2 is a bottom plan view of the box;
FIG. 3 is a frontal view of the box;
FIG. 4 is a view of the back of the box with hinge;
FIG. 5 is a side view of the box; and,
FIG. 6 is a view of the box with the lid laid back to show the interior of the box.

1 Claim, 2 Drawing Sheets



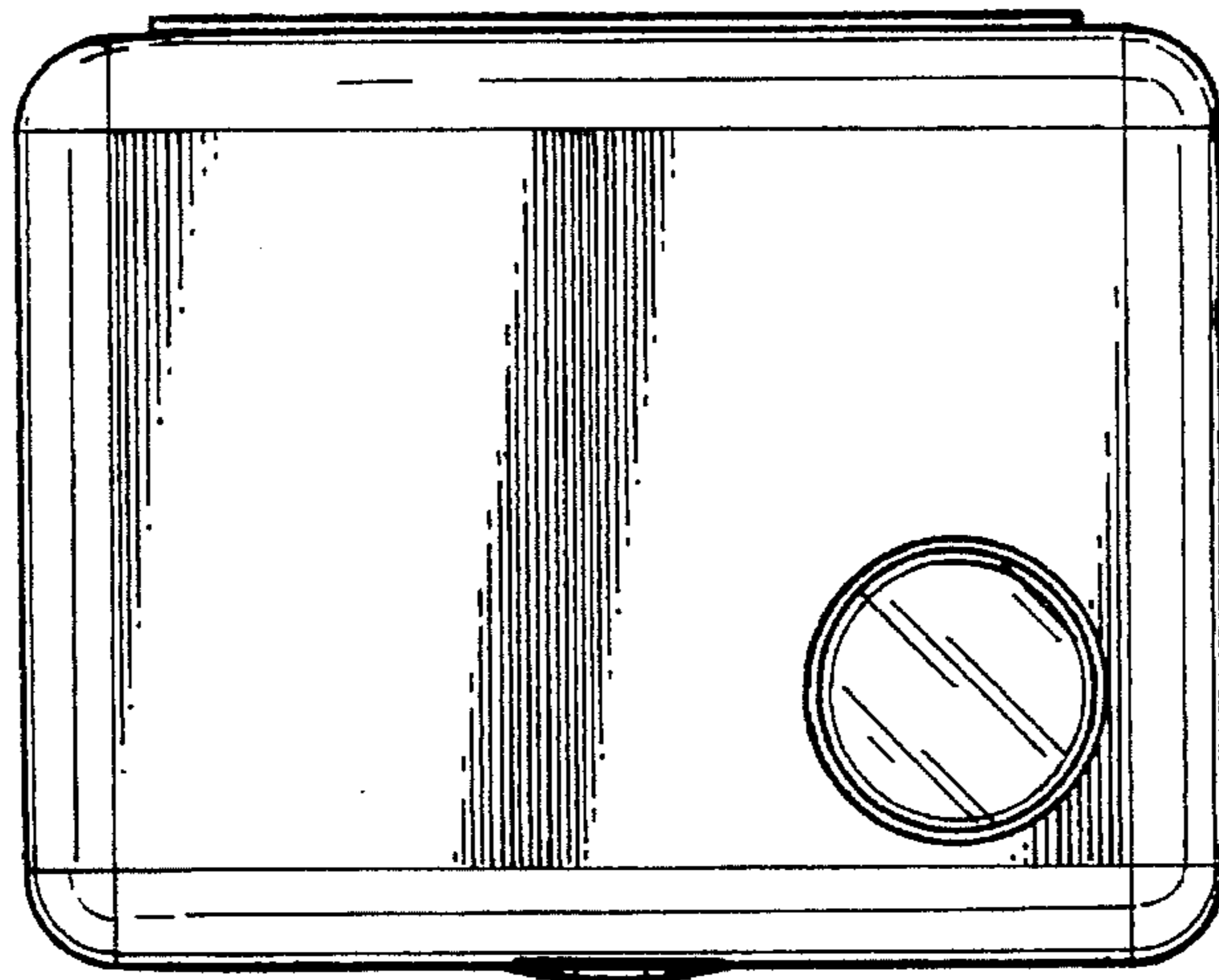


FIG. 1

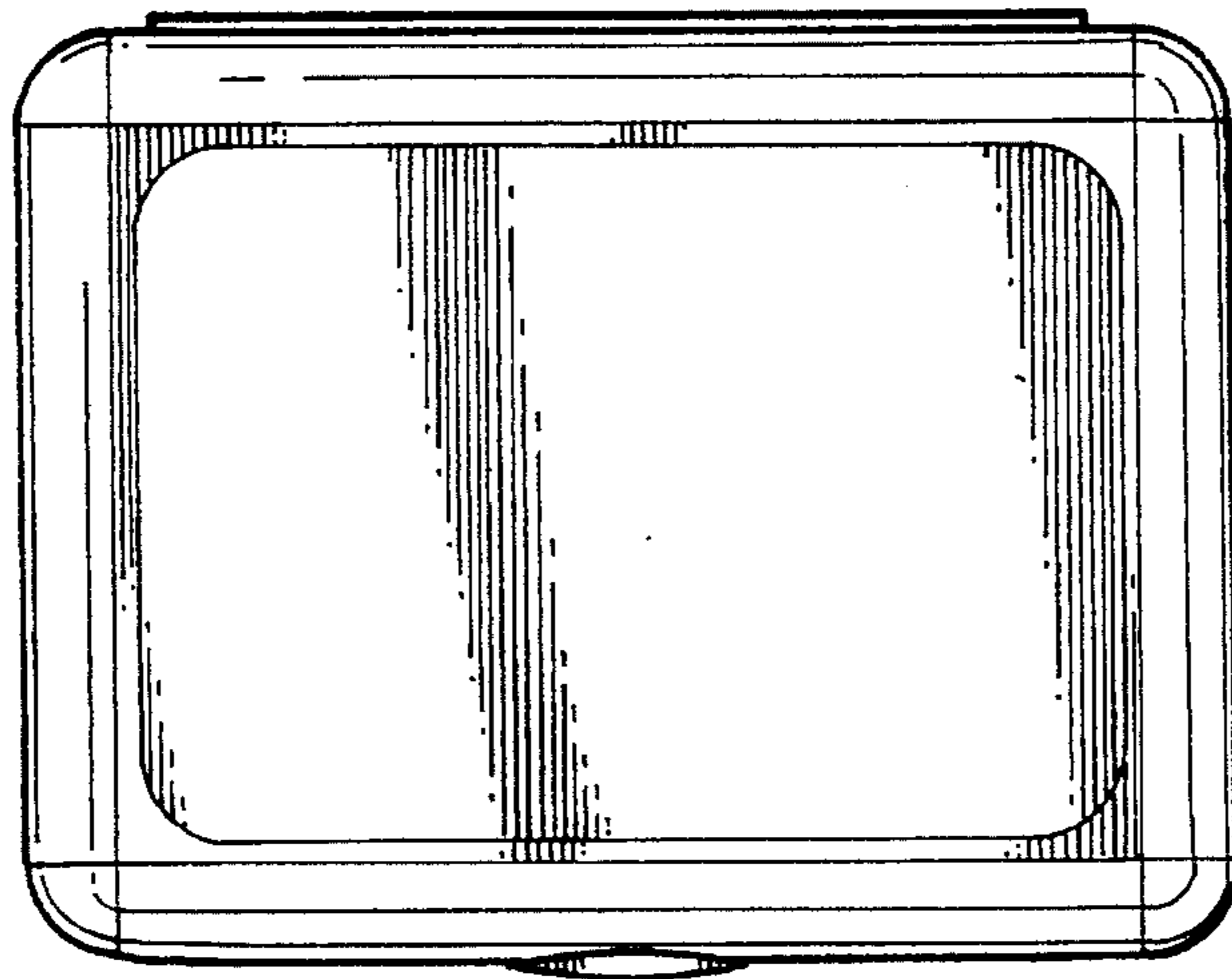


FIG. 2

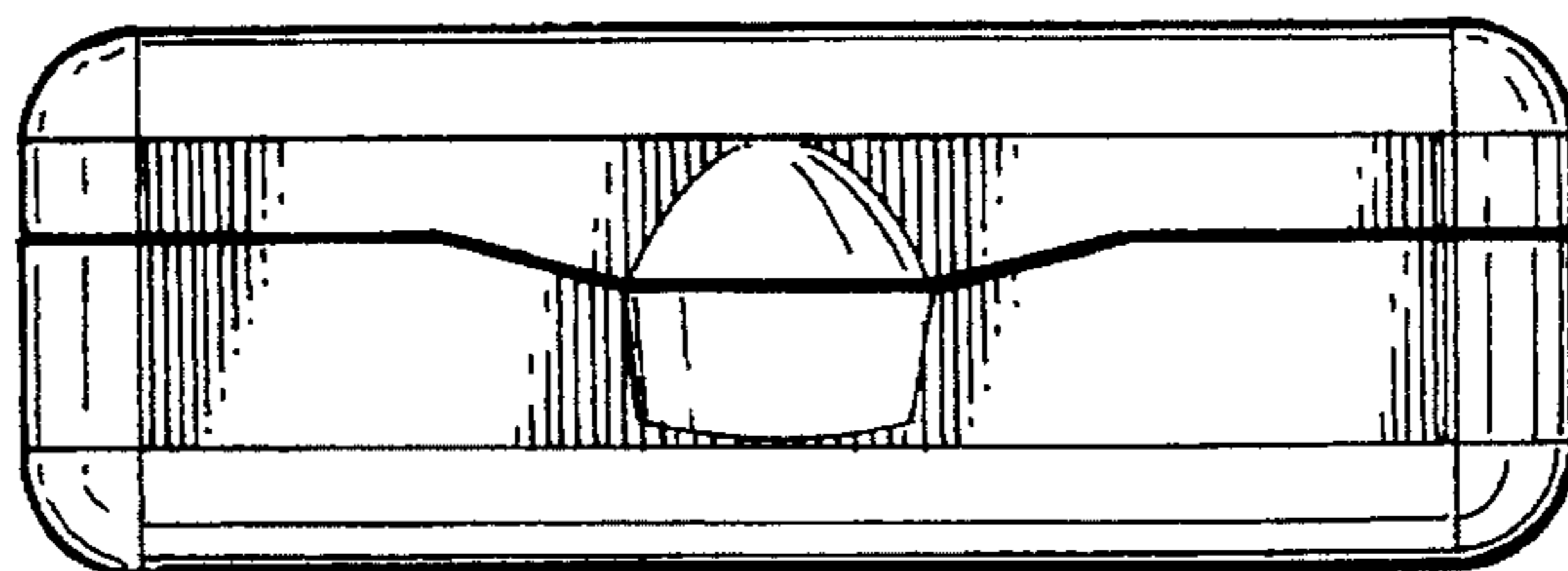


FIG. 3

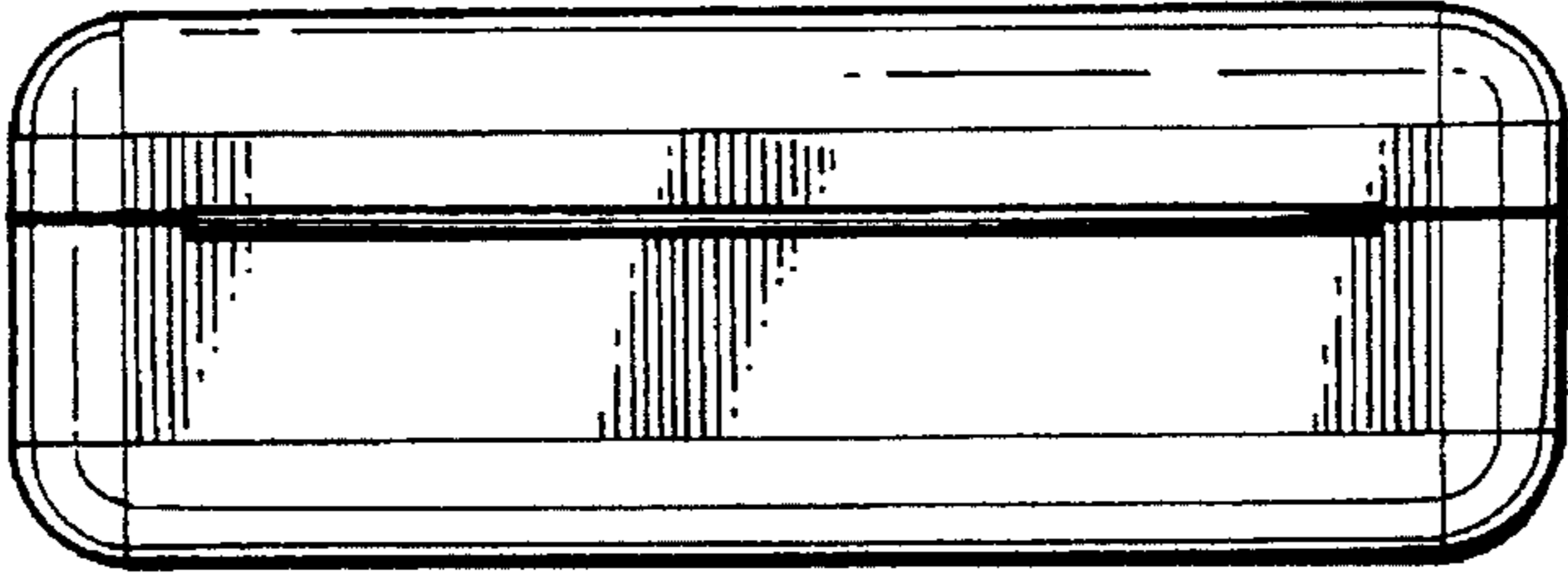


FIG. 4

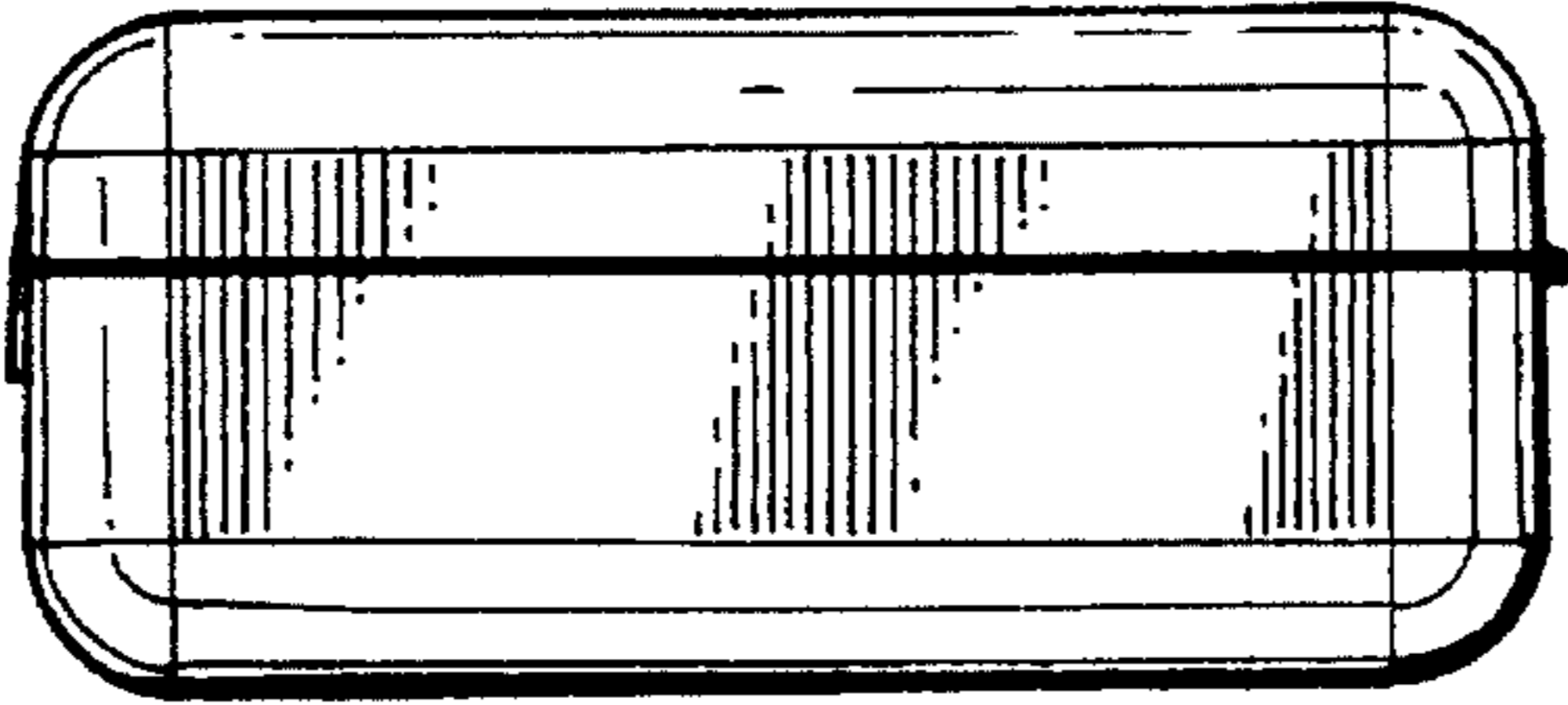


FIG. 5

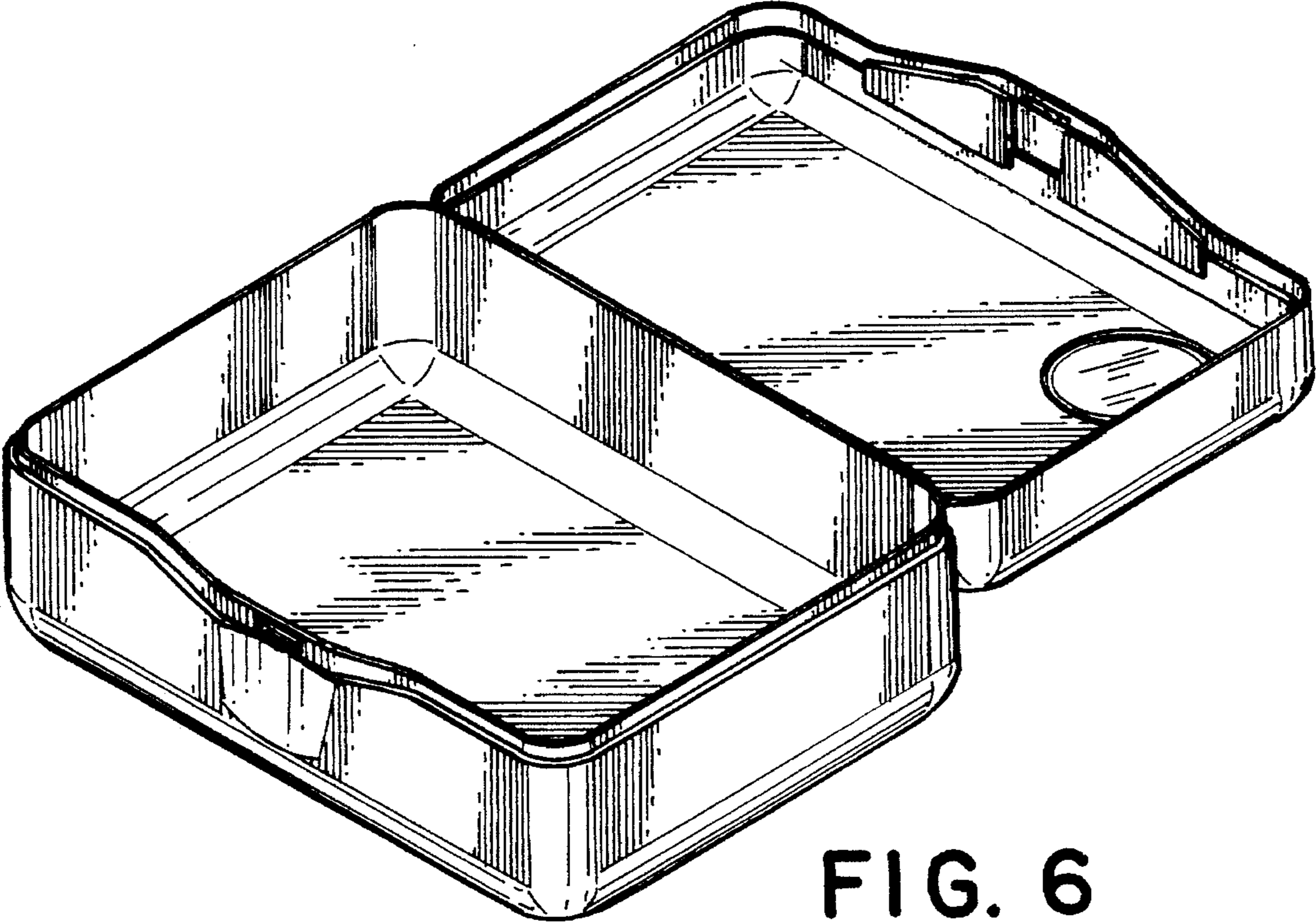


FIG. 6