



US00D364562S

United States Patent [19]

[11] Patent Number: **Des. 364,562**

Pedersen-Rask

[45] Date of Patent: ****Nov. 28, 1995**

- [54] CONTAINER WITH A LID
- [75] Inventor: **Jørgen Pedersen-Rask**, Bredsten, Denmark
- [73] Assignee: **Interlego AG**, Baar, Switzerland
- [**] Term: **14 Years**
- [21] Appl. No.: **31,663**
- [22] Filed: **Dec. 1, 1994**
- [52] U.S. Cl. **D9/418**
- [58] Field of Search D9/418, 415, 428, D9/414, 424, 425, 454, 539, 503, 558; 206/45.34, 44 R, 45.28; 220/252, 253, 265, 376, 361, 602, 628, 633, 662, 663, 913; D7/511, 629

5,261,848 11/1993 Kaplan et al. 220/662 X

FOREIGN PATENT DOCUMENTS

9300267 1/1993 WIPO 220/4.25

OTHER PUBLICATIONS

Beauty Fashion, Jan. 1984, p. 59.

Primary Examiner—Prabhakar G. Deshmukh
Attorney, Agent, or Firm—Kane, Dalsimer, Sullivan, Kurucz, Levy, Eisele and Richard

[57] CLAIM

The ornamental design for a container with a lid, as shown and described.

DESCRIPTION

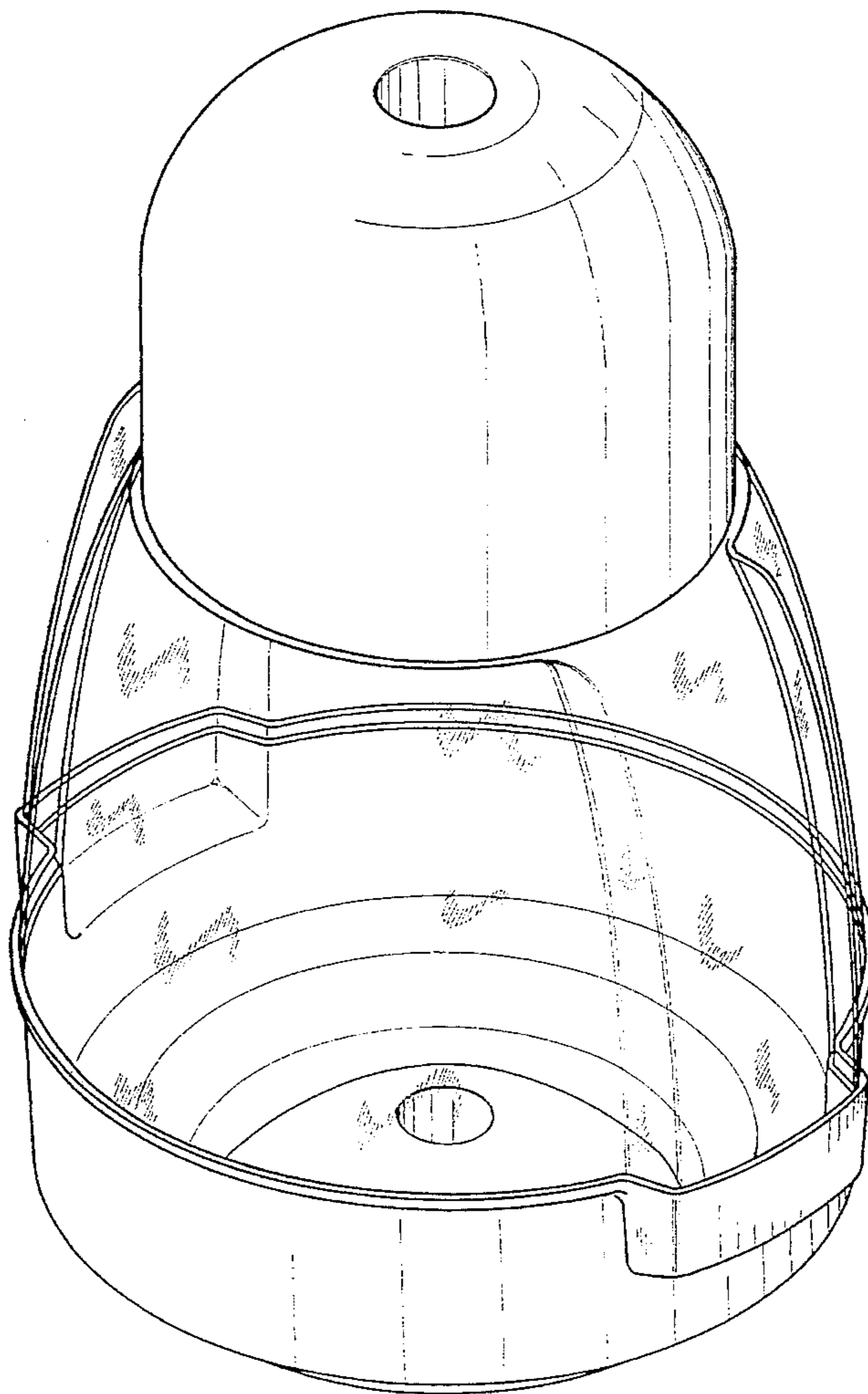
FIG. 1 is a top perspective view of a container with a lid showing my new design;
FIG. 2 is a bottom perspective view thereof;
FIG. 3 is a side elevational view thereof, the other side being identical;
FIG. 4 is a front elevational view thereof, the rear view being identical; and,
FIG. 5 is a top plan view thereof.

1 Claim, 5 Drawing Sheets

[56] References Cited

U.S. PATENT DOCUMENTS

- D. 281,670 12/1985 Thieffry D9/503
- D. 281,673 12/1985 Lampe D9/424 X
- D. 318,222 7/1991 Hsiung D9/418 X
- D. 320,347 10/1991 Lucarelli D9/418
- 3,351,186 11/1967 Harris 206/45.34 X
- 4,972,955 11/1990 Rymoan 206/45.34 X



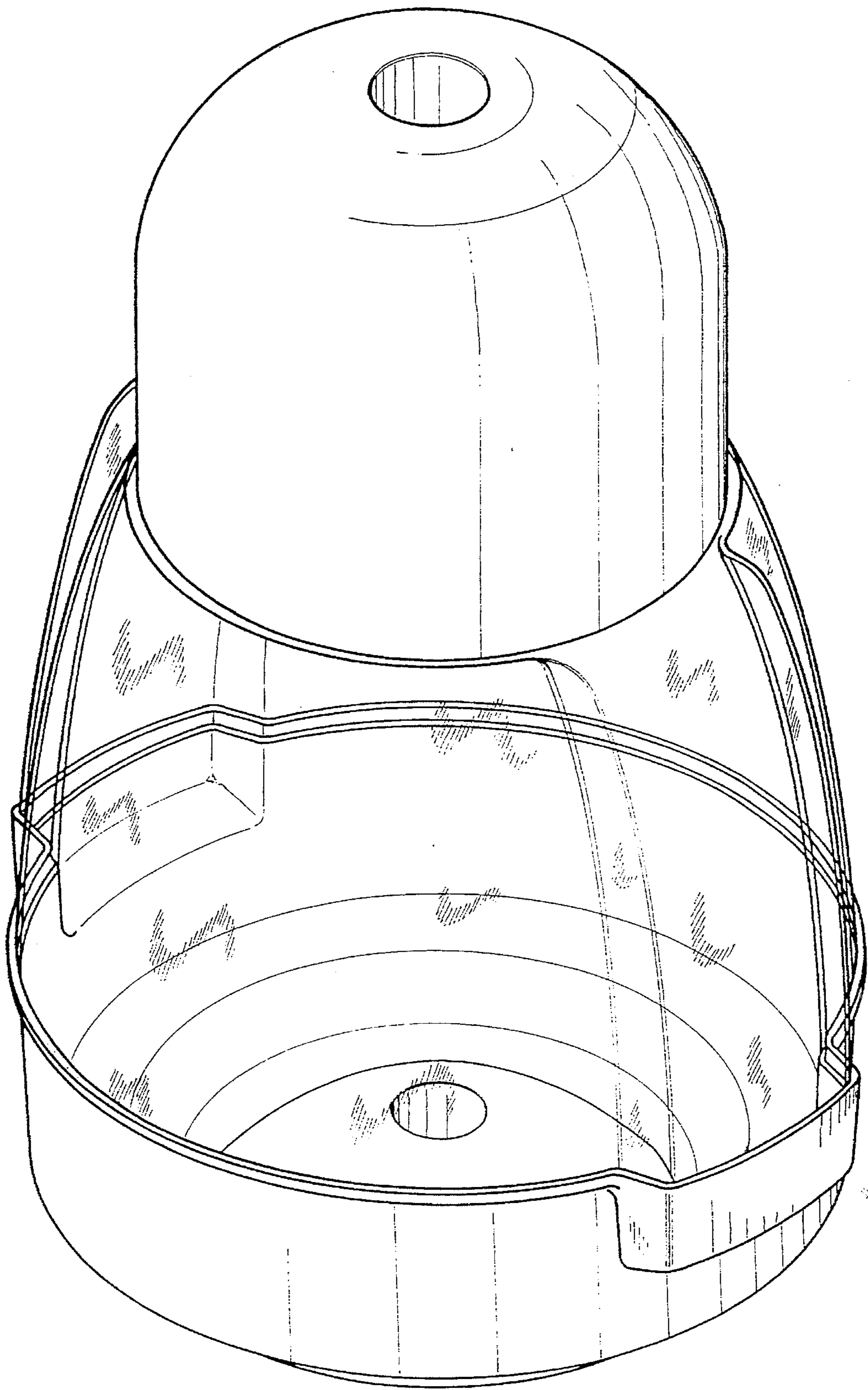


FIG. 1

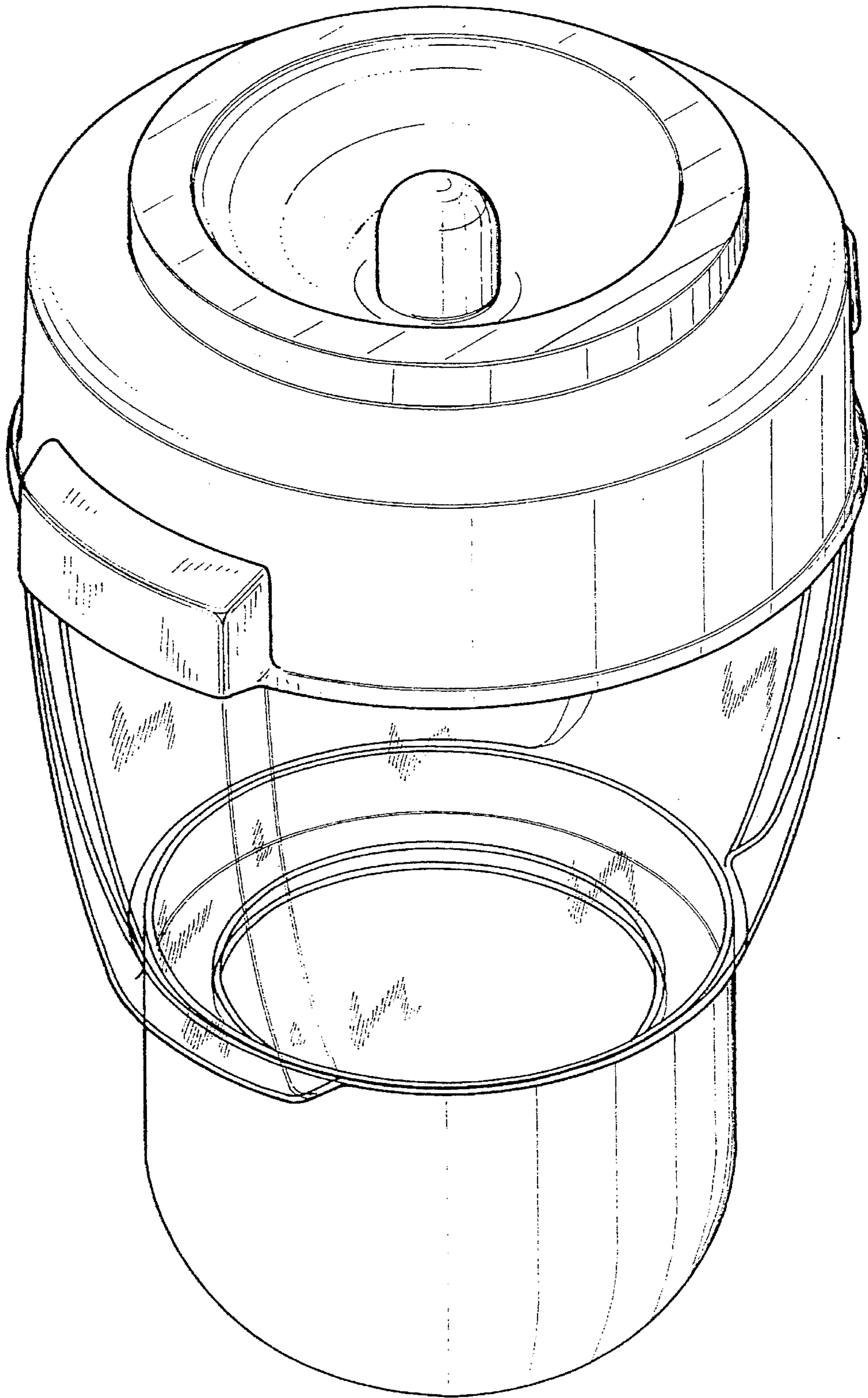


FIG. 2

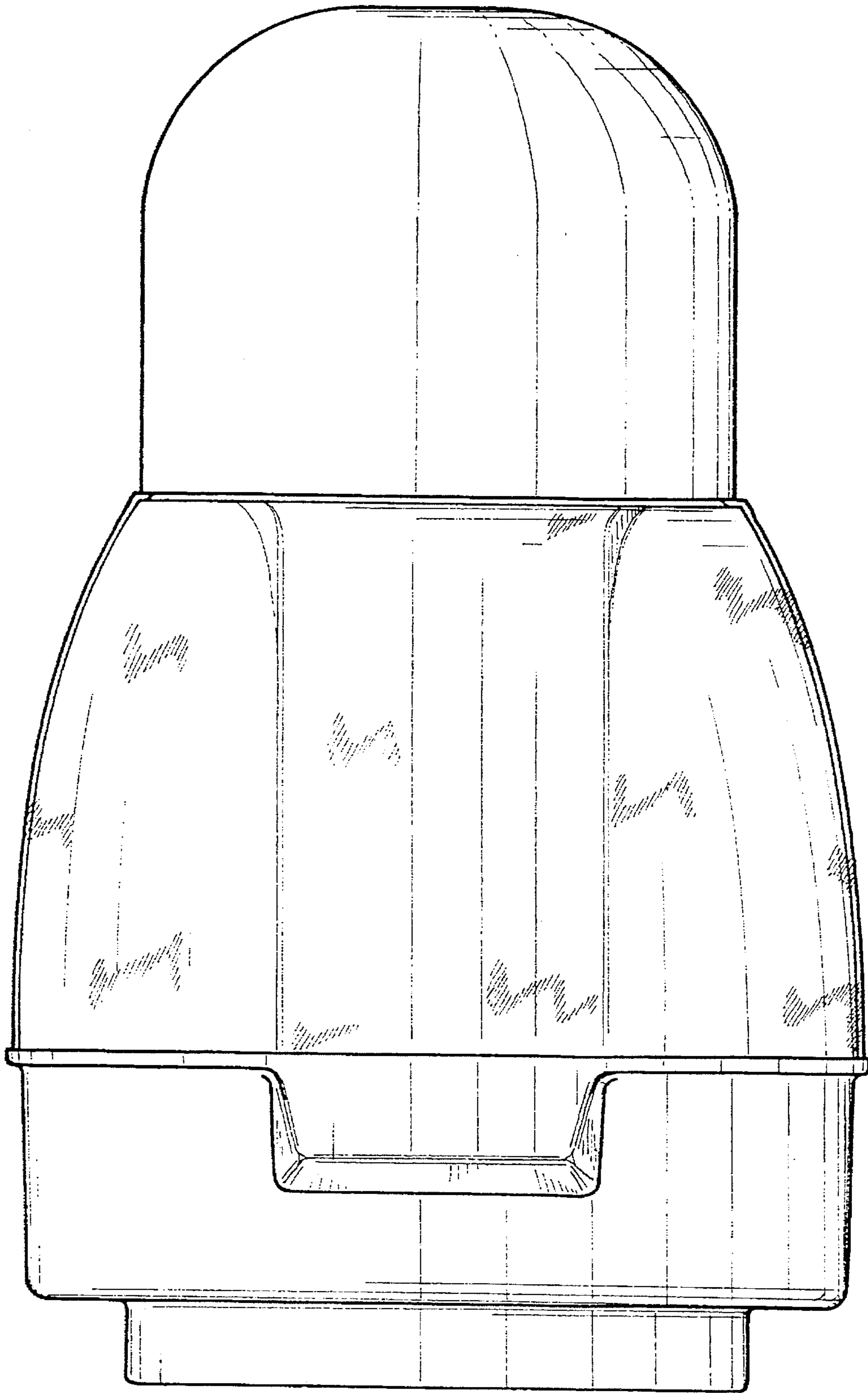


FIG. 3

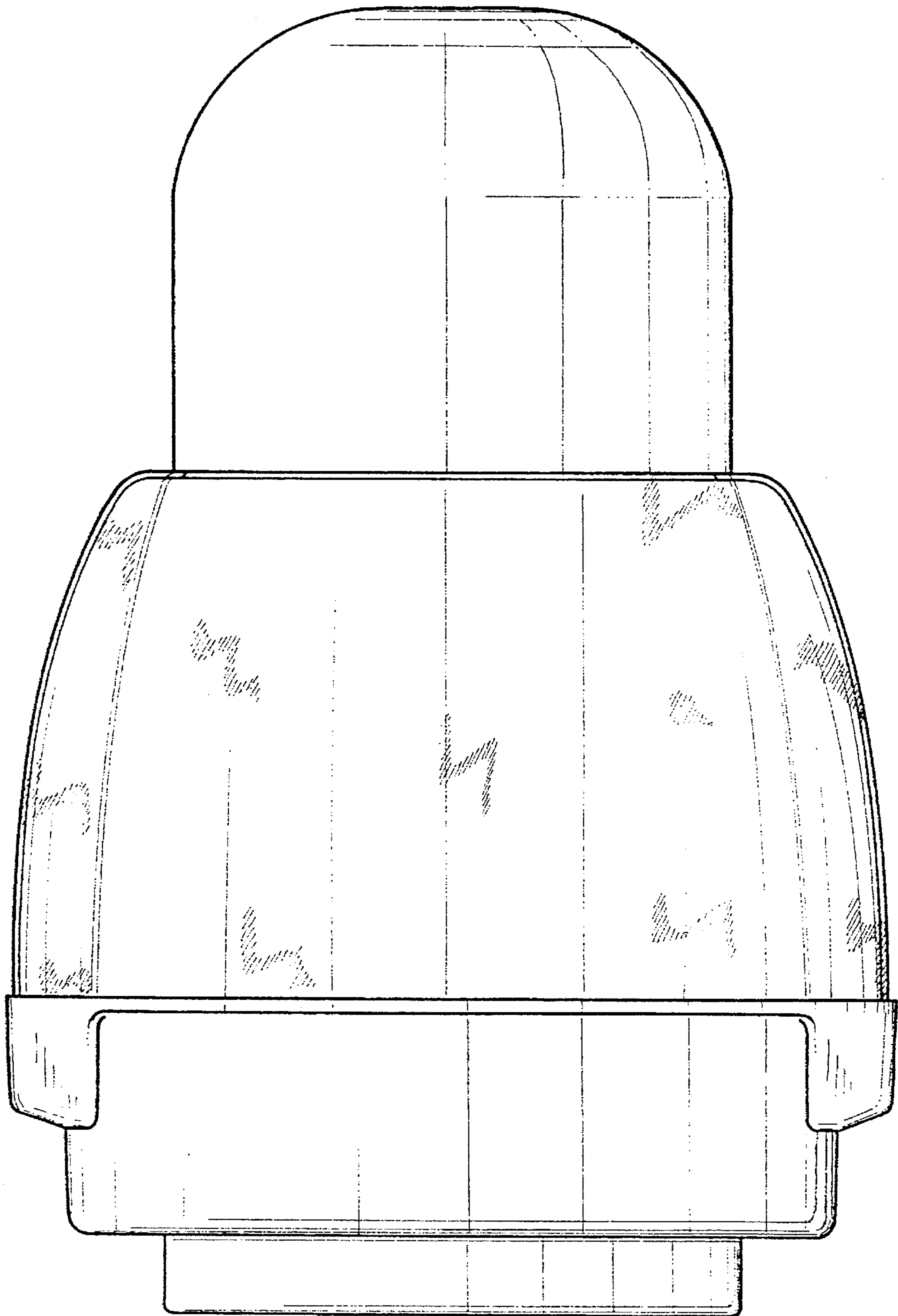


FIG. 4

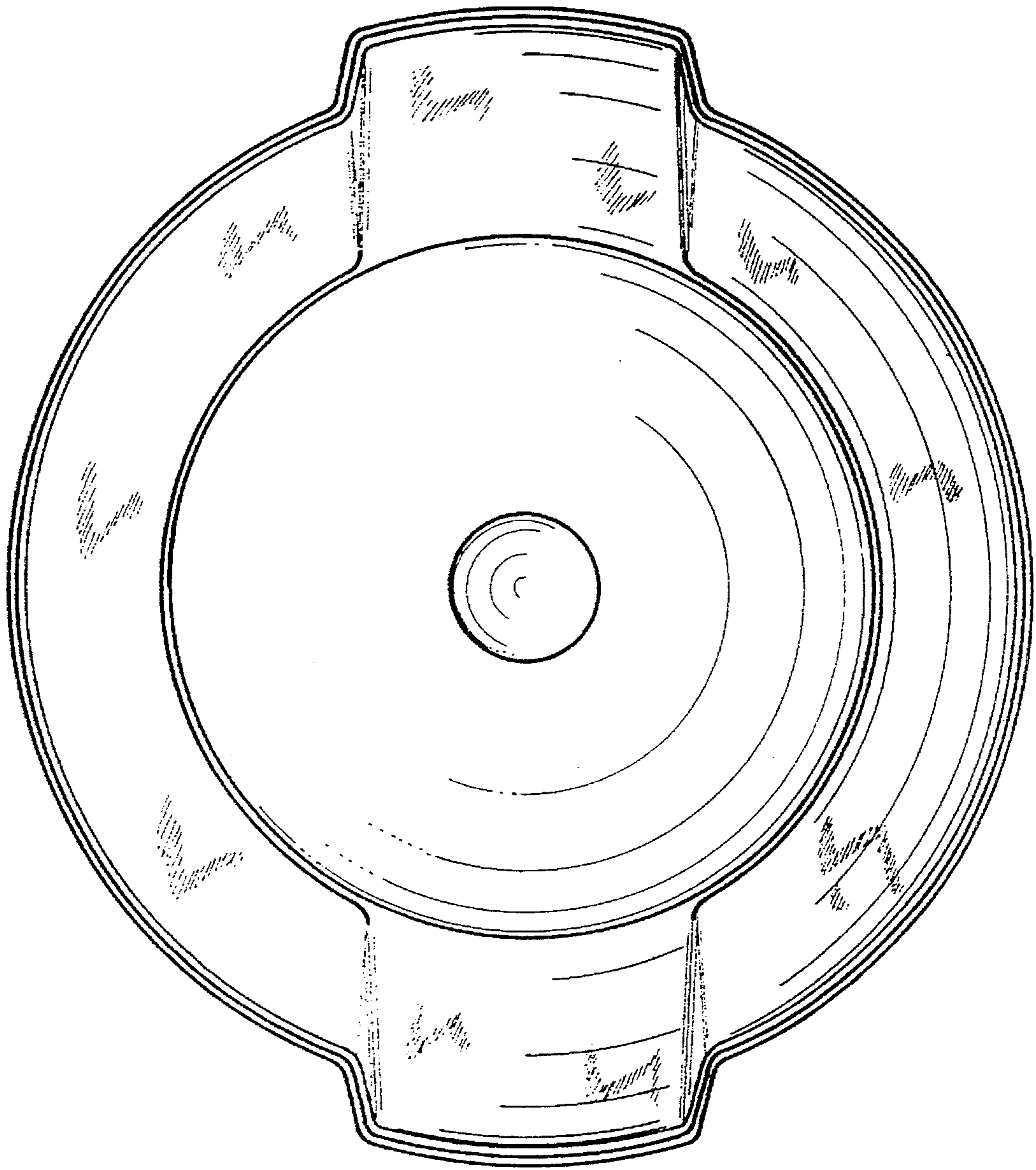


FIG. 5