



US00D364561S

United States Patent [19]

[11] Patent Number: **Des. 364,561**

Chapman et al.

[45] Date of Patent: ****Nov. 28, 1995**

[54] **PACKAGE FOR FLASH CAMERA**

5,020,669 6/1991 Nakagoshi 206/466
5,292,003 3/1994 Baghdassarian 206/471 X

[75] Inventors: **Steven S. Chapman**, Corfu; **Daniel C. Jackson**, Rochester, both of N.Y.

OTHER PUBLICATIONS

Modern Packaging, 1941, p. 300.

[73] Assignee: **Eastman Kodak Company**, Rochester, N.Y.

Primary Examiner—Prabhakar G. Deshmukh

Attorney, Agent, or Firm—Roger A. Fields

[**] Term: **14 Years**

[57] **CLAIM**

[21] Appl. No.: **29,973**

The ornamental design for a package for flash camera, as shown and described.

[22] Filed: **Oct. 20, 1994**

[52] U.S. Cl. **D9/415**

DESCRIPTION

[58] **Field of Search** D9/415, 418, 337,
D9/432; 206/461-471, 316.1, 316.2; D16/208;
D14/121

FIG. 1 is a front, top, right-side perspective view of a package for flash camera, showing our new design; FIG. 2 is a rear, bottom, left-side perspective view thereof; FIG. 3 is a front elevation view thereof; FIG. 4 is a rear elevation view thereof; FIG. 5 is a left-side elevation view thereof; FIG. 6 is a right-side elevation view thereof; FIG. 7 is a top plan view thereof; and, FIG. 8 is a bottom plan view thereof.

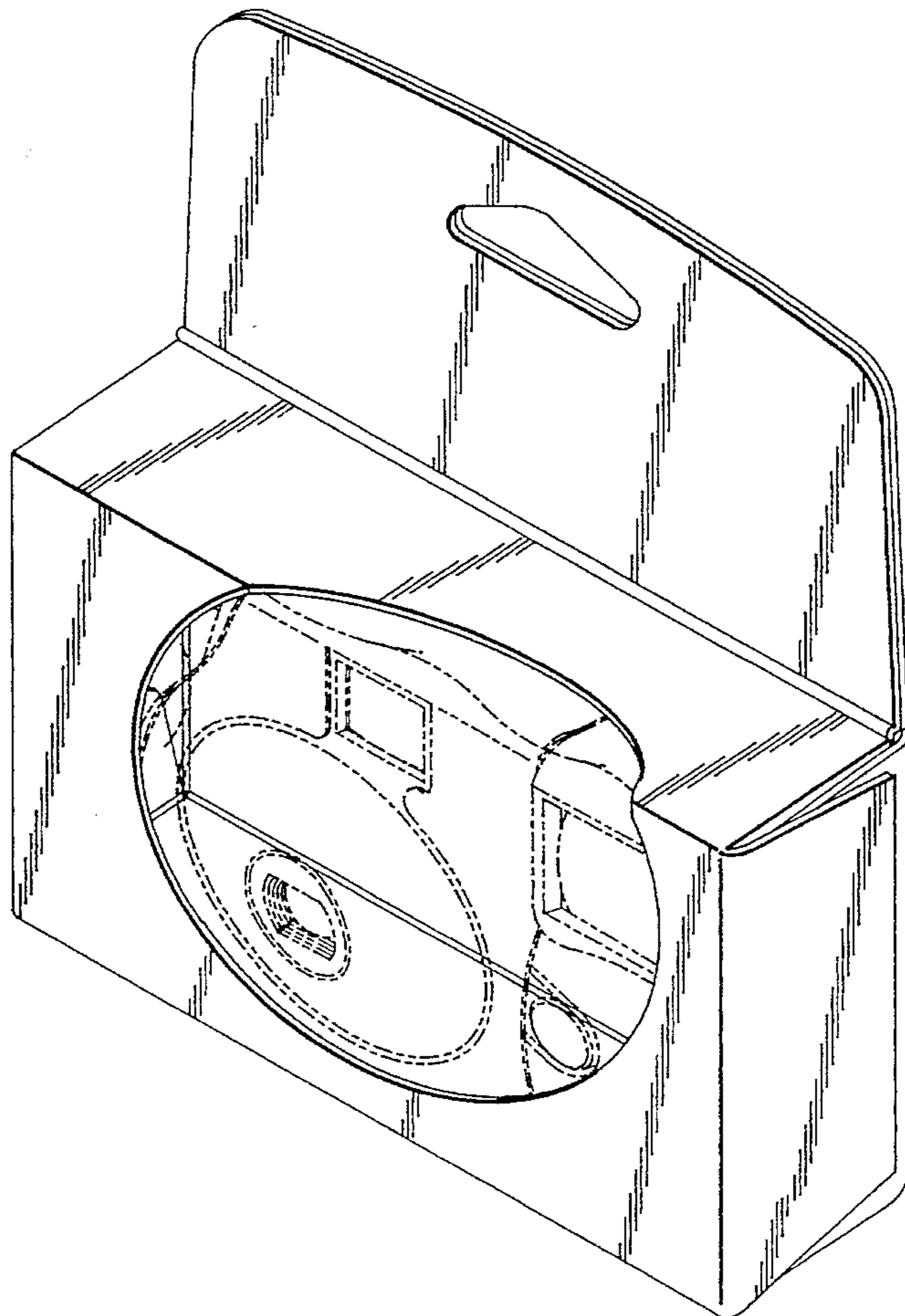
[56] **References Cited**

The broken line showing of flash camera is for illustrative purpose only and forms no part of the claim.

U.S. PATENT DOCUMENTS

D. 227,229	6/1973	Funahashi	D9/415
D. 284,168	6/1986	Ewry	D9/415
D. 285,175	8/1986	Ewry	D9/415
D. 312,782	12/1990	Arai et al.	D16/208 X
D. 319,185	8/1991	Ferrero	D9/415
D. 344,532	2/1994	Takiguchi et al.	D16/208
3,451,535	6/1969	Caplan	229/162 X
3,793,528	2/1974	Takeda	206/316.2 X

1 Claim, 8 Drawing Sheets



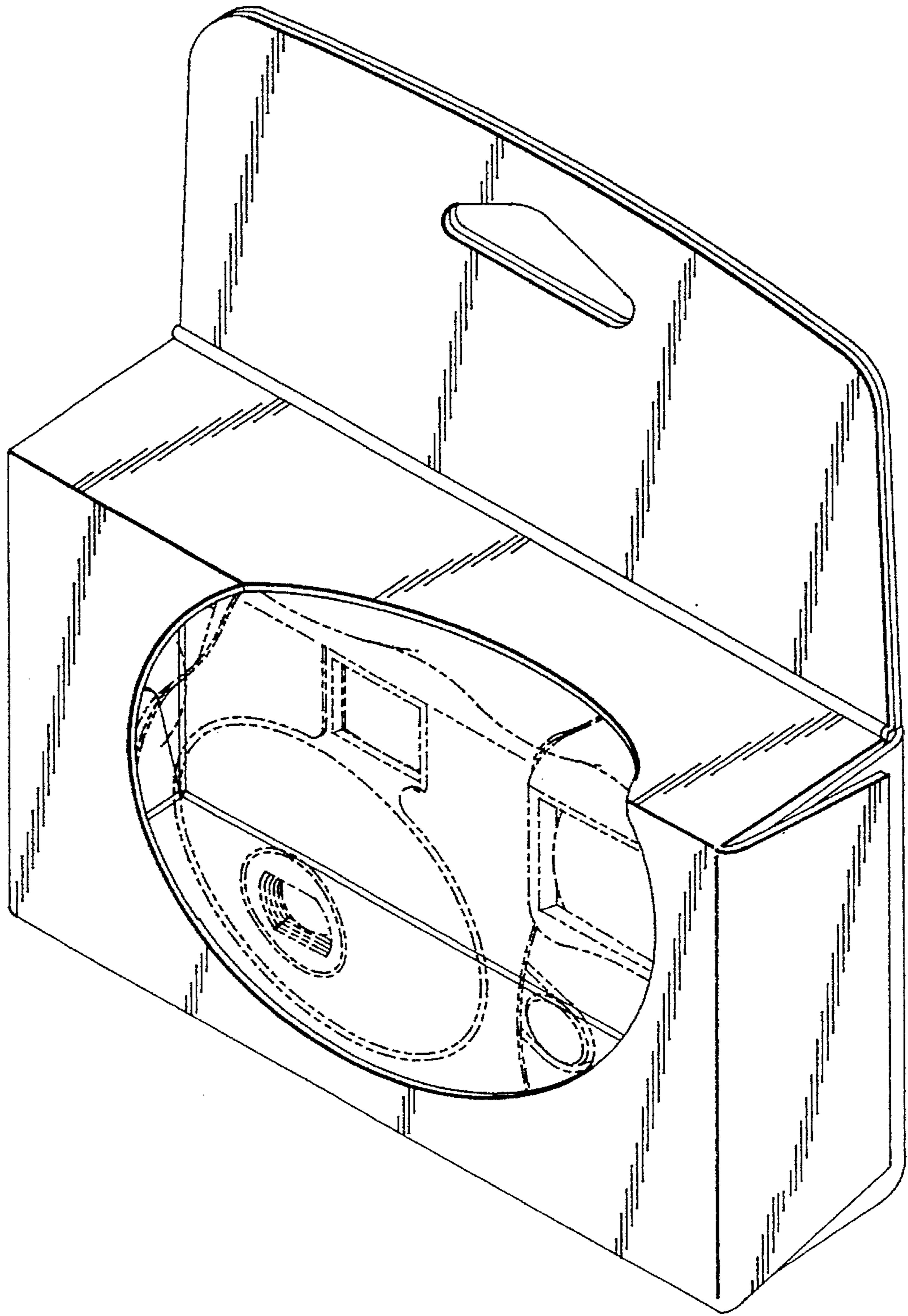


FIG. 1

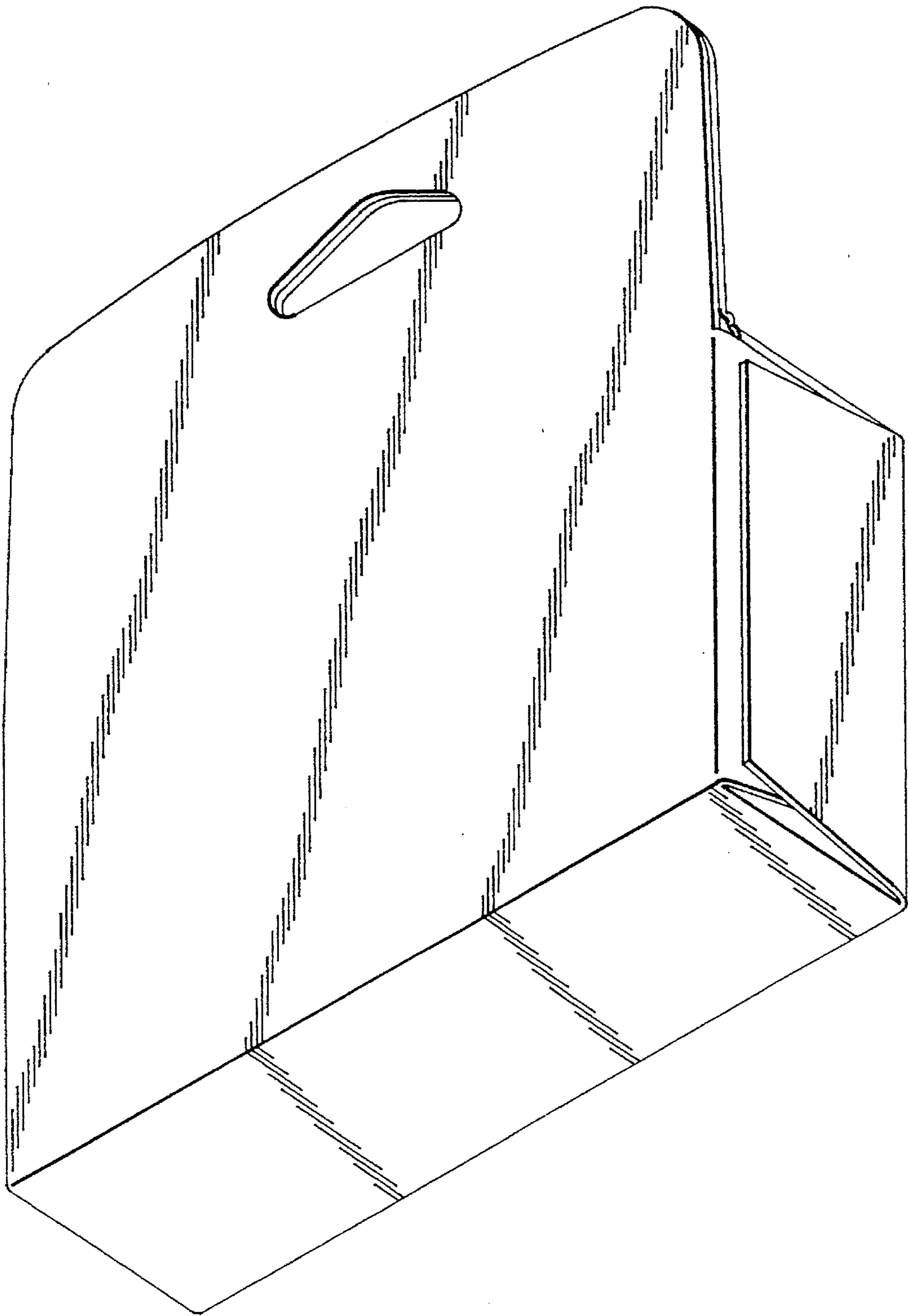


FIG. 2

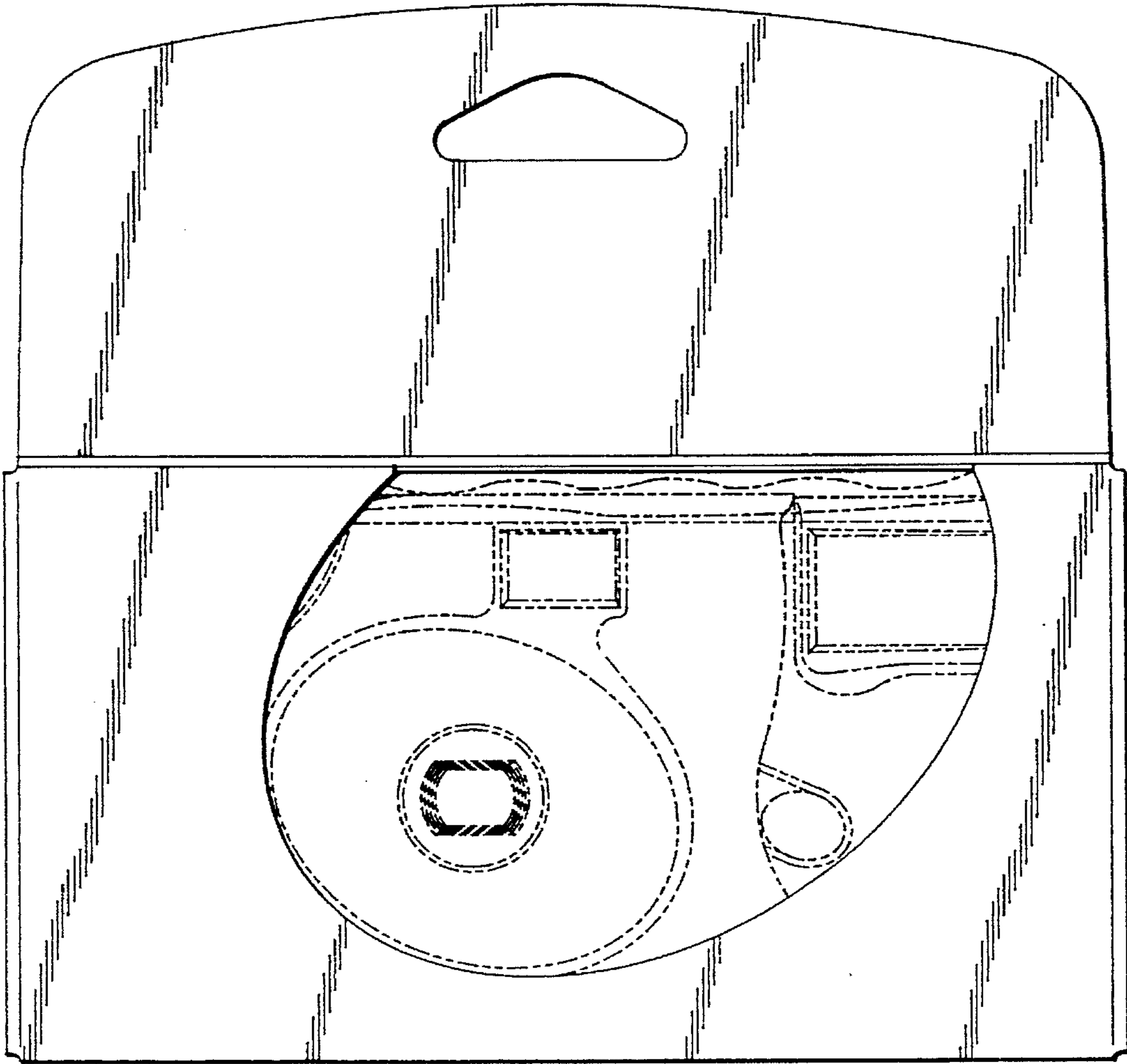


FIG. 3

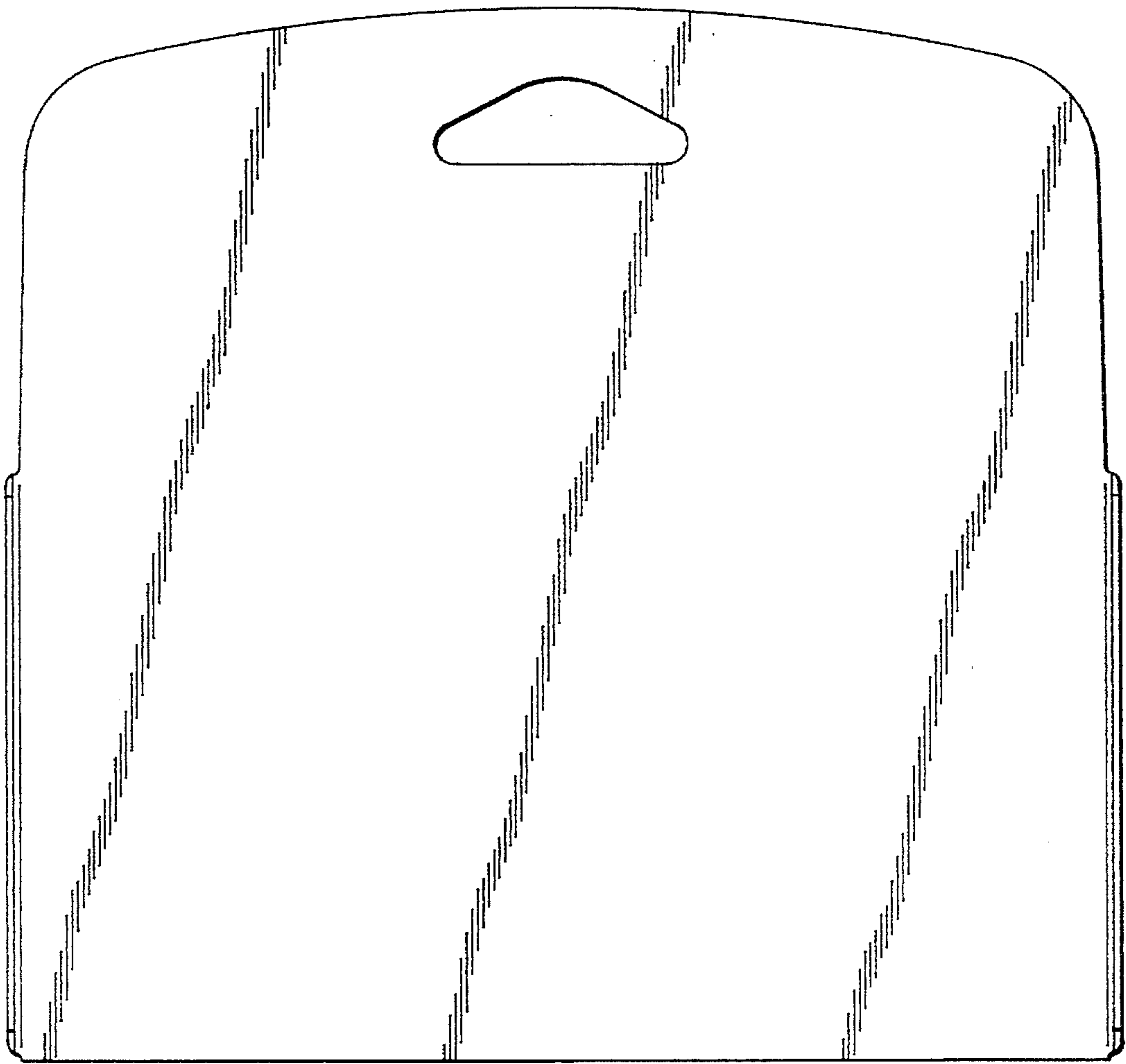


FIG. 4

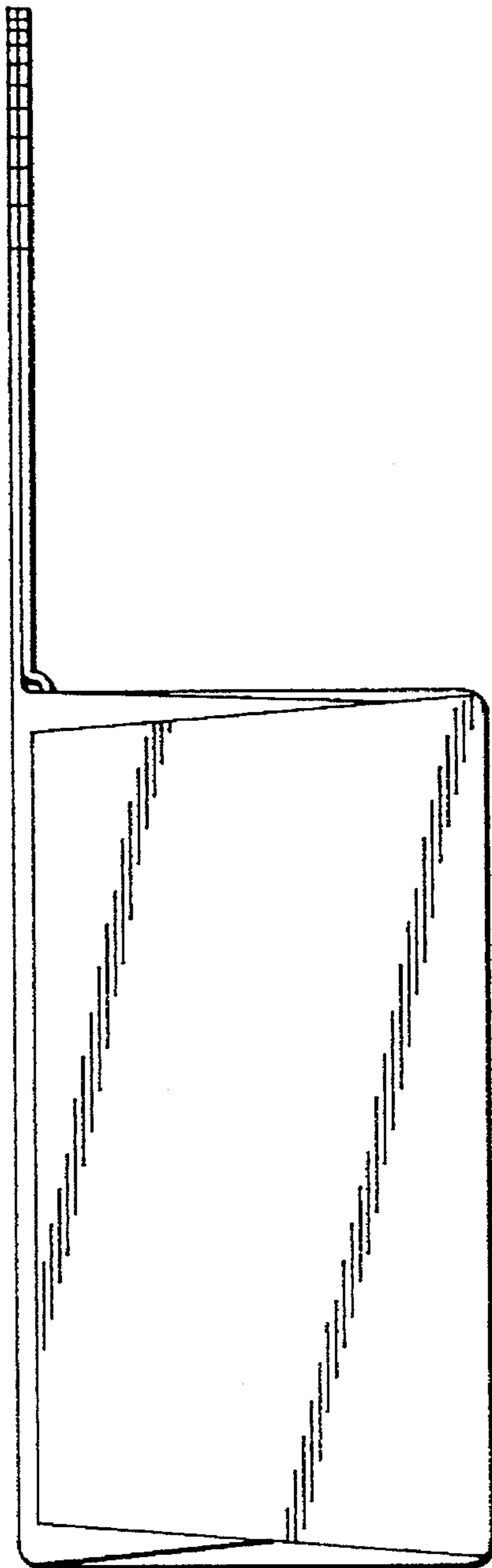


FIG. 5

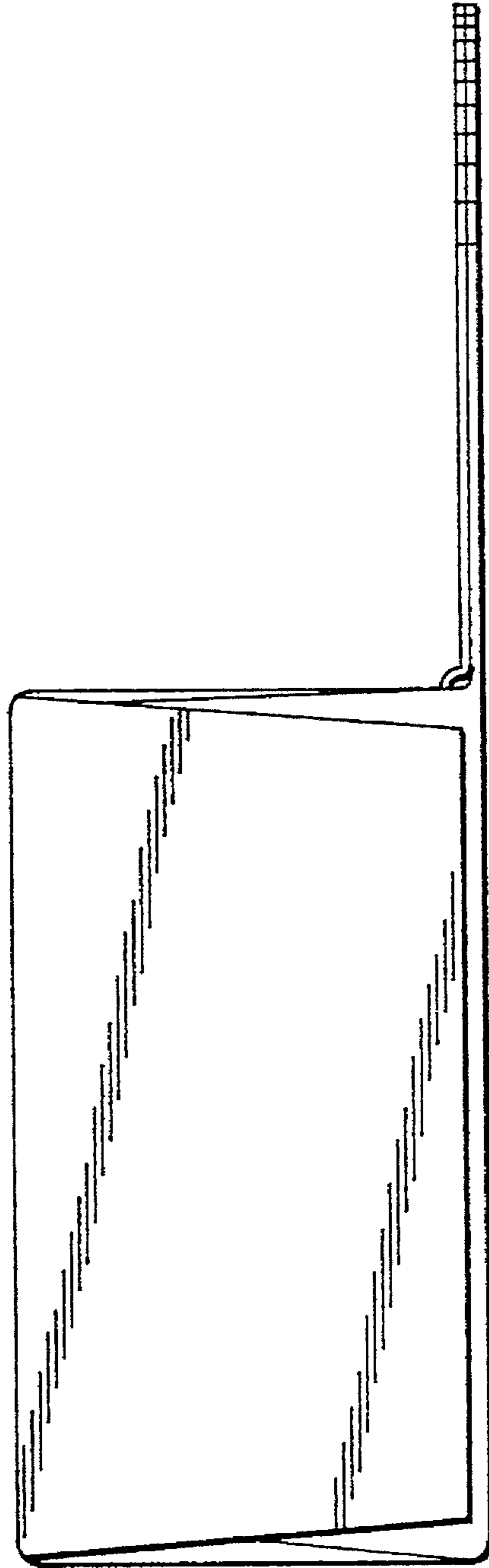


FIG. 6

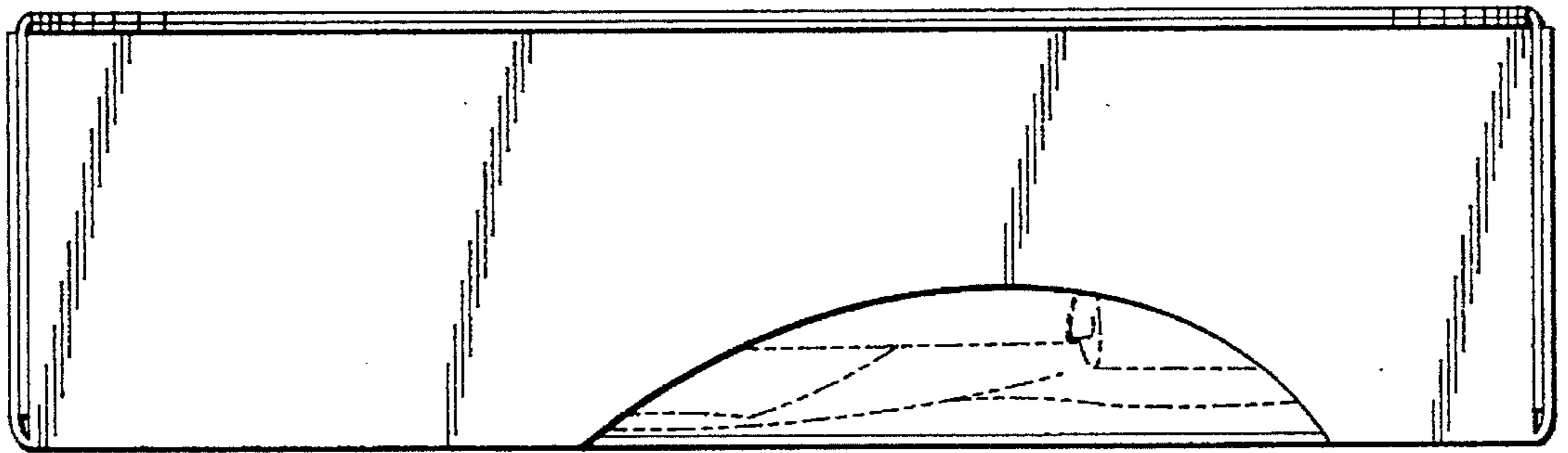


FIG. 7

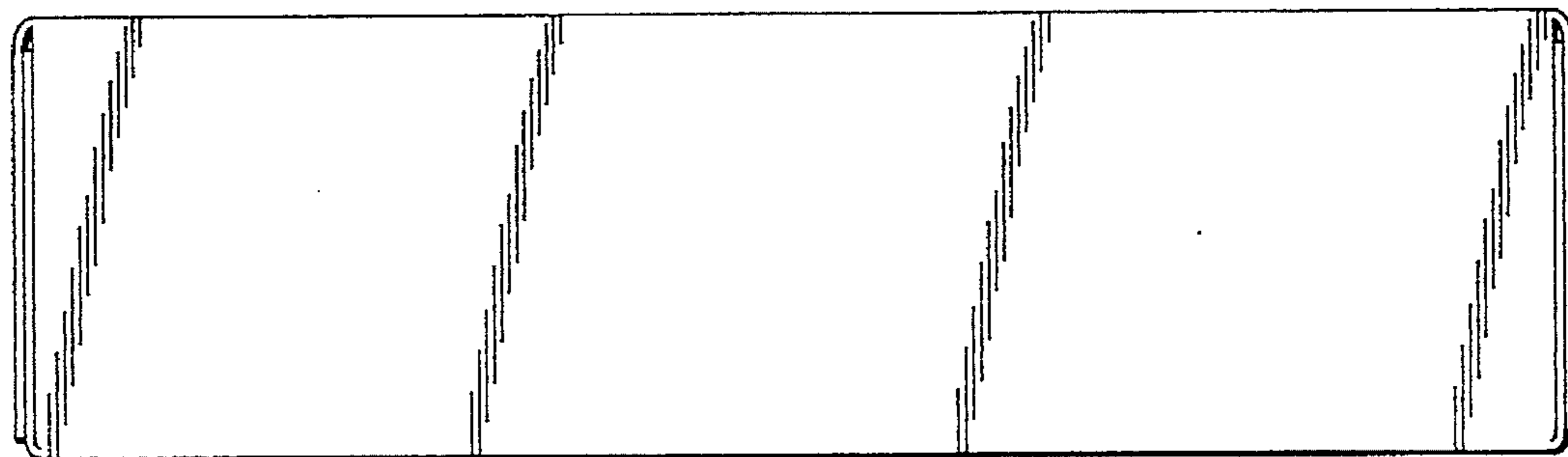


FIG. 8