



US00D364556S

United States Patent [19]

[11] Patent Number: **Des. 364,556**

Lee et al.

[45] Date of Patent: ****Nov. 28, 1995**

[54] SNOW GUARD

1,463,065	7/1923	Sieger .	
1,863,561	6/1932	Brinker et al.	52/24
4,141,182	2/1979	McMullen	52/24
5,349,791	9/1994	Zaleski	52/24

[75] Inventors: **Ho Lee**, Bowie, Md.; **David M. Hurr**, Falls Church, Va.

[73] Assignee: **Snoloc Corporation**, Upper Marlboro, Md.

FOREIGN PATENT DOCUMENTS

450557	7/1949	Italy	52/24
--------	--------	-------------	-------

[**] Term: **14 Years**

Primary Examiner—Ted Shooman
Assistant Examiner—C. Tuttle
Attorney, Agent, or Firm—Birch, Stewart, Kolasch & Birch

[21] Appl. No.: **27,836**

[22] Filed: **Aug. 30, 1994**

[52] U.S. Cl. **D8/499**

[58] Field of Search D8/400, 499; 52/24-26

[57] CLAIM

The ornamental design for a snow guard, as shown and described.

[56] References Cited

DESCRIPTION

U.S. PATENT DOCUMENTS

D. 30,788	5/1899	Clark	D8/499
D. 109,697	5/1938	Cody	D8/499
D. 254,051	1/1980	Zaleski	D8/499
D. 314,506	2/1991	McMullen	D8/499
507,776	10/1893	Berger et al. .	
511,295	12/1893	Esselen	52/24
625,144	5/1899	Clark	52/24
860,457	7/1907	Frank, Jr. .	
1,095,822	5/1914	Danzer .	

FIG. 1 is a top front perspective view of a snow guard showing our new design;
FIG. 2 is a rear elevational view thereof;
FIG. 3 is a left side elevational view thereof, the side opposite being a mirror image of the side shown;
FIG. 4 is a top plan view thereof; and,
FIG. 5 is a bottom plan view thereof.

1 Claim, 1 Drawing Sheet

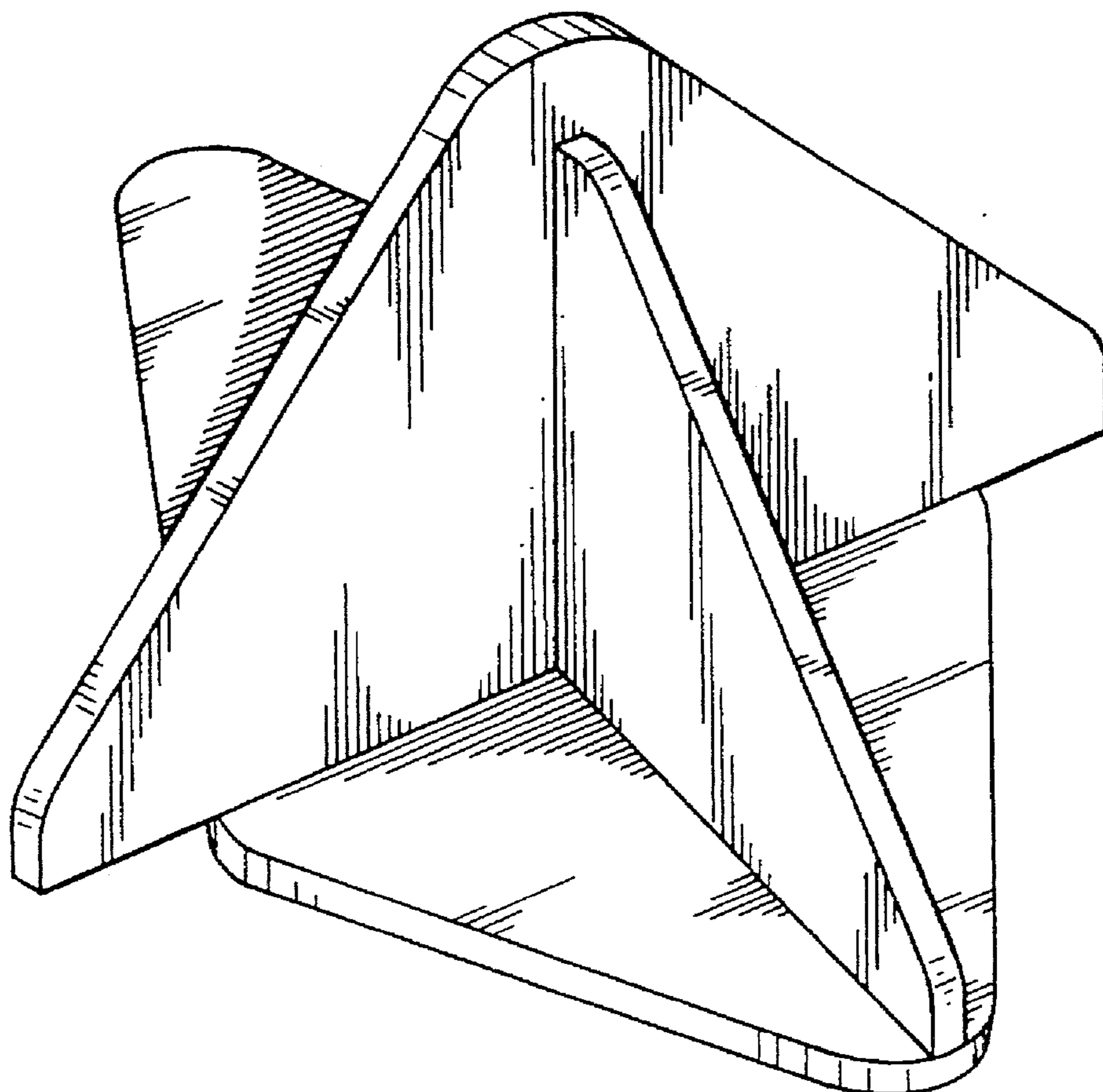


FIG. 1

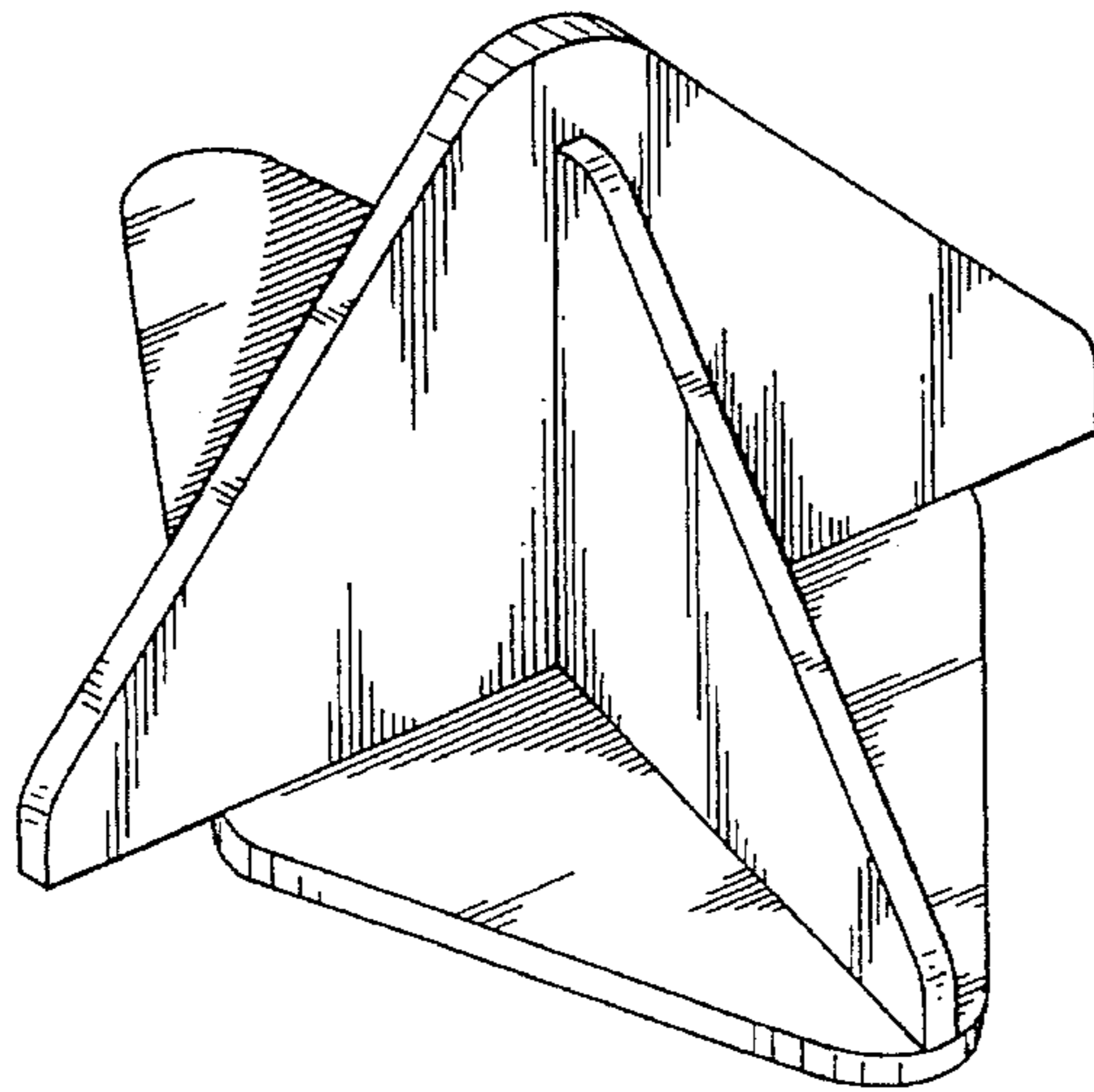


FIG. 2

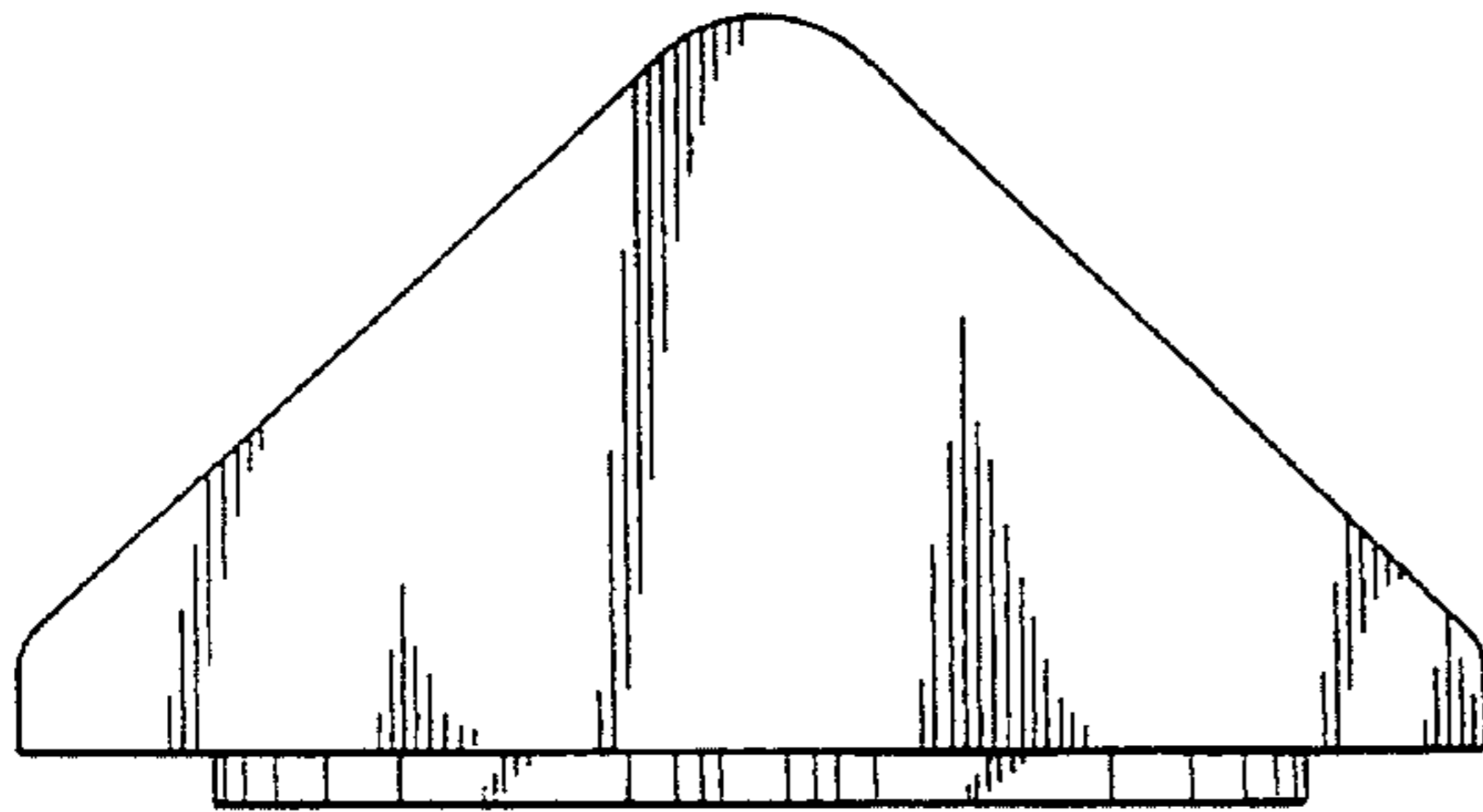


FIG. 3

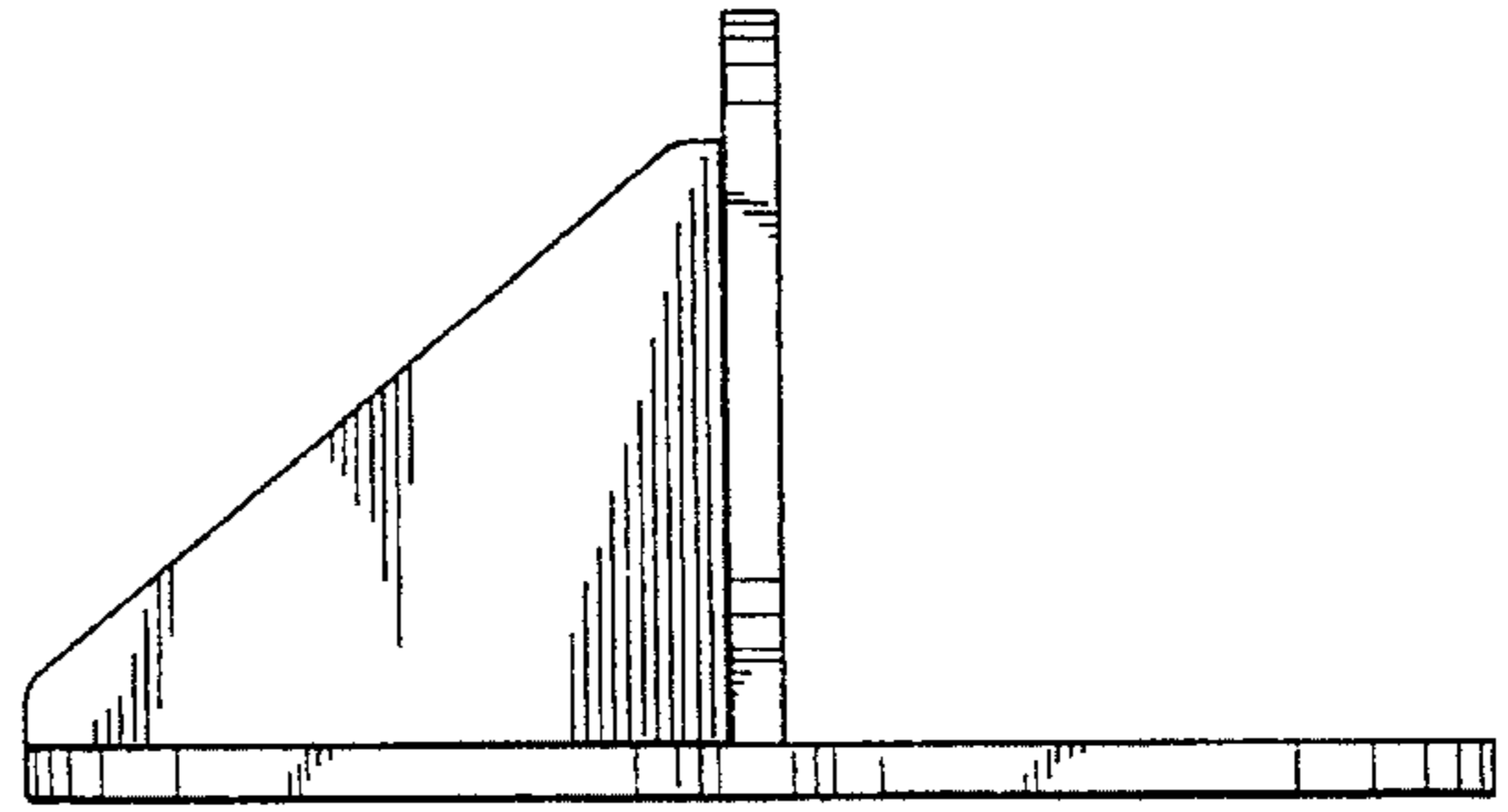


FIG. 4

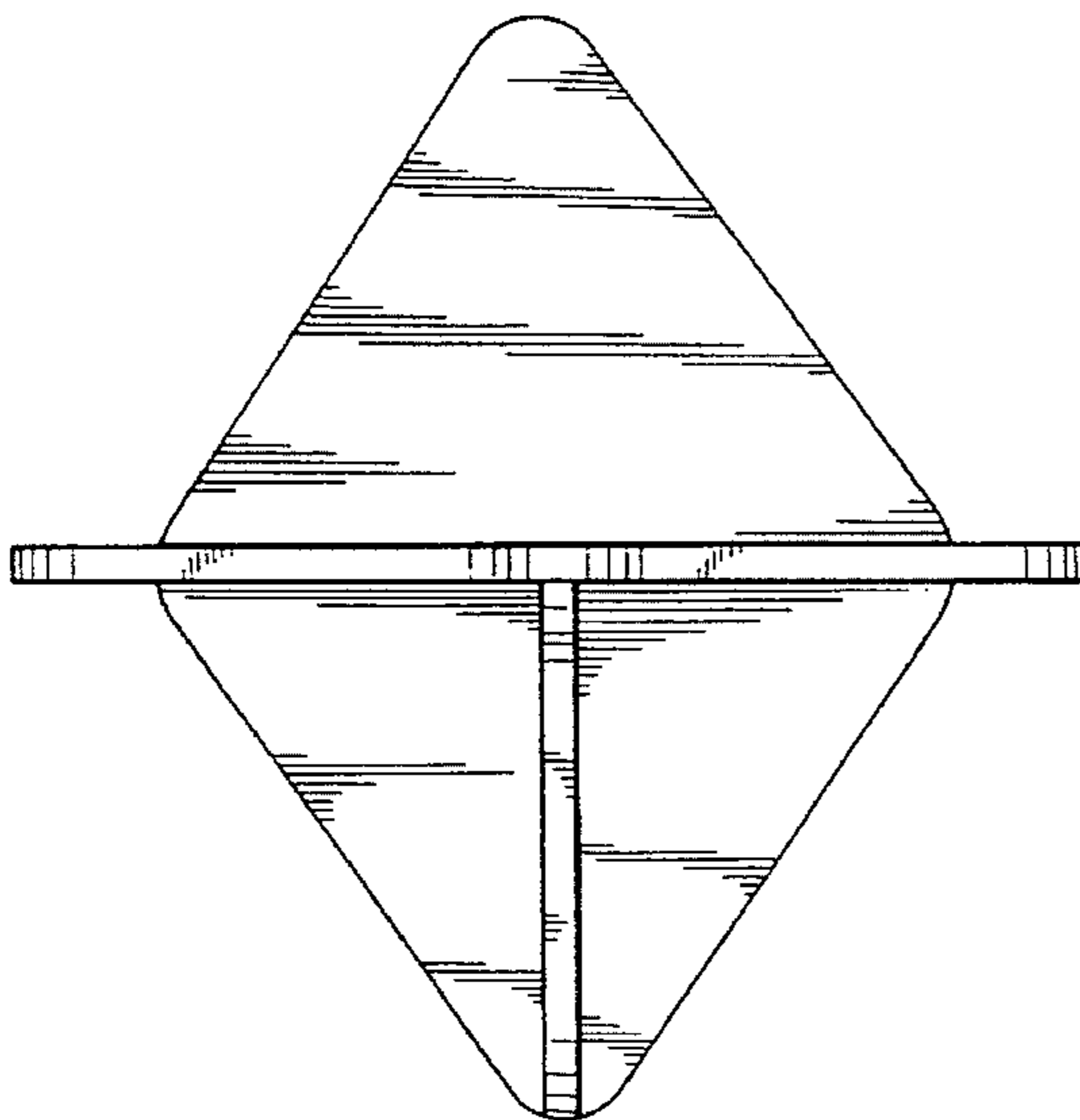


FIG. 5

