



US00D364555S

# United States Patent [19] Neiert

[11] Patent Number: **Des. 364,555**  
[45] Date of Patent: **\*\*Nov. 28, 1995**

[54] **INTRAVENOUS BOTTLE STAND CLAMP**

[76] Inventor: **Todd W. Neiert**, 5759 Hanley Close,  
Milford, Ohio 45150

[\*\*] Term: **14 Years**

[21] Appl. No.: **15,967**

[22] Filed: **Dec. 3, 1993**

[52] U.S. Cl. .... **D8/396**

[58] Field of Search ..... D8/382, 387, 394,  
D8/396; 24/335, 339; 160/22; 248/229,  
540, 541; 403/385

[56] **References Cited**

**U.S. PATENT DOCUMENTS**

D. 177,955	6/1956	Arbogast	.....	D8/396 X
D. 319,383	8/1991	Kihlström	.....	D8/396 X
4,903,929	2/1990	Hoffman	.....	248/229

**FOREIGN PATENT DOCUMENTS**

416179	11/1946	Italy	.....	D8/382
198091	5/1923	United Kingdom	.....	248/229

*Primary Examiner*—Terry A. Wallace  
*Assistant Examiner*—Nanda Bondade  
*Attorney, Agent, or Firm*—John D. Gugliotta

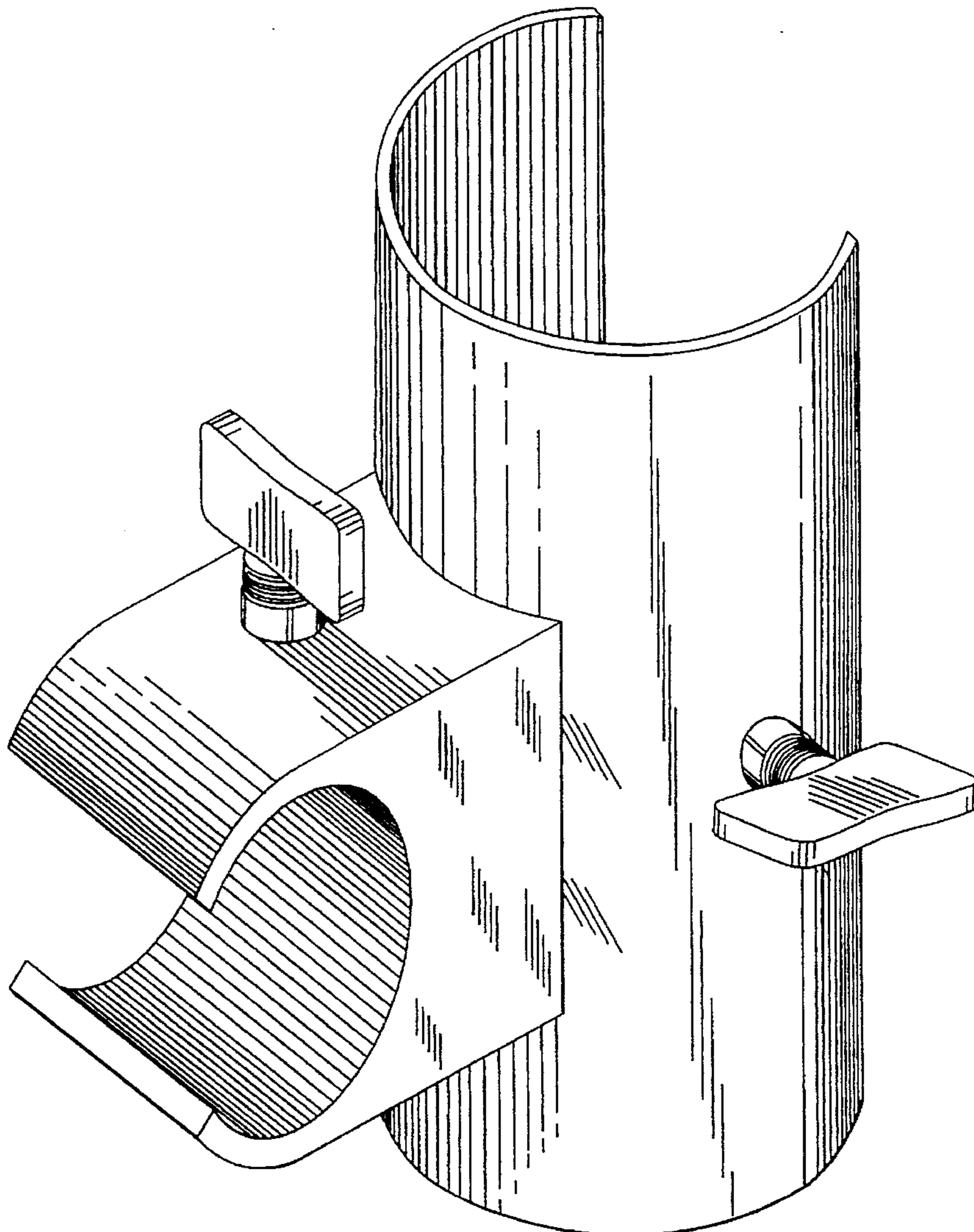
[57] **CLAIM**

The ornamental design for a intravenous bottle stand clamp, as shown and described.

**DESCRIPTION**

FIG. 1 is a perspective view of the intravenous bottle stand clamp showing my new design; FIG. 2 is a top plan view thereof; FIG. 3 is a bottom plan view thereof; FIG. 4 is a right side elevational view thereof; and FIG. 5 is a rear elevational view thereof.

**1 Claim, 4 Drawing Sheets**



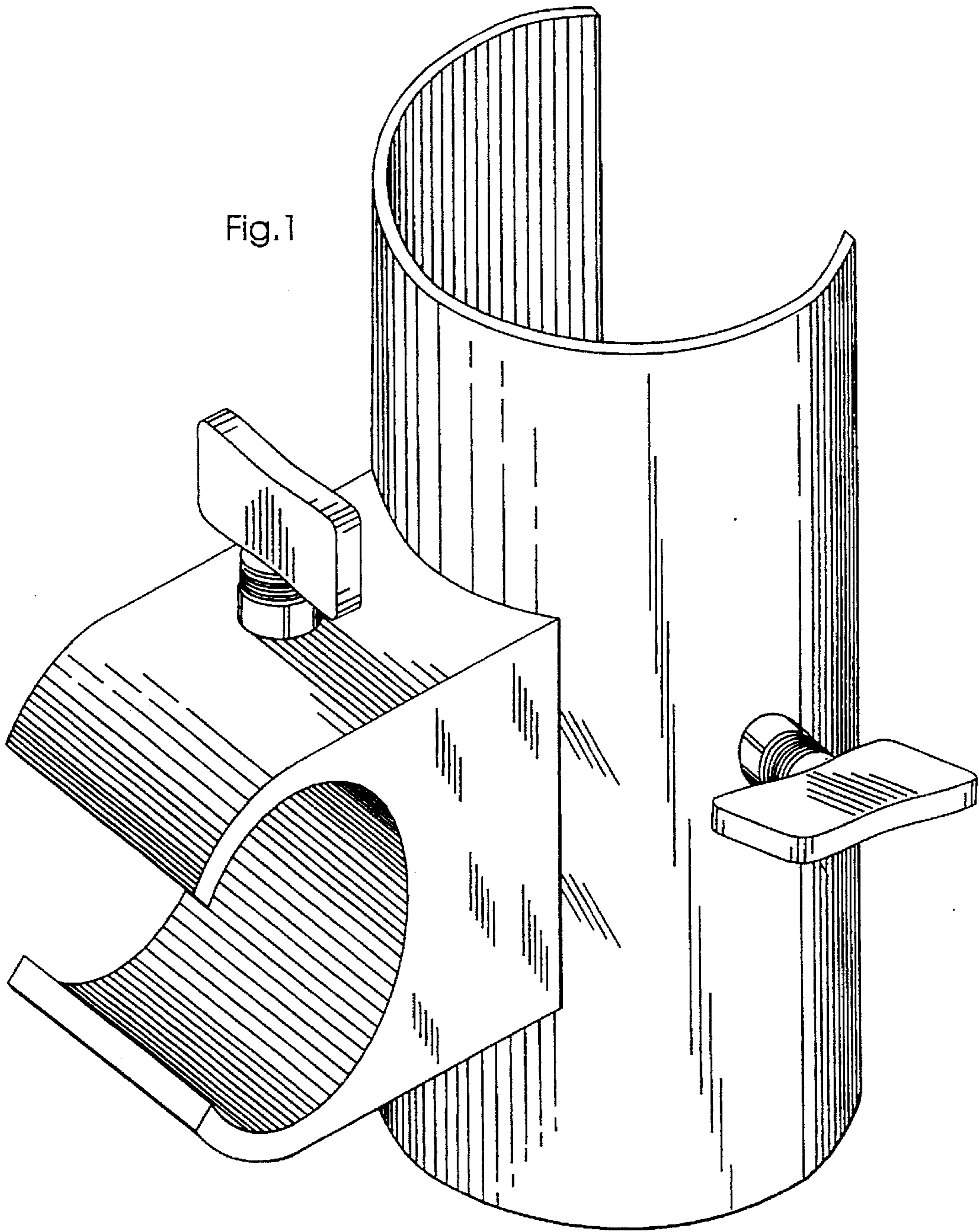


Fig.2

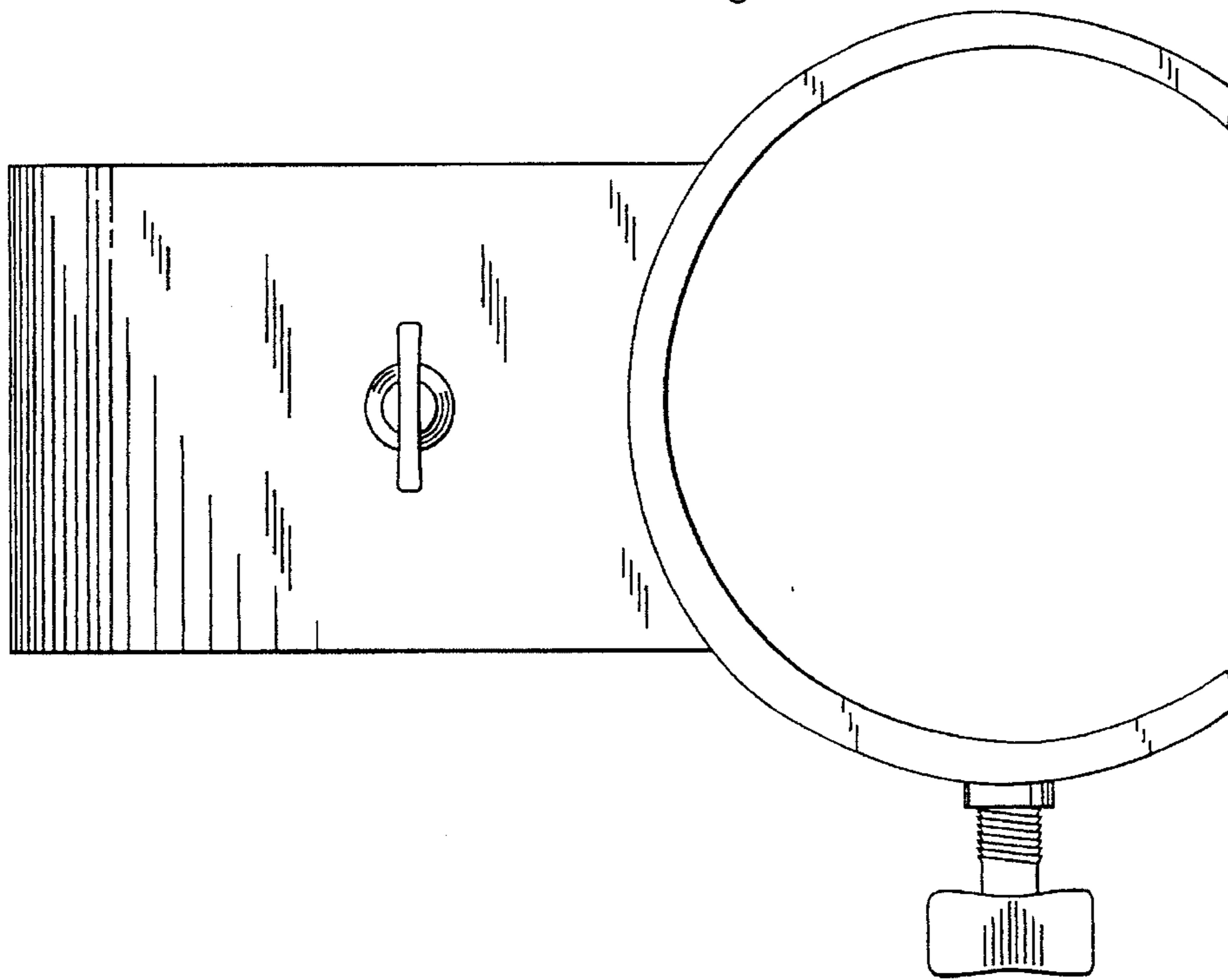
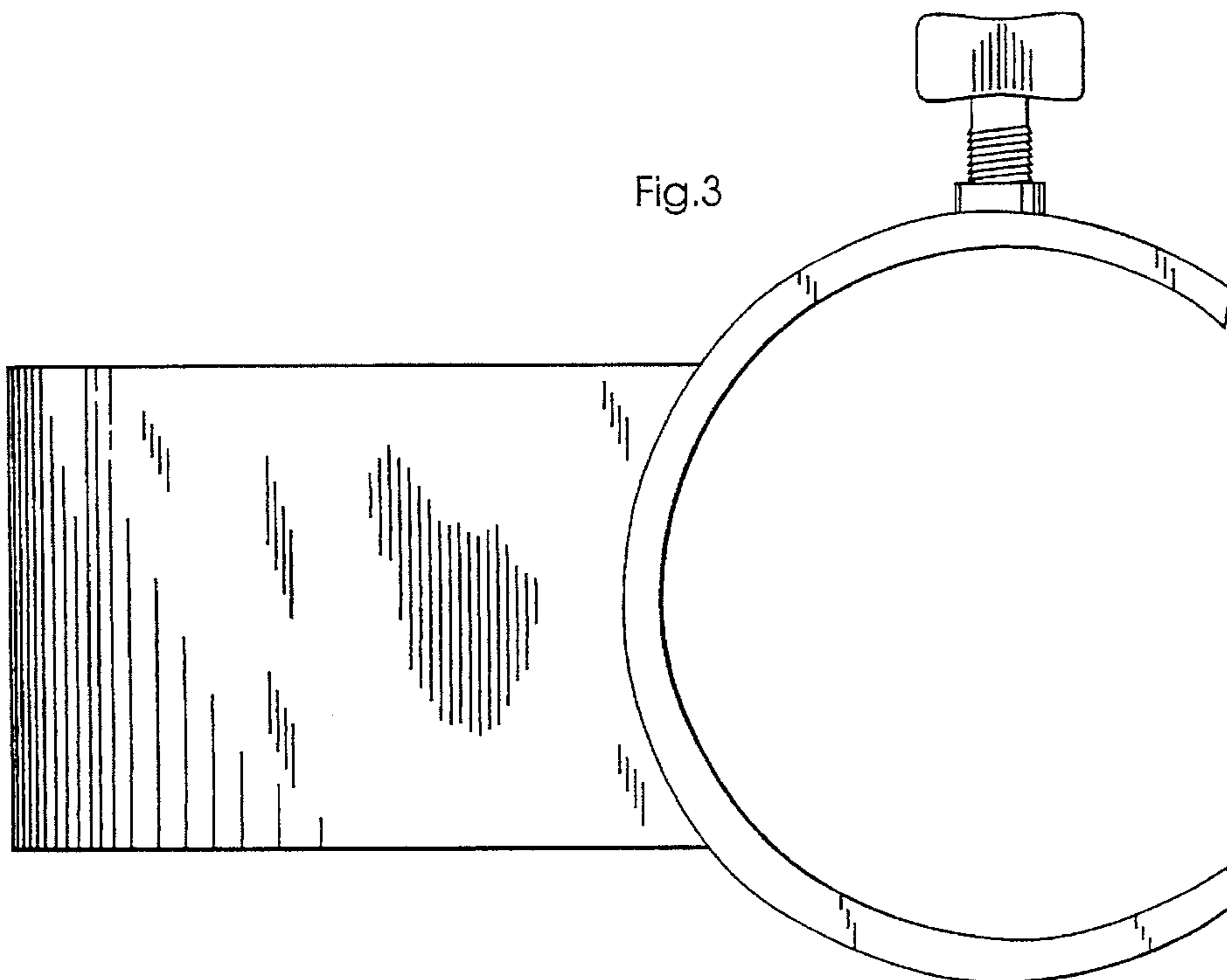


Fig.3





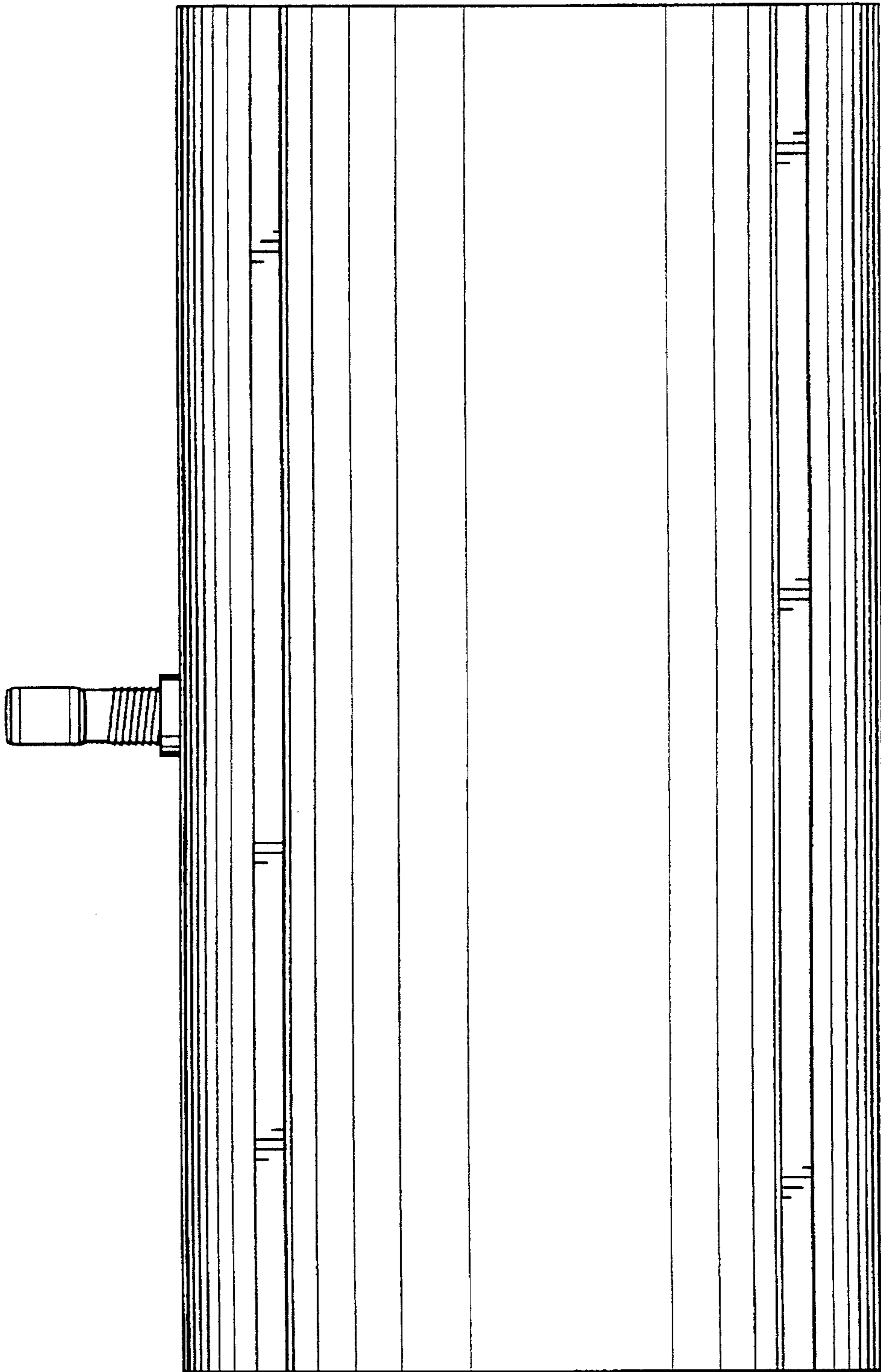


Fig.4

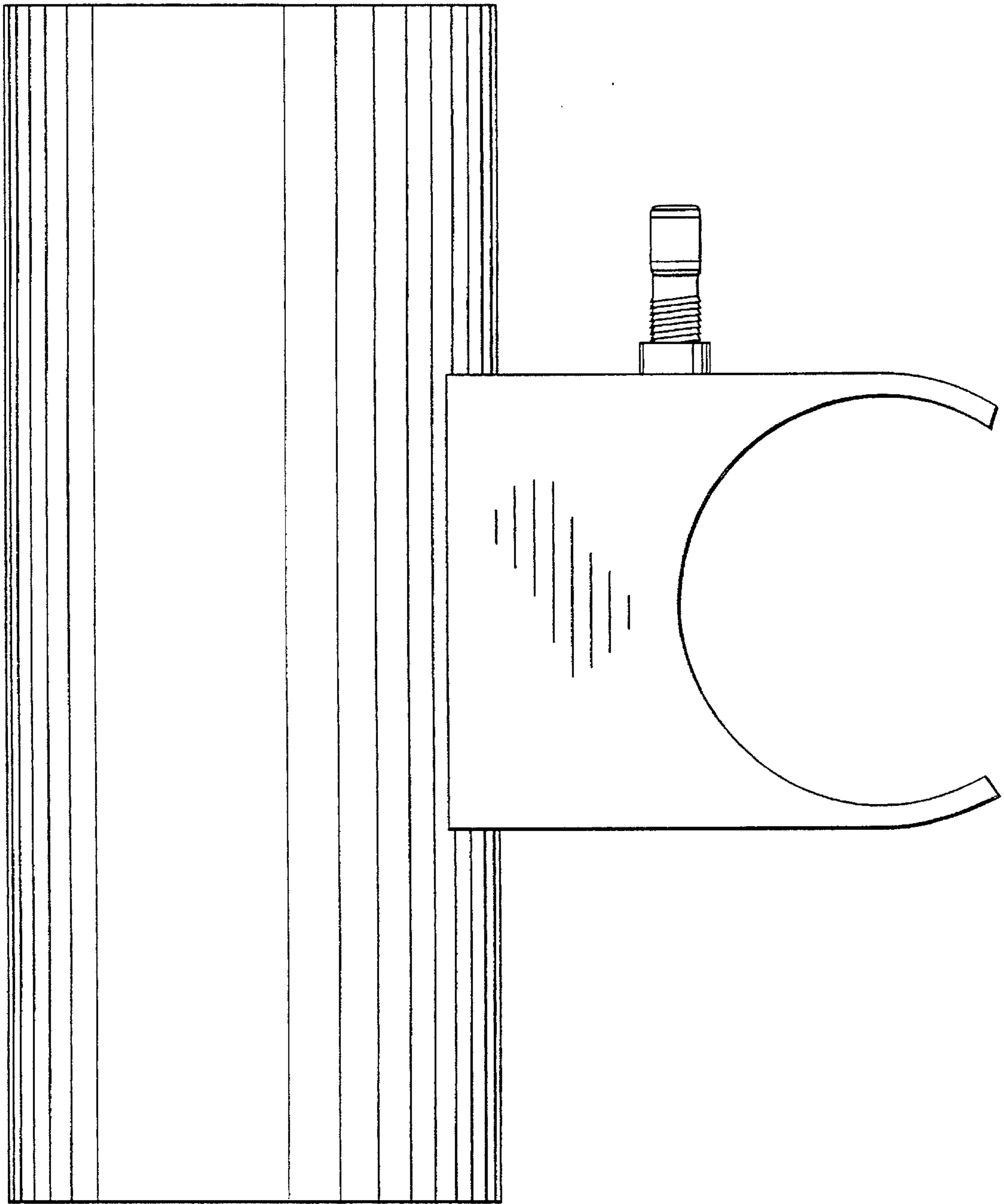


Fig.5