



US00D364554S

United States Patent [19]

[11] **Patent Number: Des. 364,554**

Seo

[45] **Date of Patent: **Nov. 28, 1995**

[54] **CONNECTOR MEMBER**

[76] Inventor: **Chun S. Seo**, 1003-112 Juk Jen-Ri, Suji-Myon, Yongin-Gun Kyung Ki-Do, Rep. of Korea

[**] Term: **14 Years**

[21] Appl. No.: **8,452**

[22] Filed: **May 18, 1993**

[52] U.S. Cl. **D8/382**

[58] Field of Search D8/382; 403/170, 403/171, 405.1, 295, 172, 292, 343

[56] **References Cited**

U.S. PATENT DOCUMENTS

3,873,220	3/1975	Kashiwabara	403/292
3,881,830	5/1975	Kato et al.	403/171
4,637,748	1/1987	Beavers	403/170
4,648,734	3/1987	Davis, Jr. et al.	403/170
5,046,882	9/1991	Ju	403/170
5,169,258	12/1992	Raynak	403/170

Assistant Examiner—Philip Hyder
Attorney, Agent, or Firm—Oblon, Spivak, McClelland, Maier & Neustadt

[57] **CLAIM**

The ornamental design for a connector member, as shown and described.

DESCRIPTION

FIG. 1 is a bottom, front and left side perspective view of a connector member, showing my new design;

FIG. 2 is a top plan view thereof;

FIG. 3 is a bottom view thereof;

FIG. 4 is a front elevational view thereof, the rear view being a mirror image;

FIG. 5 is a right side view thereof, the left side being a mirror image; and,

FIG. 6 is a sectional view thereof taken along line 6—6 in FIG. 5.

The broken line showing in FIG. 6 is for illustrative purposes only and forms no part of the claimed design.

Primary Examiner—Theodore M. Shoomian

1 Claim, 3 Drawing Sheets

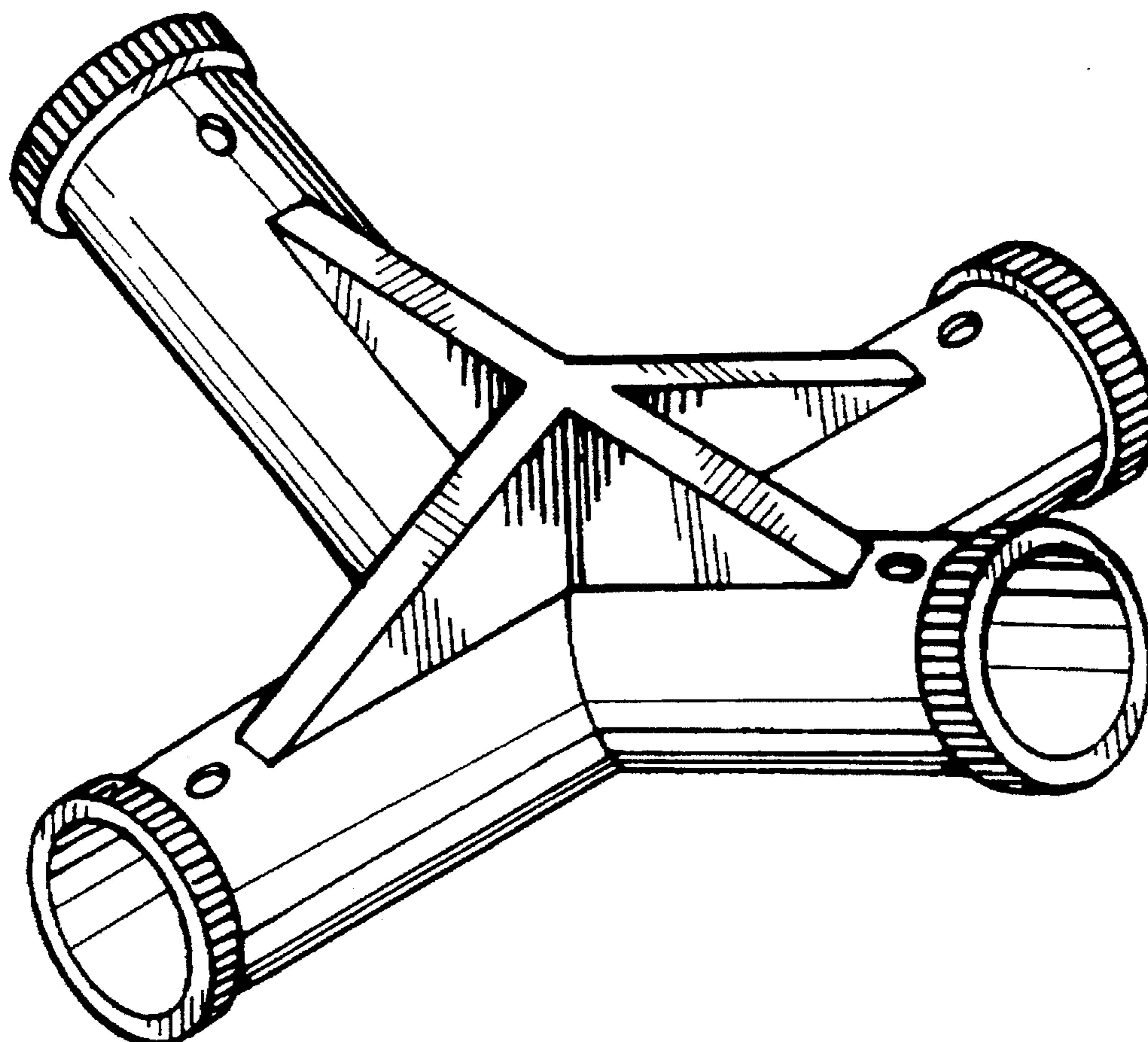


FIG. 1

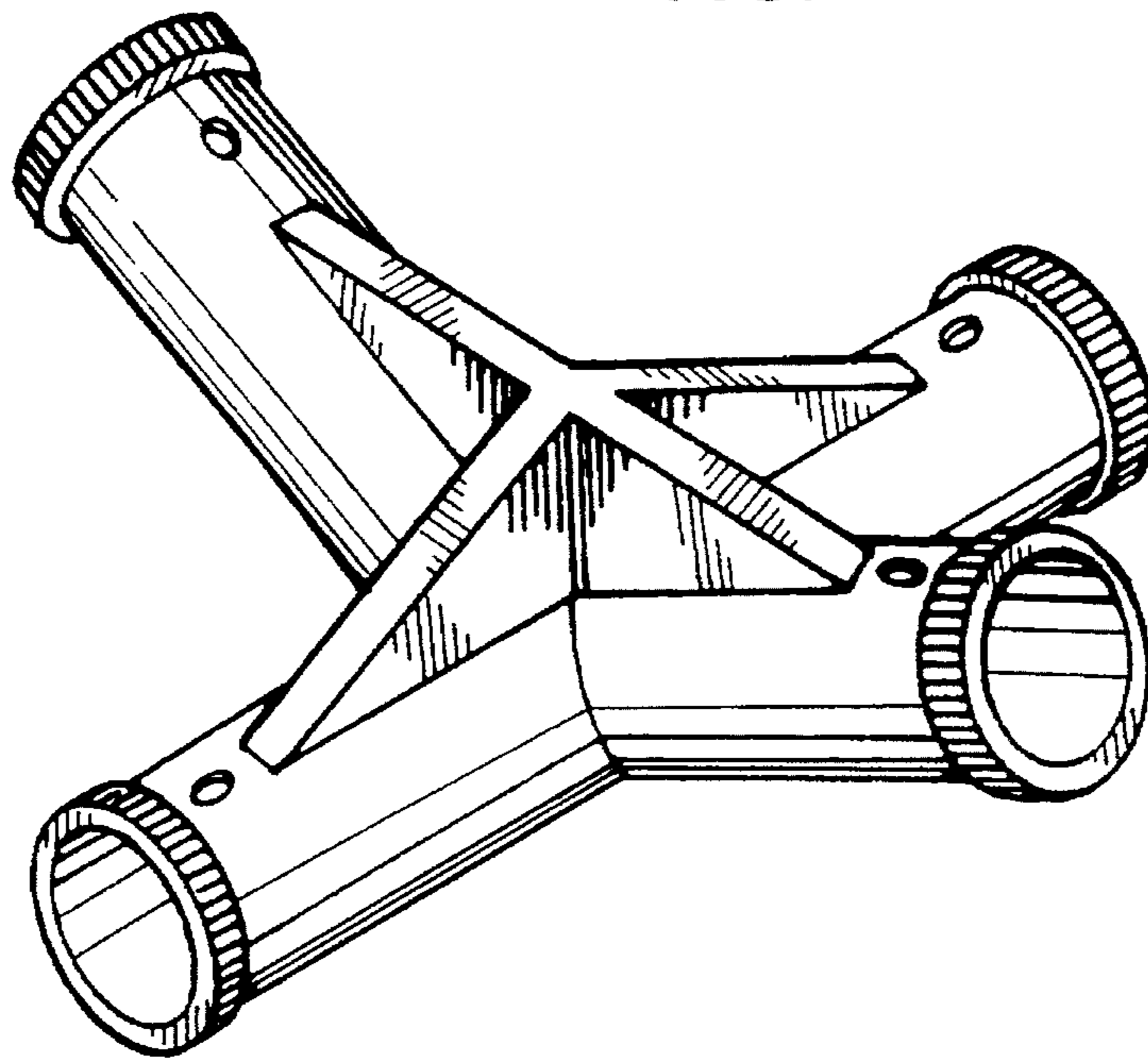


FIG. 2

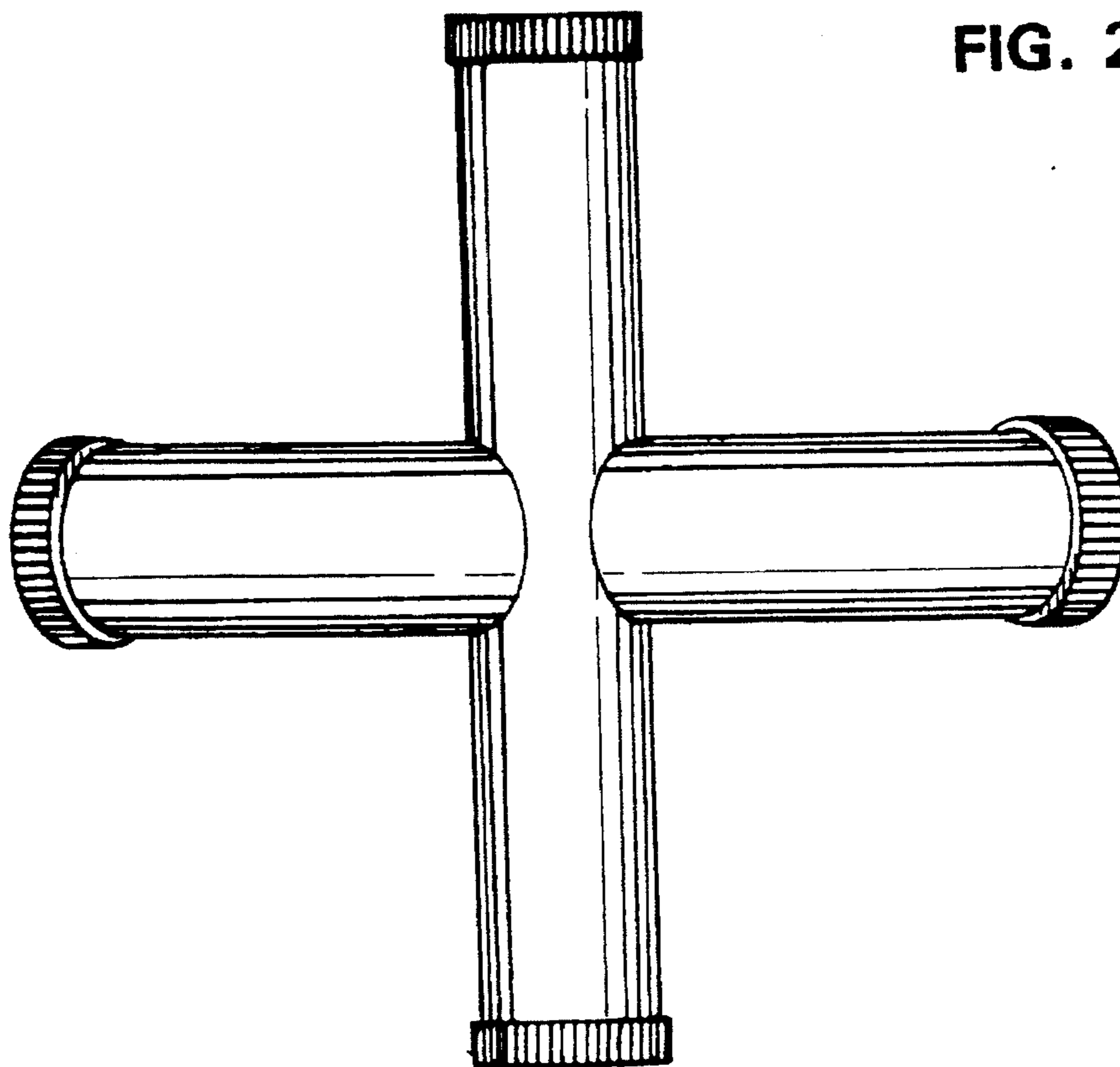


FIG. 3

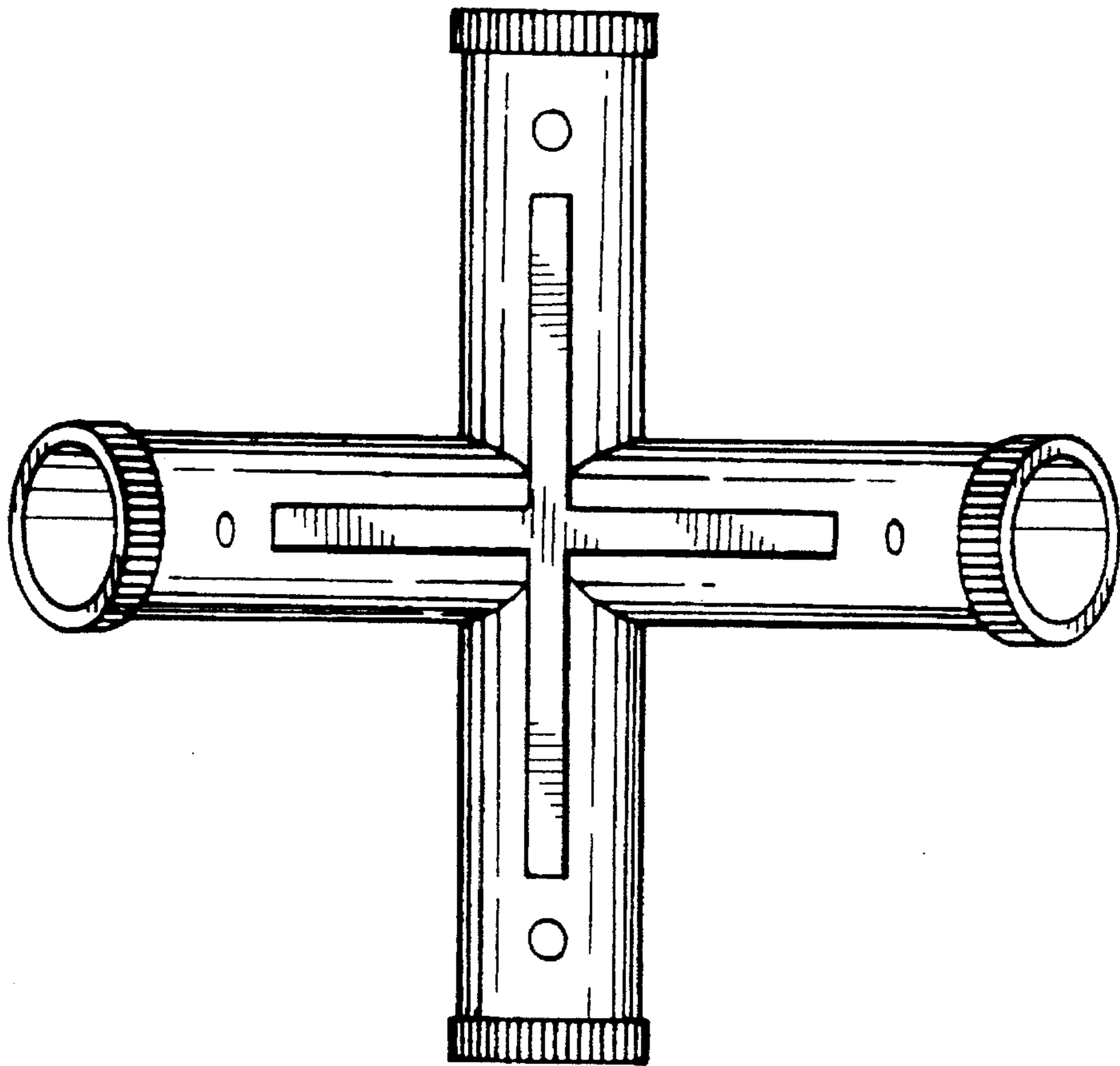


FIG. 4

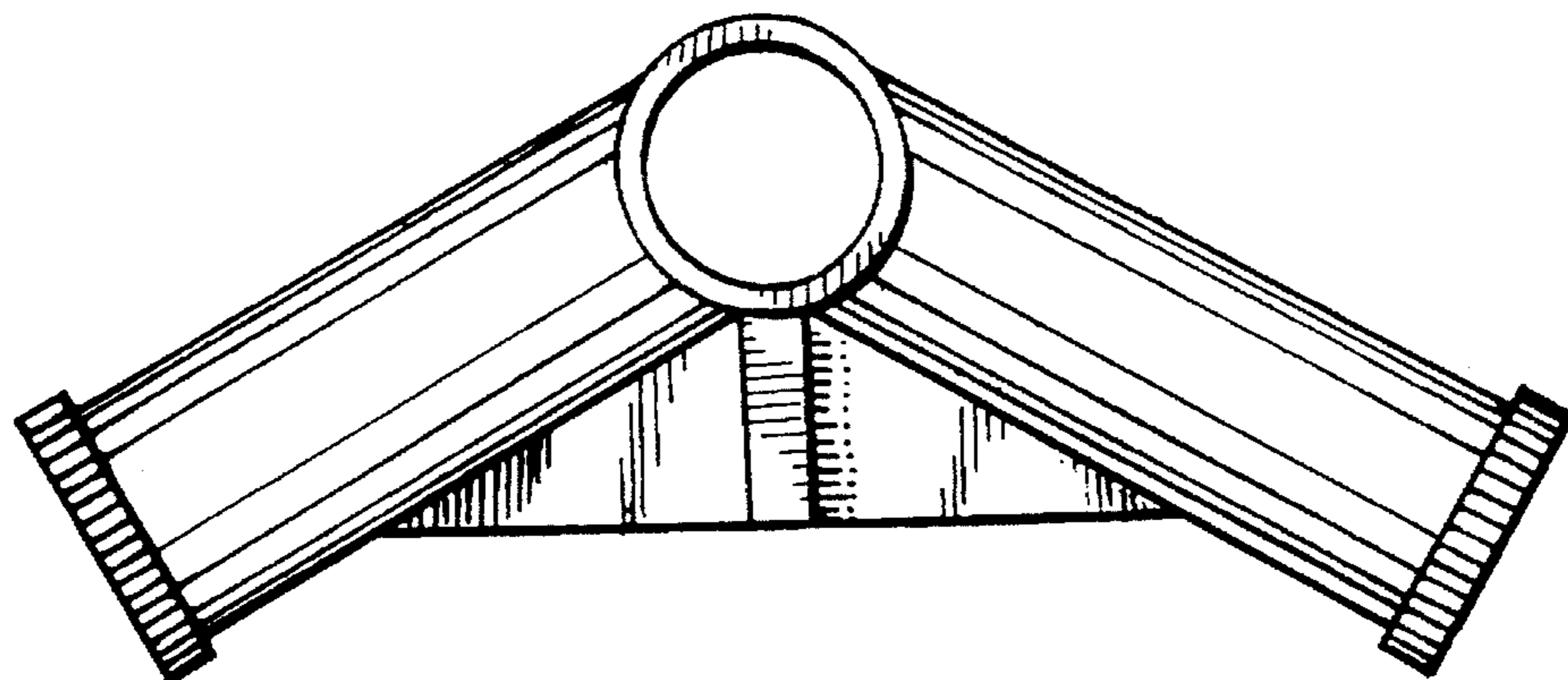


FIG. 5

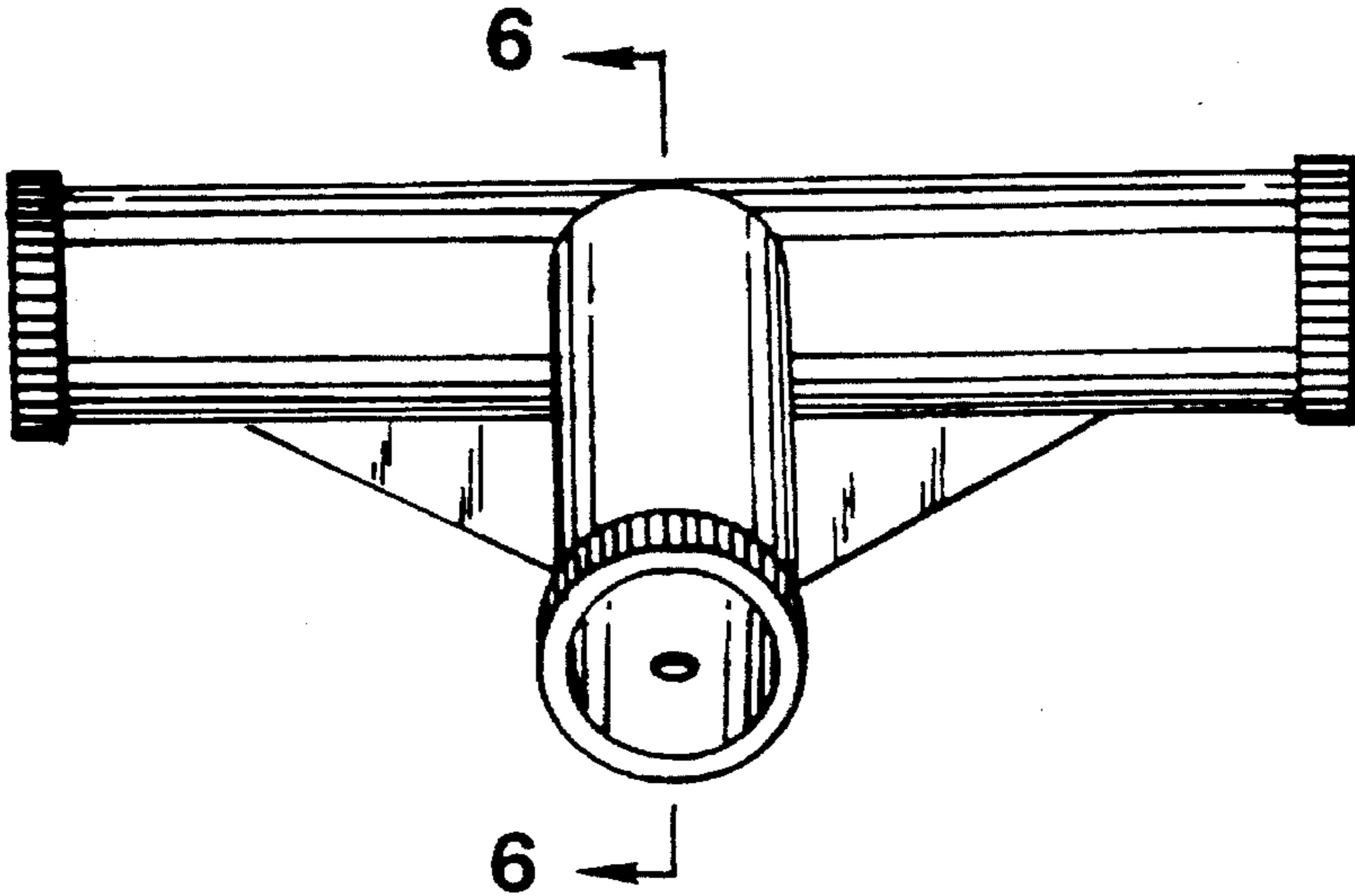


FIG. 6

