



US00D364549S

**United States Patent** [19]  
**Myers**

[11] **Patent Number: Des. 364,549**  
[45] **Date of Patent: \*\*Nov. 28, 1995**

[54] **MOTORCYCLE SADDLE BAG LOCK**

4,716,749 1/1988 Johnson ..... 70/491

[75] Inventor: **Gary L. Myers, Monee, Ill.**

*Primary Examiner*—Kay H. Chin  
*Attorney, Agent, or Firm*—Leydig, Voit & Mayer

[73] Assignee: **Fort Lock Corporation, River Grove, Ill.**

[57] **CLAIM**

[\*\*] Term: **14 Years**

The ornamental design for a motorcycle saddle bag lock, as shown and described.

[21] Appl. No.: **27,607**

**DESCRIPTION**

[22] Filed: **Aug. 25, 1994**

FIG. 1 is a front perspective view of a motorcycle saddle bag lock showing my new design;

[52] U.S. Cl. .... **D8/331; D8/343**

FIG. 2 is a top end elevational view thereof;

[58] **Field of Search** ..... D8/331, 336, 343,  
D8/330; 70/491, 252, 404, 373, 247

FIG. 3 is a bottom end elevational view thereof;

FIG. 4 is a right side elevational view thereof;

[56] **References Cited**

FIG. 5 is a top plan view thereof;

FIG. 6 is a left side plan view thereof; and,

FIG. 7 is a bottom plan view thereof.

**U.S. PATENT DOCUMENTS**

3,102,412 9/1963 Christopher ..... 70/491  
3,251,205 5/1966 Kerr ..... 70/491

**1 Claim, 2 Drawing Sheets**

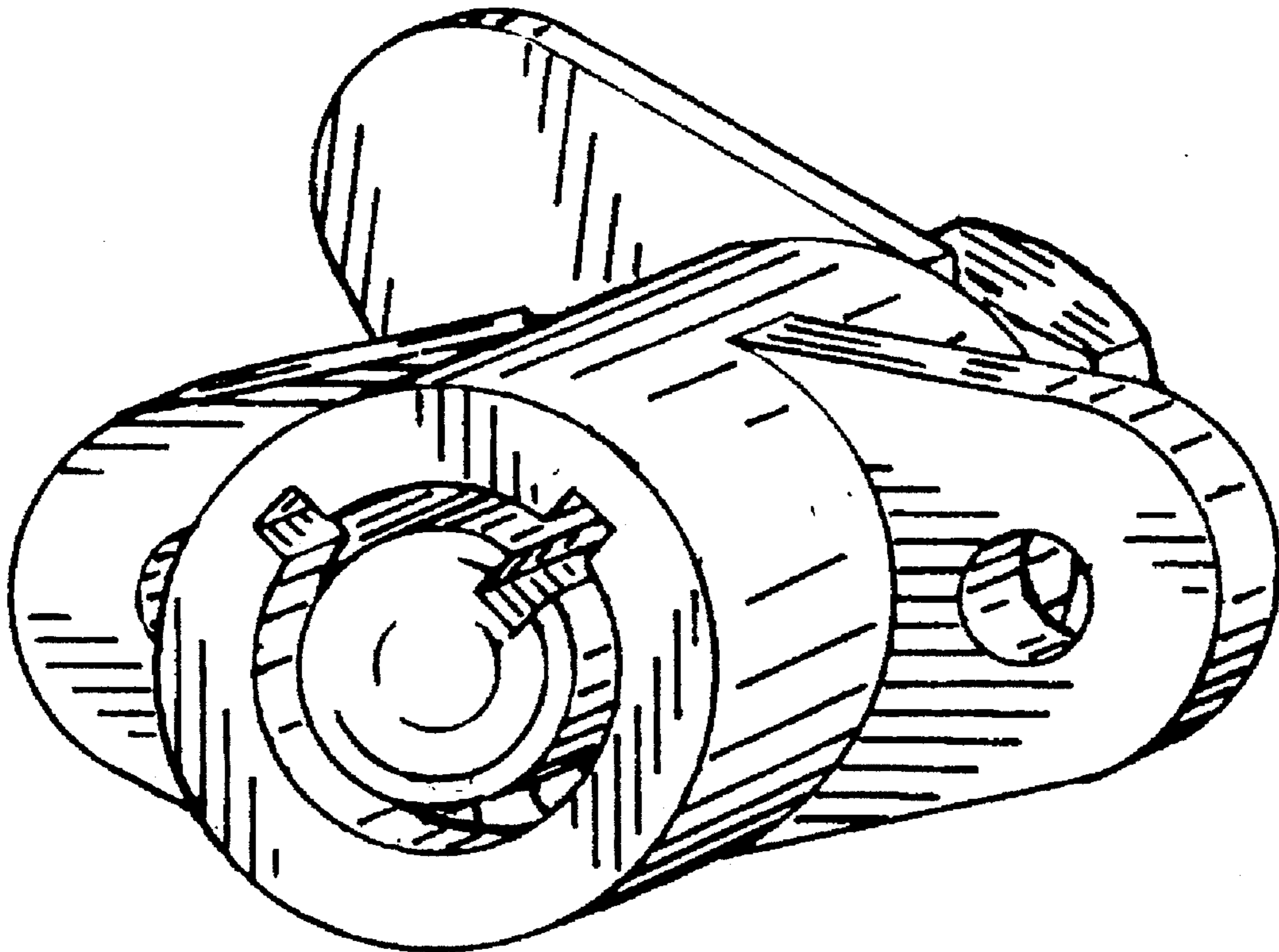


FIG. 1

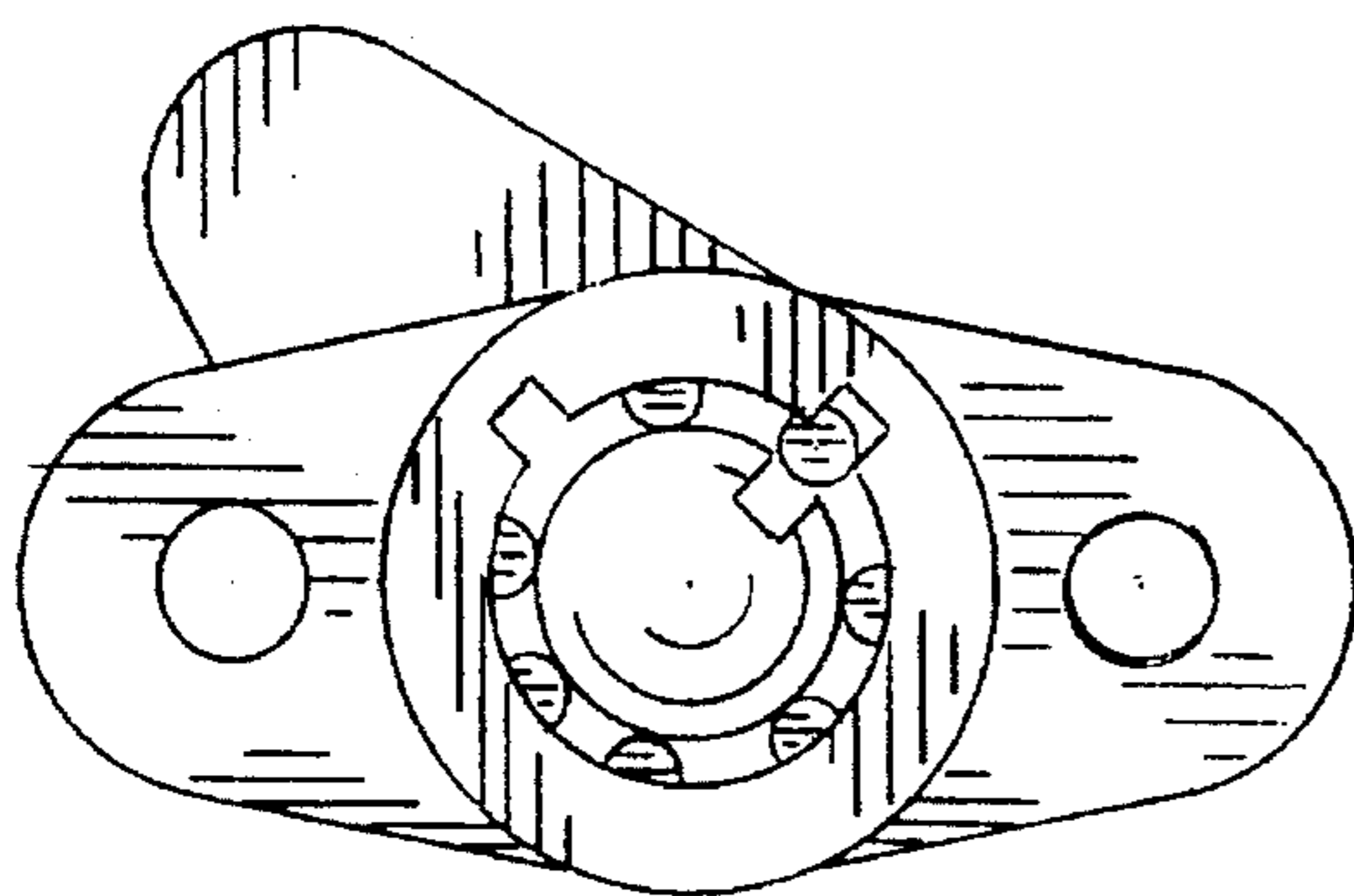
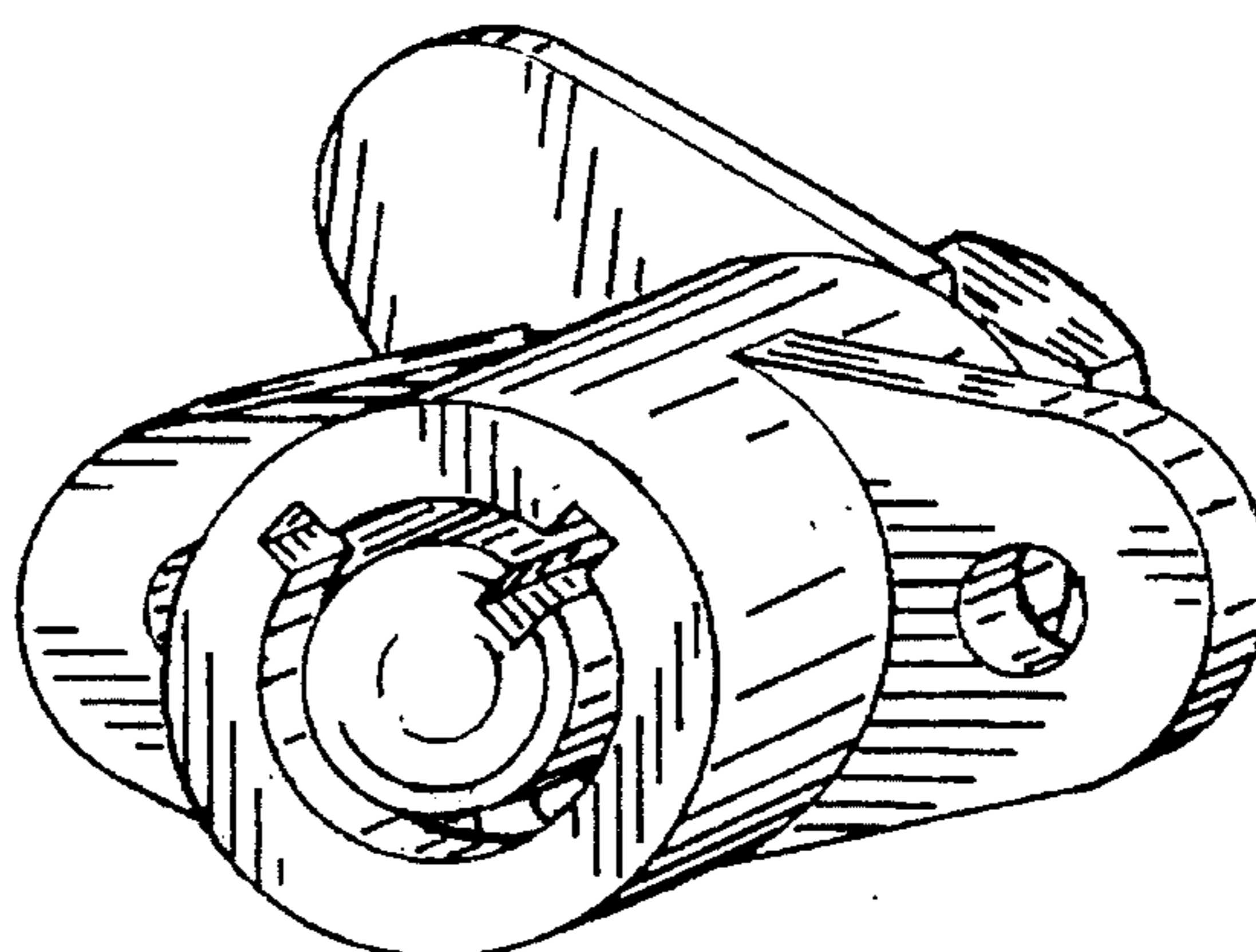


FIG. 2

FIG. 3

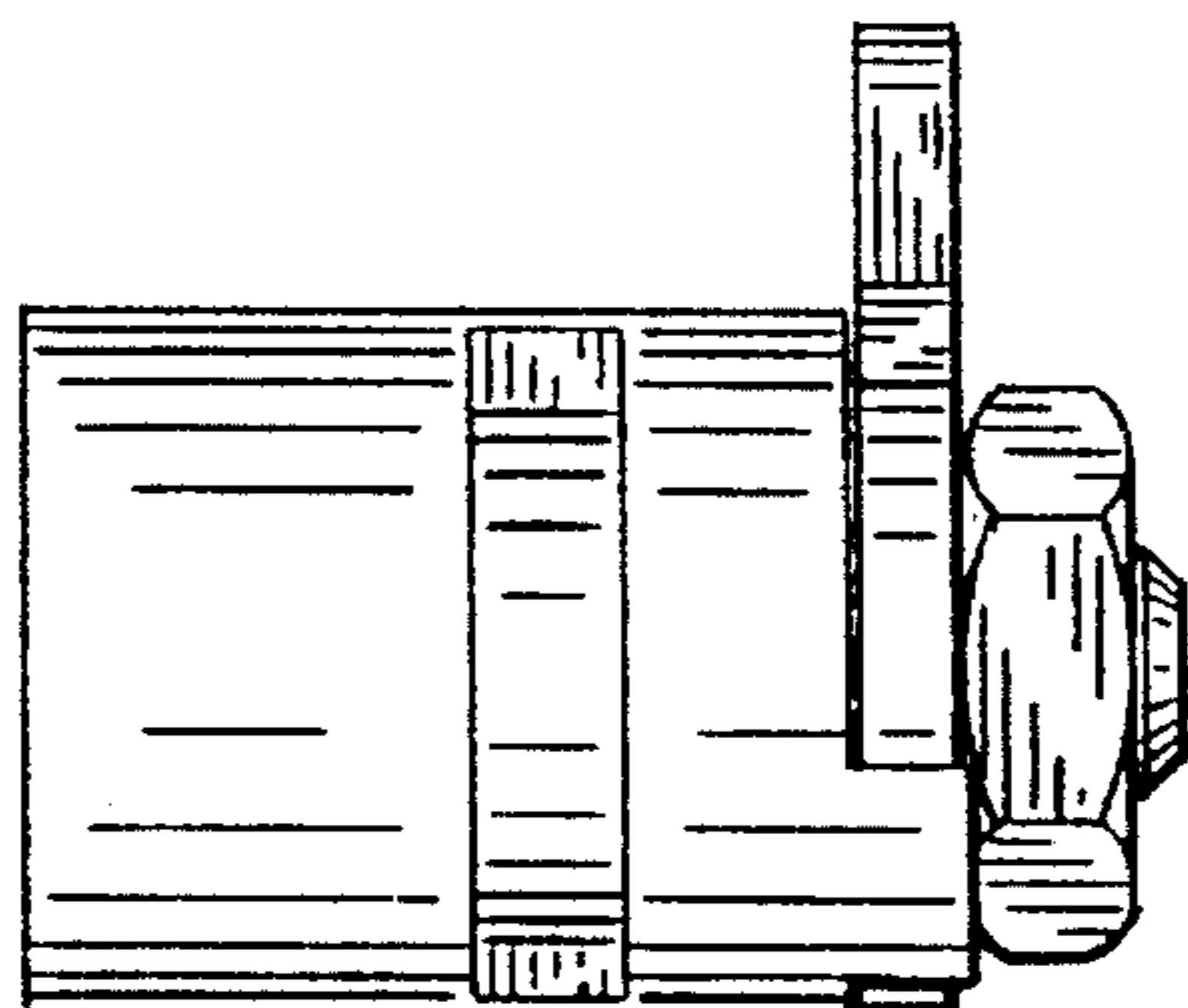
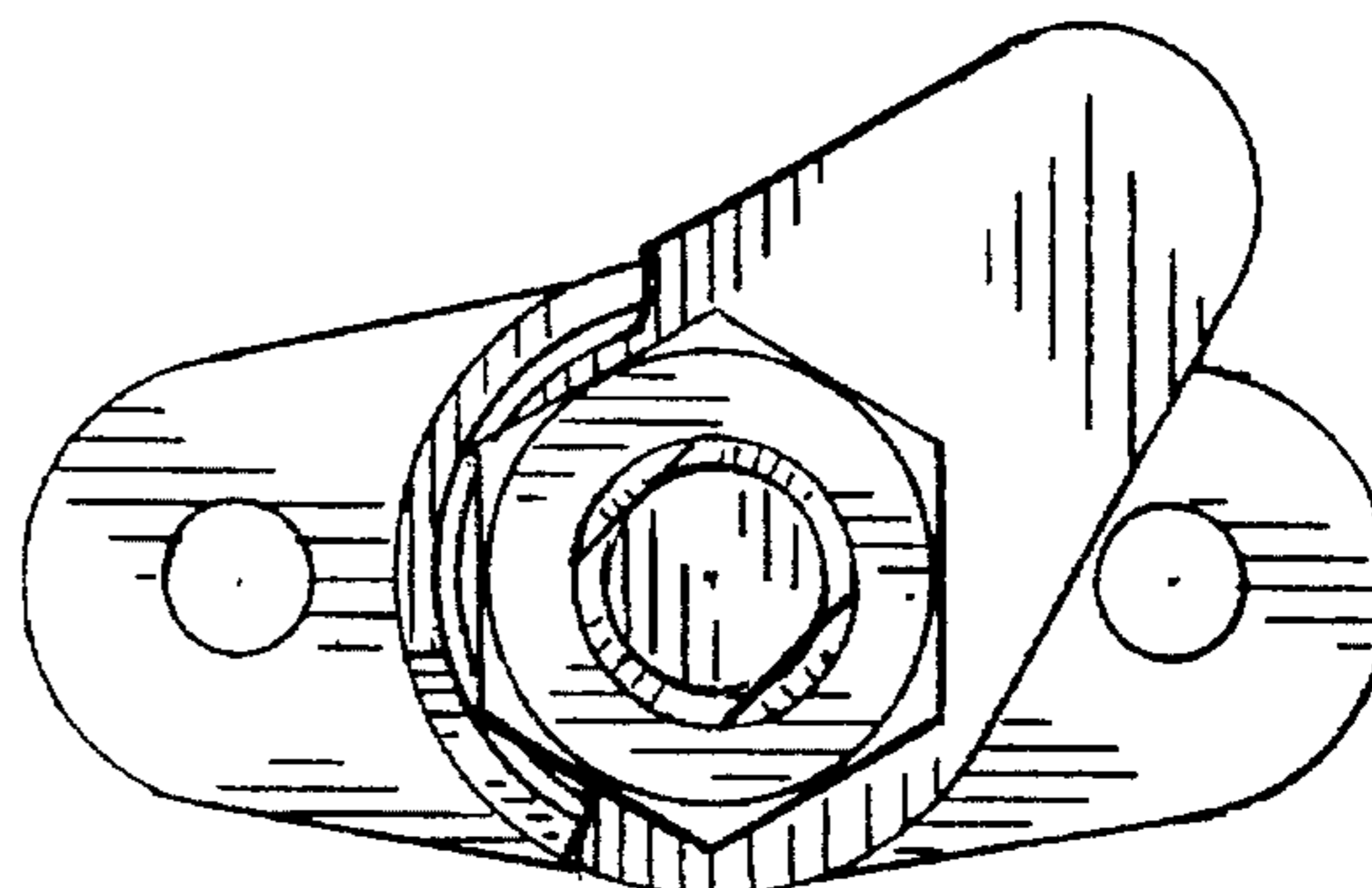


FIG. 4

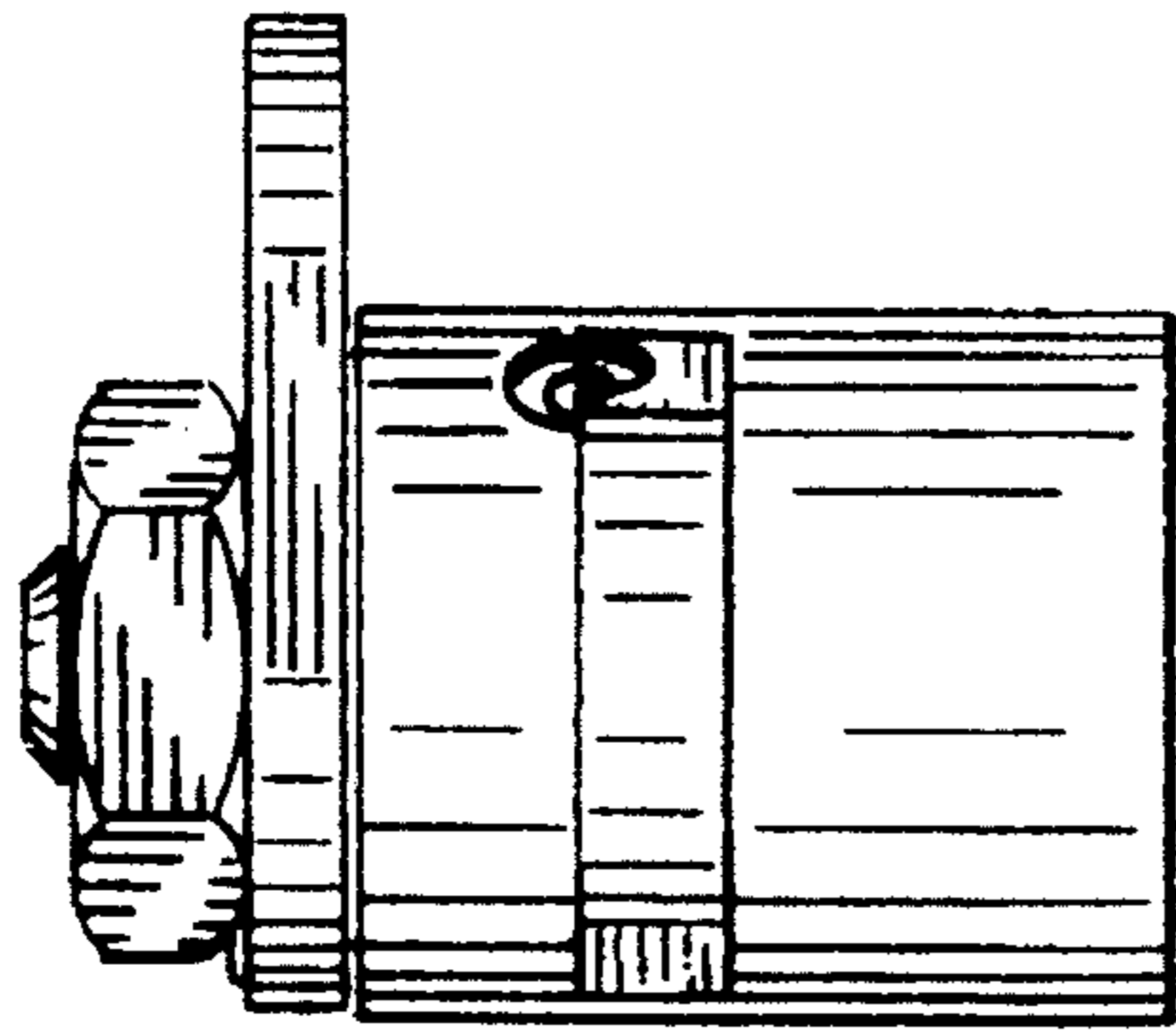


FIG. 5

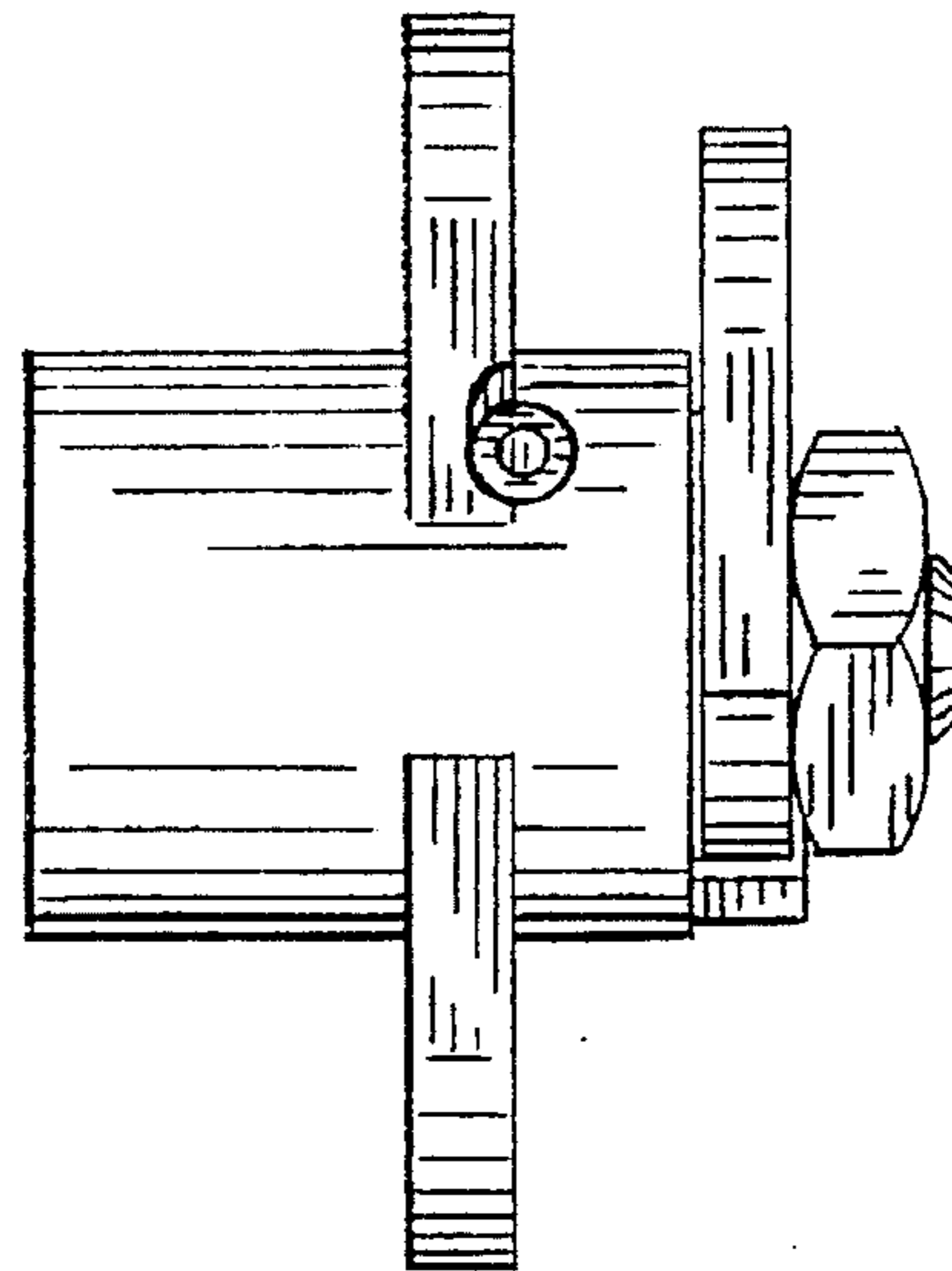


FIG. 6

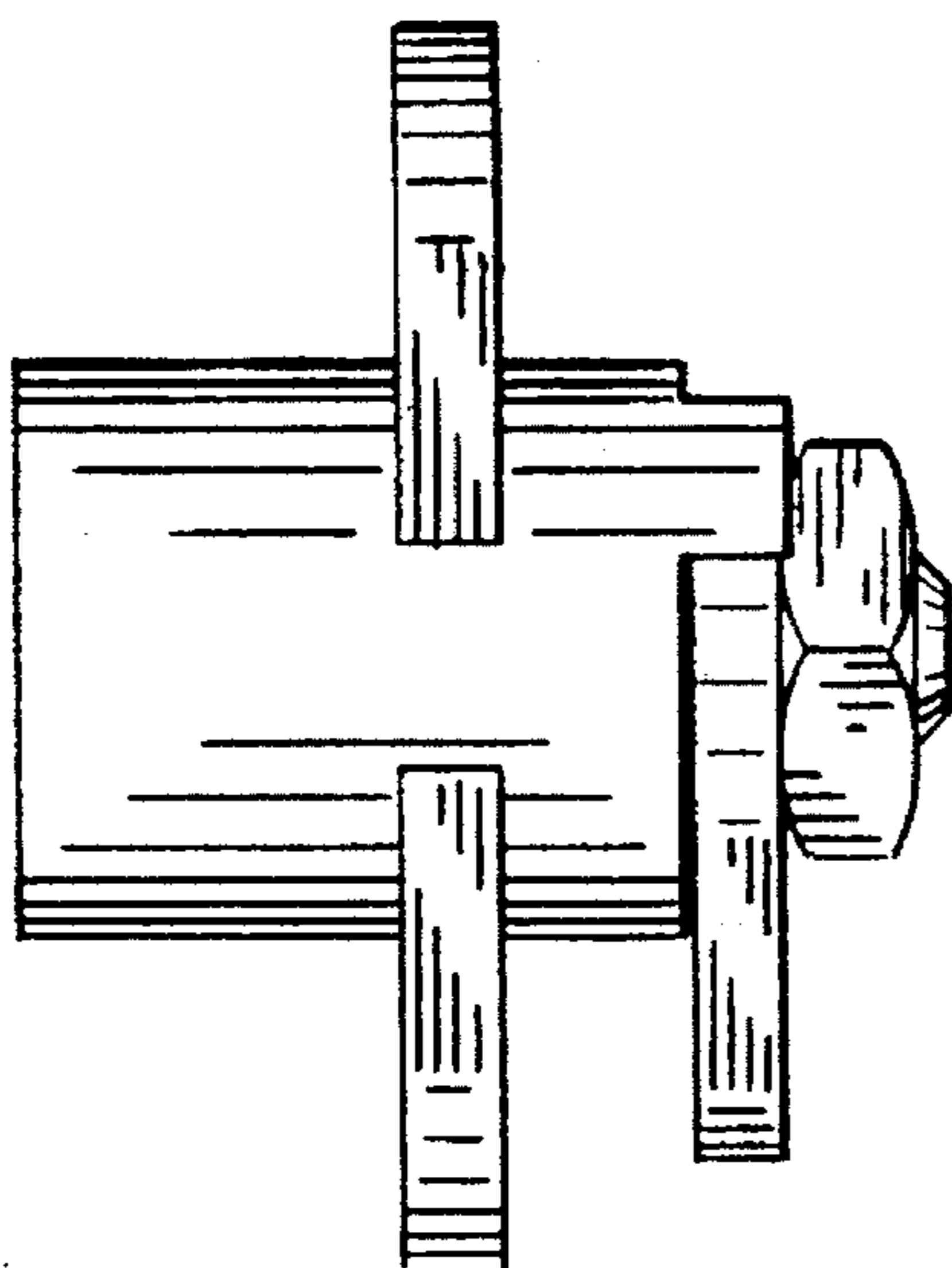


FIG. 7