



US00D364546S

United States Patent [19]

[11] Patent Number: **Des. 364,546**

Tieffel et al.

[45] Date of Patent: ****Nov. 28, 1995**

[54] **TILTABLE MIXING BOWL SUPPORT**

5,169,023 12/1992 Heiberg .
5,172,826 12/1992 Celaya .
5,203,836 4/1993 Brazis .

[76] Inventors: **Belinda J. Tieffel; Dennis Quast**, both of 201 W. Poplar, Effingham, Ill. 62401

Primary Examiner—Alan P. Douglas
Assistant Examiner—Robert M. Spear
Attorney, Agent, or Firm—Terry M. Gernstein

[**] Term: **14 Years**

[21] Appl. No.: **29,814**

[57] **CLAIM**

[22] Filed: **Oct. 3, 1994**

The ornamental design for a tiltable mixing bowl support, as shown and described.

[52] U.S. Cl. **D8/71; 248/154**

[58] Field of Search D7/388, 403, 323,
D7/335-336, 387, 412; D8/71, 396; D15/140-141;
248/121, 154, 510

DESCRIPTION

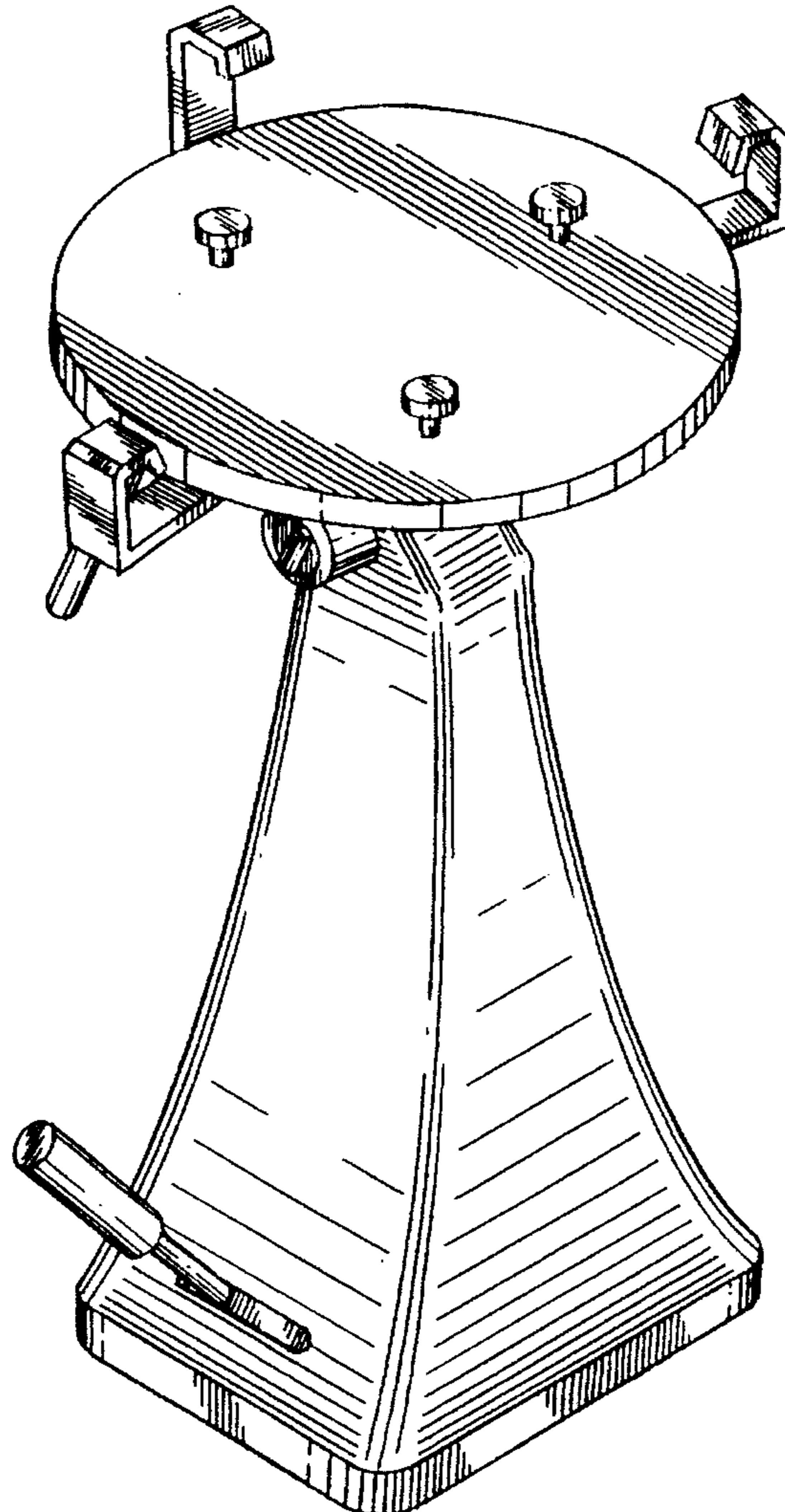
[56] **References Cited**

U.S. PATENT DOCUMENTS

D. 33,971	1/1901	Jacobsen	D15/141
D. 57,688	4/1921	Lukaszewska	D7/403
D. 89,970	5/1933	Murasco	D7/412
D. 175,477	8/1955	Palma, Jr.	D7/412
D. 256,319	8/1980	Ernest et al.	D7/412
D. 279,858	7/1985	Janssens	D7/412
3,409,060	11/1968	La Mere	D7/412 X

FIG. 1 is a front, top and side perspective view of the tiltable mixing bowl support showing our new design;
FIG. 2 is a front elevational view thereof;
FIG. 3 is a rear elevational view thereof;
FIG. 4 is a side elevational view thereof, the opposite side being unadorned and similar to the side shown with the exception of the lever and slot;
FIG. 5 is a top plan view thereof; and,
FIG. 6 is a bottom plan view thereof.

1 Claim, 4 Drawing Sheets



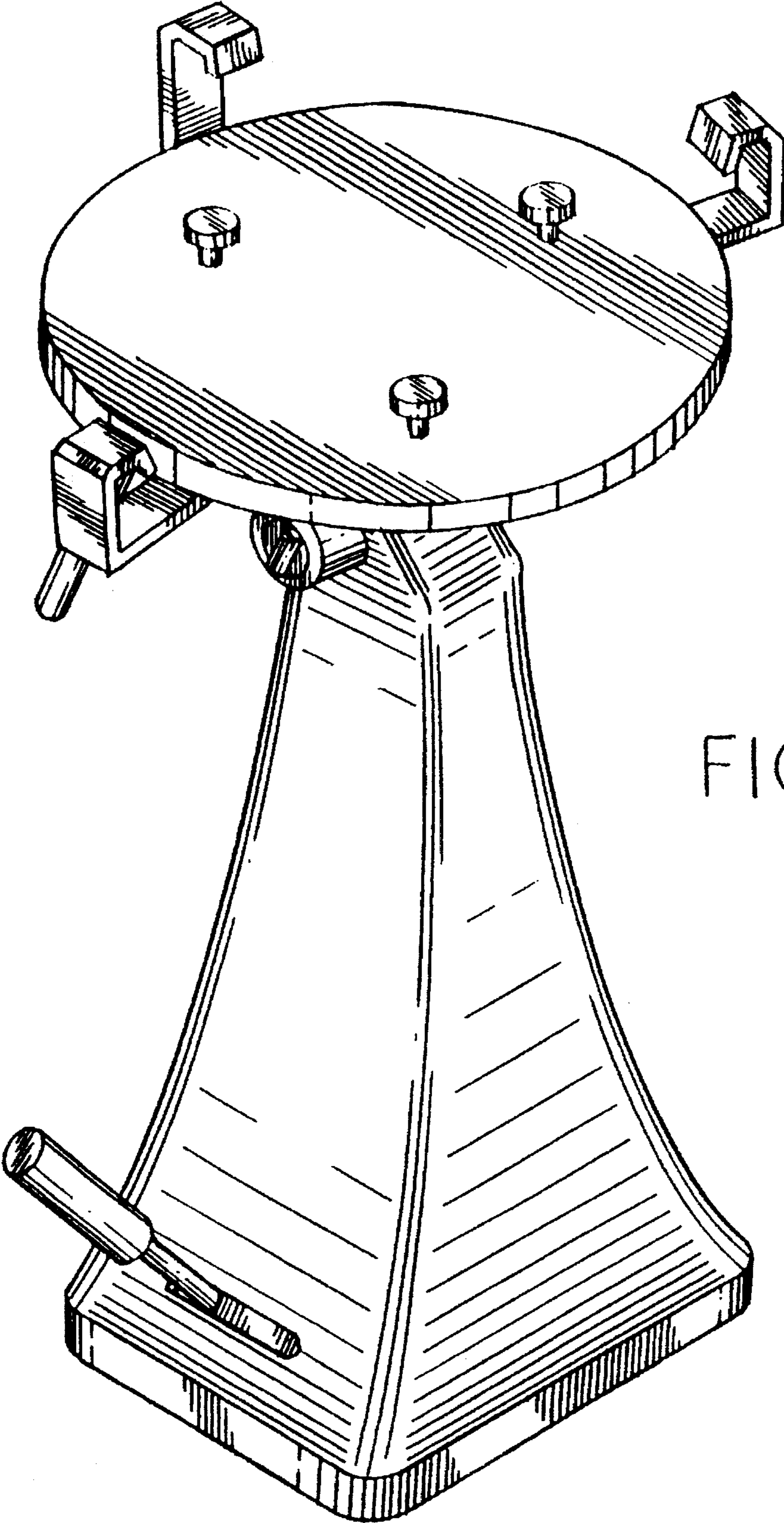


FIG. 1.

FIG. 4.

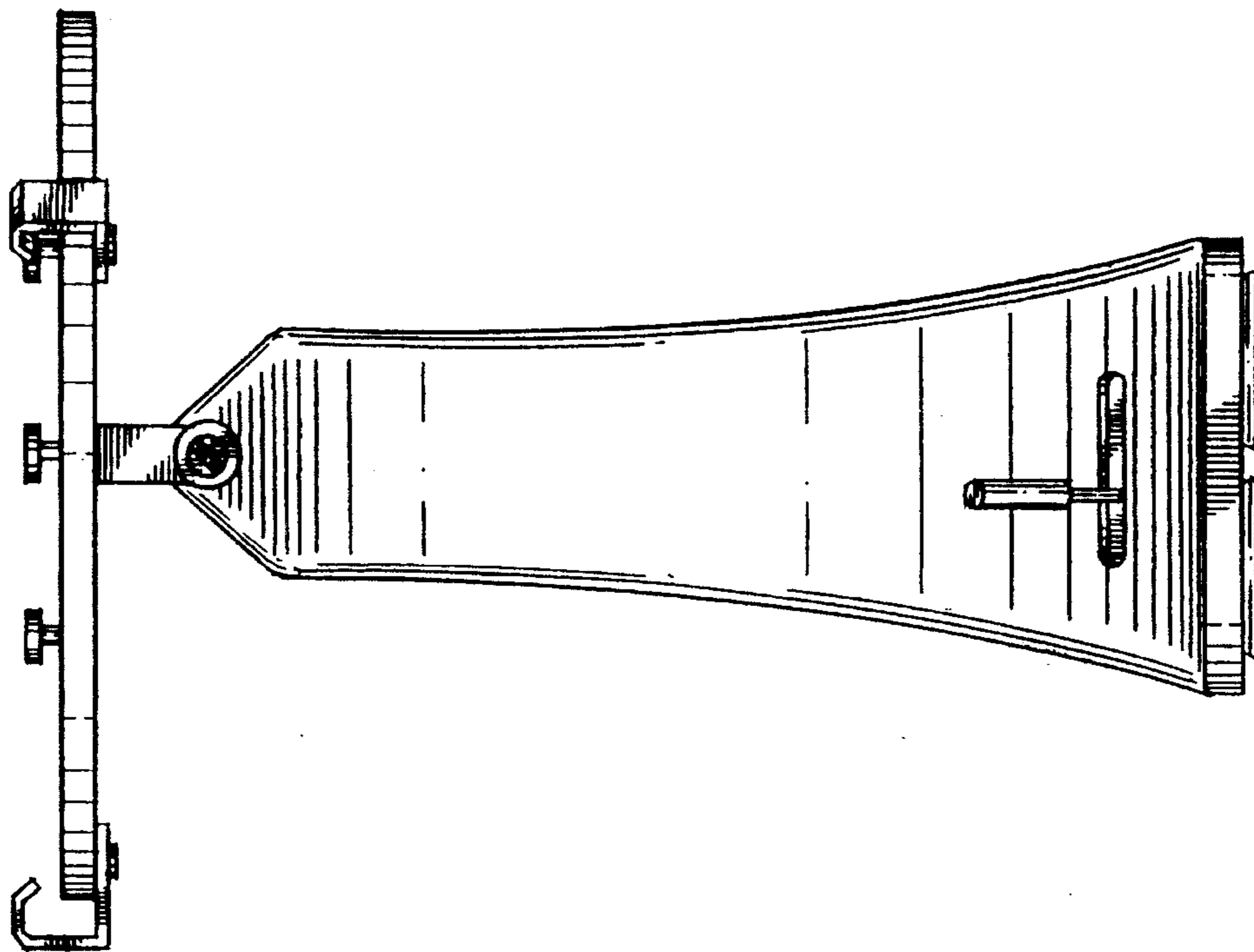


FIG. 2.

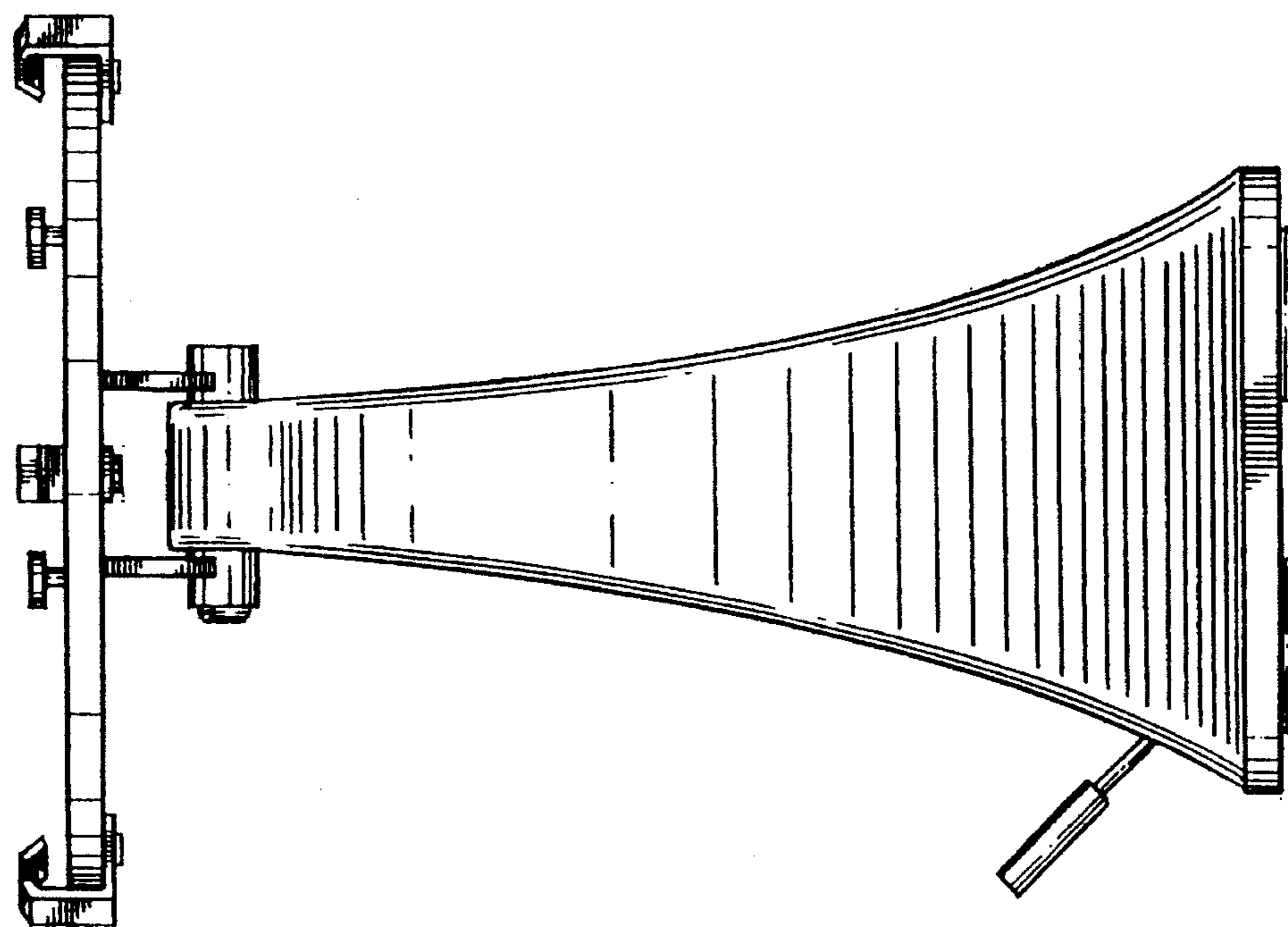


FIG. 3

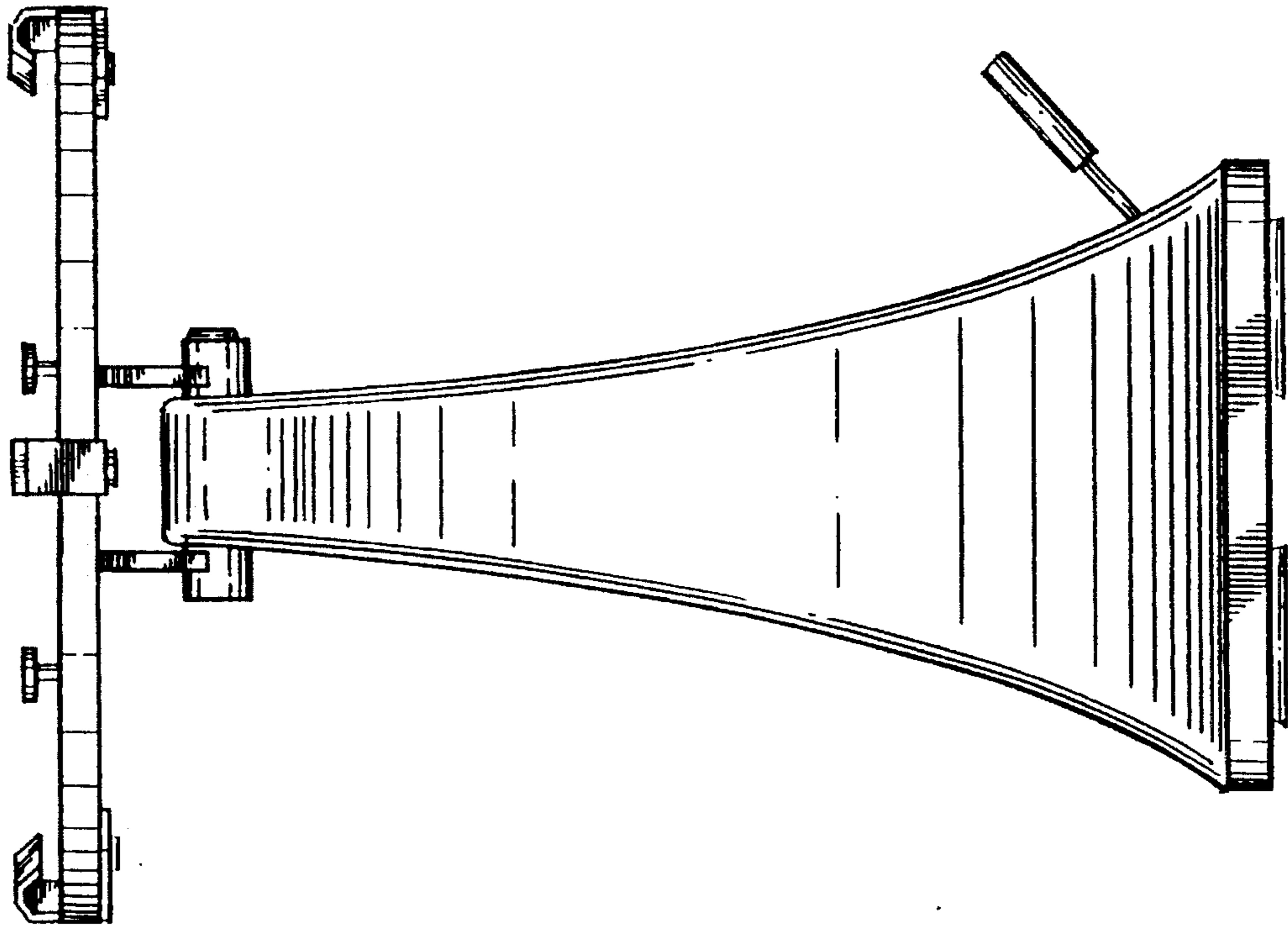


FIG. 5.

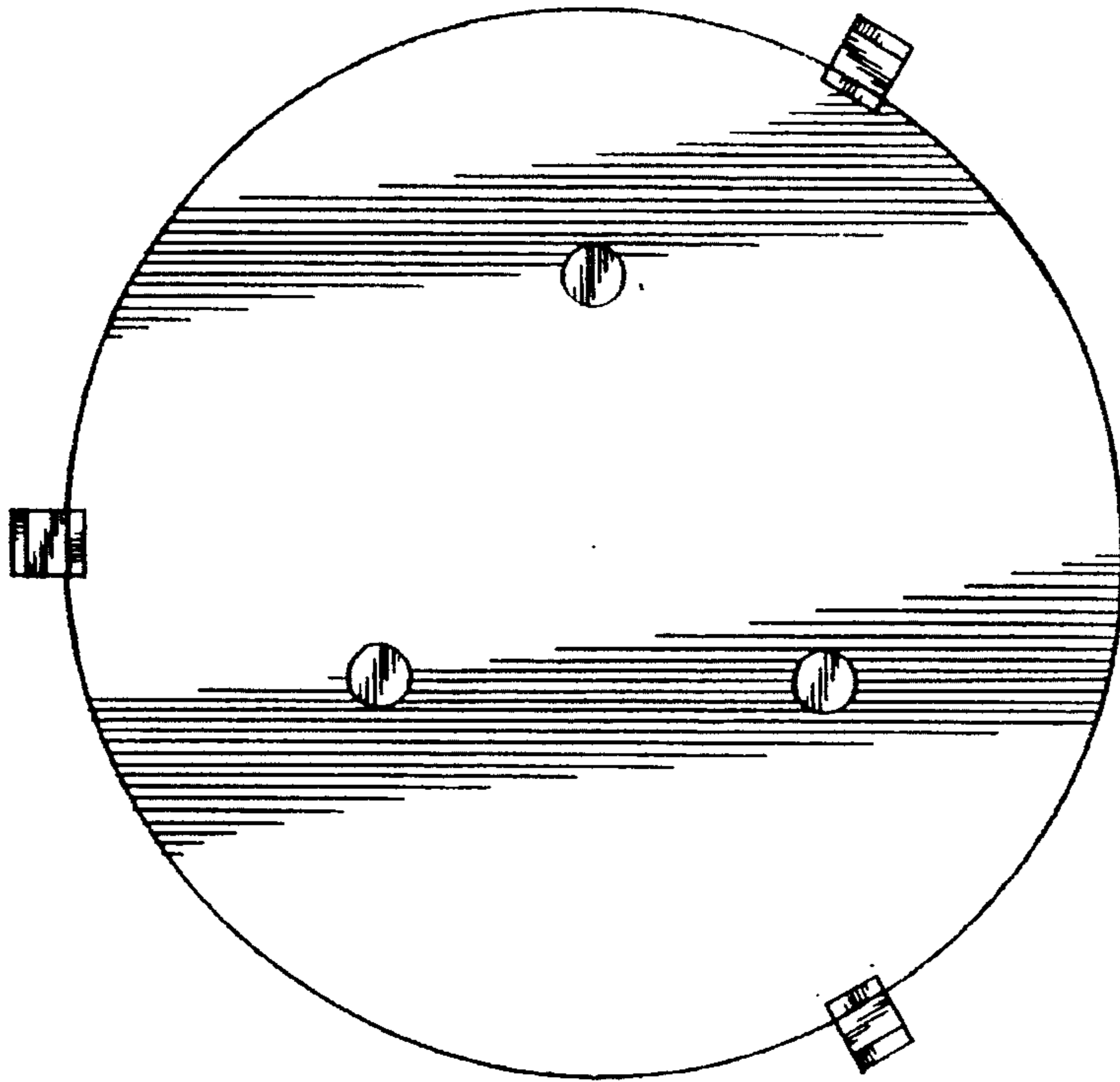


FIG. 6.

