



US00D364544S

# United States Patent [19]

[11] Patent Number: **Des. 364,544**

Izumisawa

[45] Date of Patent: **\*\*\* Nov. 28, 1995**

[54] **MINIATURE SANDER WITH TWO FINGER THROTTLE**

[75] Inventor: **Nobuyuki Izumisawa**, Tokyo, Japan

[73] Assignee: **Shinano, Inc**, Saitama, Japan

[\*] Notice: The portion of the term of this patent subsequent to May 16, 2009, has been disclaimed.

[\*\*] Term: **14 Years**

[21] Appl. No.: **24,269**

[22] Filed: **Jun. 10, 1994**

### Related U.S. Application Data

[63] Continuation-in-part of Ser. No. 20,523, Mar. 28, 1994, Pat. No. Des. 357,849, which is a continuation-in-part of Ser. No. 19,291, Feb. 25, 1994, Pat. No. Des. 358,314.

[52] **U.S. Cl.** ..... **D8/62; D8/68**

[58] **Field of Search** ..... **D8/61, 62, 68; 51/170, 170 T, 170 R, 170 TC, 170 EB, 170 MT**

### References Cited

#### U.S. PATENT DOCUMENTS

D. 325,861	5/1992	Saito et al. ....	D8/68
D. 327,620	7/1992	Fisher .....	D8/68
D. 330,151	10/1992	Fisher .....	D8/62
D. 347,087	5/1994	Griffin .....	D8/62
D. 357,849	5/1995	Izumisawa .....	D8/62
D. 358,314	5/1995	Izumisawa .....	D8/62

#### OTHER PUBLICATIONS

Tool Crib of the North Catalog, dated 1991-1992 Impact Wrench Model #9065.

Chicago Pneumatic Tool Company, "Chicago Pneumatic; Automotive Air Tools", pp. 2, 32 and 44, published Mar., 1990.

Dynabrade, Inc., "Automotive Finishing Systems Catalog",

p. 10, published 1992.

Florida Pneumatic Manufacturing Company, "Air Tools", pp. 5-7, 10, and 17.

Sioux Tolls, Inc., "Automotive Professional Tools and Equipment", pp. 11 and 33.

Snap-on Tools Corporation, "Snap-on Worldwide", pp. 186 and 193.

Sunex International, "Sunex Automotive Tools & Equipment", pp. 13 and 17, published 1989.

Ingersoll Rand Co., "Automotive Power Tools", pp. 12, 13, 35, 37 and 42, published 1992.

Mac Tools, Inc., "Mac Tools Catalog", pp. 163, 168, and 175.

Florida Pneumatic Manufacturing Company, "Raider Air Tools", p. 4.

Allen Air Products Inc., "Viking Air Tools; Product Catalog", pp. 2 and 3.

Astro Pneumatic Tool Company, "Astro Power", pp. 6, 13, 14, 16, 20, 21, and 27.

Buffalo Tool, "Guardian Power; Tools and Accessories Catalog", 1992, pp. 8 and 9.

*Primary Examiner*—Martie Thompson

*Attorney, Agent, or Firm*—Greer, Burns & Crain, Ltd.

### [57] CLAIM

The ornamental design for a miniature sander with two finger throttle, as shown and described.

### DESCRIPTION

FIG. 1 is a perspective view;  
FIG. 2 is a left side view thereof;  
FIG. 3 is a front view;  
FIG. 4 is a rear view;  
FIG. 5 is a top view; and,  
FIG. 6 is a bottom view.

The right side view is the same as a mirror image of the left side view shown in FIG. 2. The broken lines showing the sanding tool are for illustrative purposes only and form no part of the claimed design.

**1 Claim, 2 Drawing Sheets**

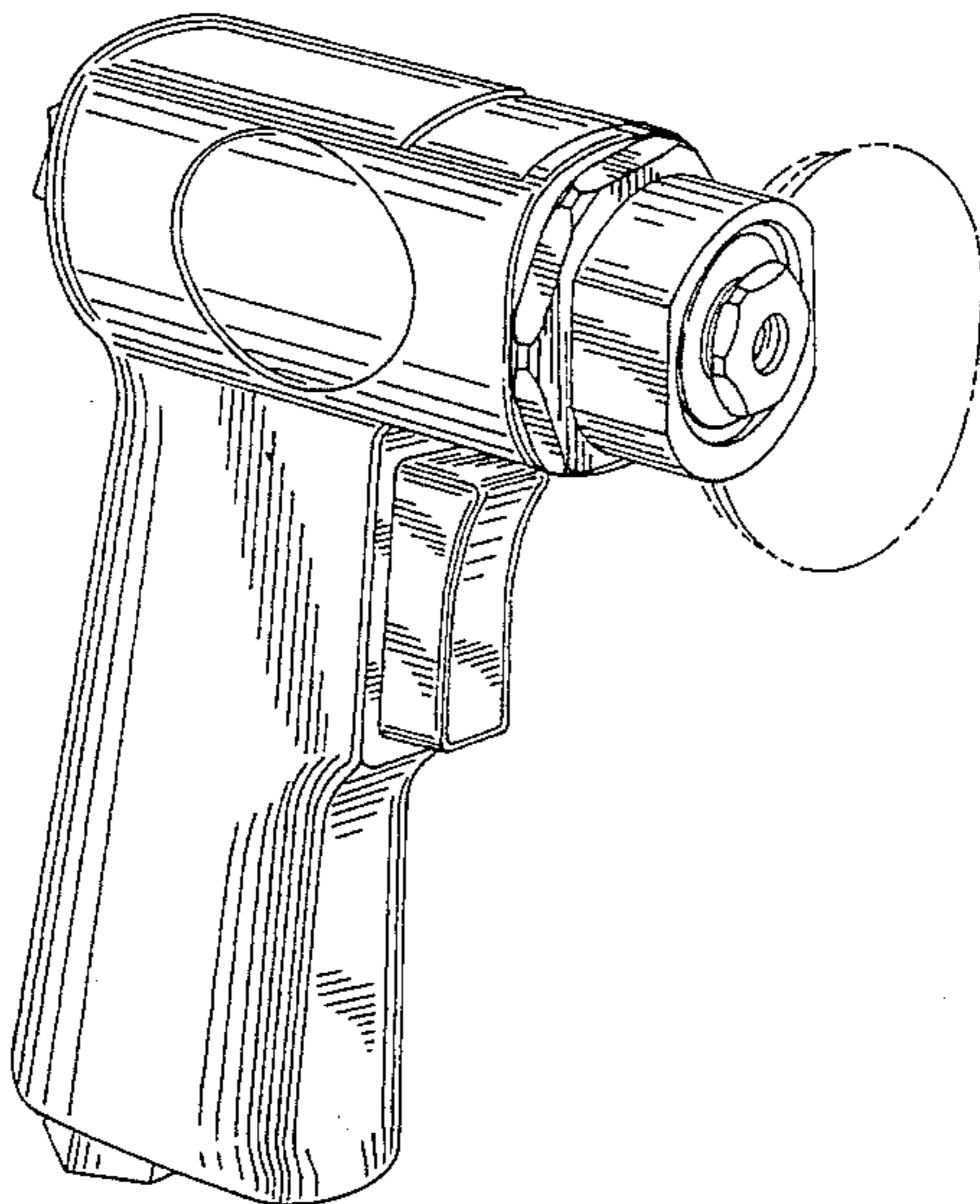


FIG. 2

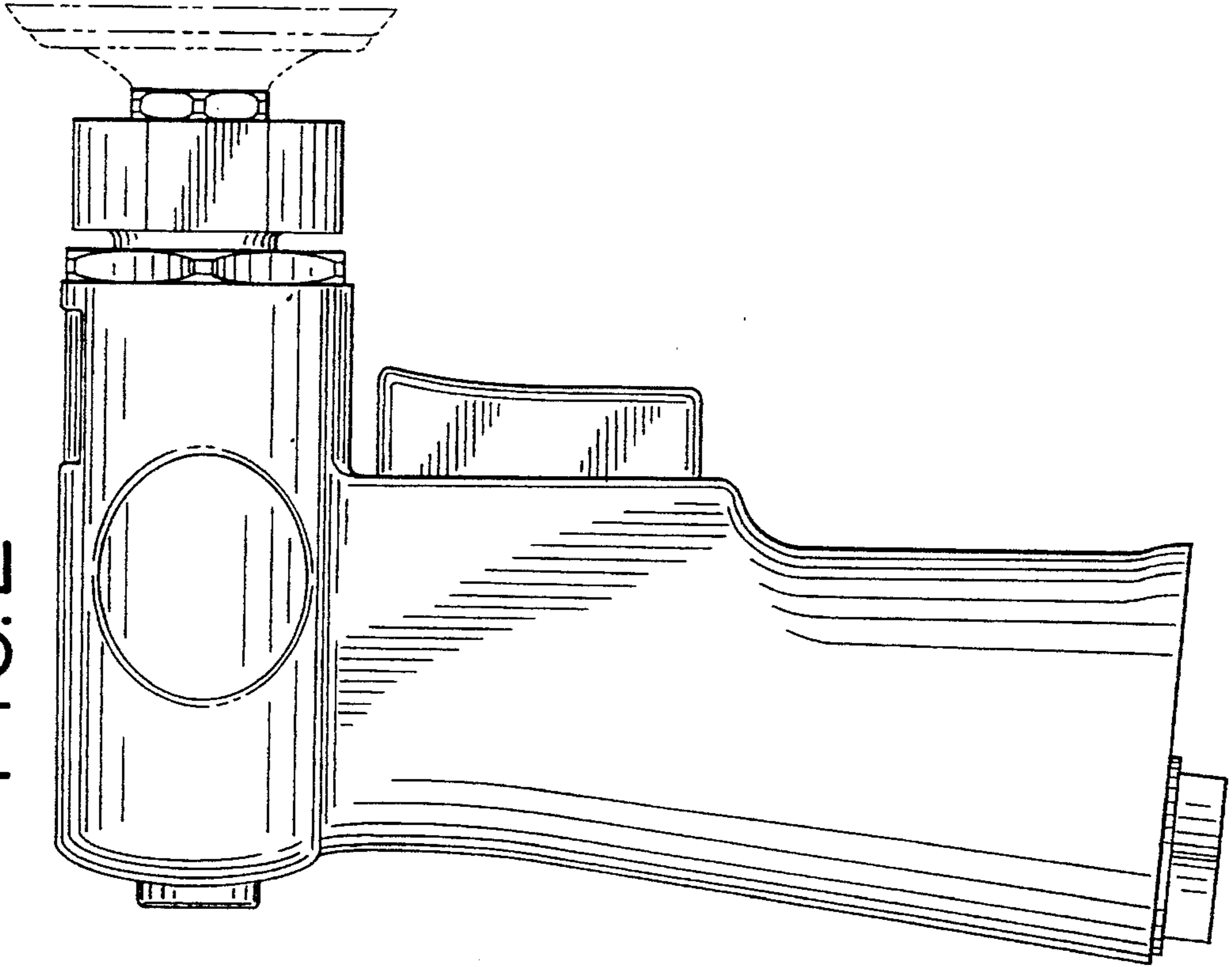


FIG. 1

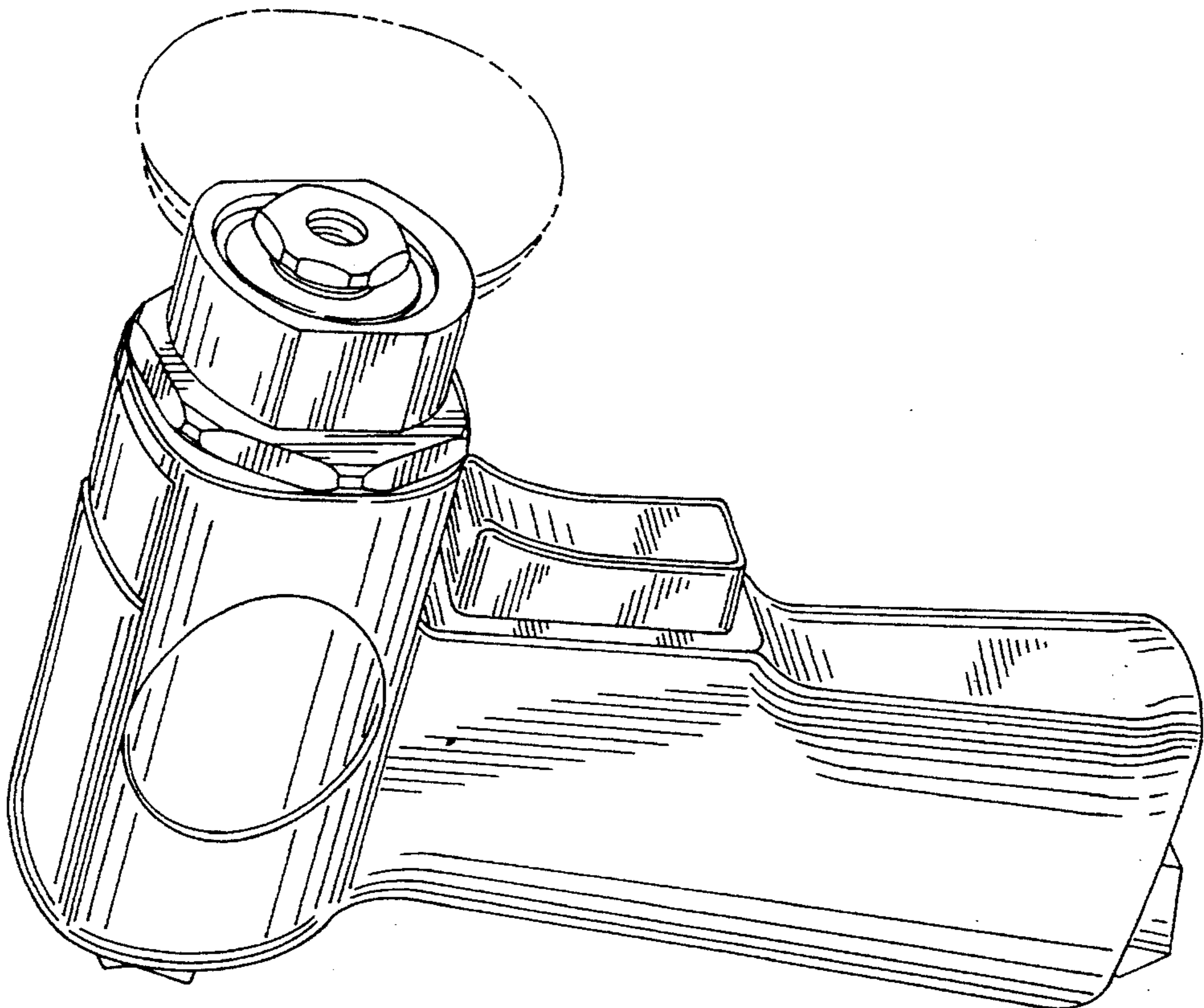




FIG. 3

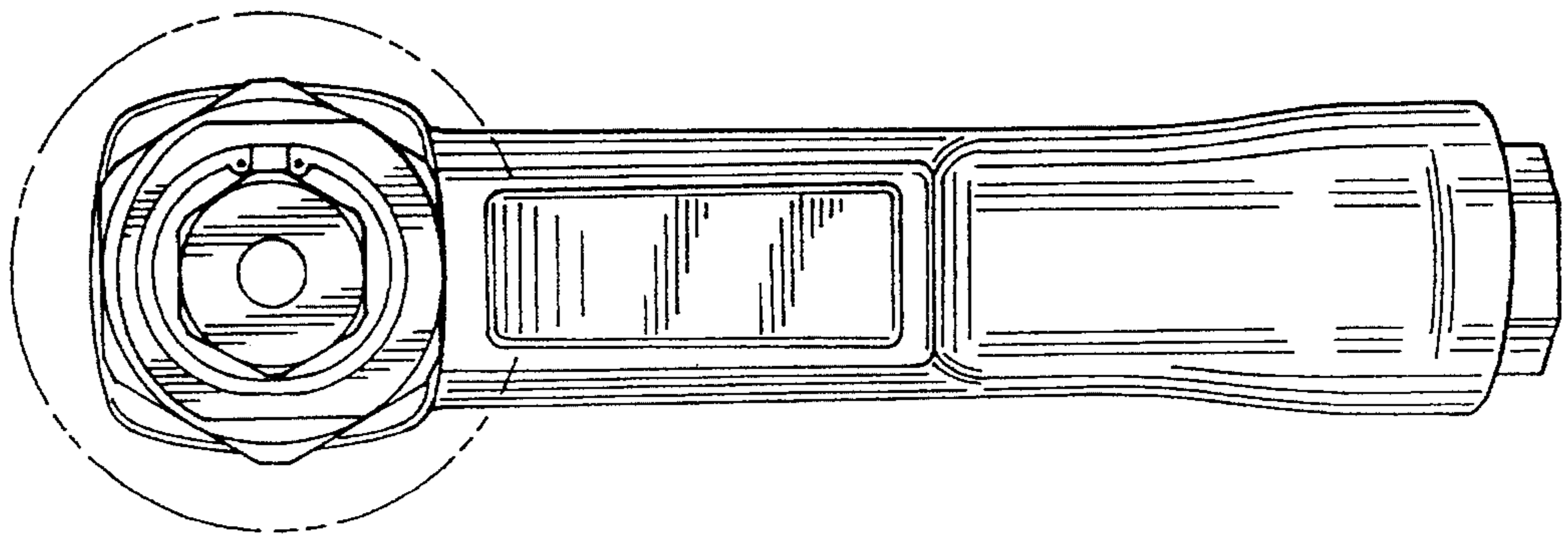


FIG. 4



FIG. 5

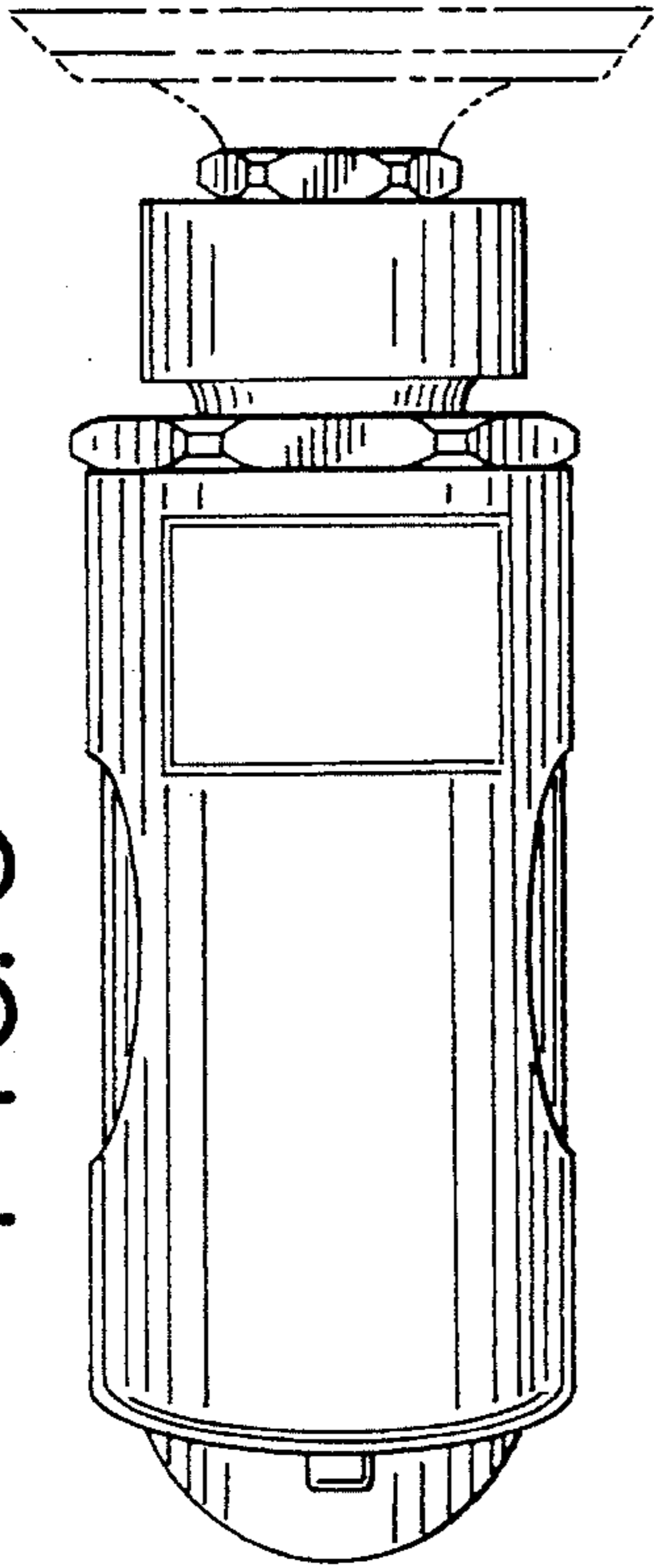


FIG. 6

