



US00D364542S

United States Patent [19]
Pollard

[11] **Patent Number: Des. 364,542**

[45] **Date of Patent: **Nov. 28, 1995**

[54] **UNIVERSAL CURB STOP KEY**
[76] Inventor: **Jerry K. Pollard**, 15 Surrey Trail,
Rome, Ga. 30161
[**] Term: **14 Years**
[21] Appl. No.: **21,921**
[22] Filed: **Apr. 26, 1994**
[52] U.S. Cl. **D8/14; D8/21**
[58] Field of Search **D8/14, 21, 27;**
81/124.2, 124.7, 34, 176.1, 176.15, 176.2,
488; 251/291

3,658,086 4/1972 Hart 251/291 X
4,542,666 9/1985 White 81/176.1
4,836,065 6/1989 Setliff 81/124.2

FOREIGN PATENT DOCUMENTS

1186365 8/1959 France 81/124.7
2183188 6/1987 United Kingdom 81/124.7

Primary Examiner—Ted Shooman
Assistant Examiner—Richelle Shelton
Attorney, Agent, or Firm—Hopkins & Thomas

[57] **CLAIM**

The ornamental design of the universal curb stop key, as shown and described.

[56] **References Cited**

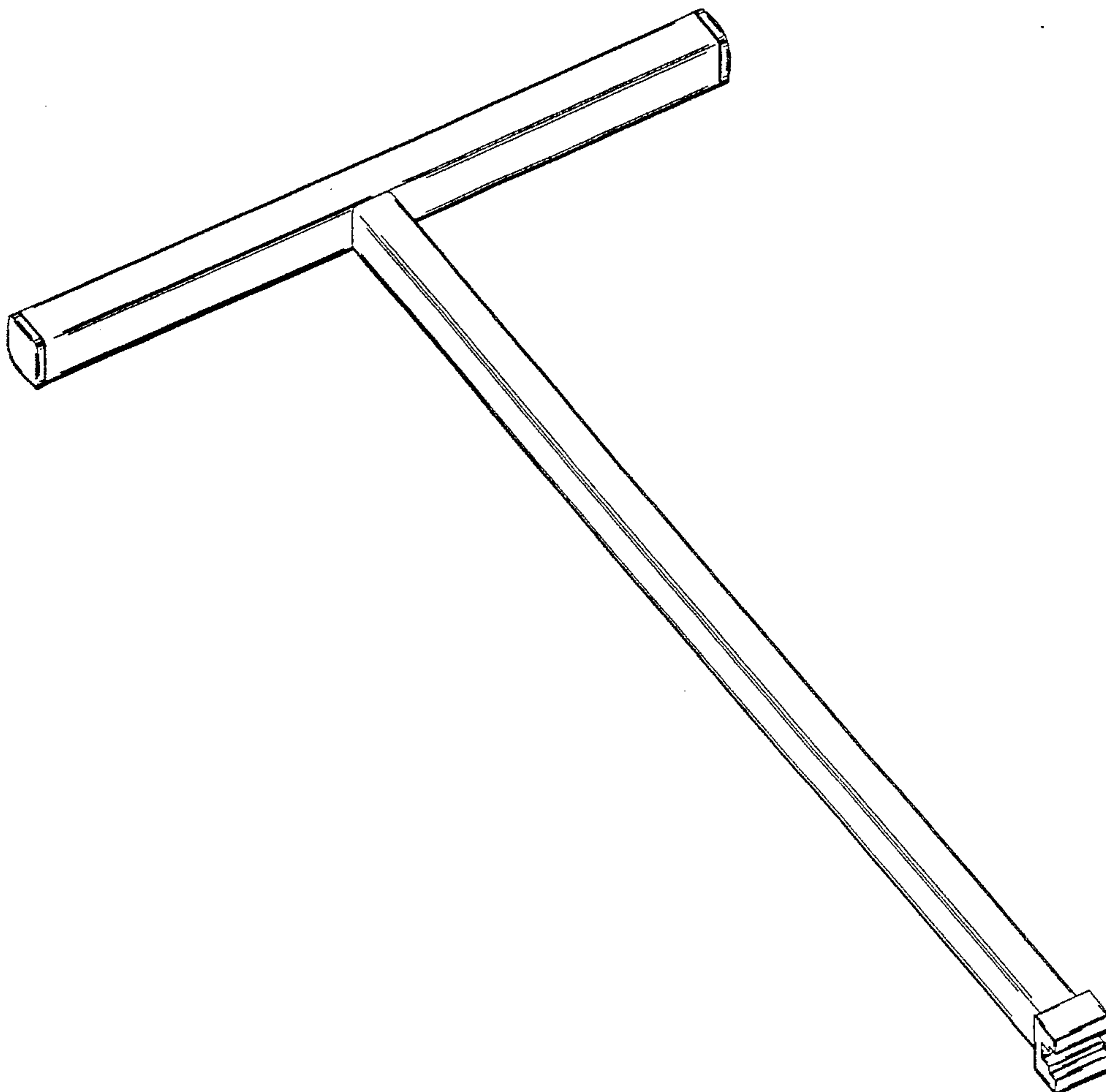
U.S. PATENT DOCUMENTS

D. 329,969 10/1992 Kemp D8/21
D. 335,616 5/1993 Schafer D8/21
342,824 6/1886 Clark .
563,848 7/1896 Dunham .
1,188,305 6/1916 Noerteman .
1,321,776 11/1919 Stepanian 81/124.2
1,717,241 6/1929 Moritsky .
2,417,225 3/1947 West et al. 145/50
3,151,512 10/1964 Charczenko 81/90

DESCRIPTION

FIG. 1 is a front left side perspective view of a universal curb stop key showing my new design;
FIG. 2 is a top plan view thereof;
FIG. 3 is an bottom plan view thereof;
FIG. 4 is a rear elevation view thereof; and,
FIG. 5 is a right side elevation view thereof.

1 Claim, 2 Drawing Sheets



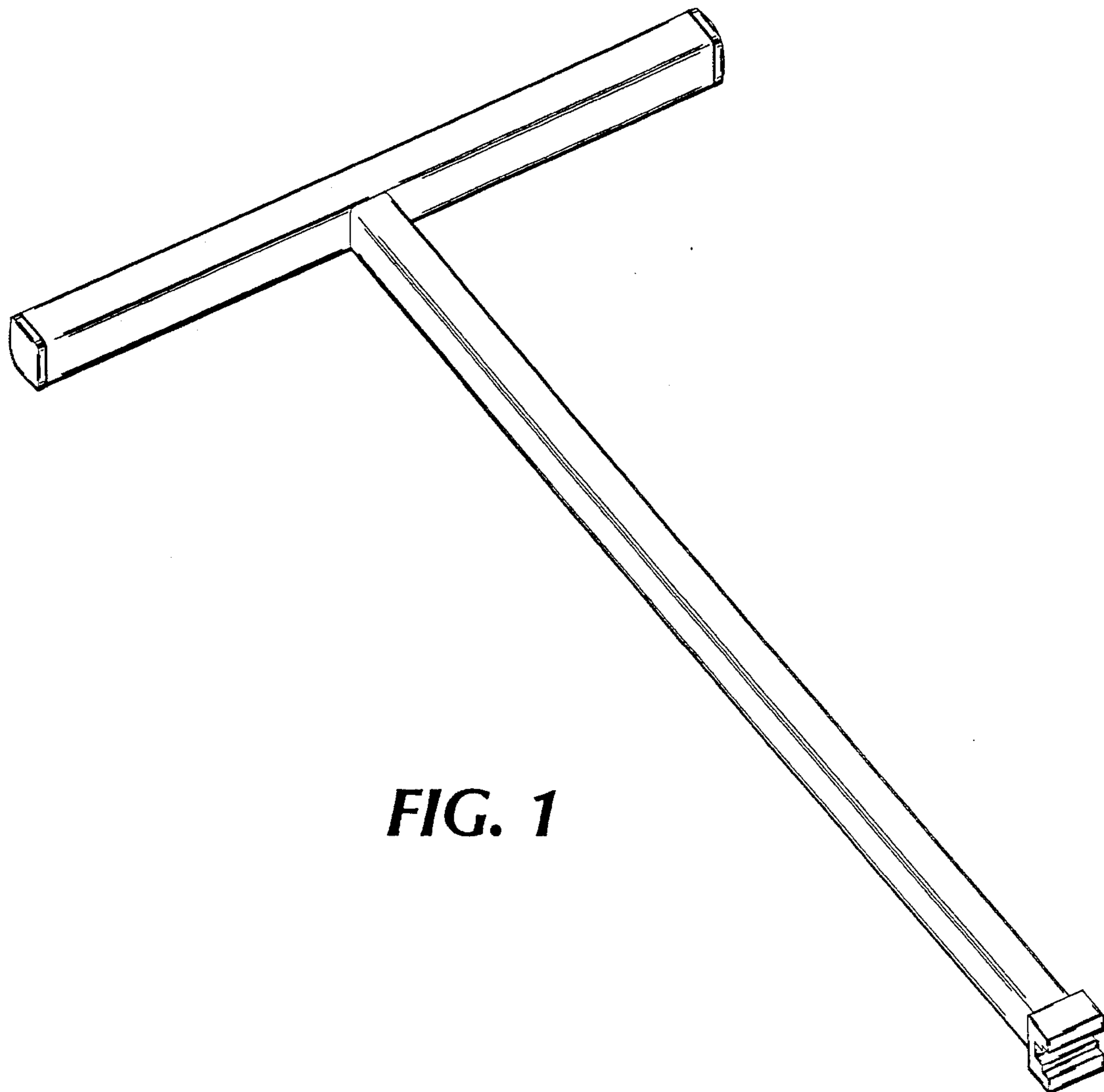


FIG. 1

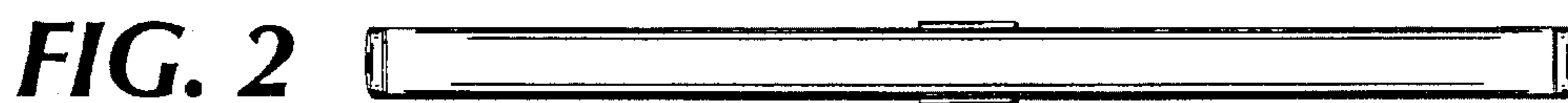


FIG. 2

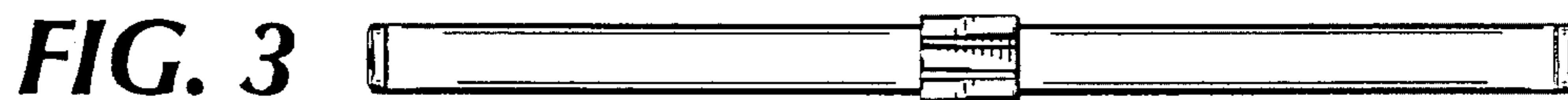


FIG. 3

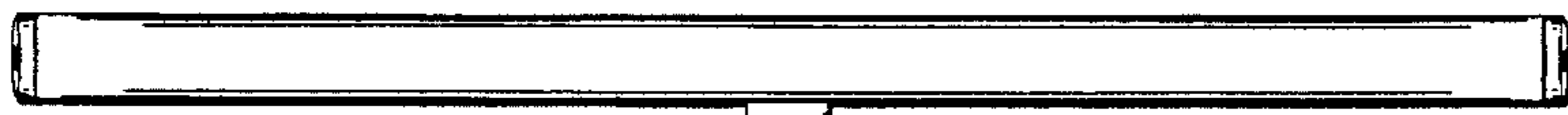


FIG. 4



FIG. 5

