



US00D364541S

United States Patent [19]

McJunkin et al.

[11] Patent Number: Des. 364,541

[45] Date of Patent: **Nov. 28, 1995

[54] HEDGE TRIMMER

[75] Inventors: **Mark A. McJunkin**, Westminster;
Daniel A. Chunn, Greenville, both of
S.C.; **James B. Watson**, Conyers, Ga.

[73] Assignee: **Ryobi Motor Products**, Easley, S.C.

[**] Term: **14 Years**

[21] Appl. No.: **34,284**

[22] Filed: **Jan. 31, 1995**

Related U.S. Application Data

[62] Division of Ser. No. 7,335, Apr. 20, 1993, Pat. No. Des.
354,891.

[52] U.S. Cl. **D8/8**

[58] Field of Search D8/8; 30/228,
30/383, 382; D15/16

[56] References Cited

U.S. PATENT DOCUMENTS

208,083	7/1867	Roselle .	
D. 285,894	9/1986	Kawakami et al.	D8/8
D. 301,961	7/1989	Narisue et al.	D8/8
305,198	12/1989	White et al. .	
D. 307,098	4/1990	Clivio	D8/8
D. 313,538	1/1991	Fushiya et al.	D8/8
D. 323,770	2/1992	Alsup et al.	D8/8
D. 323,771	2/1992	Alsup et al.	D8/8
D. 351,096	10/1994	Gierke	D8/8
D. 355,572	2/1995	Griffin	D8/8
3,711,946	1/1973	Troutman .	
3,728,793	4/1973	Makinson et al. .	
3,757,194	9/1973	Weber et al. .	

3,768,163	10/1973	Weber et al. .
3,981,078	9/1976	Alberti .
4,442,659	4/1984	Enbusk .
4,583,291	4/1986	Pilatowicz .
4,787,924	11/1988	Nagashima et al. .
4,794,696	1/1989	Apfel et al. .
4,934,052	6/1990	Nitschmann et al. .
5,029,393	7/1991	Nagashima et al. .
5,050,303	9/1991	Sinclair et al. .
5,067,243	11/1991	O'Neel .
5,150,523	9/1992	McCurry .

OTHER PUBLICATIONS

Smith and Hawken, 1988, p. 33, hedge trimmer located at bottom of page.

Black and Decker brochure, 1990-1991, p. 6, hedge trimmer found in center of page.

Primary Examiner—A. Hugo Word
Assistant Examiner—Holly Baynham
Attorney, Agent, or Firm—Brooks & Kushman

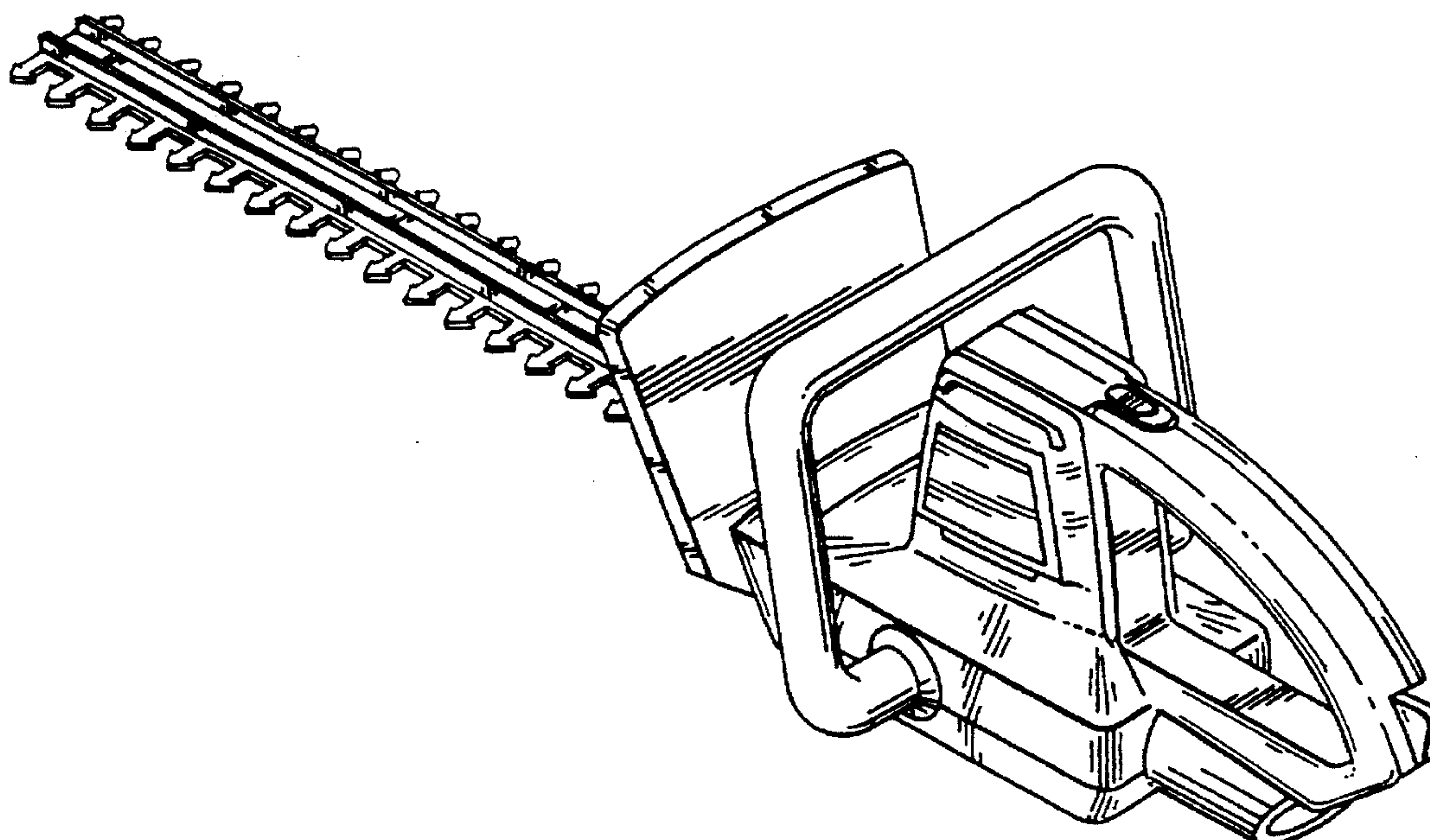
[57] CLAIM

The ornamental design of a hedge trimmer, as shown and described.

DESCRIPTION

FIG. 1 is a perspective view of a hedge trimmer showing our new design;
FIG. 2 is a front elevational view thereof;
FIG. 3 is a rear elevational view thereof;
FIG. 4 is a left side elevational view thereof;
FIG. 5 is a right side elevational view thereof;
FIG. 6 is a top plan view thereof; and,
FIG. 7 is a bottom plan view thereof.

1 Claim, 3 Drawing Sheets



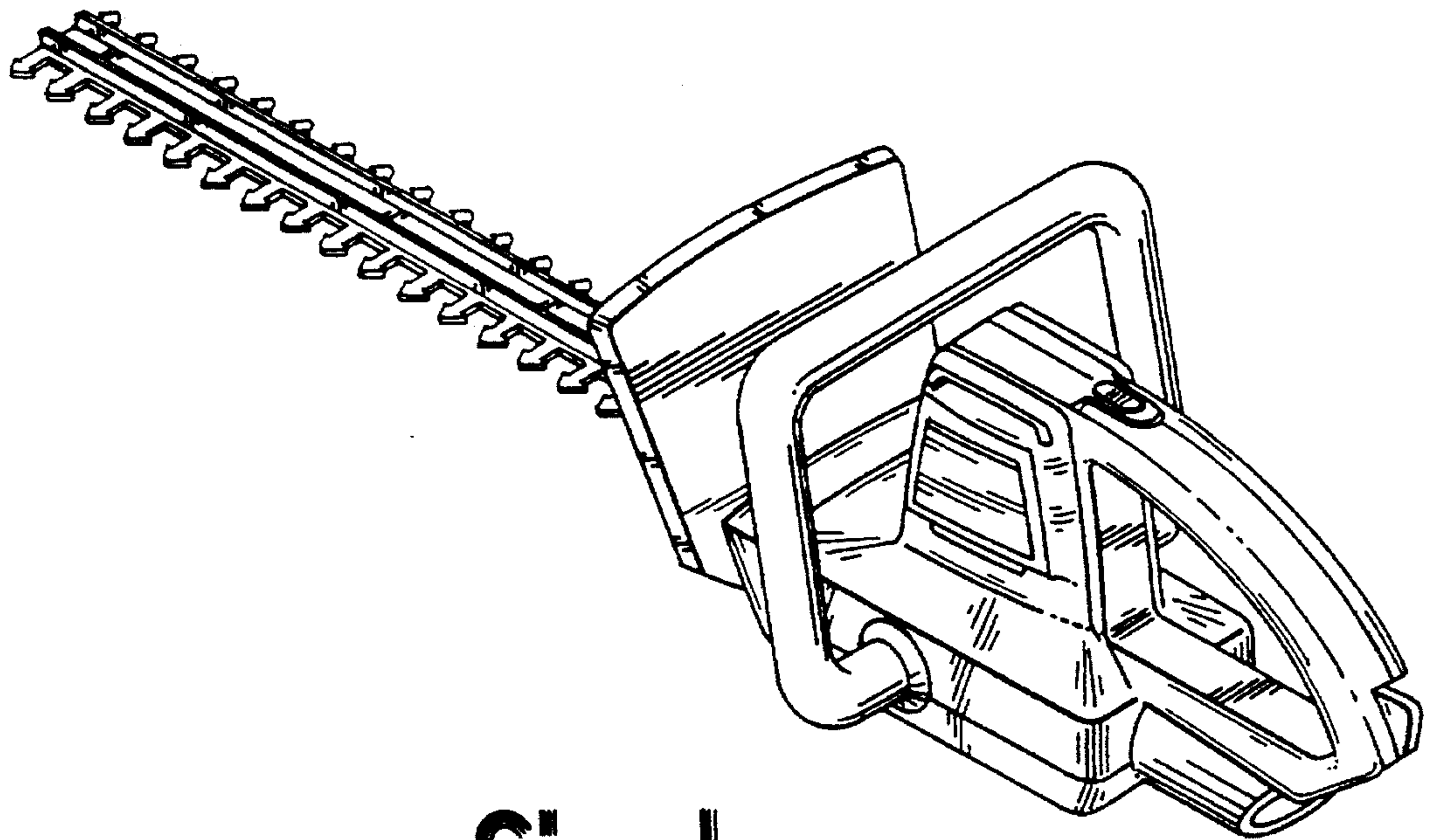


fig-1

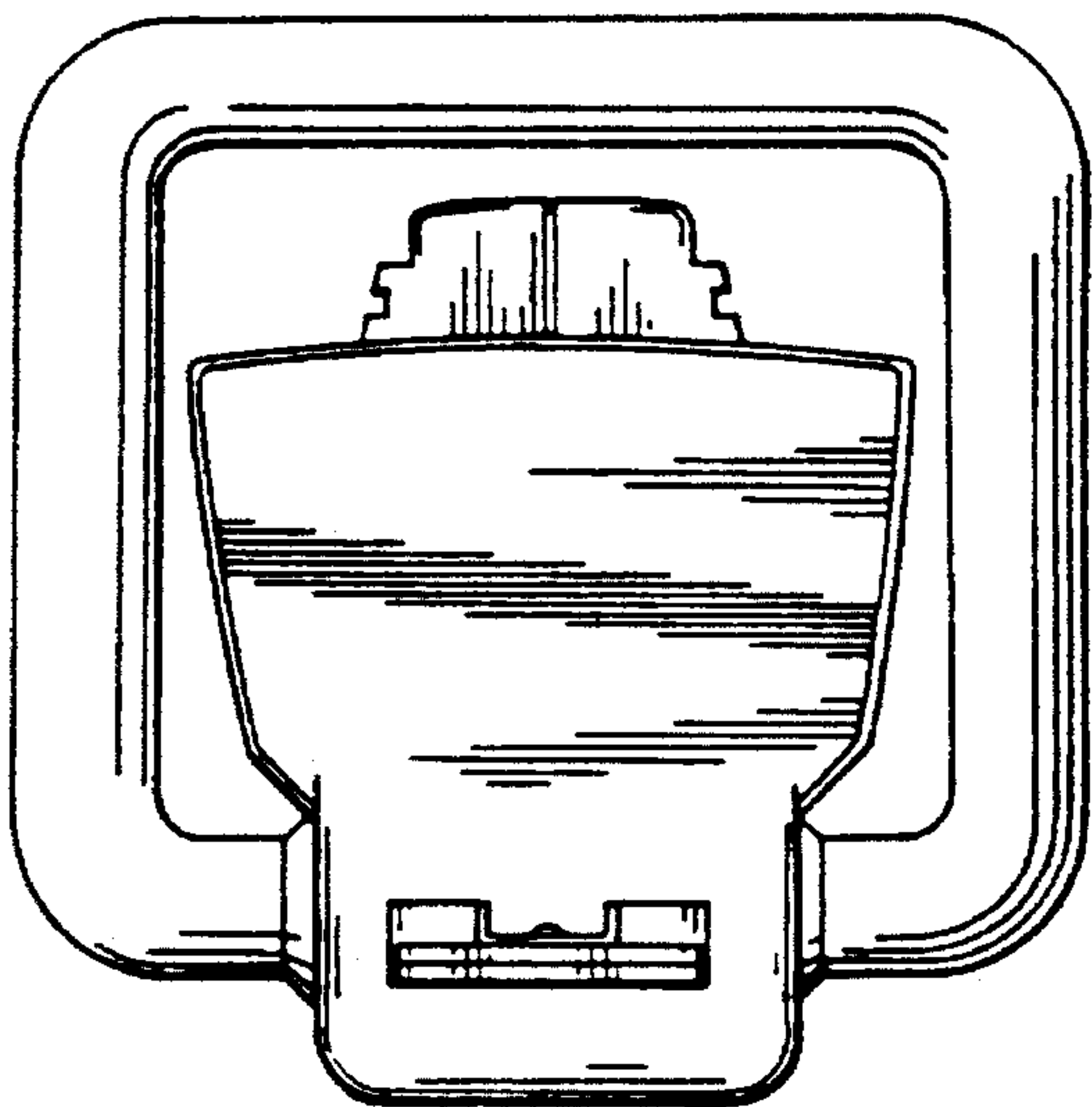


fig-2

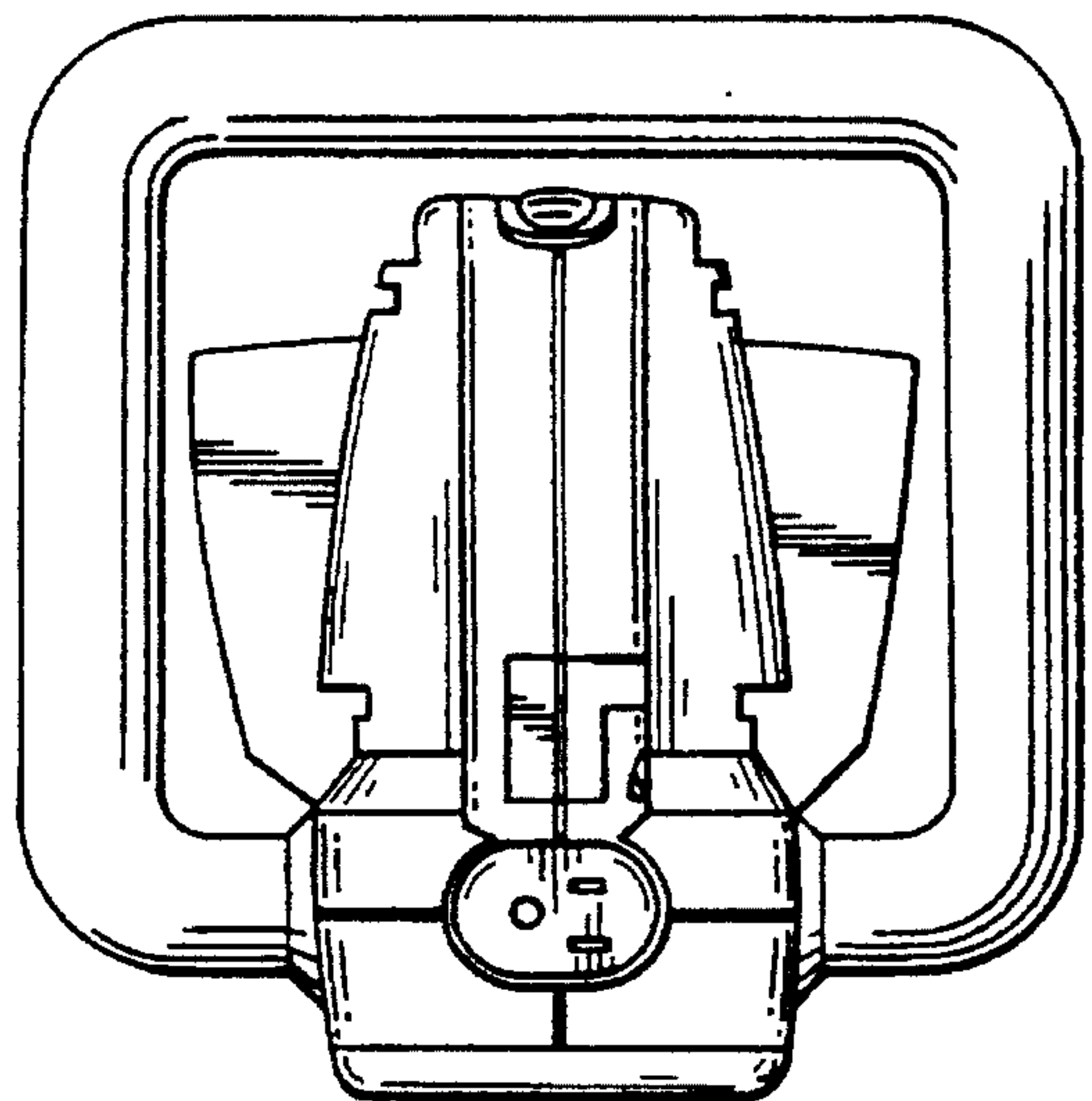


fig-3

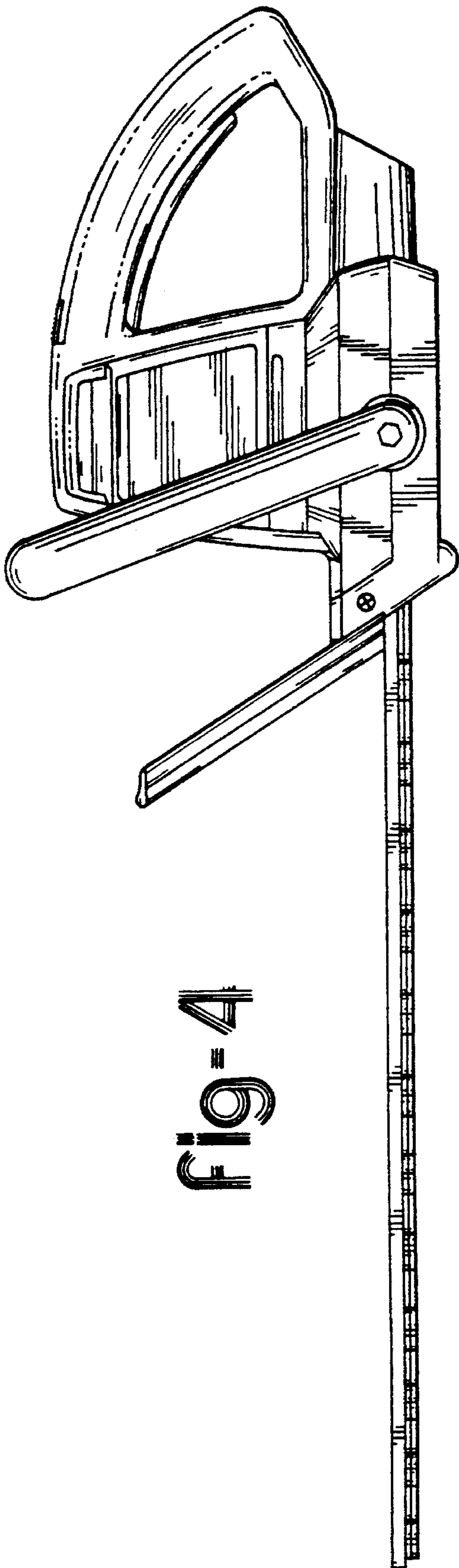


FIG-4

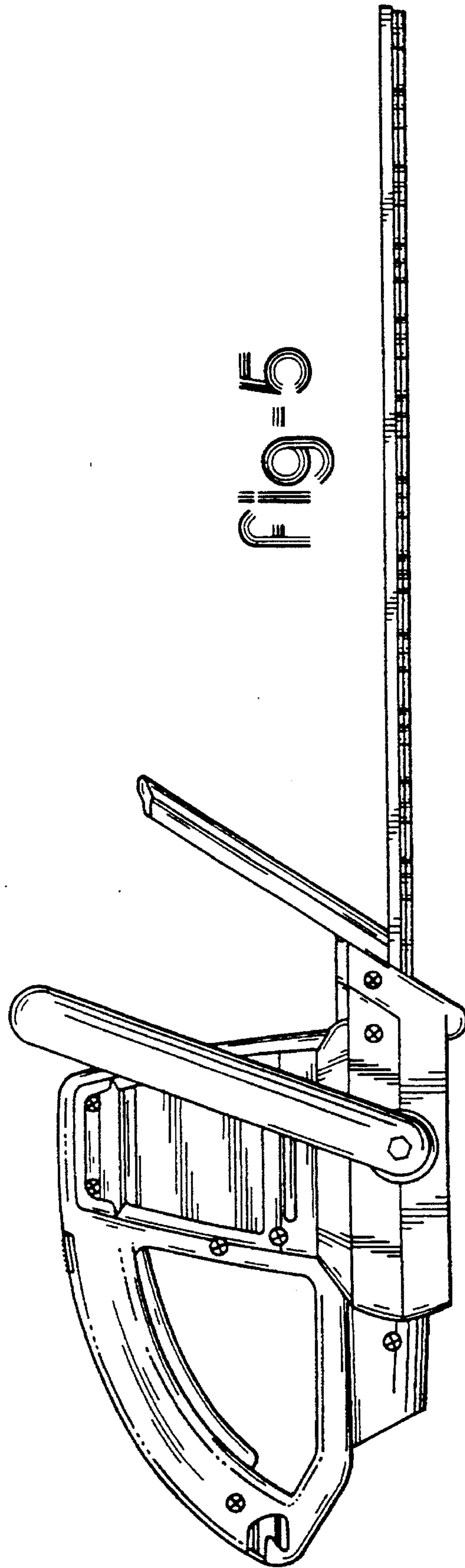


FIG-5

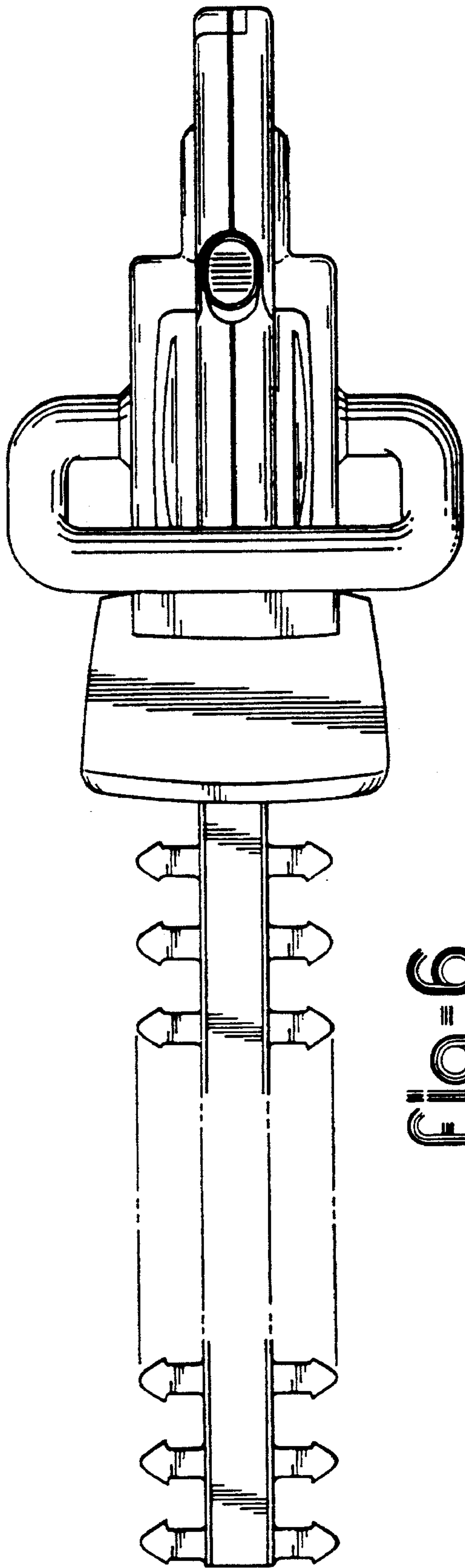


Fig. 6

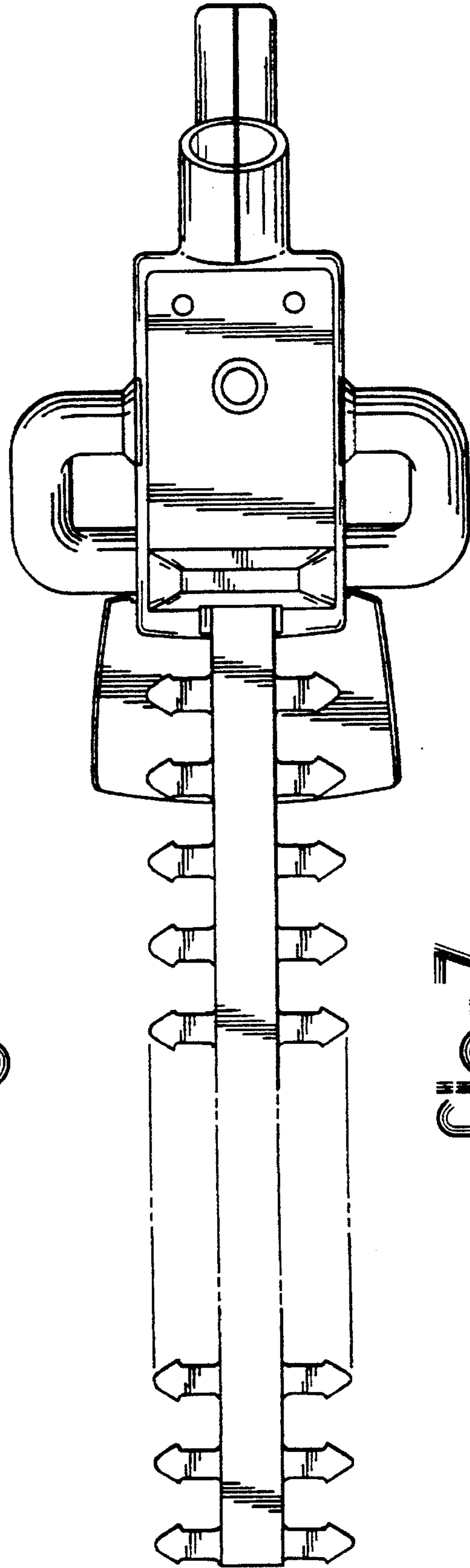


Fig. 7