



US00D364540S

United States Patent [19]

[11] Patent Number: **Des. 364,540**

Wasyln

[45] Date of Patent: ****Nov. 28, 1995**

[54] **FUNNEL FOR SEEDS**

3,757,469 9/1973 Smith et al. 111/7.1
4,995,327 2/1991 Jeffers, Sr. 111/106

[76] Inventor: **Richard M. Wasyln**, 628 E. Beecher Hill, Owego, N.Y. 13827

Primary Examiner—Alan P. Douglas
Assistant Examiner—Cathron B. Matta

[**] Term: **14 Years**

[57] **CLAIM**

[21] Appl. No.: **26,292**

The ornamental design for a funnel for seeds, as shown and described.

[22] Filed: **Jul. 25, 1994**

[52] U.S. Cl. **D8/2; D7/700**

DESCRIPTION

[58] **Field of Search** D11/146; D7/507,
D7/525, 536, 700; 73/294; D6/459; D8/1,
2; 111/106, 7.1, 92

FIG. 1 is a front elevational view of the funnel for seeds showing my new design;
FIG. 2 is a rear elevational view thereof;
FIG. 3 is a left side elevational view thereof;
FIG. 4 is a right side elevational view thereof;
FIG. 5 is a top plan view thereof;
FIG. 6 is a bottom plan view thereof; and,
FIG. 7 is an isometric view thereof.

[56] **References Cited**

U.S. PATENT DOCUMENTS

D. 51,709	1/1918	Wyatt	D8/2
D. 261,221	10/1981	Plueneke	D8/2
2,685,761	8/1954	Schlesser	11/7.1
3,126,847	3/1964	Morris	111/92

1 Claim, 4 Drawing Sheets

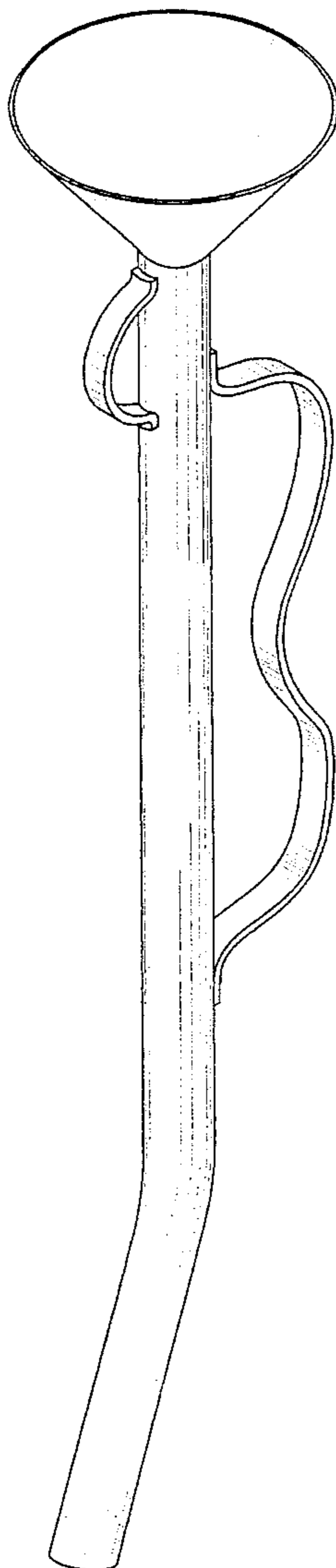


FIG. 1

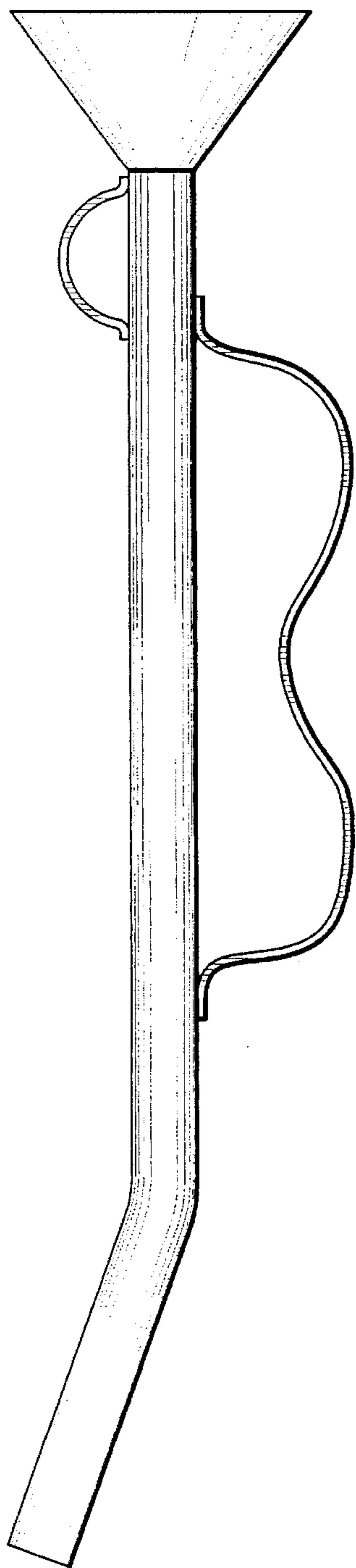


FIG. 2

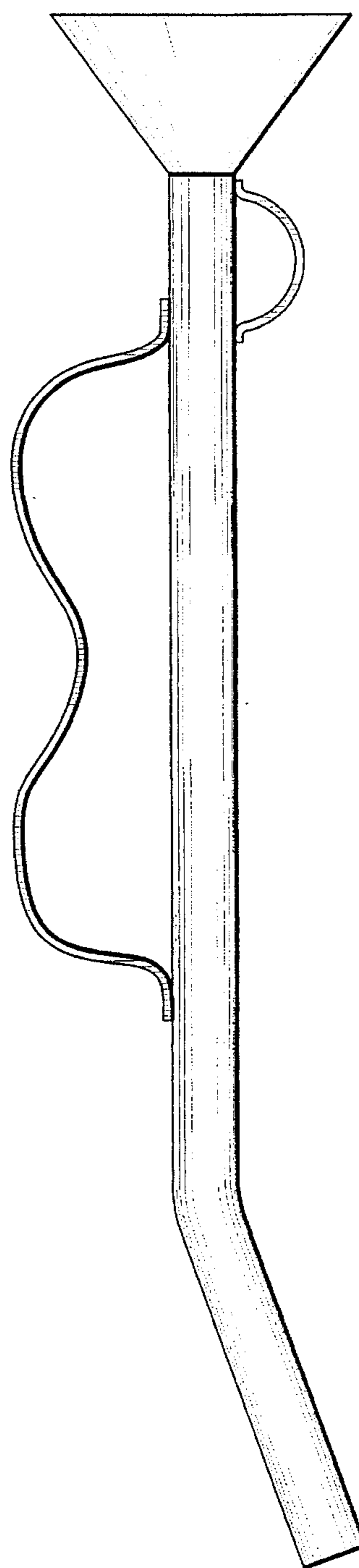


FIG. 3

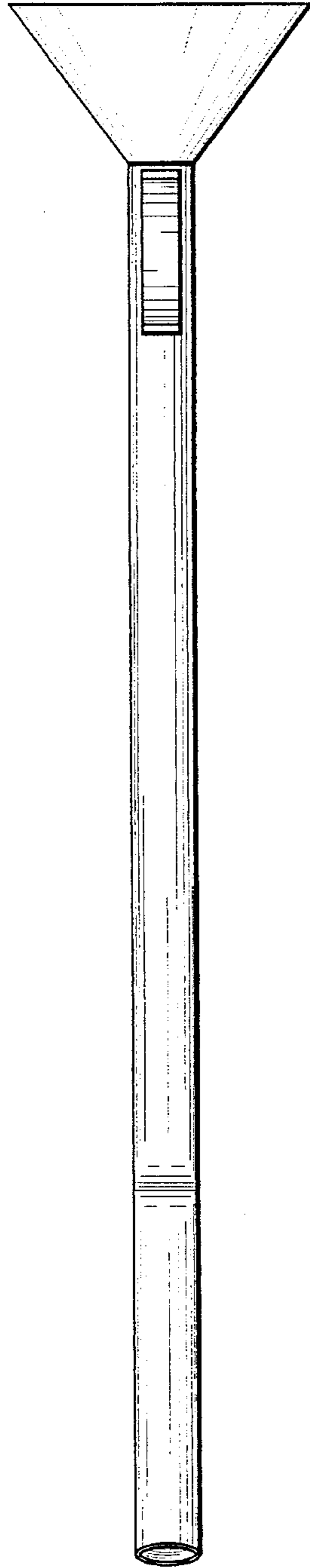


FIG. 4

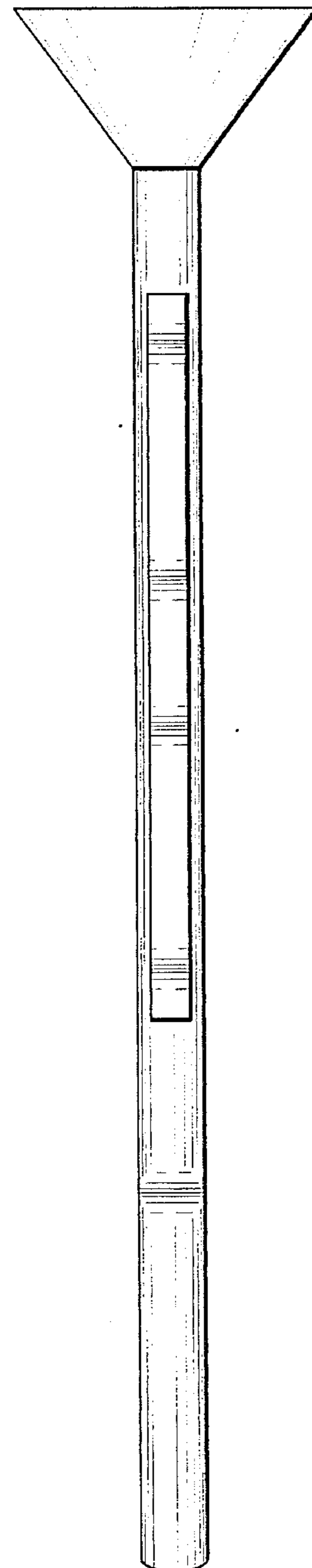


FIG. 5

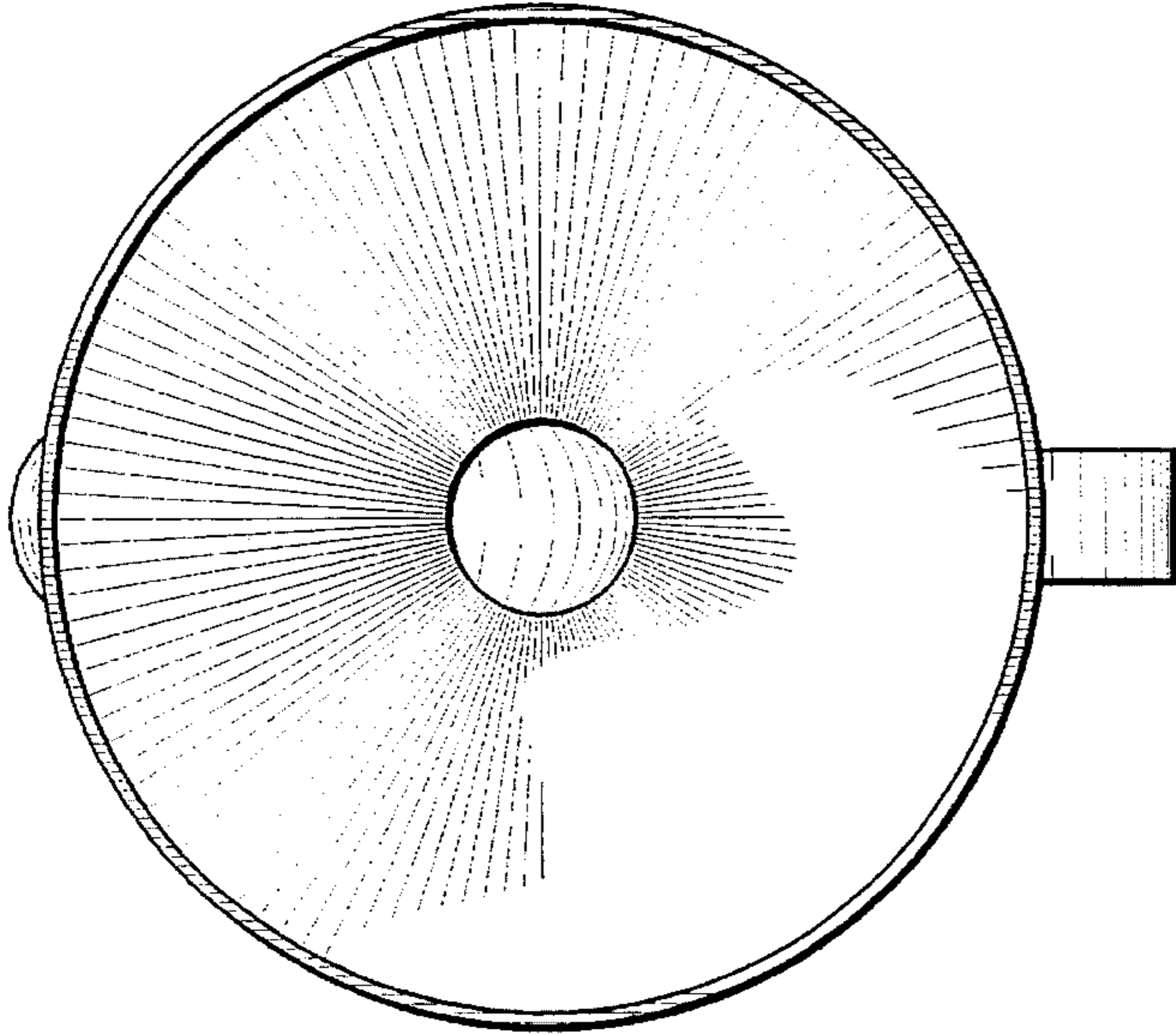


FIG. 6

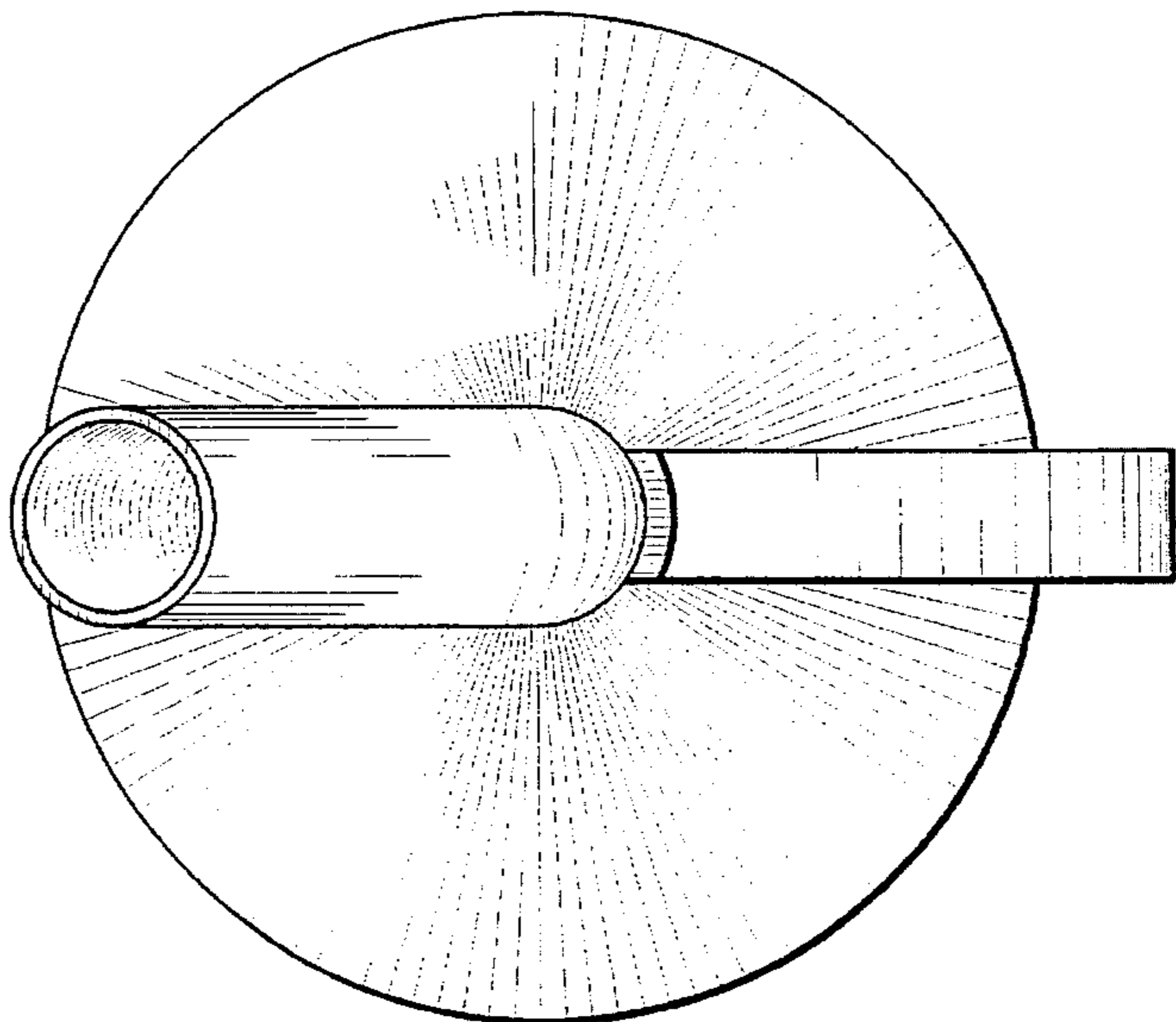


FIG. 7

