



US00D364539S

# United States Patent [19]

[11] Patent Number: **Des. 364,539**

Dickey et al.

[45] Date of Patent: **\*\*Nov. 28, 1995**

[54] **BEVERAGE HOLDER**

[75] Inventors: **Trent S. Dickey**, Martinsville; **Leon N. Costa**, Skillman, both of N.J.

[73] Assignee: **LCTD, L.L.C.**, Martinsville, N.J.

[\*\*] Term: **14 Years**

[21] Appl. No.: **29,276**

[22] Filed: **Aug. 24, 1994**

### Related U.S. Application Data

[63] Continuation-in-part of Ser. No. 12,606, Jul. 22, 1993, Pat. No. Des. 355,336.

[52] **U.S. Cl.** ..... **D7/620**

[58] **Field of Search** ..... D7/619-623; 211/71, 211/74, 75; 215/392, 393, 395, 396; 224/42.45 R; 248/215, 311.2

### [56] References Cited

#### U.S. PATENT DOCUMENTS

- D. 160,764 11/1950 Bender ..... D7/620
- D. 162,959 4/1951 Janes et al. .... D7/620
- D. 164,692 10/1951 Kelley ..... D7/620

- D. 226,623 4/1973 Shuford ..... D7/620
- D. 228,335 9/1973 Jackson ..... D7/620
- D. 338,597 8/1993 Dickey et al. .... D7/620
- D. 340,622 10/1993 Park et al. .... D7/620
- 2,532,244 11/1950 Pasmore ..... 220/51
- 3,239,181 3/1966 Ellerbrock ..... 248/210
- 3,698,675 10/1972 Leren et al. .... 211/75 X
- 4,727,890 3/1988 Vincent ..... 248/311.2 X

Primary Examiner—Terry A. Wallace

### [57] CLAIM

The ornamental design for a beverage holder, as shown and described.

### DESCRIPTION

FIG. 1 is a top, front, left side perspective view of a holder for rectangular beverage holders, cups and cans showing our new design;

FIG. 2 is a front elevational view thereof;

FIG. 3 is a left side elevational view thereof, the opposite side being a mirror image;

FIG. 4 is a rear elevational view thereof;

FIG. 5 is a top plan view thereof; and,

FIG. 6 is a bottom plan view thereof.

**1 Claim, 2 Drawing Sheets**

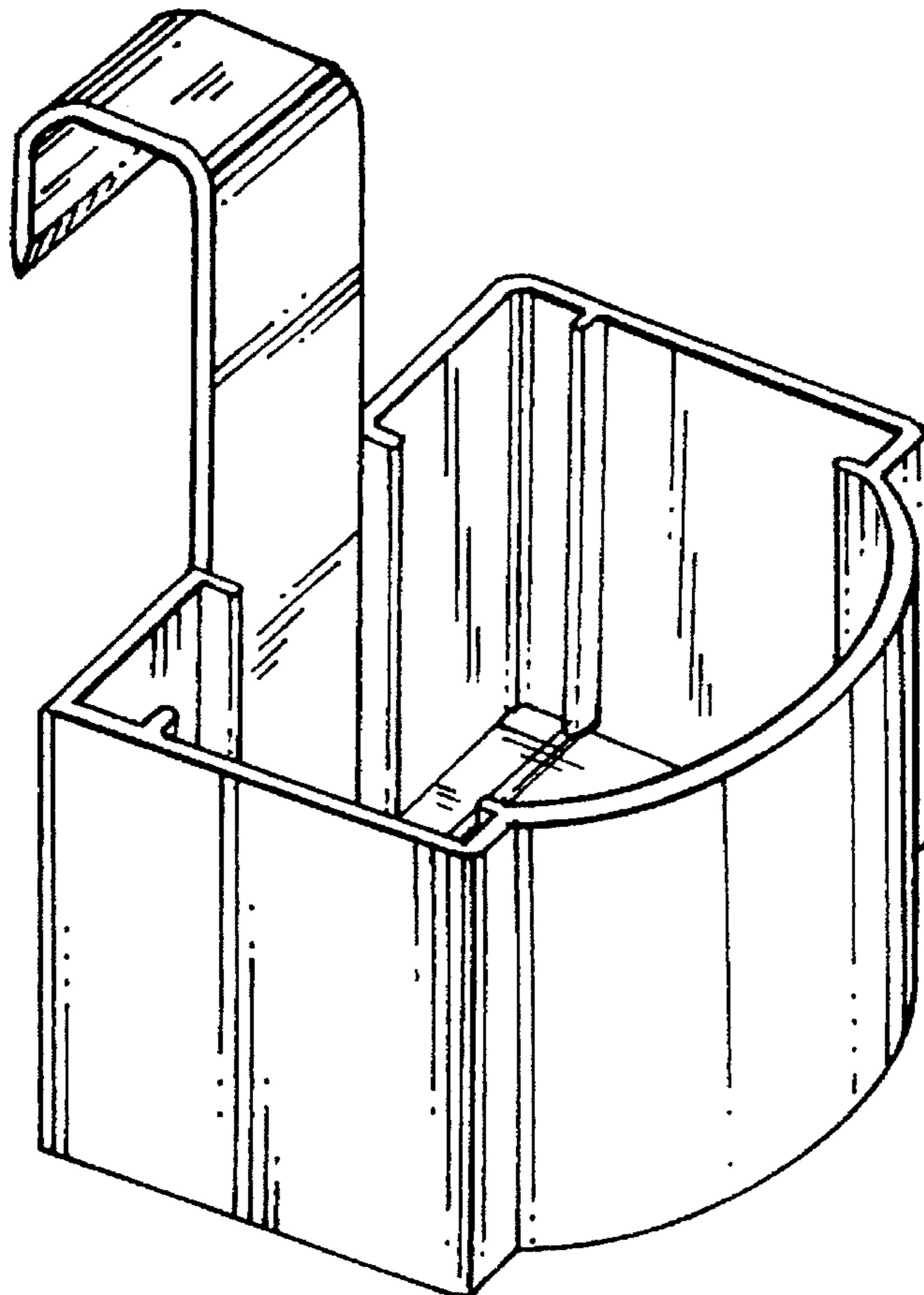


FIG. 1

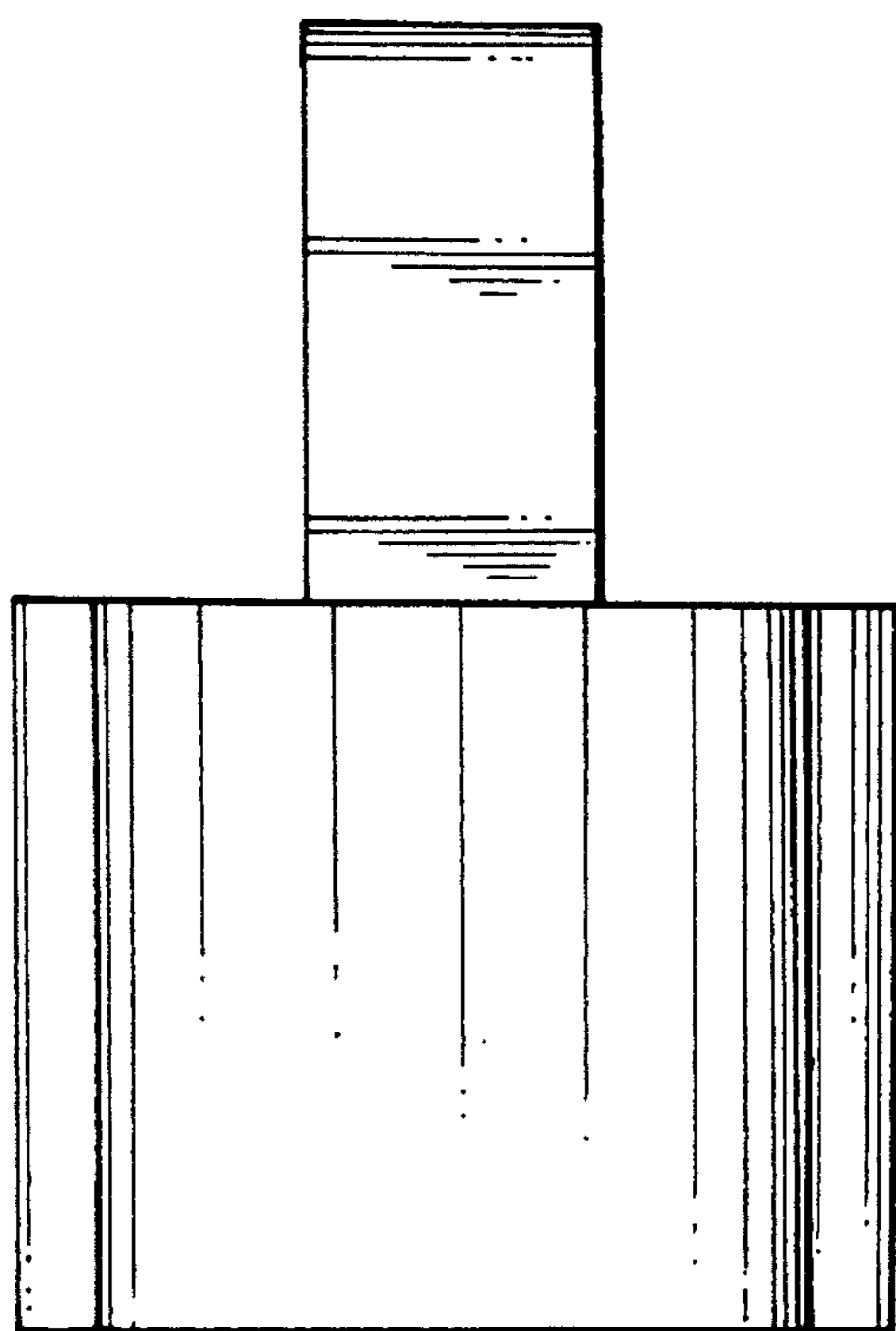
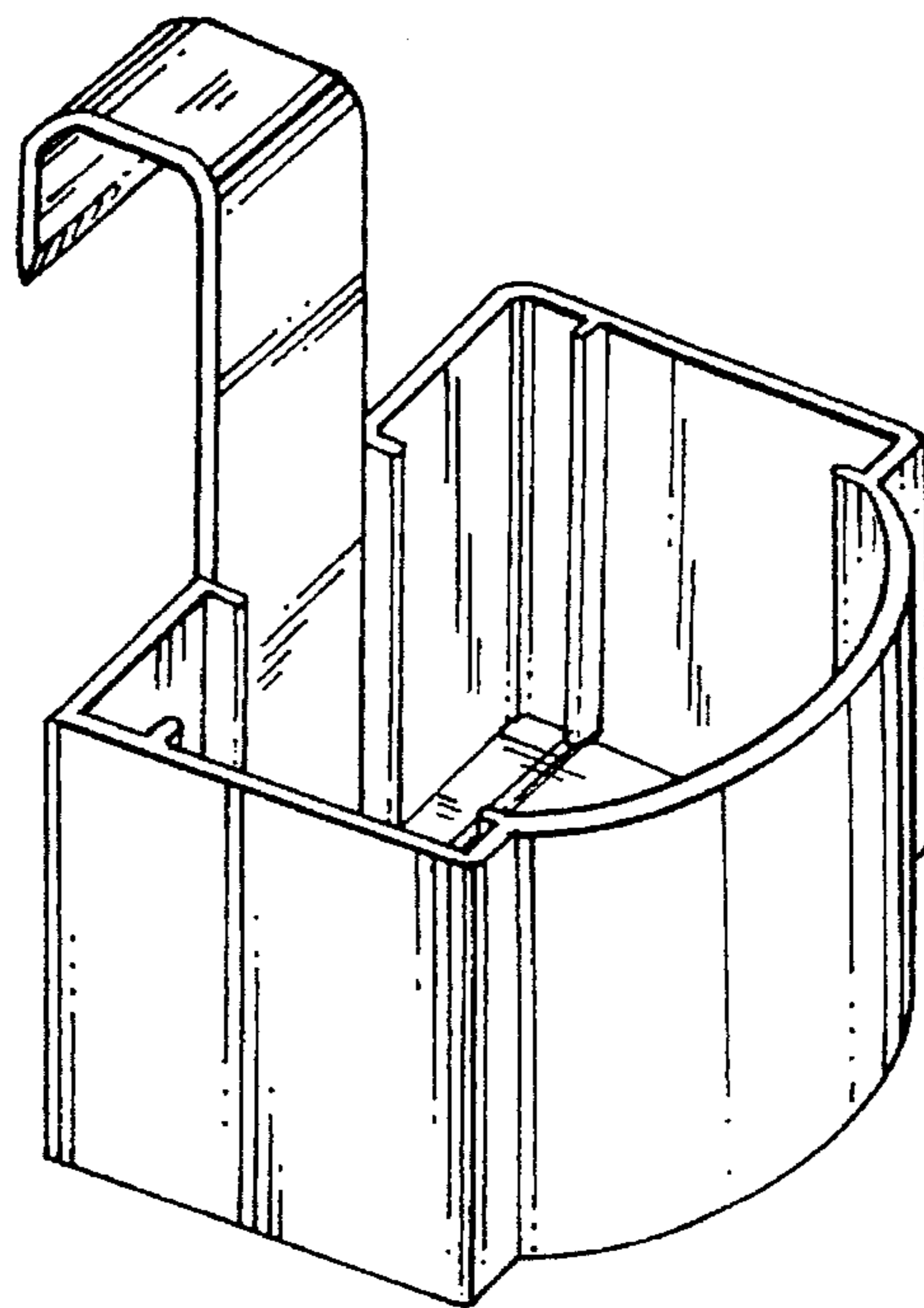


FIG. 2

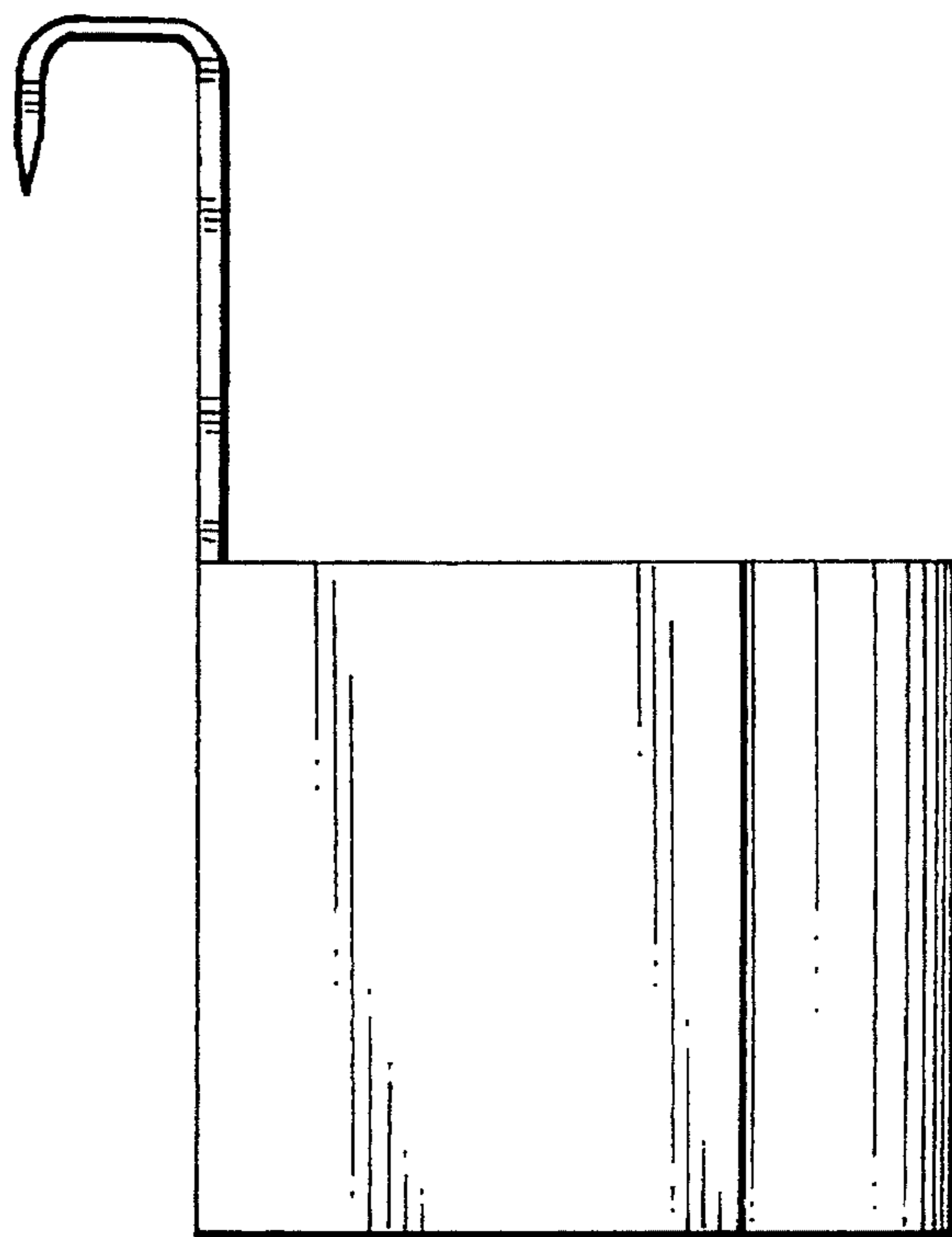


FIG. 3

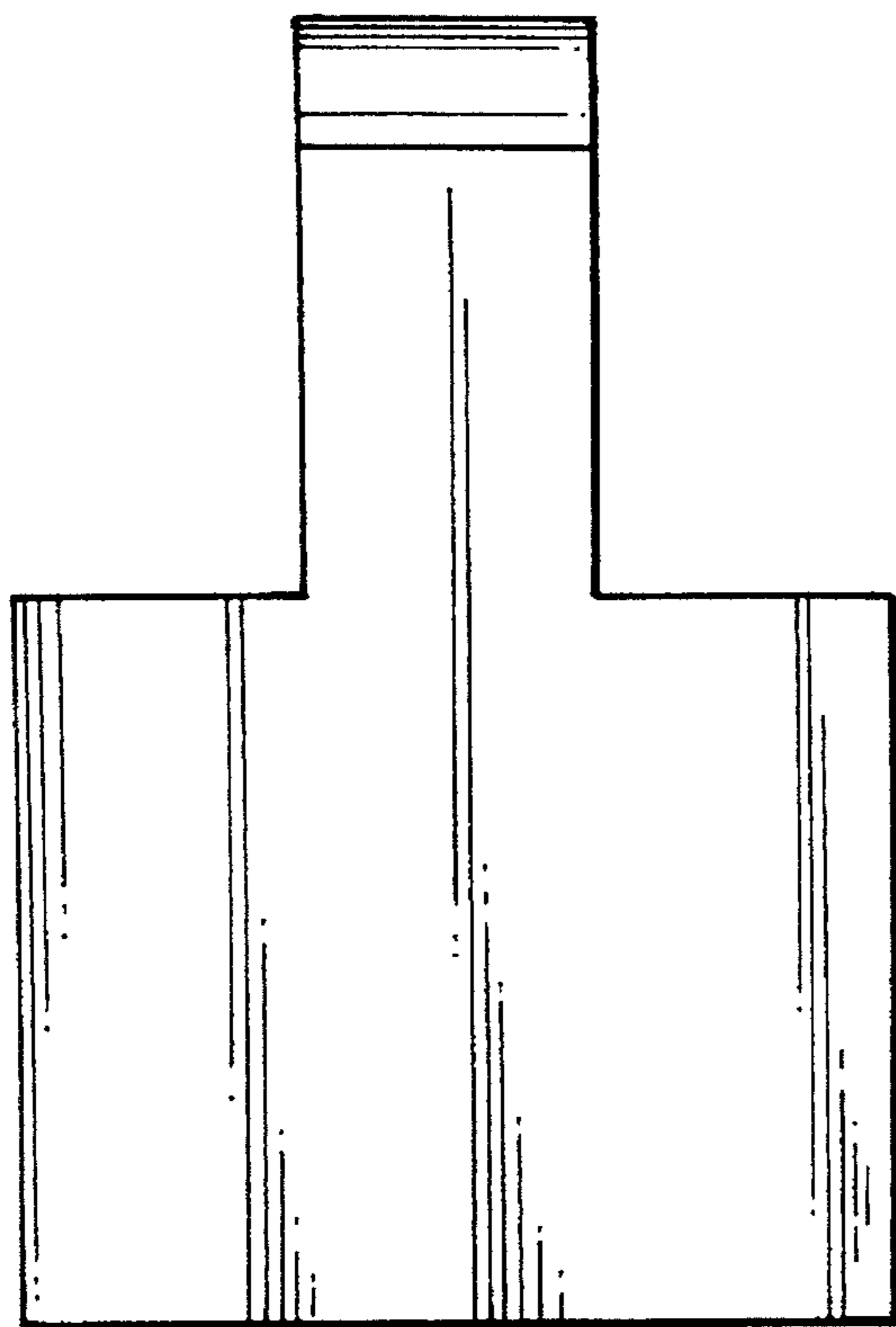


FIG. 4

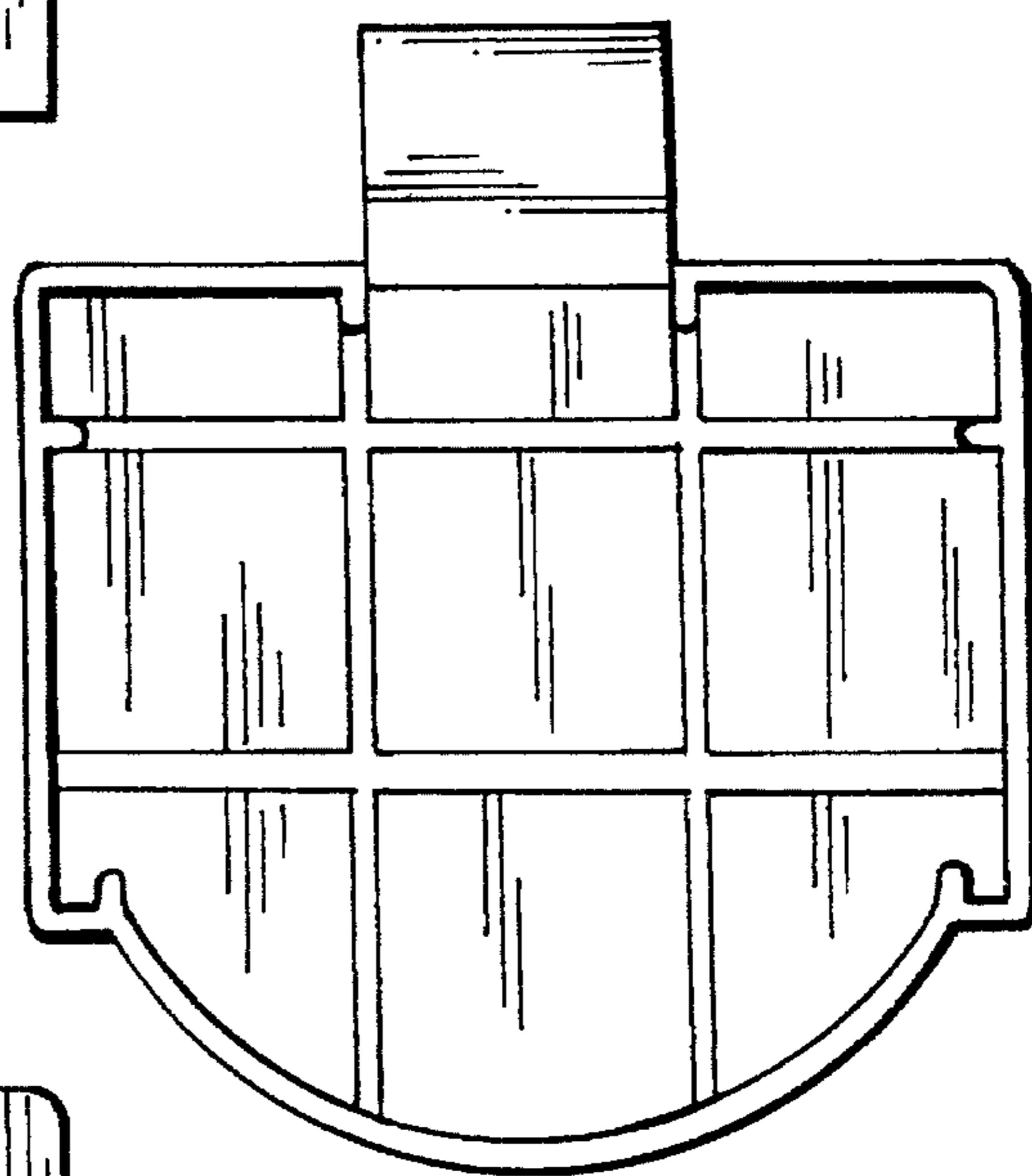


FIG. 5

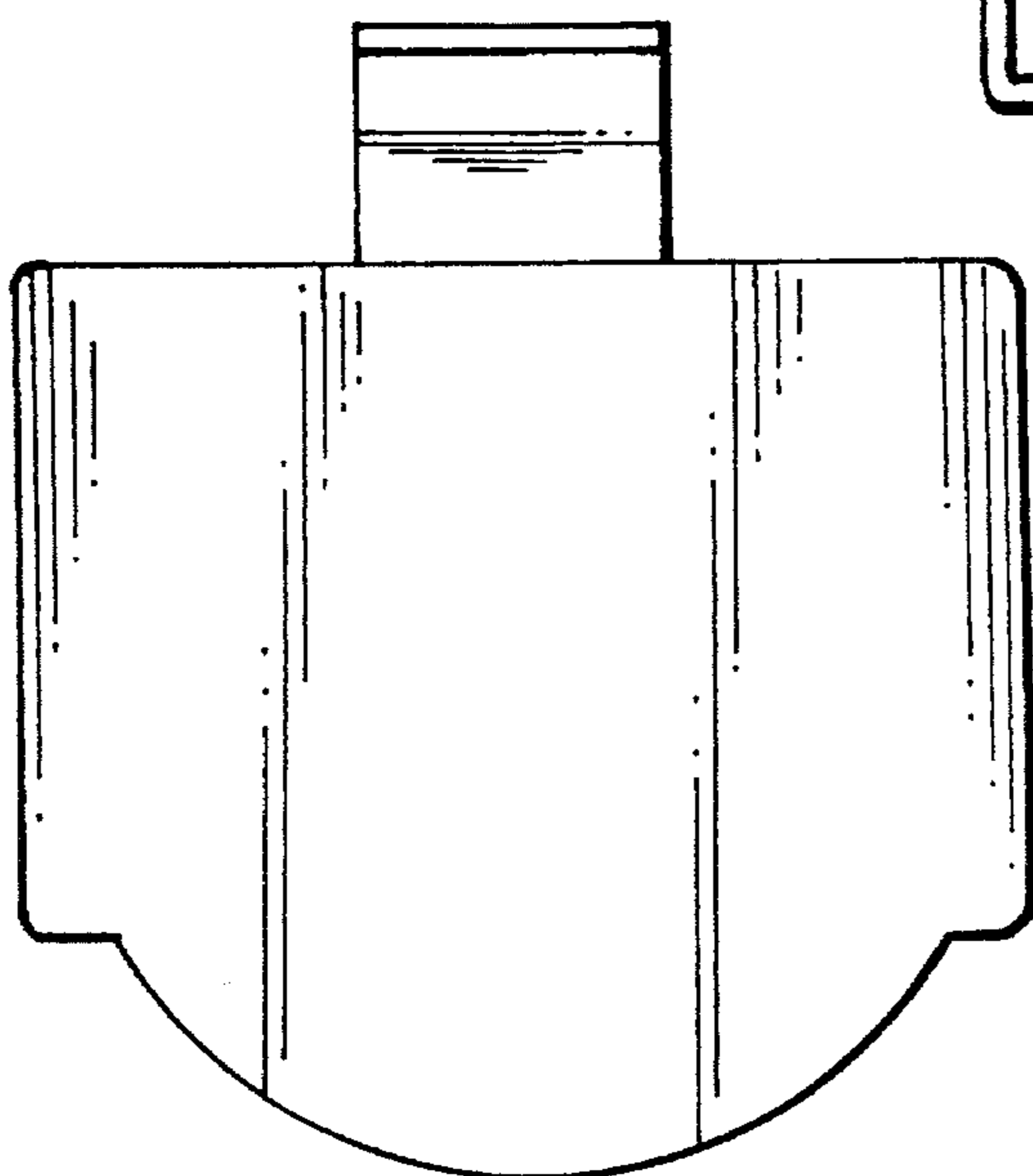


FIG. 6