



US00D364534S

# United States Patent [19]

[11] Patent Number: **Des. 364,534**

Brown et al.

[45] Date of Patent: **\*\*Nov. 28, 1995**

[54] **ADAPTER FOR ELEVATING AN ACCESSORY ABOVE A STOVE HEATING ELEMENT**

2,530,991	11/1950	Reeves	.....	D7/408
4,448,186	5/1984	Smith	.....	126/214 D
4,646,717	3/1987	Baggioli	.	
4,858,592	8/1989	Hayek	.	
5,125,393	6/1992	Levitin	.	

[76] Inventors: **R. A. Brown; Nora Brown**, both of P.O. Box 393, Branford, Fla. 32008

*Primary Examiner*—Ruth McInroy  
*Attorney, Agent, or Firm*—Terry M. Gernstein

[\*\*] Term: **14 Years**

[57] **CLAIM**

[21] Appl. No.: **25,372**

The ornamental design for an adapter for elevating an accessory above a stove heating element, as shown and described.

[22] Filed: **Jun. 30, 1994**

[52] U.S. Cl. .... **D7/407**

[58] **Field of Search** ..... D7/402, 407-409, D7/346, 388; 126/211, 214 R, 214 C, 214 D, 215, 221; 99/430, 433-434

**DESCRIPTION**

[56] **References Cited**

**U.S. PATENT DOCUMENTS**

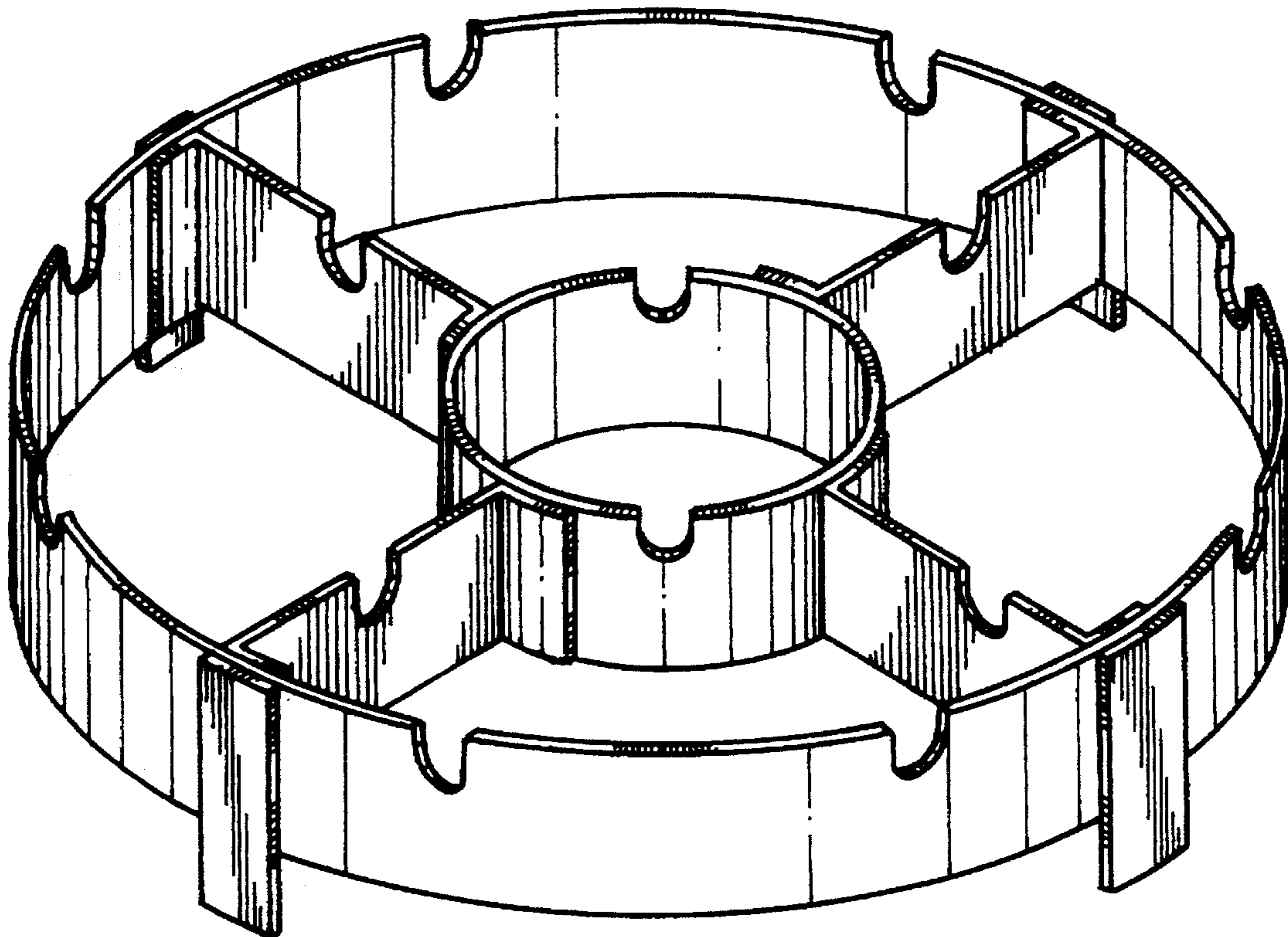
D. 263,108	2/1982	Juracsik	.....	D7/388
D. 338,805	8/1993	Mackin et al.	.....	D7/402
881,199	3/1908	Palmer	.....	D7/407
1,471,788	10/1923	Gardner	.....	126/215
2,142,418	1/1939	Stocker	.....	126/214 C

FIG. 1 is a front, top and side perspective view of an adapter for elevating an accessory above a stove heating element showing our new design;

FIG. 2 is a side elevational view thereof, the opposite side being identical; and,

FIG. 3 is a top plan view thereof, the bottom view being a mirror image.

**1 Claim, 2 Drawing Sheets**



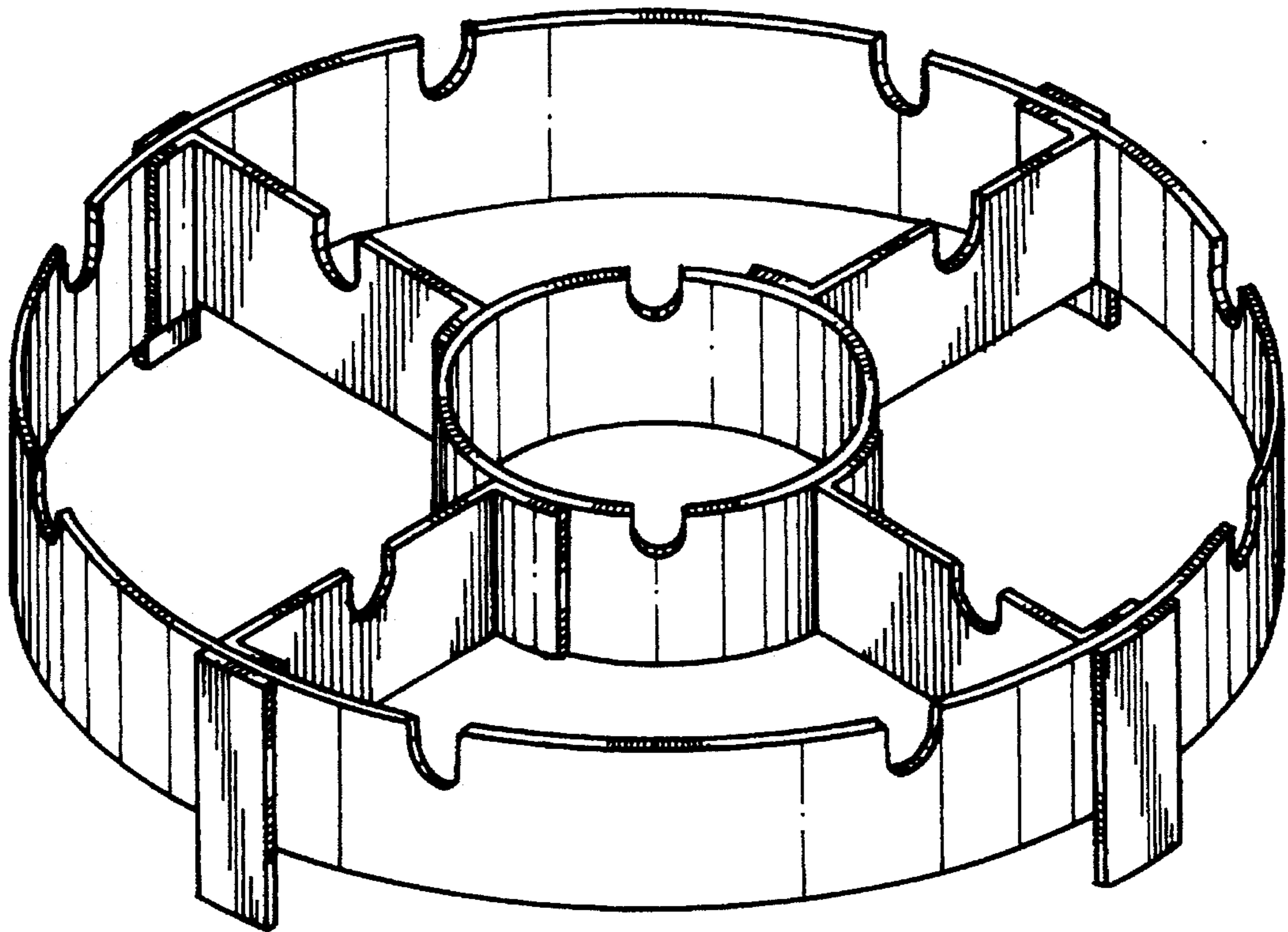


FIG.1.

FIG. 2.

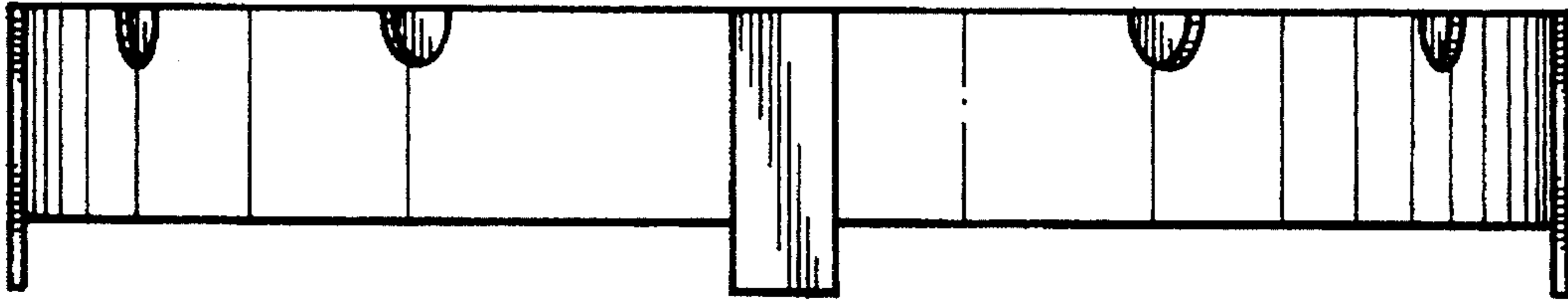


FIG. 3.

