



US00D364531S

United States Patent [19]

[11] **Patent Number: Des. 364,531**

Berner et al.

[45] **Date of Patent: **Nov. 28, 1995**

[54] **ICE SHAVER APPARATUS BODY**

[75] Inventors: **John M. Berner**, Golden Valley;
Richard H. Jacobs, New Brighton boht
of Minn.; **Richard D. Ipsen**, 720
Windemere Curve, Plymouth, Minn.
55441; **Thomas J. Novetzke**, 5621 14th
Ave. South, Minneapolis, Minn. 55417;
Paulette M. Magnuson, Crystal; **Steve
Wrobel**, Rogers, both of Minn.

[73] Assignees: **Richard Ipsen**, Plymouth; **Thomas J.
Novetzke**, Minneapolis, both of Minn.

[**] Term: **14 Years**

[21] Appl. No.: **15,845**

[22] Filed: **Nov. 30, 1993**

[52] U.S. Cl. **D7/374**

[58] **Field of Search** D7/372-374, 383-384,
D7/679, 591, 592, 596-597, 665; 241/DIG. 17,
83, 168-169, 169.1, 277, 279-280, 273.1

[56] **References Cited**

U.S. PATENT DOCUMENTS

D. 221,714	8/1971	Seiffert	D7/373
D. 223,425	4/1972	Seiffert	D7/373
D. 247,800	5/1978	Talge, Jr. et al.	D7/374
D. 247,902	5/1978	Fudman	D7/374
D. 298,434	11/1988	Makihara	D7/374

D. 304,897	12/1989	Lin	D7/374
D. 305,602	1/1990	Inomata	D7/374
D. 318,776	8/1991	Lin	D7/374
2,639,748	5/1953	Peel	241/273.1
3,679,140	7/1972	Kaishita et al.	241/95
4,113,190	9/1978	Fudman	D7/374
4,718,610	1/1988	Gallaher	241/37.5
4,767,068	8/1988	Ando	241/84
5,007,591	4/1991	Daniesl, Jr.	241/37.5

Primary Examiner—Ruth McInroy
Attorney, Agent, or Firm—Palmatier, Sjoquist & Helget

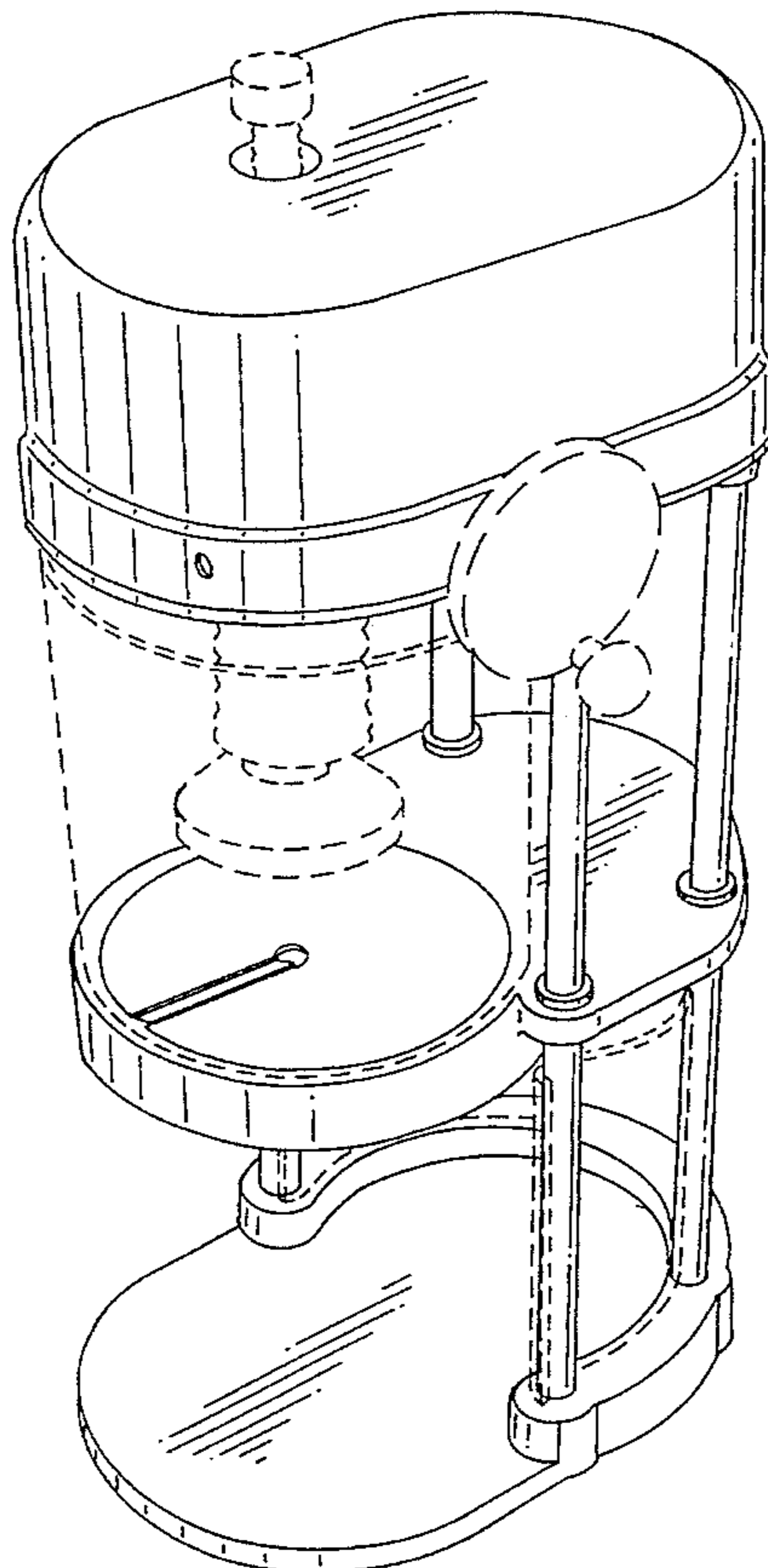
[57] **CLAIM**

The ornamental design for ice shaver apparatus body, as shown.

DESCRIPTION

FIG. 1 is a perspective view of an ice shaver apparatus body showing our new design;
FIG. 2 is a front elevational view thereof;
FIG. 3 is a side elevational view thereof;
FIG. 4 is a cross sectional view taken along line 4—4 in FIG. 3; and,
FIG. 5 is a cross sectional view taken along line 5—5 in FIG. 3.
The components of the ice shaver shown in broken lines in FIGS. 1-5 are shown for illustrative purposes only and forms no part of the claimed design.

1 Claim, 4 Drawing Sheets



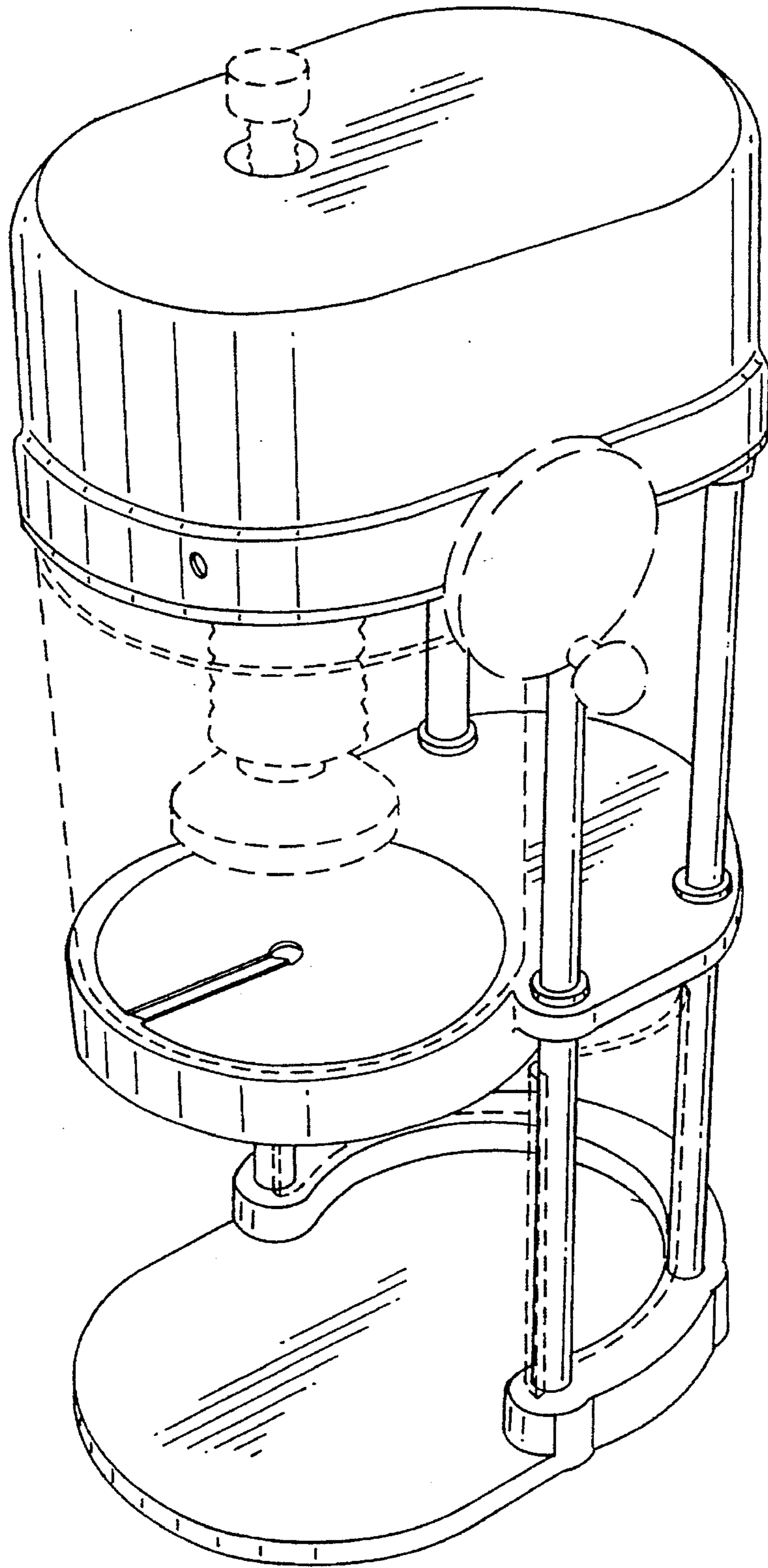


FIG. 1

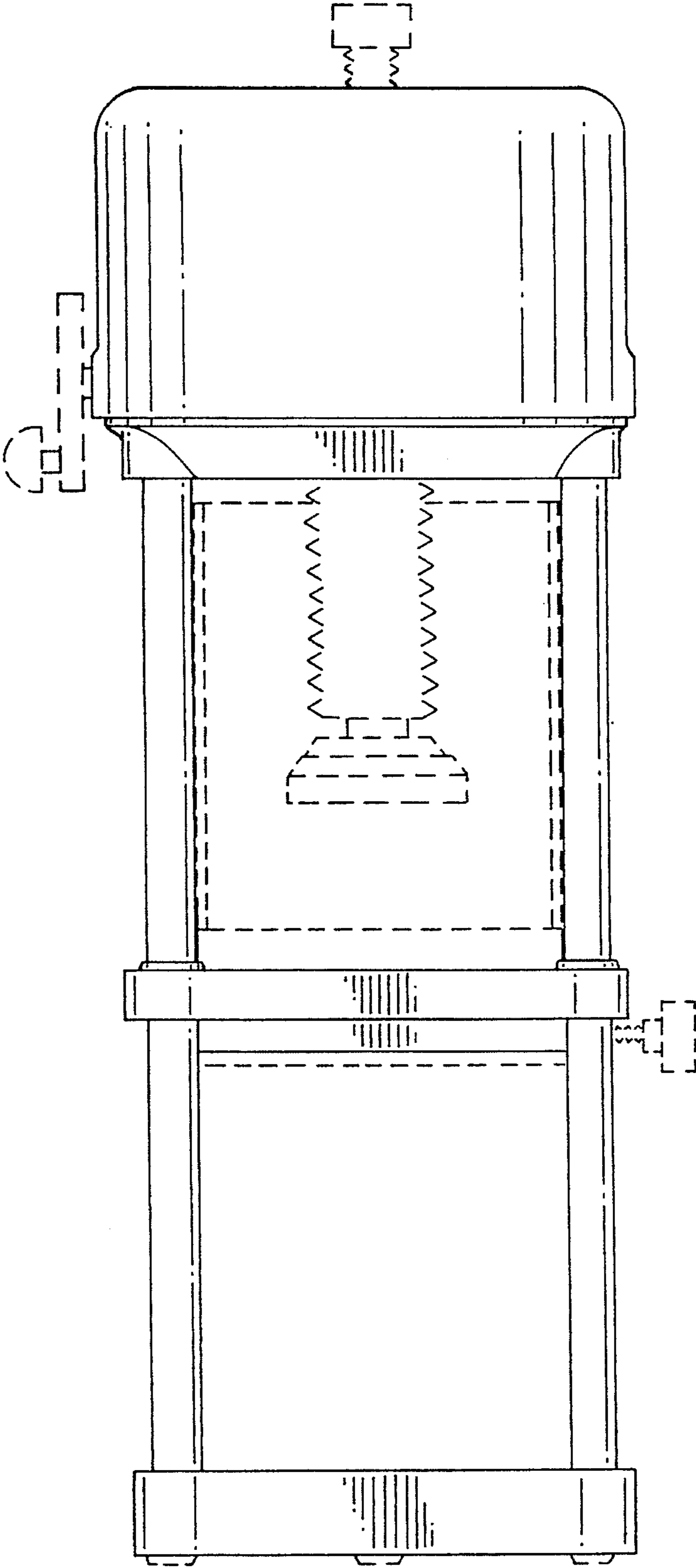


FIG. 2

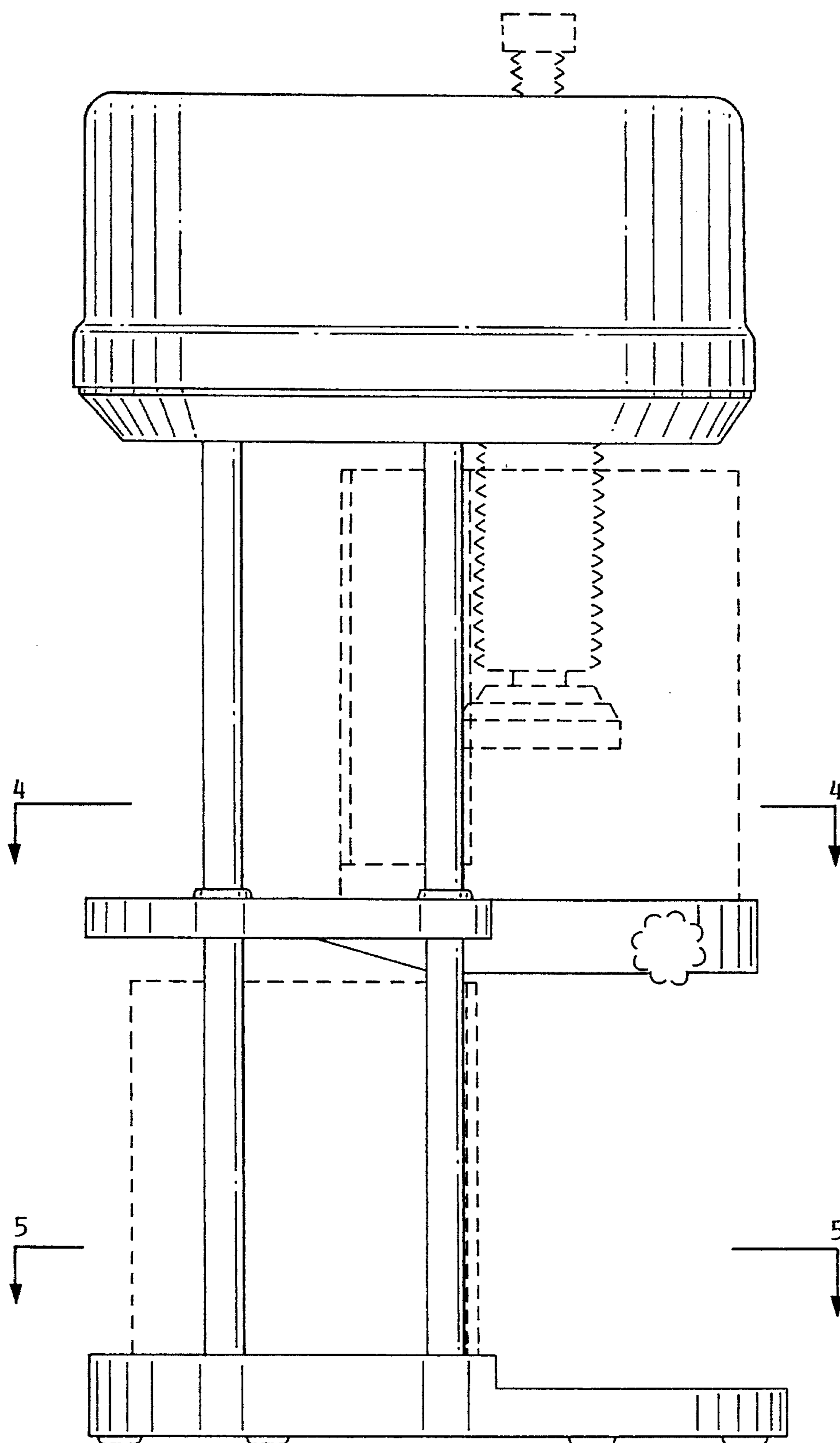


FIG. 3

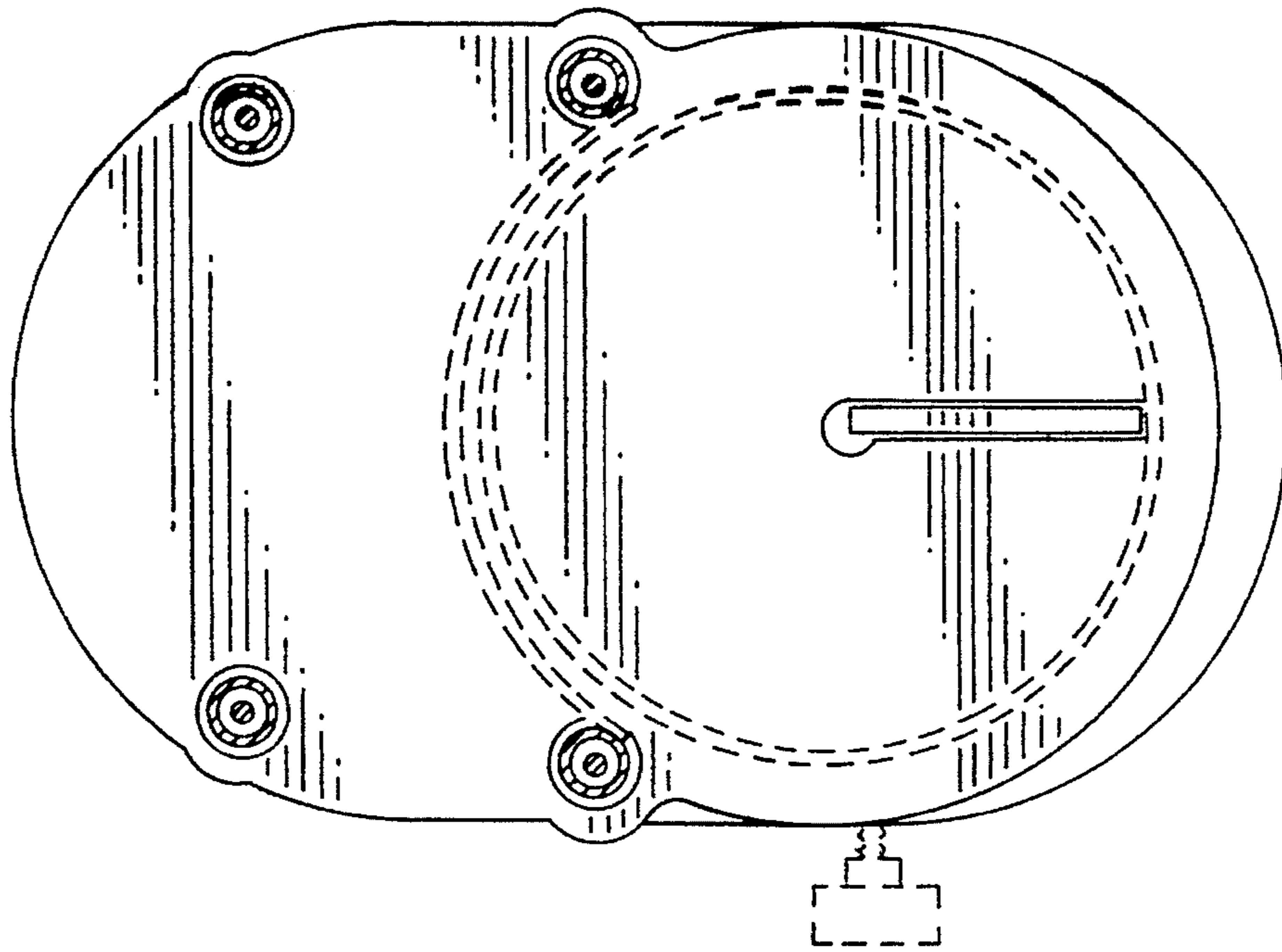


FIG. 4

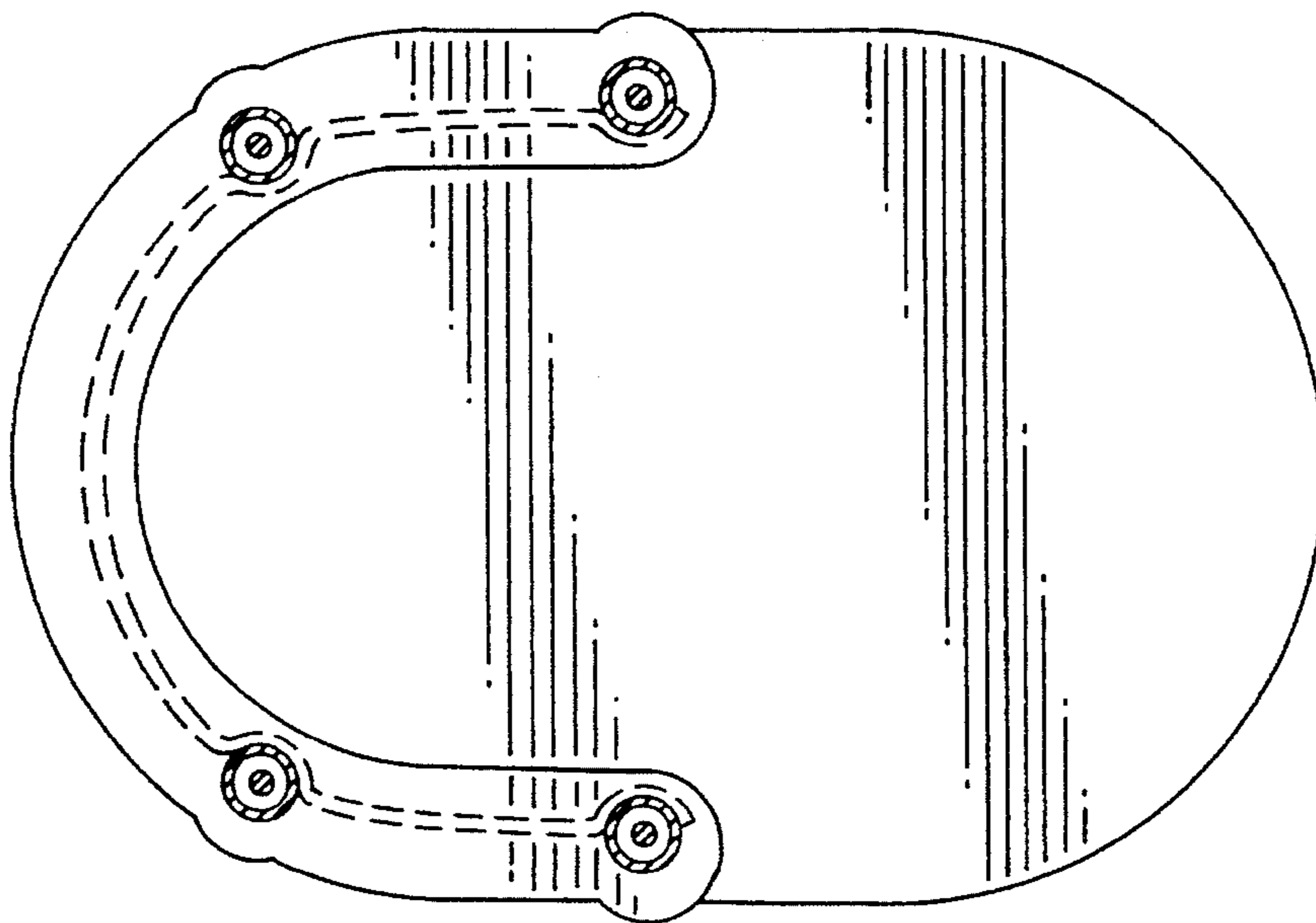


FIG. 5