



US00D364527S

United States Patent [19]

[11] Patent Number: **Des. 364,527**

Moon

[45] Date of Patent: ****Nov. 28, 1995**

[54] **CORNER SHELF**

D. 313,720	1/1991	Sorenson et al.	D6/562 X
2,657,811	11/1953	Isler	211/90
4,385,565	5/1983	Roberts et al.	108/152

[75] Inventor: **In-Ho Moon**, Seoul, Rep. of Korea

[73] Assignee: **American Standard Inc.**, Piscataway, N.J.

Primary Examiner—Brian N. Vinson
Attorney, Agent, or Firm—Elaine Brenner Robinson; Ann M. Knab

[**] Term: **14 Years**

[21] Appl. No.: **18,908**

[57] **CLAIM**

[22] Filed: **Feb. 17, 1994**

The ornamental designs for corner shelf, as shown and described.

[30] **Foreign Application Priority Data**

DESCRIPTION

Aug. 18, 1993	[KR]	Rep. of Korea	1993-16706
Aug. 18, 1993	[KR]	Rep. of Korea	1993-16707
Aug. 18, 1993	[KR]	Rep. of Korea	1993-16709
Aug. 18, 1993	[KR]	Rep. of Korea	1993-16715

FIG. 1 is a top and front perspective view of a corner shelf showing my new design;

[52] **U.S. Cl.** **D6/574; D6/562**

FIG. 2 is a front elevational view thereof;

[58] **Field of Search** D6/525, 548, 552, D6/553, 562, 566-567, 574; 108/152; 211/86-90, 126, 134

FIG. 3 is a rear elevational view thereof;

FIG. 4 is a right side elevational view thereof, the left side being a mirror image of that shown;

FIG. 5 is a top plan view thereof; and,

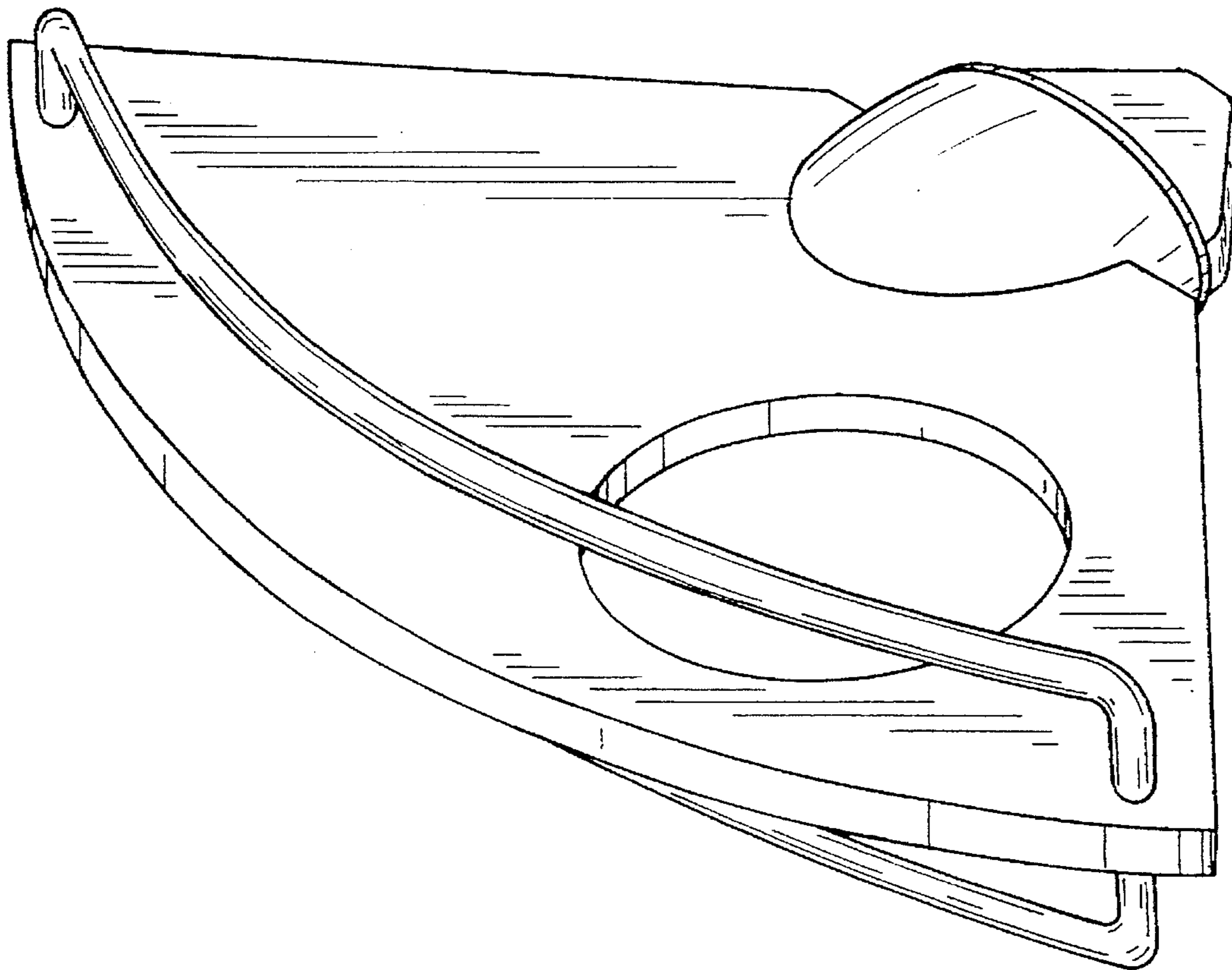
FIG. 6 is a bottom plan view thereof.

[56] **References Cited**

U.S. PATENT DOCUMENTS

D. 280,582 9/1985 DelGarbino et al. D6/562

1 Claim, 5 Drawing Sheets



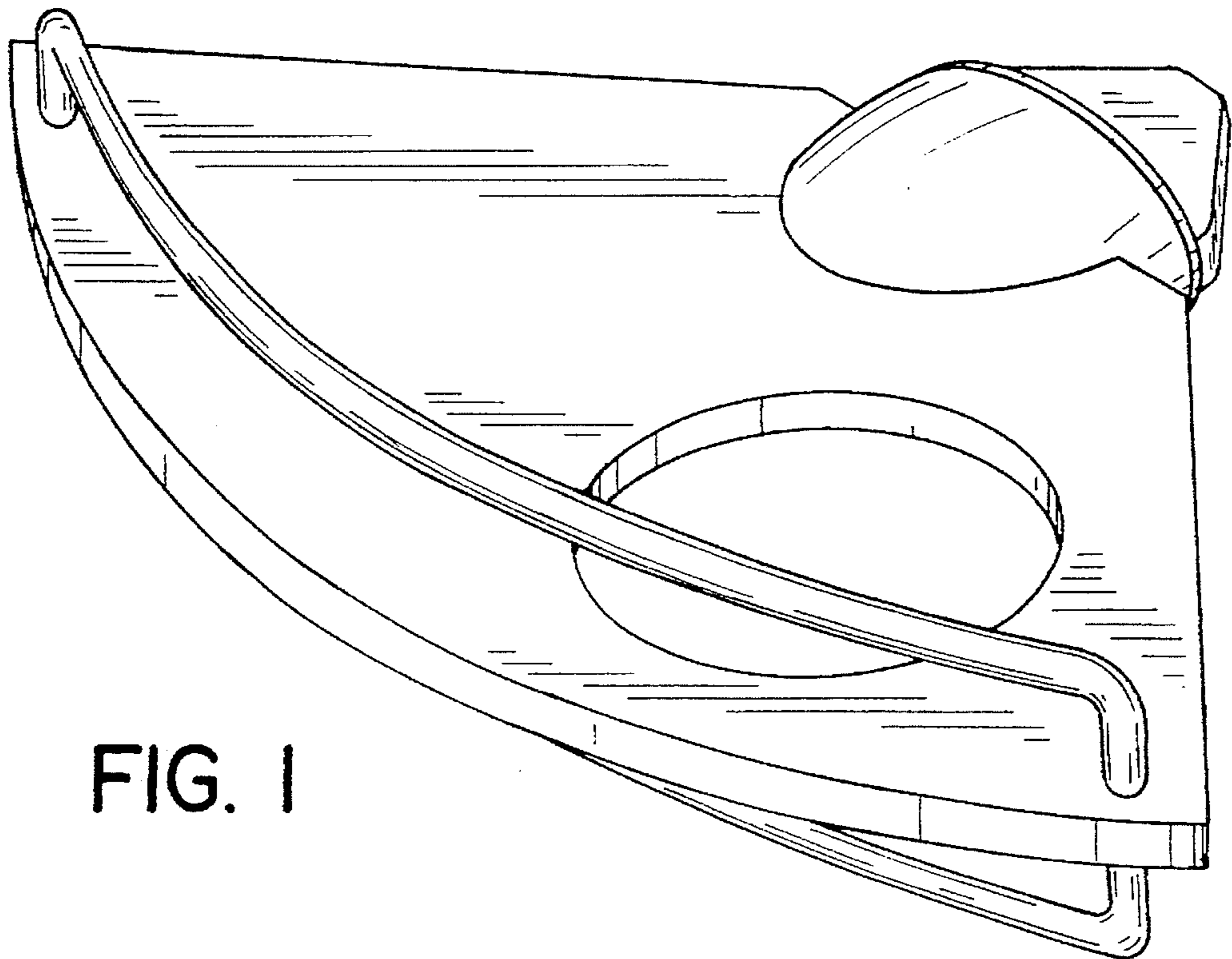


FIG. 1

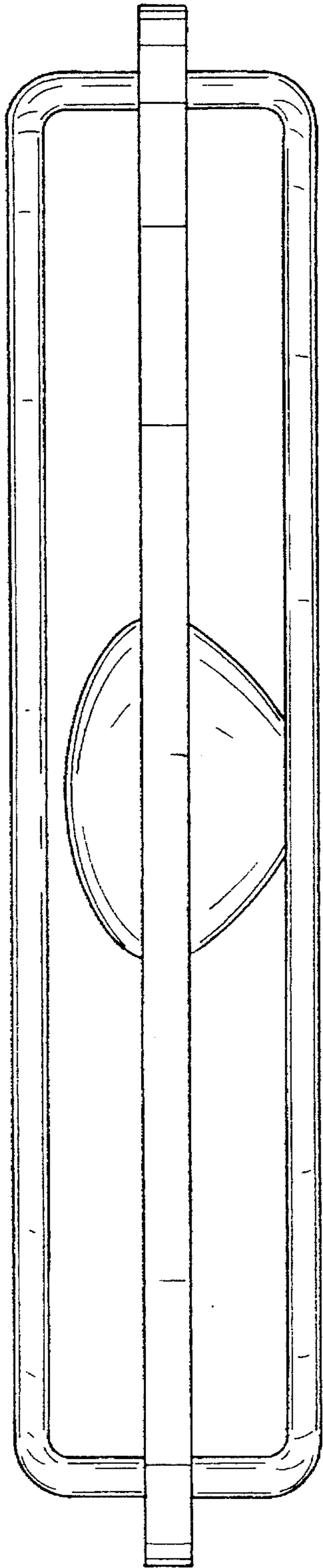


FIG. 2

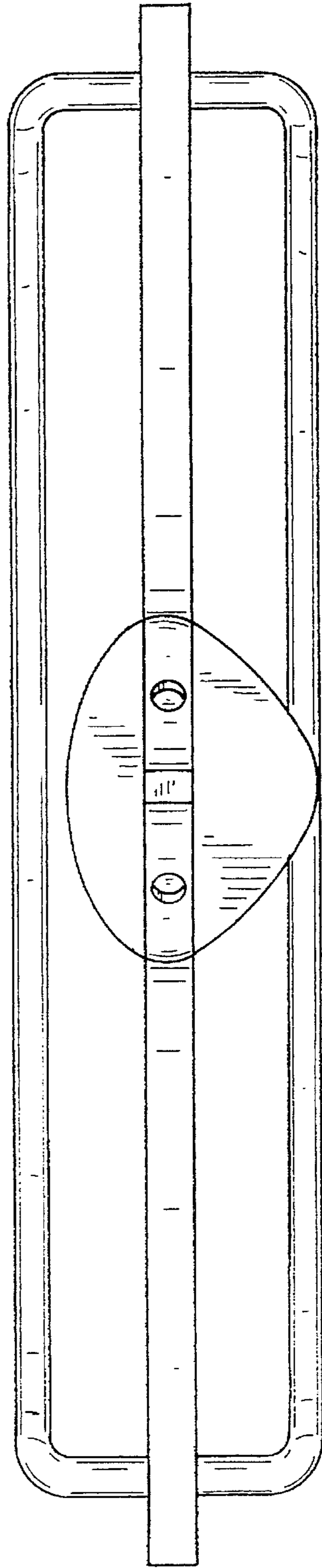


FIG. 3

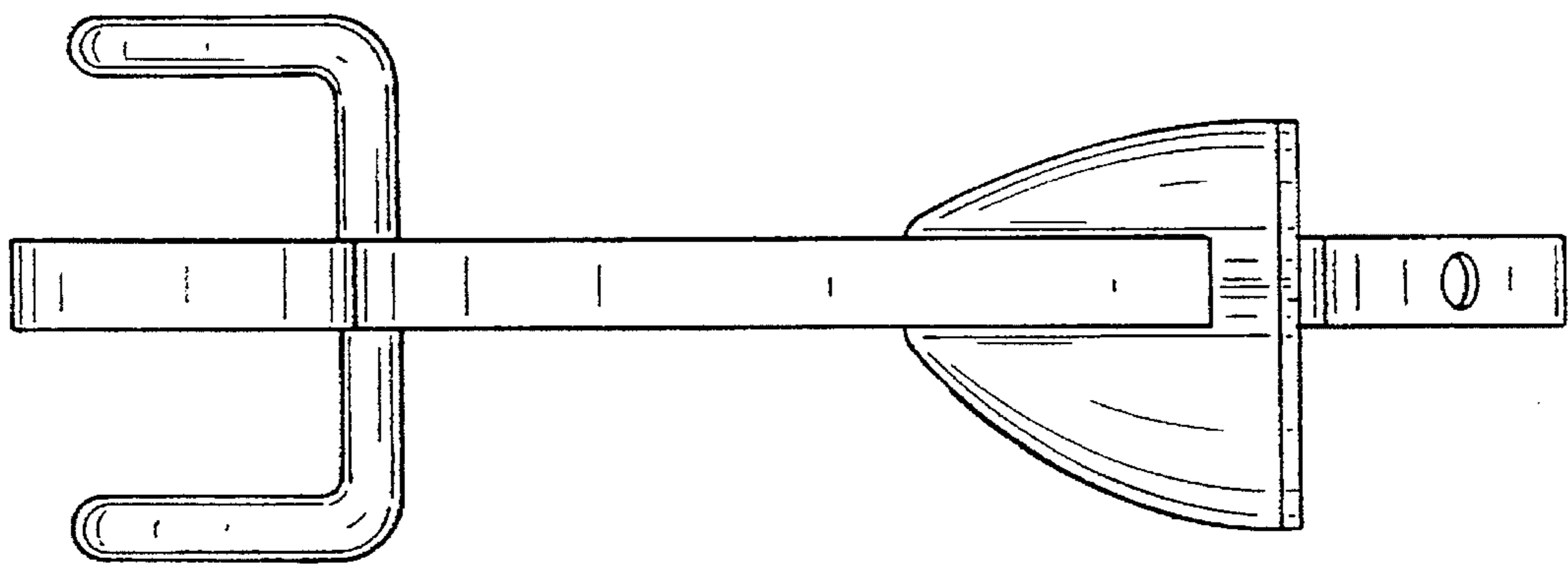


FIG. 4

FIG. 5

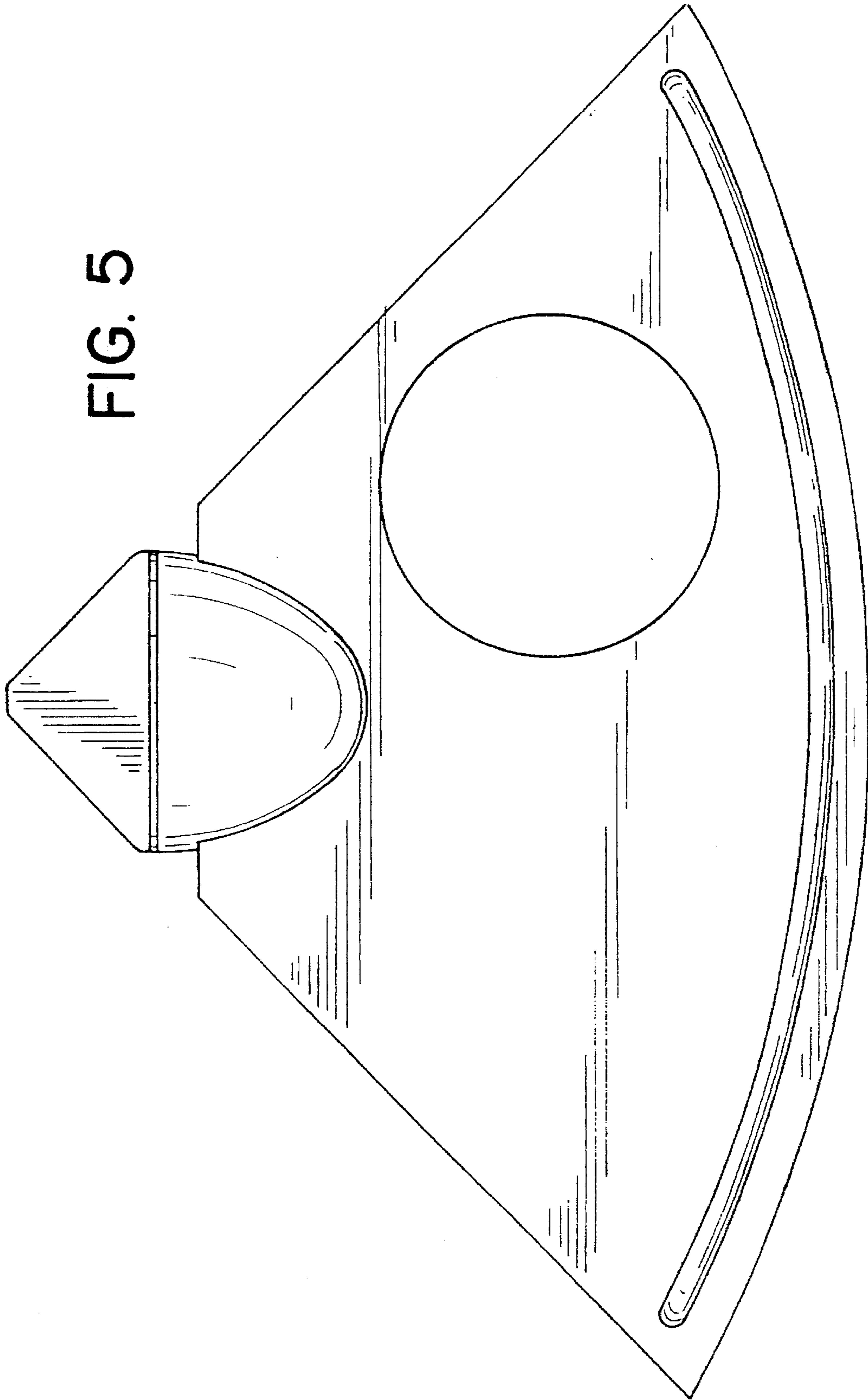


FIG. 6

