



US00D364524S

United States Patent [19]

[11] Patent Number: **Des. 364,524**

Bassler et al.

[45] Date of Patent: ****Nov. 28, 1995**

[54] **WALL MOUNTED HOLDER FOR A VACUUM AND/OR ATTACHMENTS**

[75] Inventors: **Louis M. Bassler**, Montoursville;
Robert C. Berfield, Jersey Shore, both of Pa.

[73] Assignee: **Shop Vac Corporation**, Williamsport, Pa.

[**] Term: **14 Years**

[21] Appl. No.: **23,049**

[22] Filed: **May 17, 1994**

[52] U.S. Cl. **D6/567**

[58] Field of Search D6/512, 552, 553,
D6/567, 569, 574; 206/207, 315.1, 320;
211/13, 60.1, 70.6, 71, 86-87, 90, 88, 113,
120, 134; 248/309.1, 314, 315, 907; 15/323,
257.01, 268

[56] **References Cited**

U.S. PATENT DOCUMENTS

D. 159,960	9/1950	Davey	D14/3
D. 159,961	9/1950	Davey	D14/3
D. 177,717	5/1956	Conrad	D33/3
D. 203,010	11/1965	Graham et al.	D58/26
D. 231,168	4/1974	Hammett	D6/136
1,551,434	8/1925	Shiffer	.	
2,386,489	10/1945	McKellar	206/16
2,467,997	4/1949	Sheker	248/303
2,506,897	5/1950	Sheker	248/304
2,528,872	11/1950	Dick	280/43
2,595,752	5/1952	Batts	248/224
2,615,577	10/1952	Bartleman	211/60

(List continued on next page.)

OTHER PUBLICATIONS

U.S. Ser. No. 08/243,983 Filing Date: May 17, 1994 Bassler et al.

Primary Examiner—Brian N. Vinson
Attorney, Agent, or Firm—Marshall, O'Toole, Gerstein, Murray & Borun

[57] **CLAIM**

The ornamental design for a wall mounted holder for a vacuum and/or attachments, as shown and described.

DESCRIPTION

FIG. 1 is a top, front, and left side perspective view of a wall mounted holder for a vacuum and/or attachments showing our new design;

FIG. 2 is a top plan view thereof;

FIG. 3 is a left side elevational view thereof, the right side being a mirror image of that shown;

FIG. 4 is a front elevational view thereof;

FIG. 5 is a bottom plan view thereof;

FIG. 6 is a bottom, front, and left side perspective view thereof;

FIG. 7 is a bottom, front, and left side perspective view thereof, with the attachment bracket portion shown installed in an alternate position;

FIG. 8 is a top, front, and left side perspective view of the vacuum bracket portion thereof, the broken-line disclosure of a portion of a wall being for illustrative purposes only and forming no part of the claimed design;

FIG. 9 is a top plan view of the vacuum bracket portion thereof;

FIG. 10 is a left side elevational view of the vacuum bracket portion thereof, the right side being a mirror image of that shown;

FIG. 11 is a front elevational view of the vacuum bracket portion thereof;

FIG. 12 is a bottom plan view of the vacuum bracket portion thereof;

FIG. 13 is a top, front, and left side perspective view of the attachment bracket portion thereof;

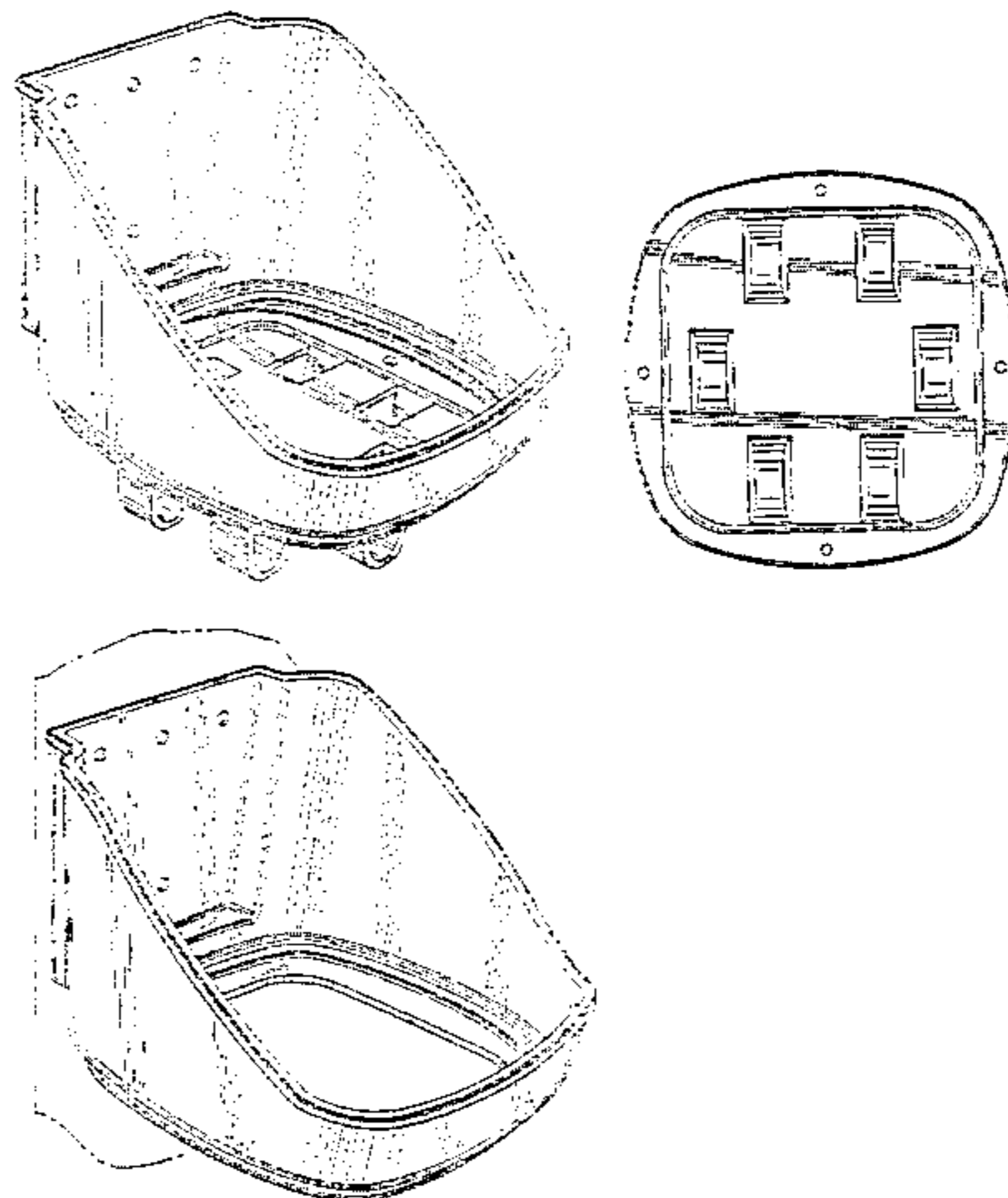
FIG. 14 is a top plan view of the attachment bracket portion thereof;

FIG. 15 is a right side elevational view of the attachment bracket portion thereof;

FIG. 16 is a front elevational view of the attachment bracket portion thereof, the rear being identical in appearance; and, FIG. 17 is a bottom plan view of the attachment bracket portion thereof.

In some views the attachment bracket portion and alternately, the vacuum bracket portion are omitted for clarity of illustration.

1 Claim, 10 Drawing Sheets



U.S. PATENT DOCUMENTS						
			4,294,421	10/1981	Kunstlicher et al.	248/37.6
2,854,686	10/1958	Hansen	4,334,724	6/1982	Rogers	211/87
3,095,092	6/1963	Magarian	4,453,690	6/1984	Takeuji	248/309.1
3,187,902	6/1965	Nelson	4,645,150	2/1987	Taylor	248/56
3,627,248	12/1971	Nelson	4,672,703	6/1987	Frazier	5/503
3,672,616	6/1972	Hunt	4,746,092	5/1988	Hayashi et al.	248/638
3,812,976	5/1974	Rempel	4,895,334	1/1990	Bajek et al.	248/302
3,872,538	3/1975	Crouser	5,029,792	7/1991	Desjardins	248/309.1
4,118,002	10/1978	Bartlett	5,071,012	12/1991	Jailor	211/13
4,155,459	5/1979	Marschak				

FIG. 1

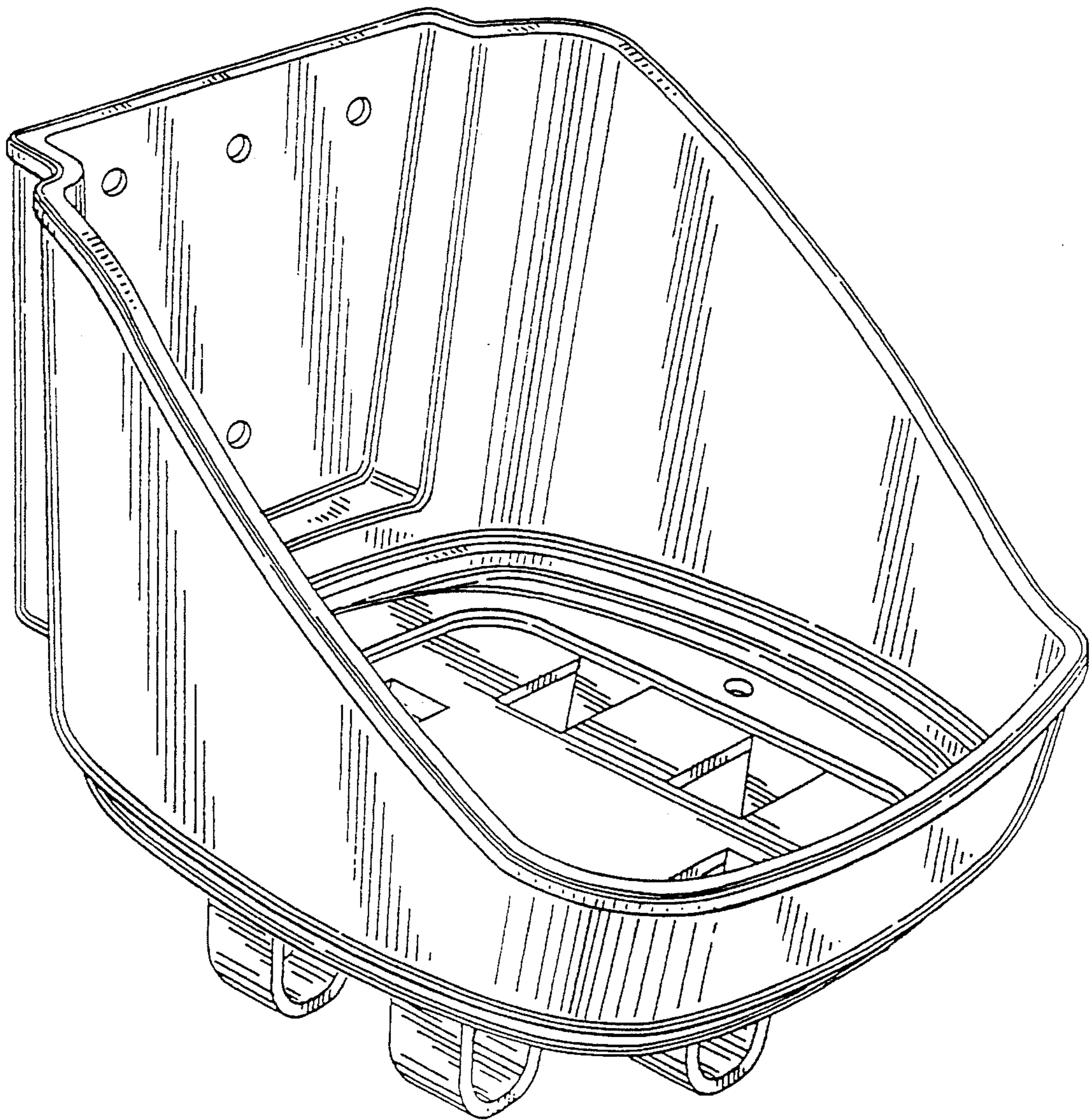


FIG. 2

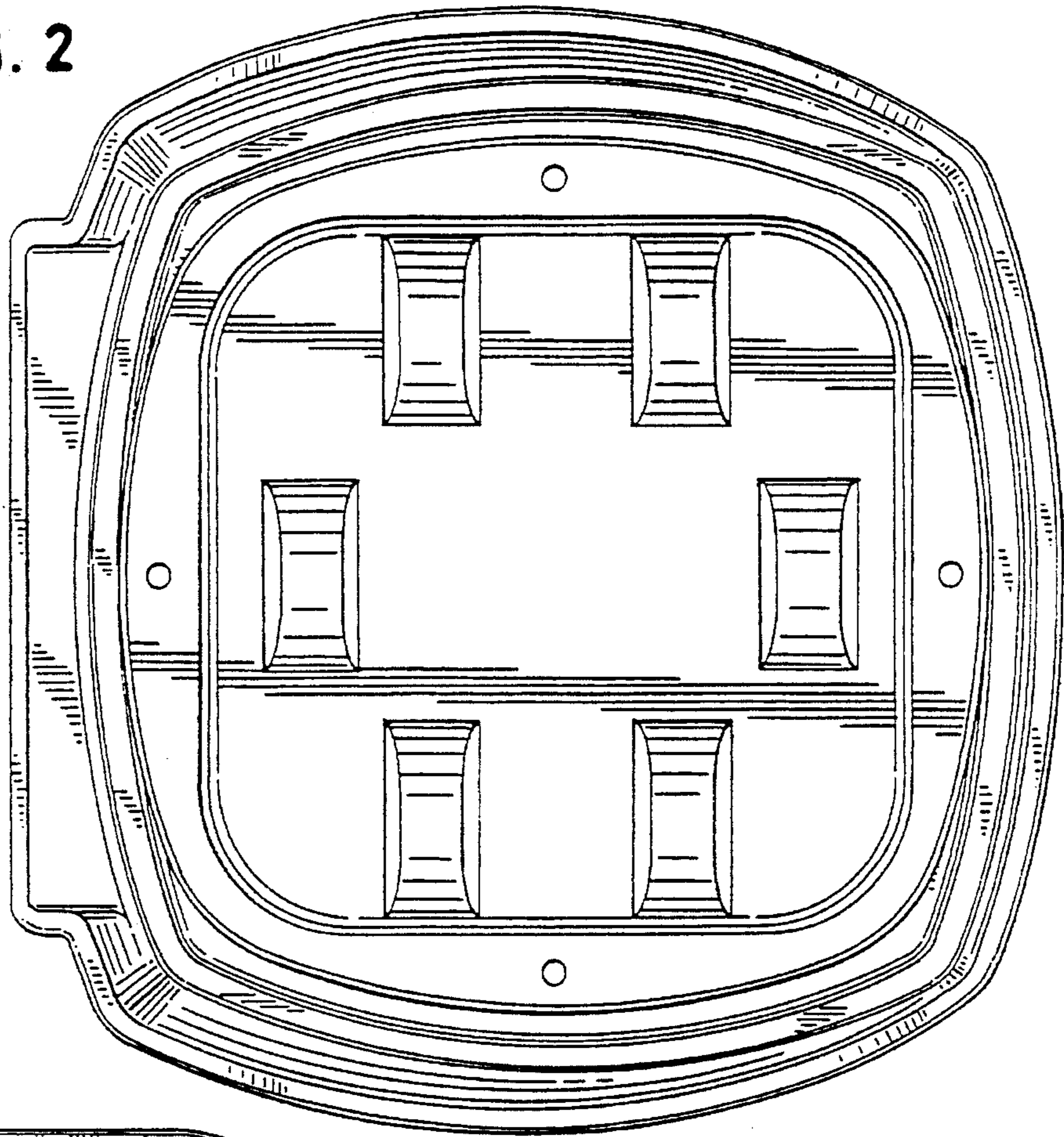


FIG. 3

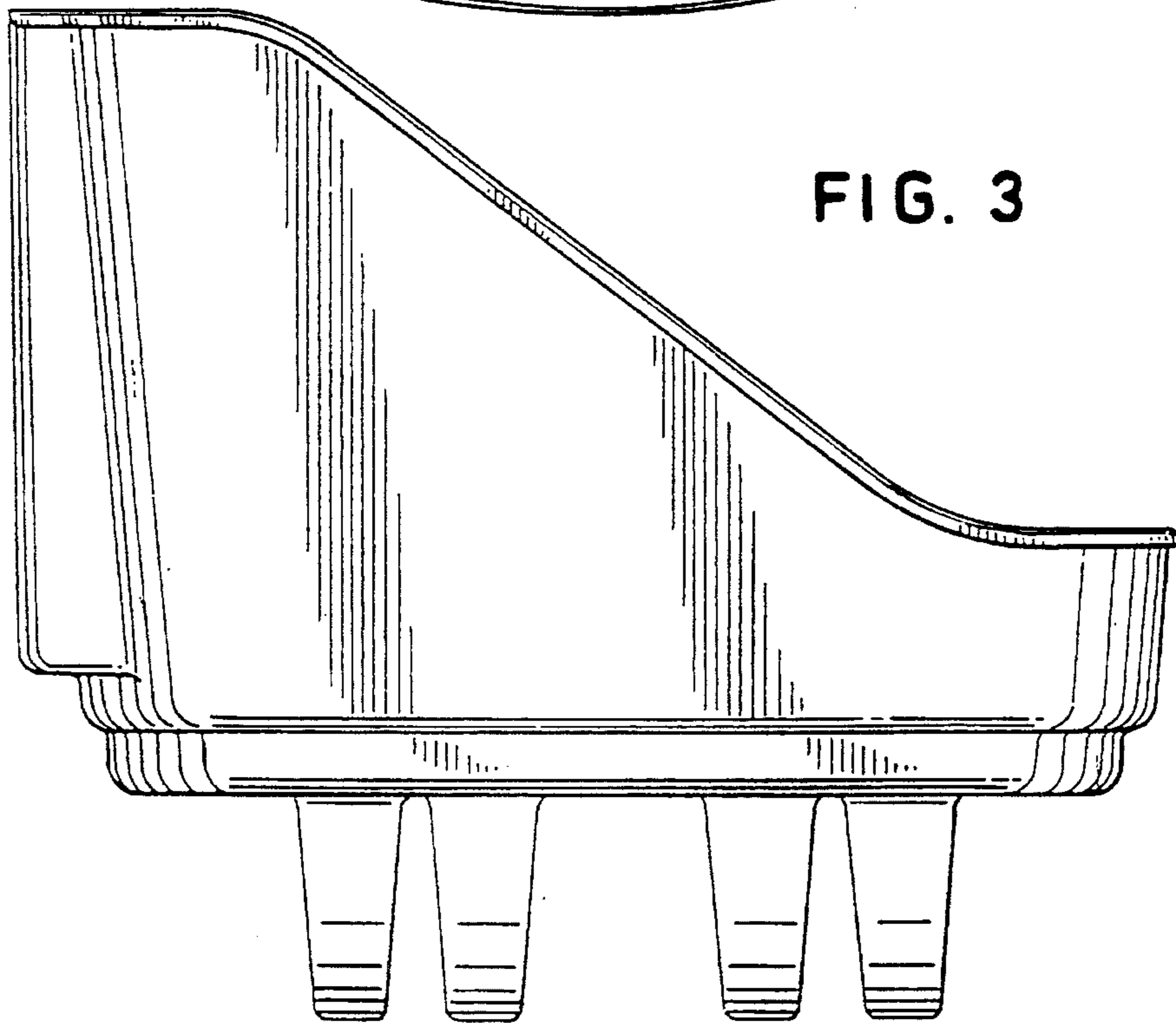


FIG. 4

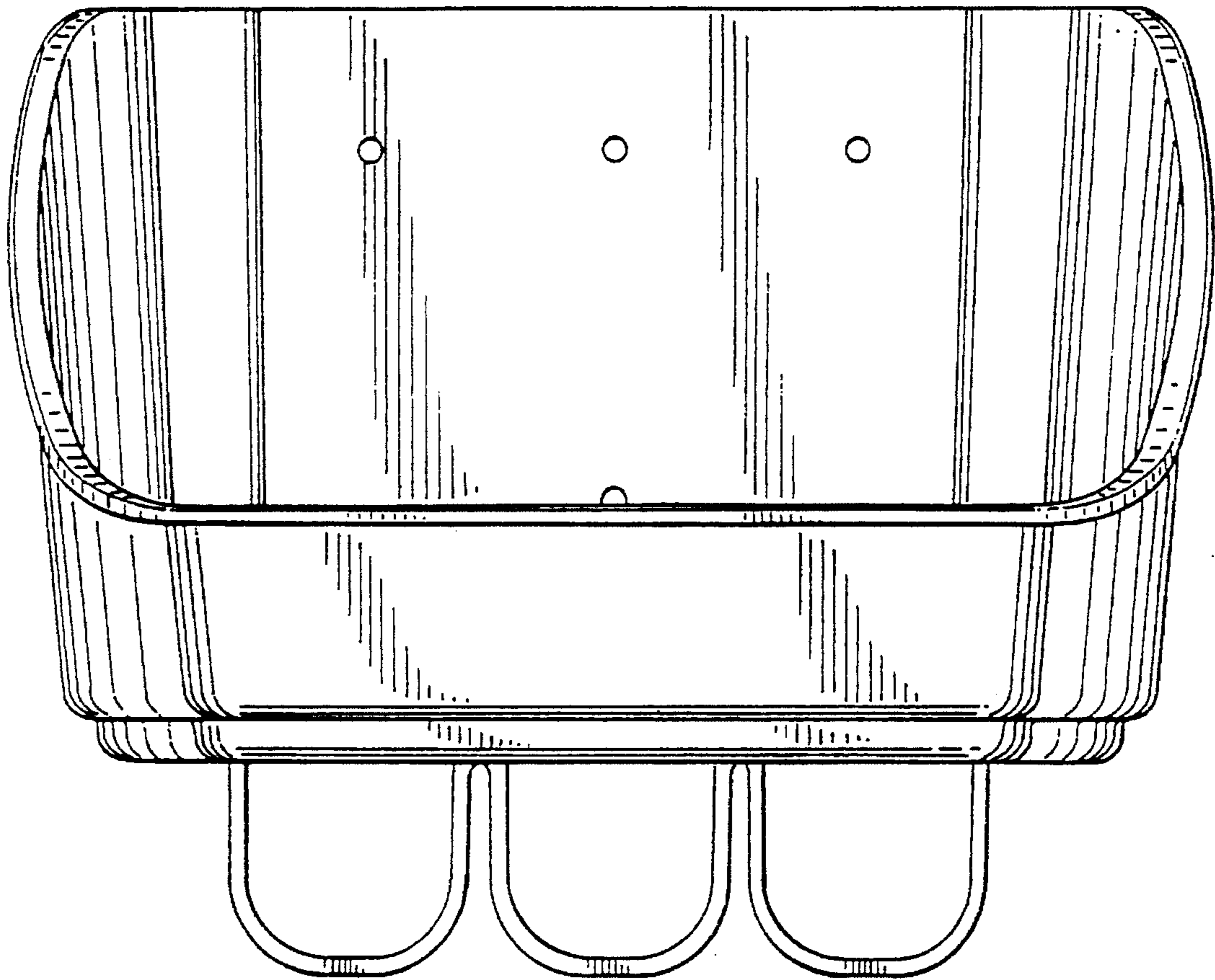


FIG. 5

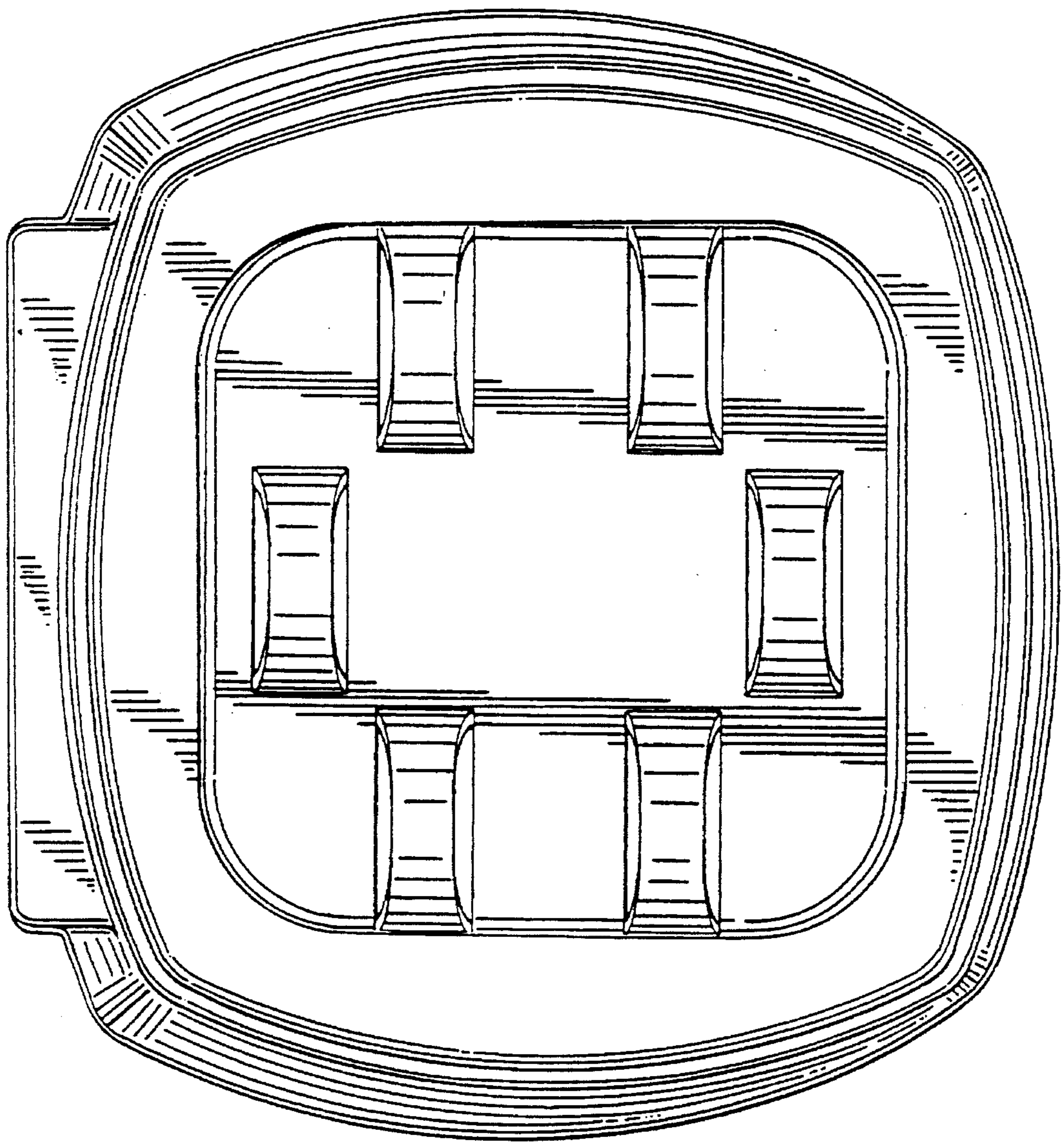


FIG. 6

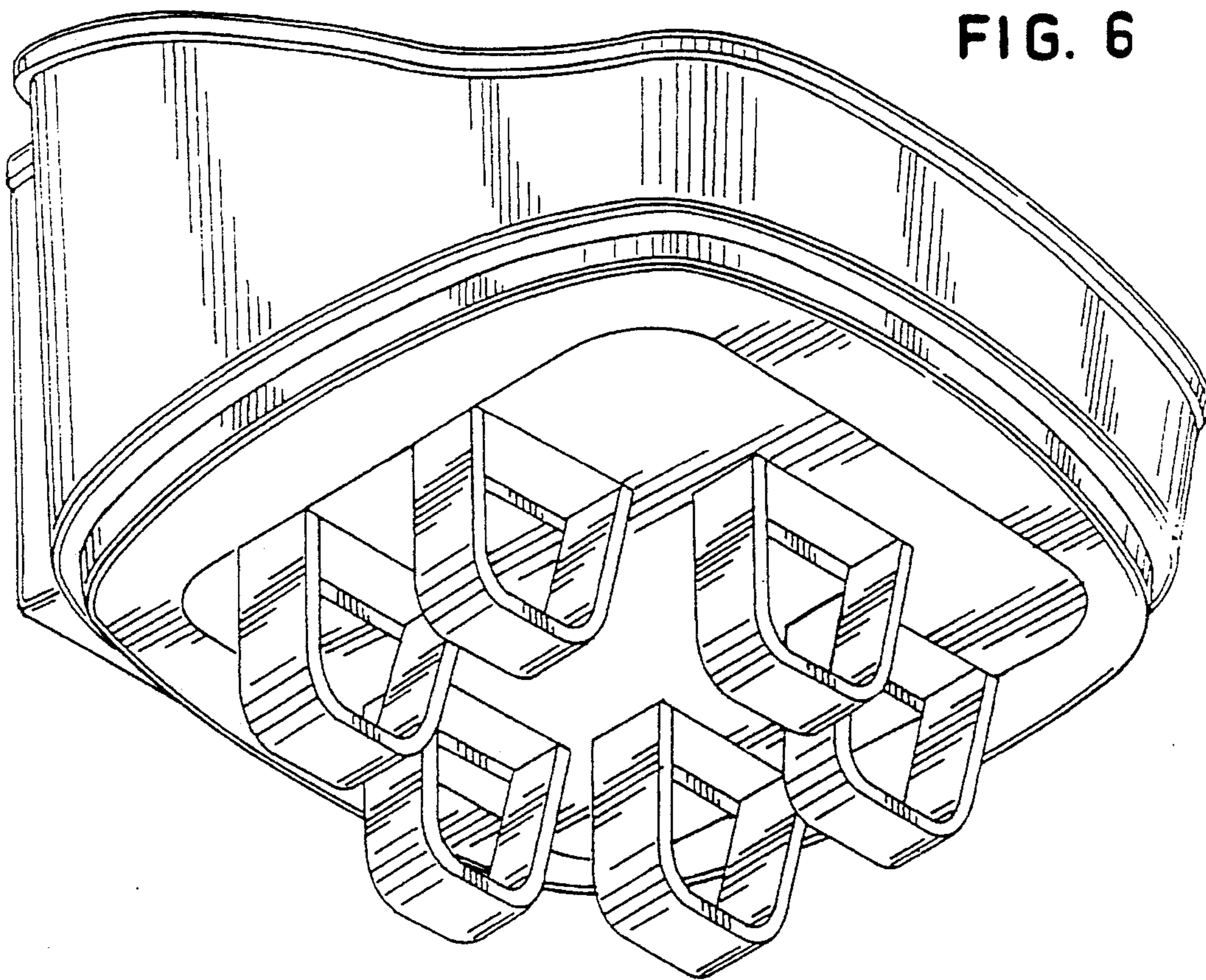


FIG. 7

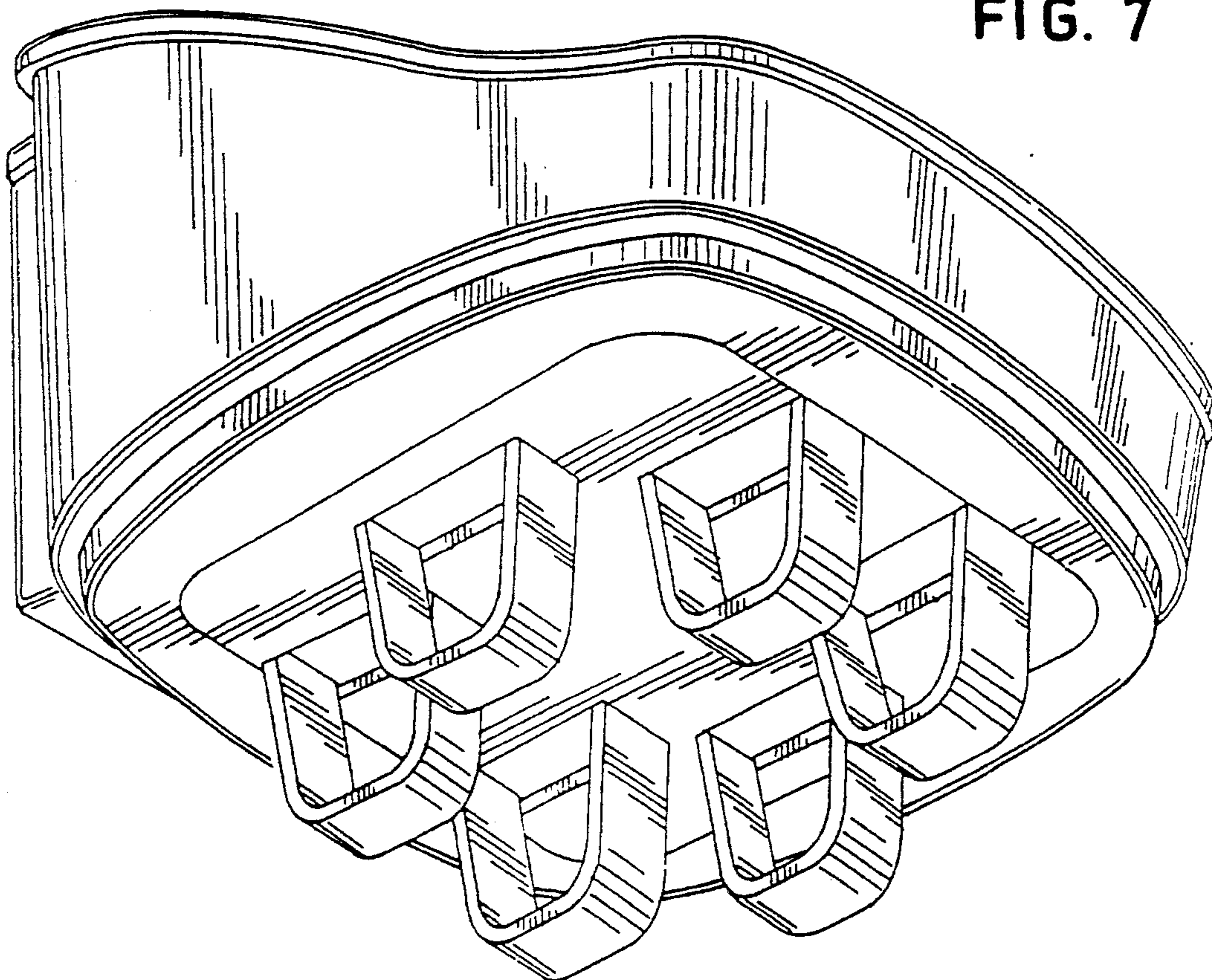


FIG. 8

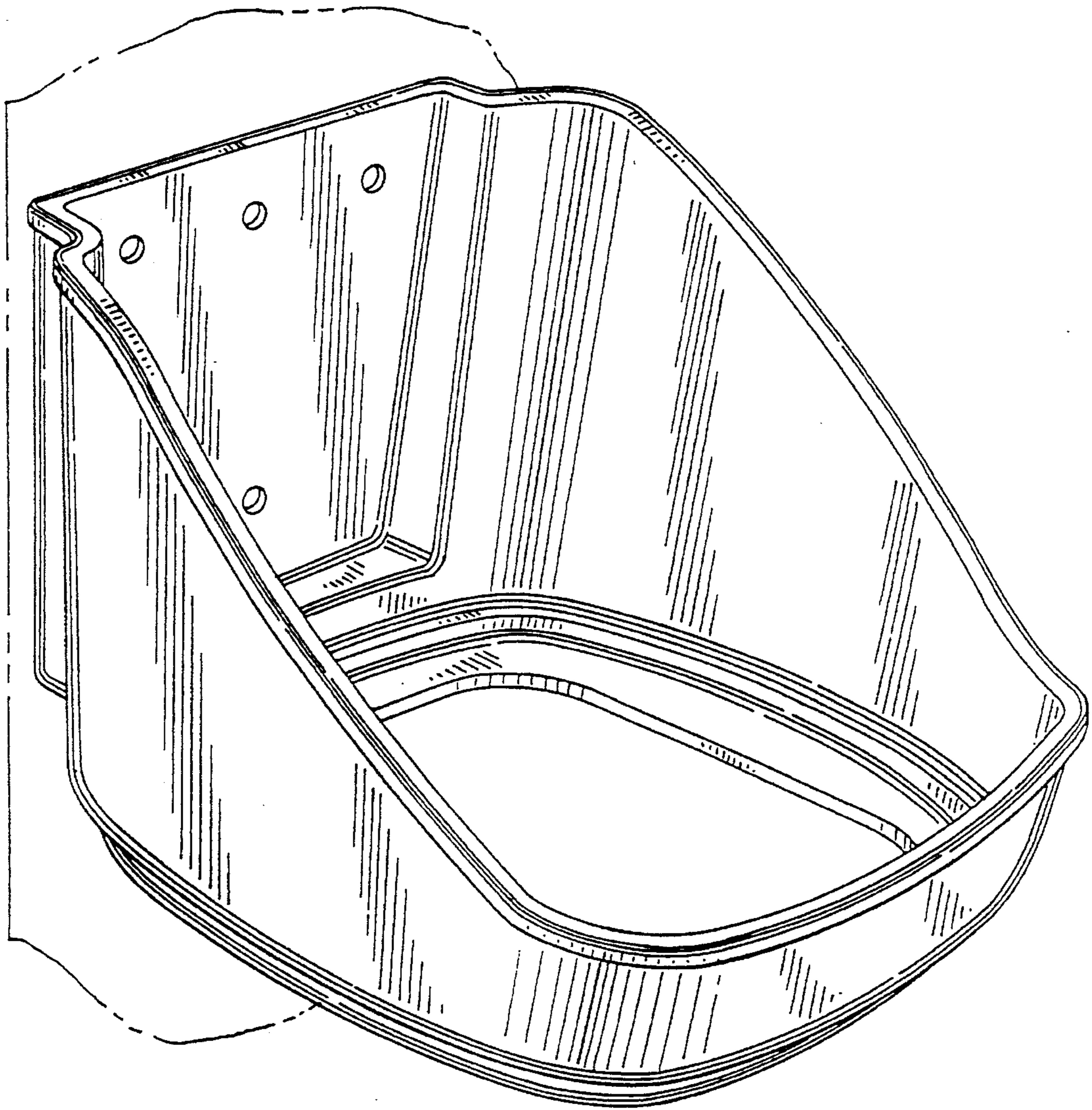


FIG. 9

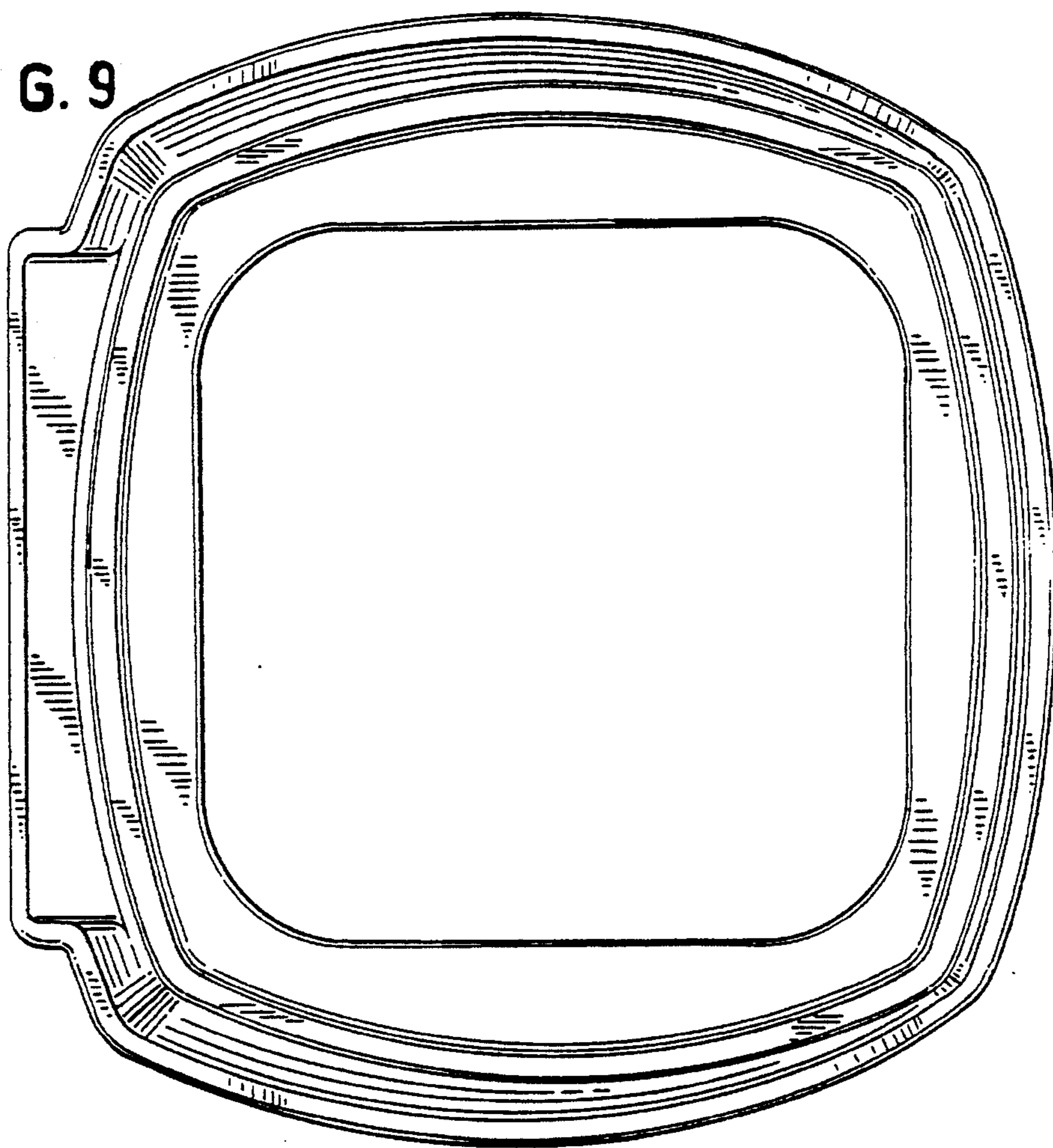


FIG. 10

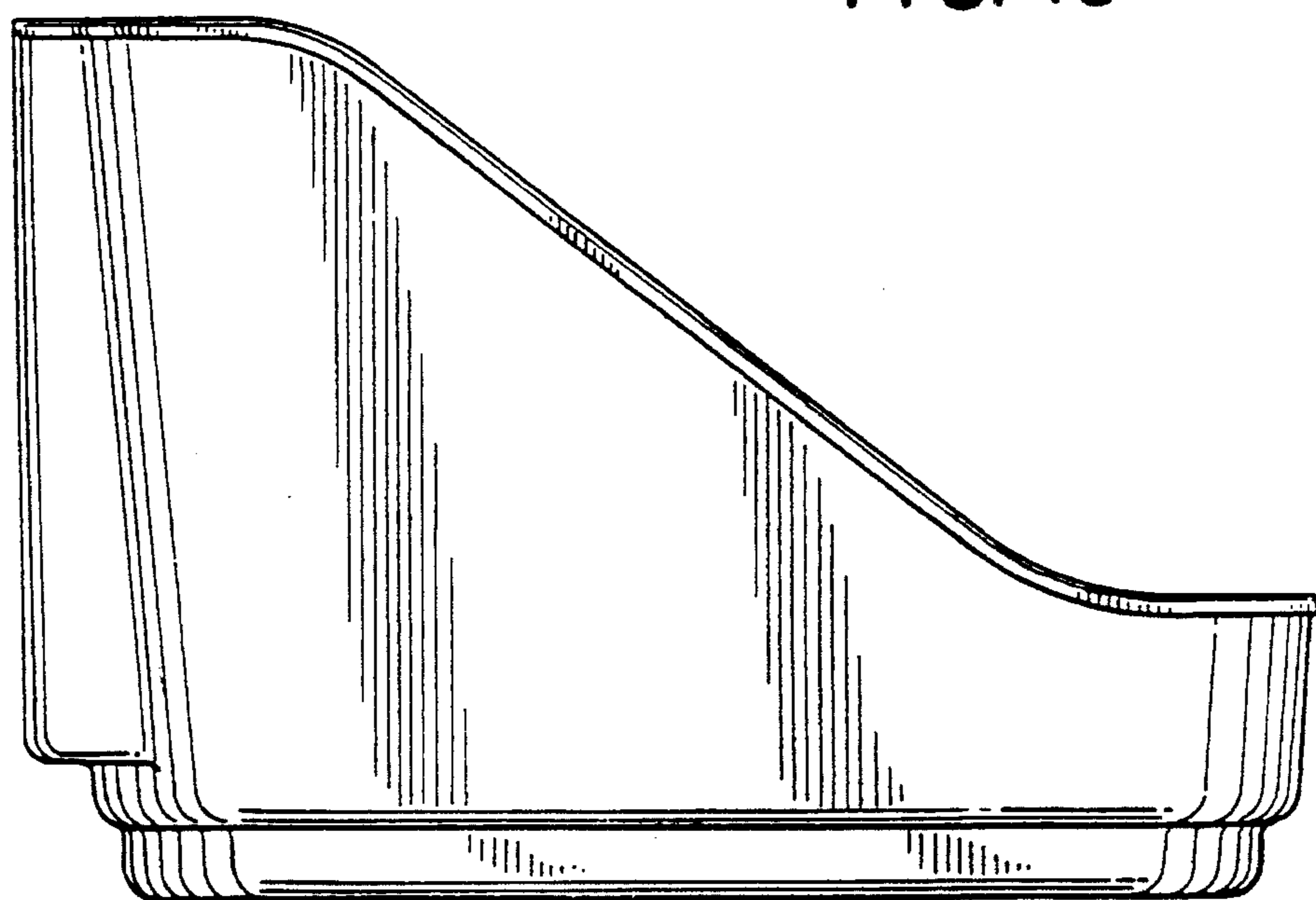


FIG. 11

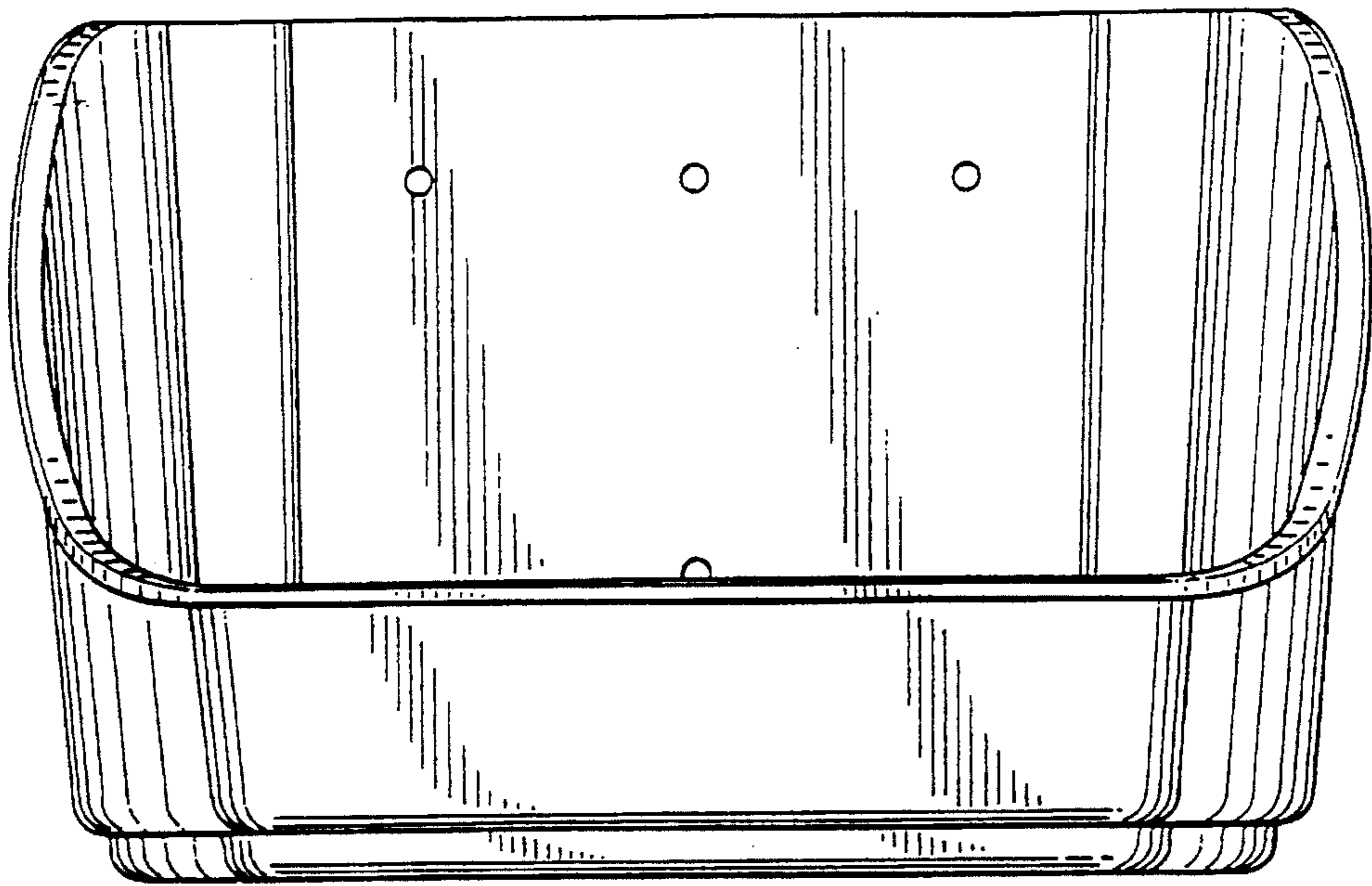


FIG. 12

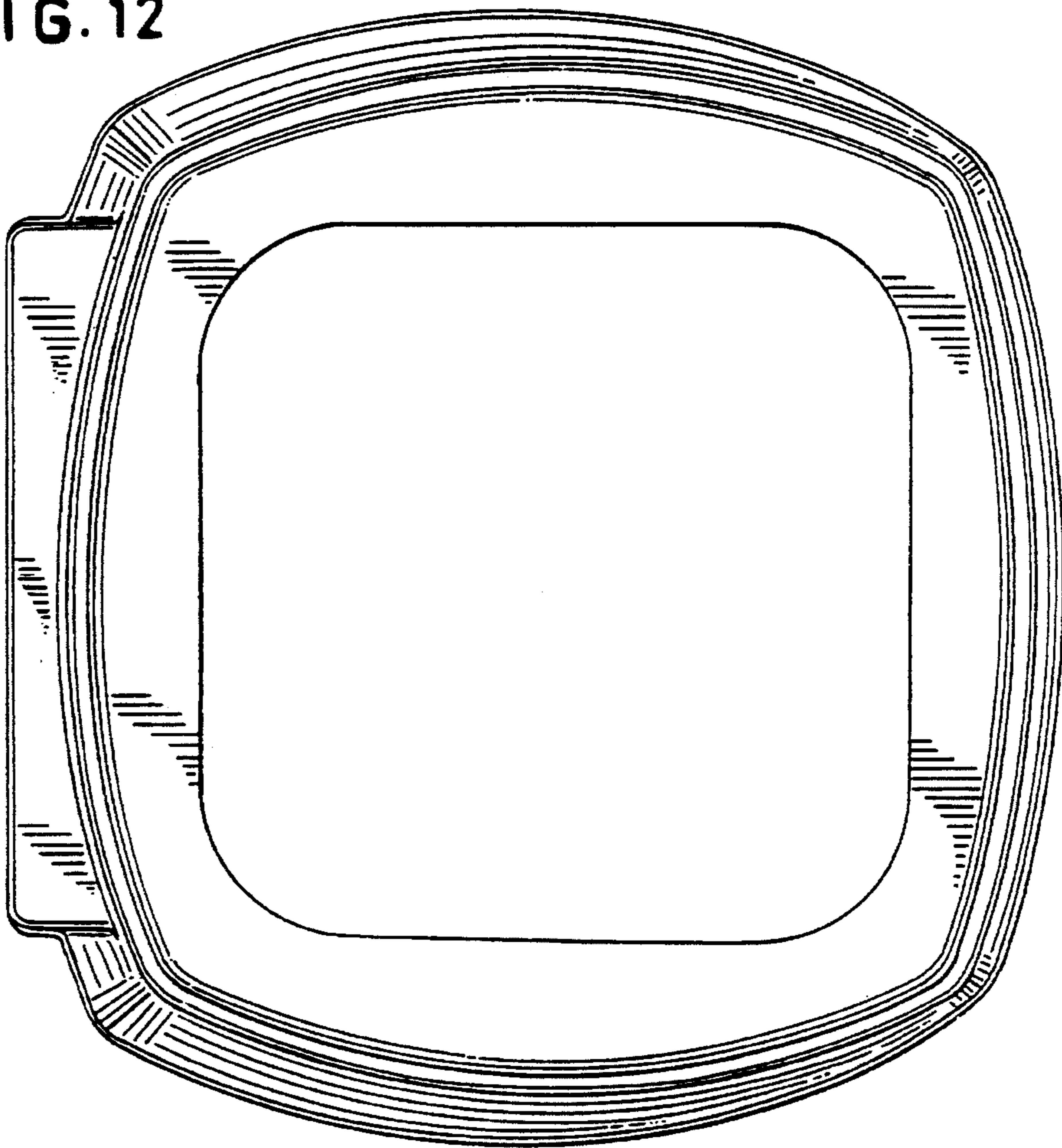


FIG. 13

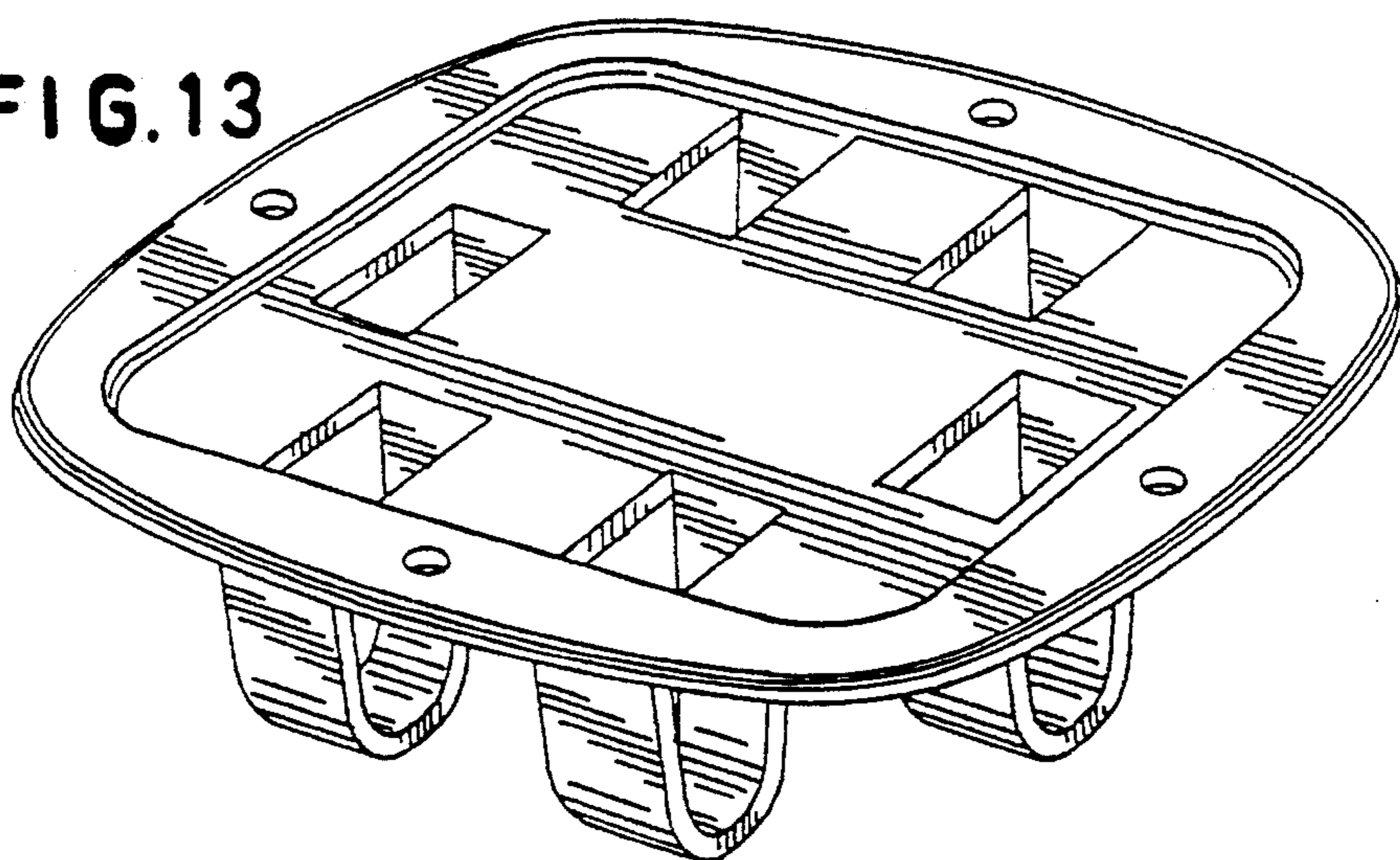


FIG. 14

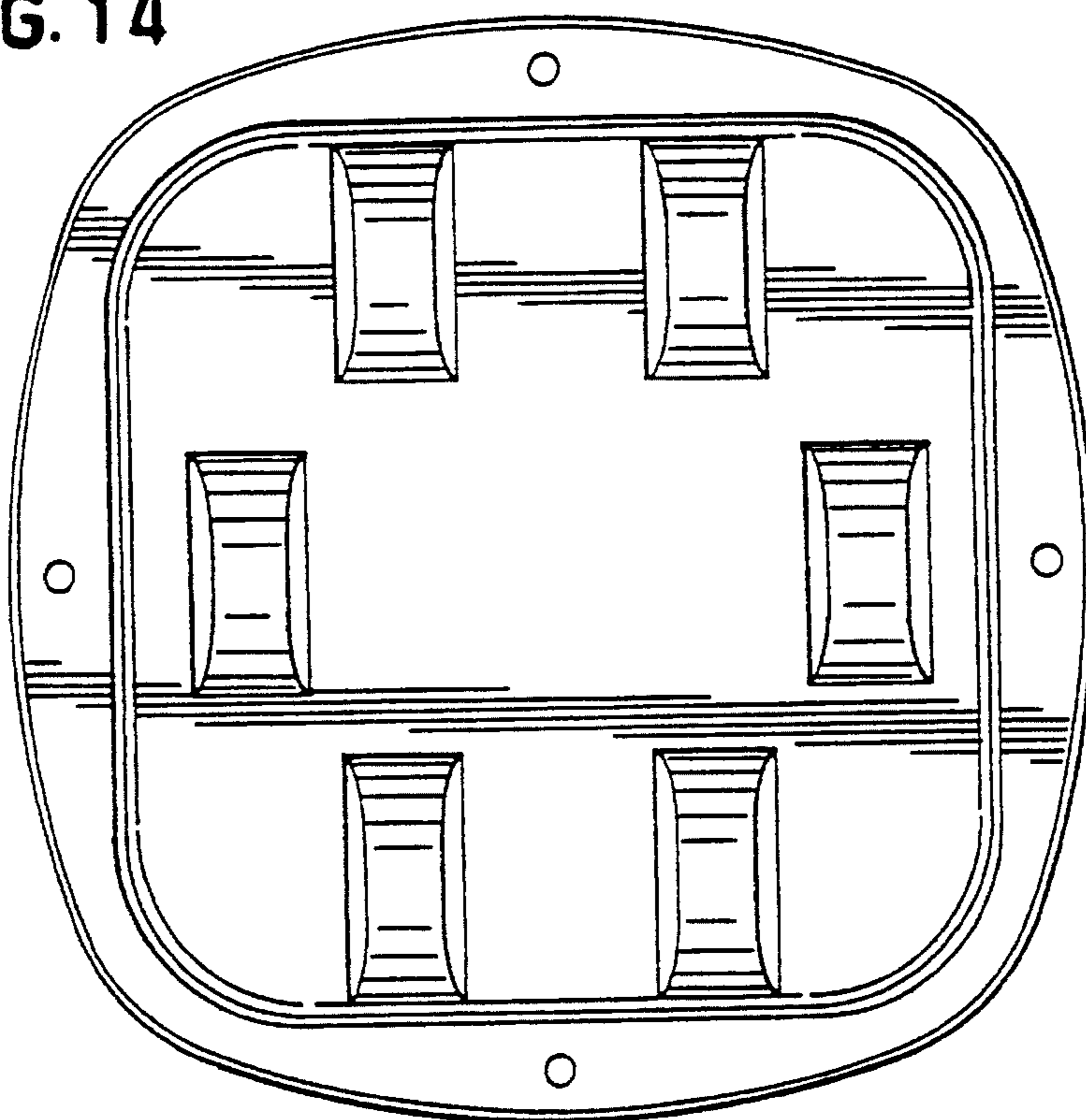


FIG. 15

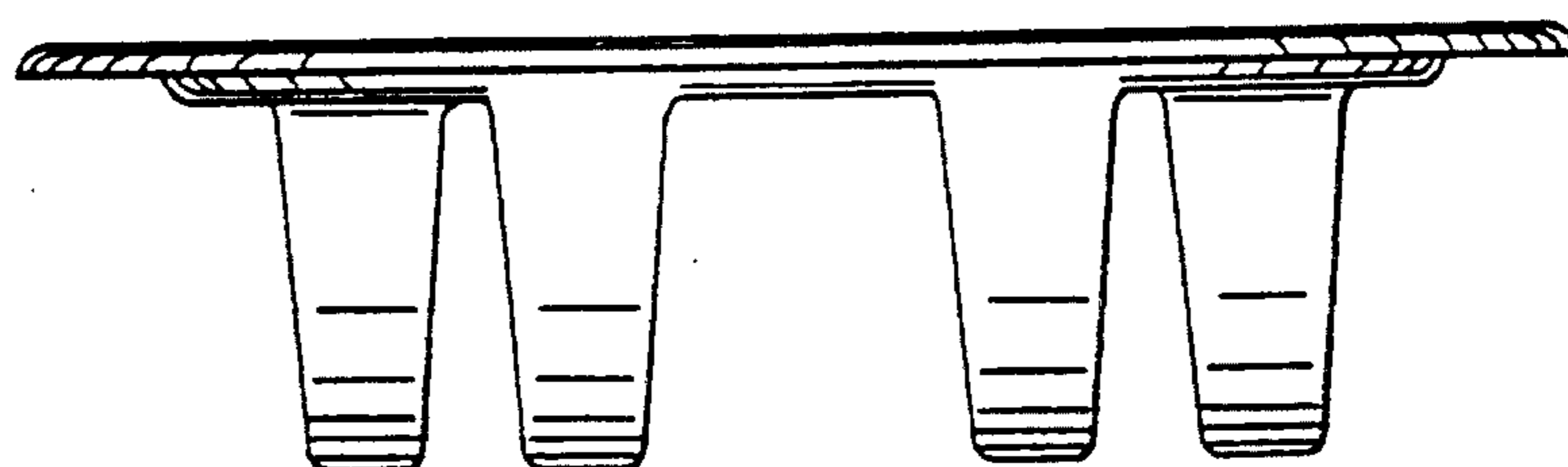


FIG. 16

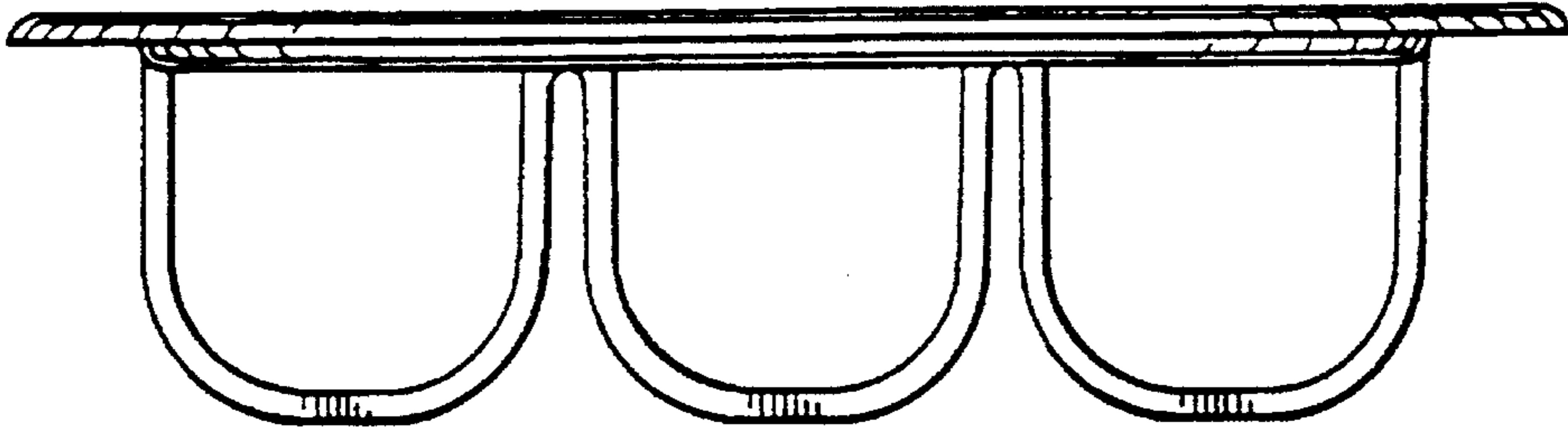


FIG. 17

