



US00D364518S

United States Patent [19]

[11] **Patent Number: Des. 364,518**

Koehler et al.

[45] **Date of Patent: **Nov. 28, 1995**

[54] **QUILT FRAME LEG**

4,811,924 3/1989 Walters .
5,141,197 8/1992 Mackaay .
5,201,488 4/1993 Hadbauny .
5,370,500 12/1994 Thompson 248/125 X

[76] Inventors: **Ralph E. Koehler; Laverne Koehler,**
both of 11555 Waterman Rd.,
Waterman, Ill. 60556

Primary Examiner—Janice E. Seeger

[**] Term: **14 Years**

[57] **CLAIM**

[21] Appl. No.: **24,698**

The ornamental design for the quilt frame leg, as shown and described.

[22] Filed: **Jun. 20, 1994**

[52] U.S. Cl. **D6/495; D6/496; D6/415**

DESCRIPTION

[58] **Field of Search** D6/495-499, 486,
D6/410, 411, 415; 248/676, 125

FIG. 1 is a front elevational view of the quilt frame leg showing our new design;
FIG. 2 is a rear elevational view thereof;
FIG. 3 is a left side elevational view thereof;
FIG. 4 is a right side elevational view thereof;
FIG. 5 is a top plan view thereof;
FIG. 6 is a bottom plan view thereof; and,
FIG. 7 is a perspective view thereof.

[56] **References Cited**

U.S. PATENT DOCUMENTS

D. 173,469	11/1954	Aronson	D6/415
D. 311,288	10/1990	Lee	D6/415
949,535	2/1910	Hamm	248/125
3,955,722	5/1976	Bard	248/125 X
4,042,202	8/1977	Molinari	.	
4,631,878	12/1986	Laramore	.	

1 Claim, 4 Drawing Sheets

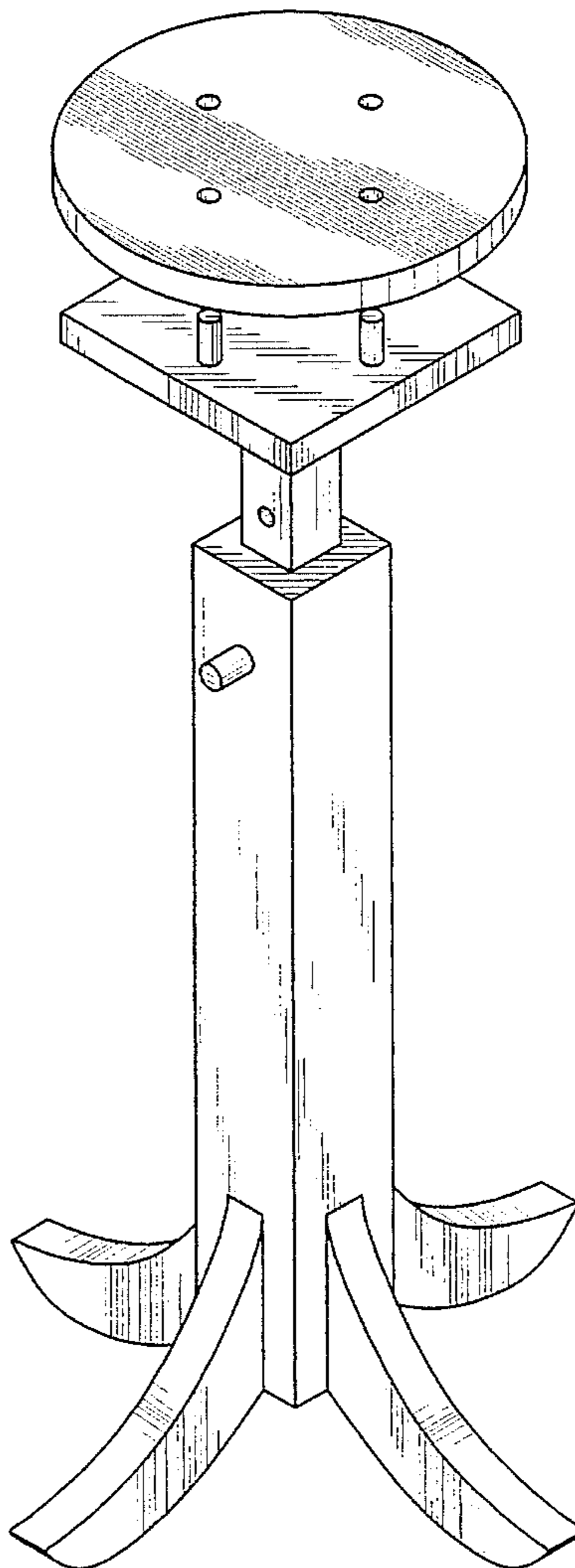


FIG. 1

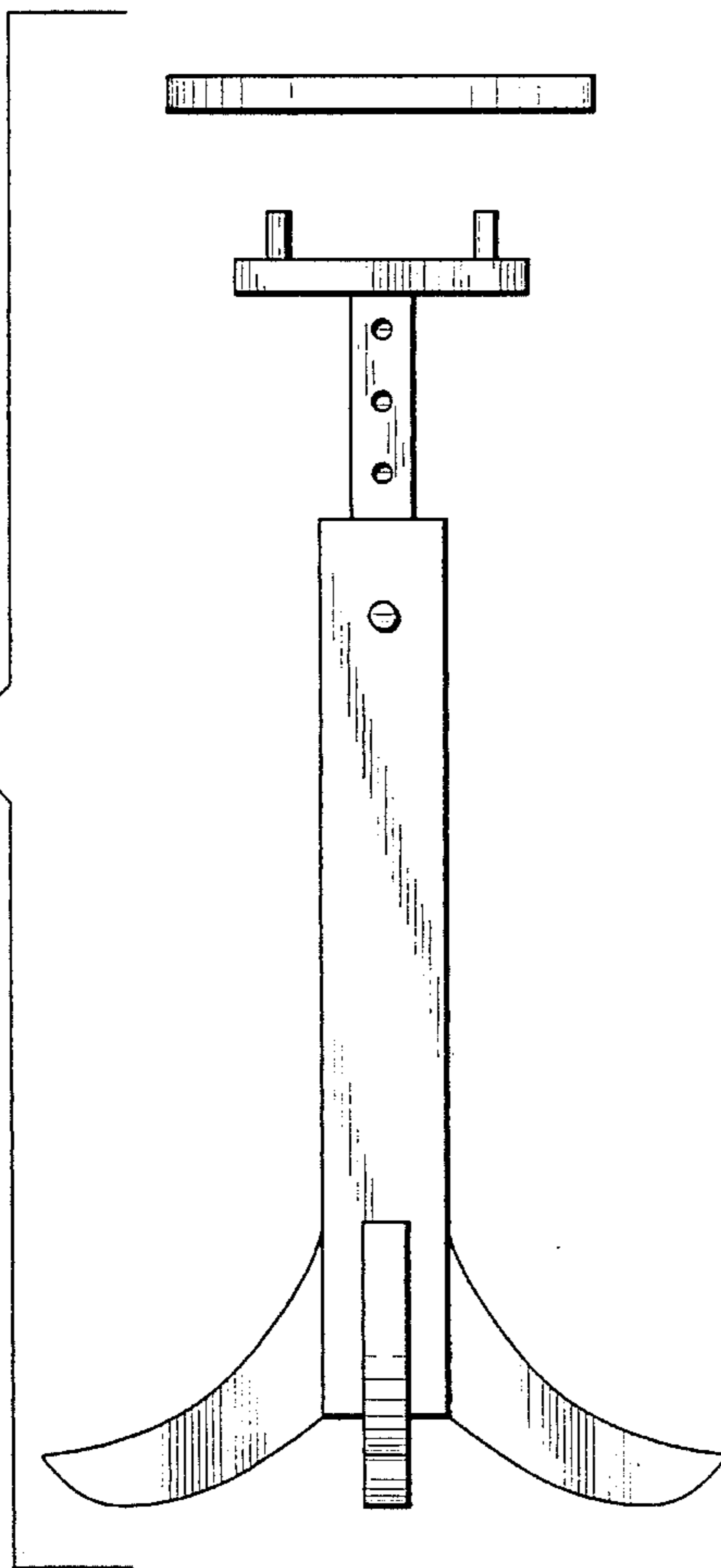


FIG. 2

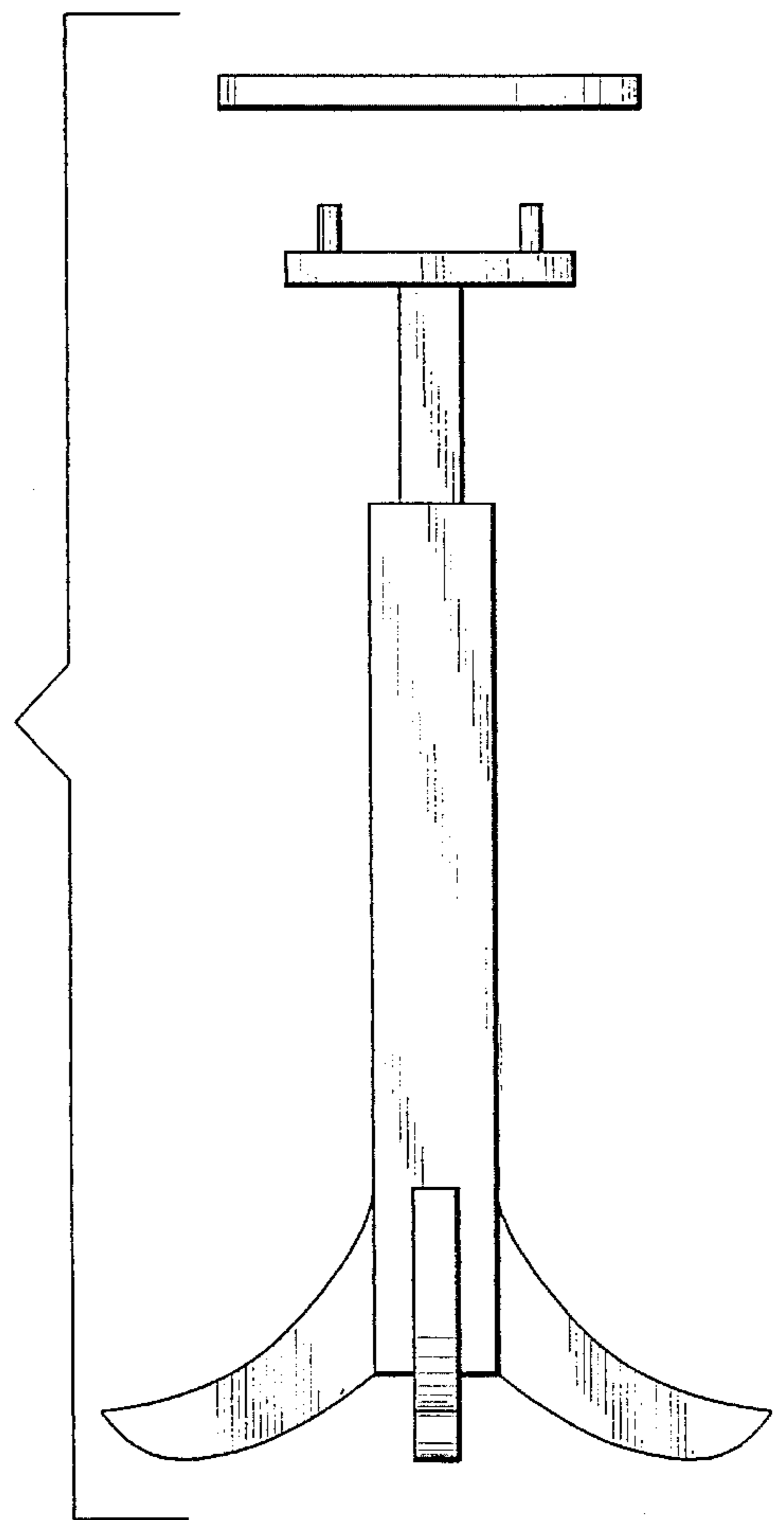


FIG. 3

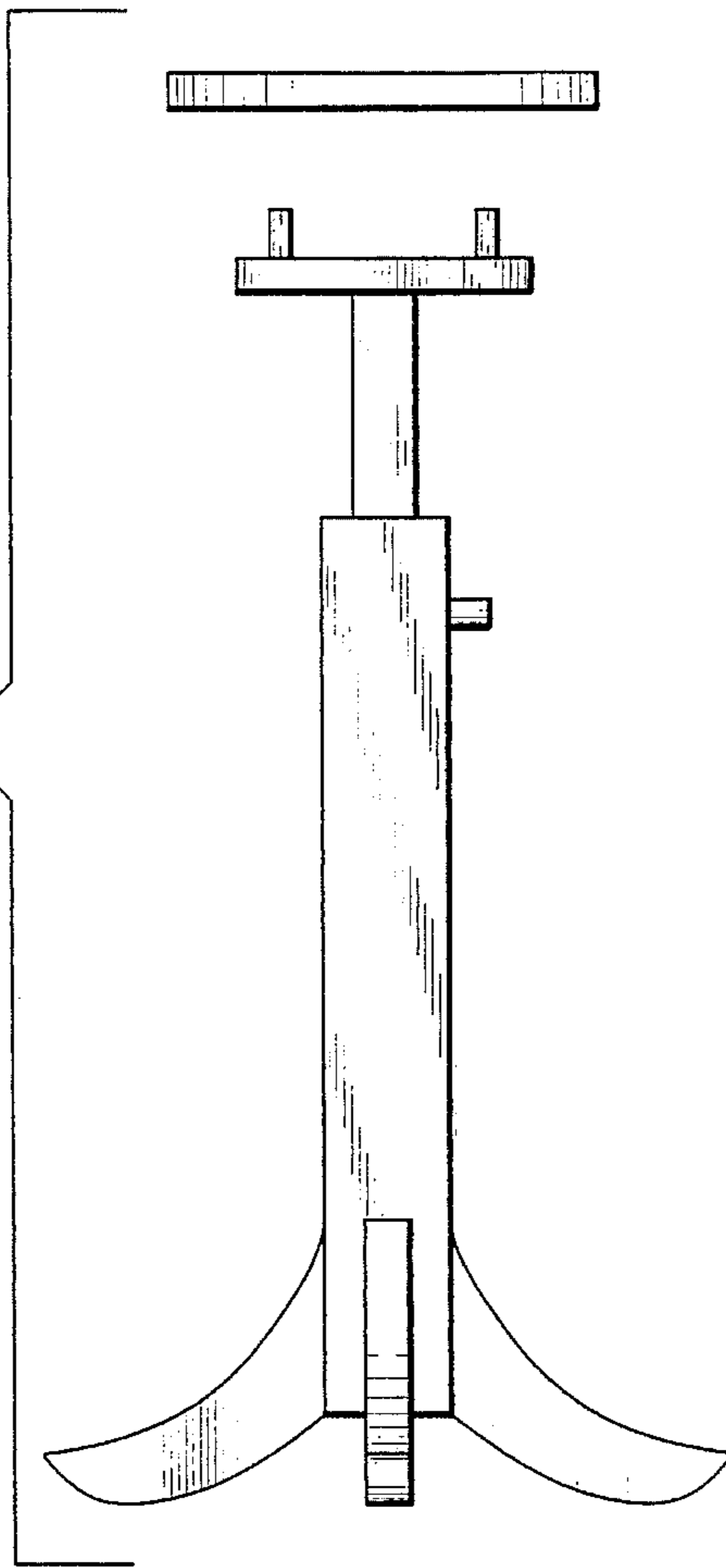


FIG. 4

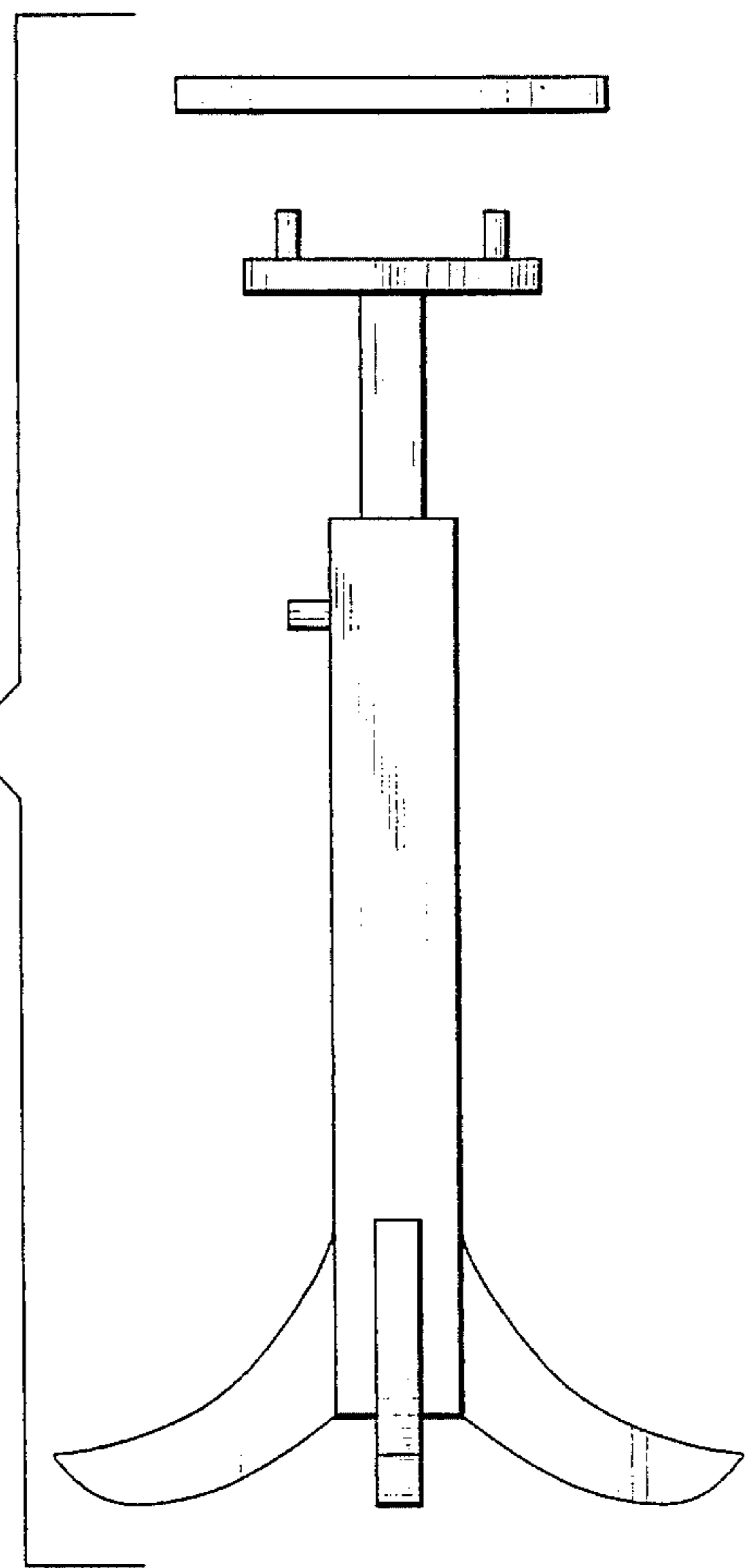


FIG. 5

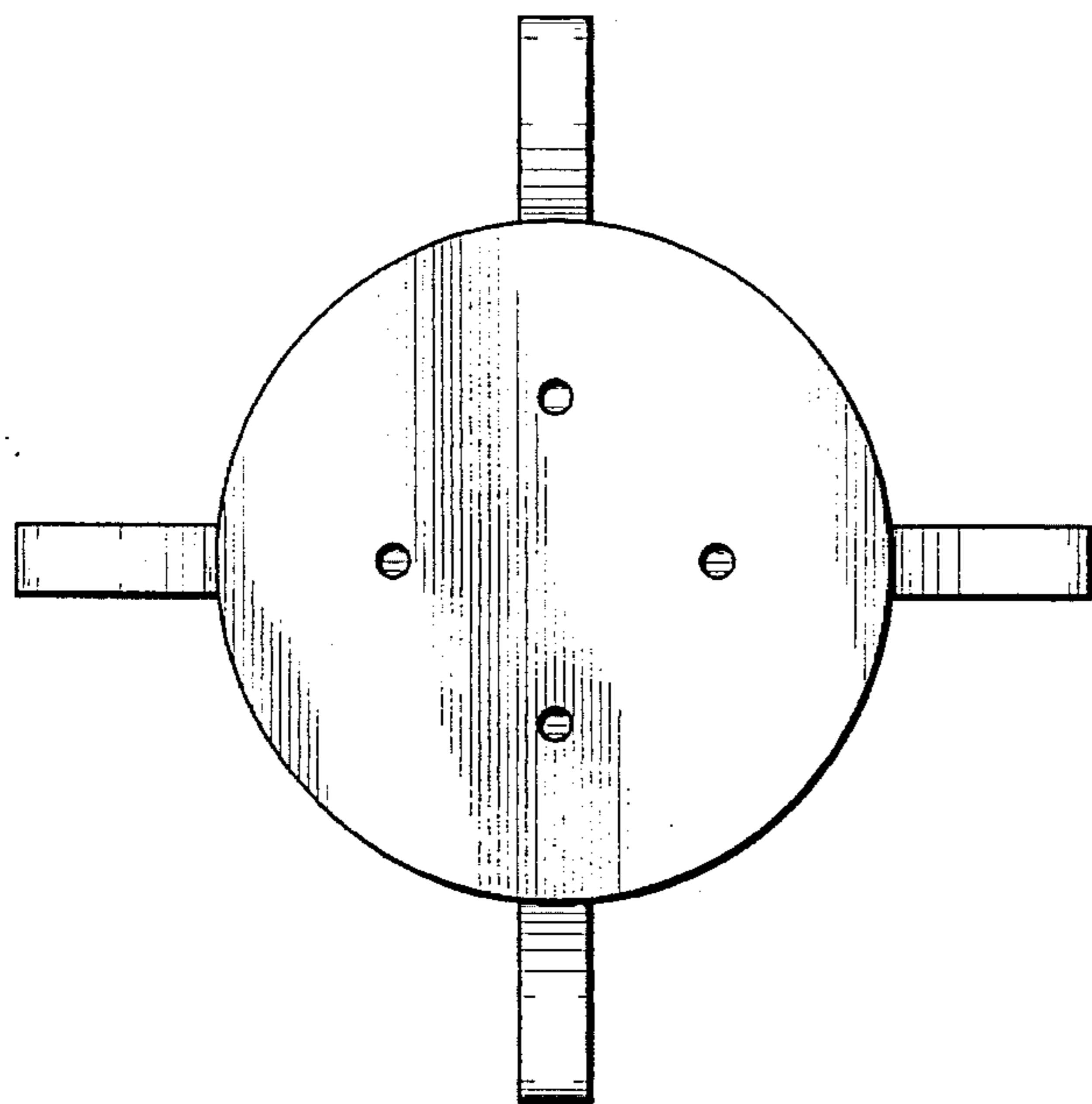


FIG. 6

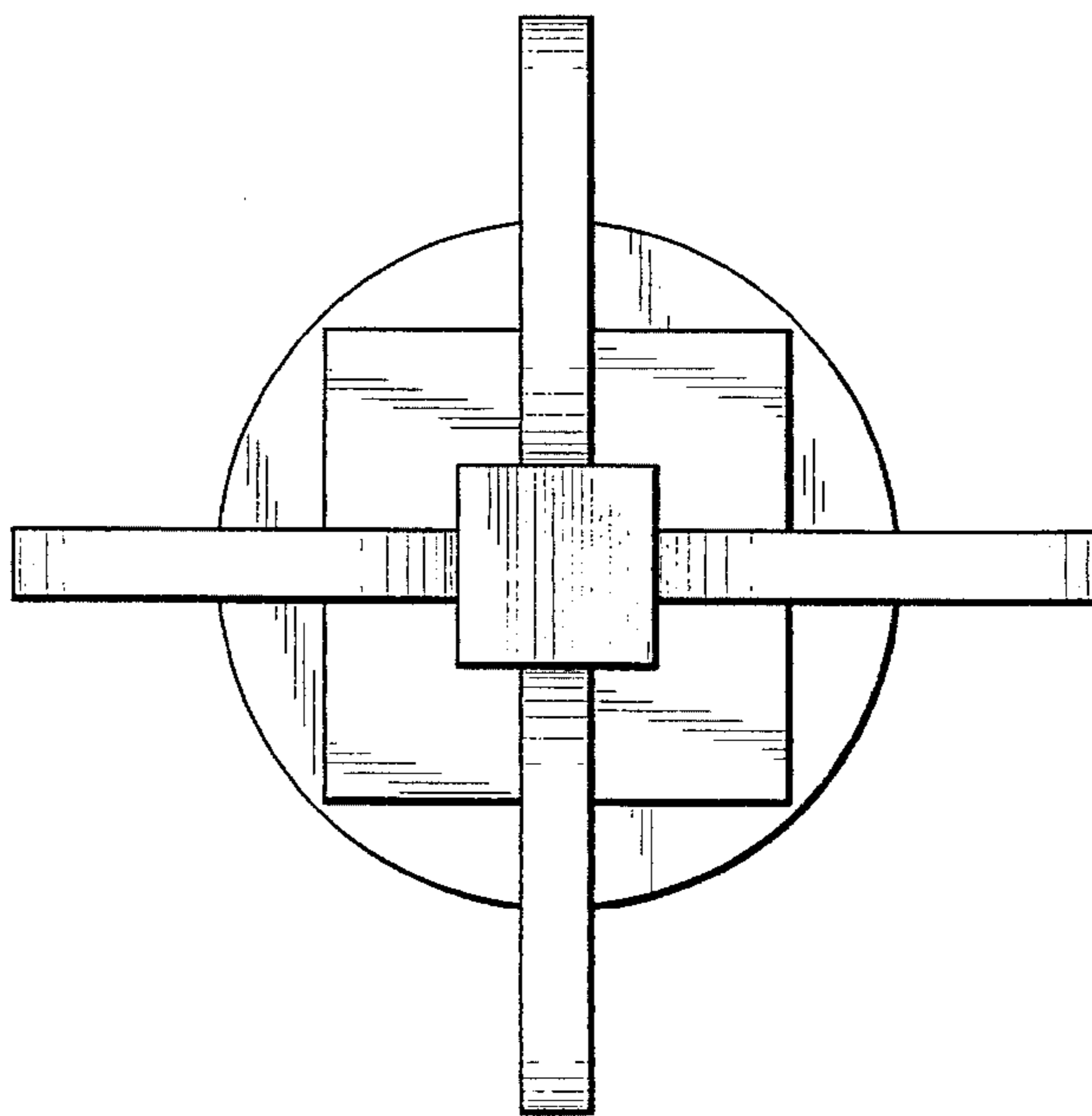


FIG. 7

