



US00D364517S

United States Patent [19]

[11] Patent Number: **Des. 364,517**

Martinez

[45] Date of Patent: ****Nov. 28, 1995**

[54] **INDEXABLE VERTICAL BOOKSHELF FOR OVERSIZED BOOKS**

[76] Inventor: **Beatrice E. Martinez**, 1401 Middlebury Dr., Alexandria, Va. 22307

[**] Term: **14 Years**

[21] Appl. No.: **10,315**

[22] Filed: **Jul. 6, 1993**

[52] U.S. Cl. **D6/467**

[58] Field of Search D6/449, 450, 474, D6/475, 476; 206/424, 503; 211/133, 126, 10, 11, 13; 312/233

4,241,955	12/1980	Armistead .	
4,322,118	3/1982	Shugart .	
4,735,469	4/1988	Liggett	312/233
4,993,558	2/1991	Assaei .	
5,127,717	7/1992	Martinez .	

Primary Examiner—Alan P. Douglas
Assistant Examiner—S. Snapp
Attorney, Agent, or Firm—Oliff & Berridge

[57] CLAIM

The ornamental design for an indexable vertical bookshelf for oversized books, as shown and described.

DESCRIPTION

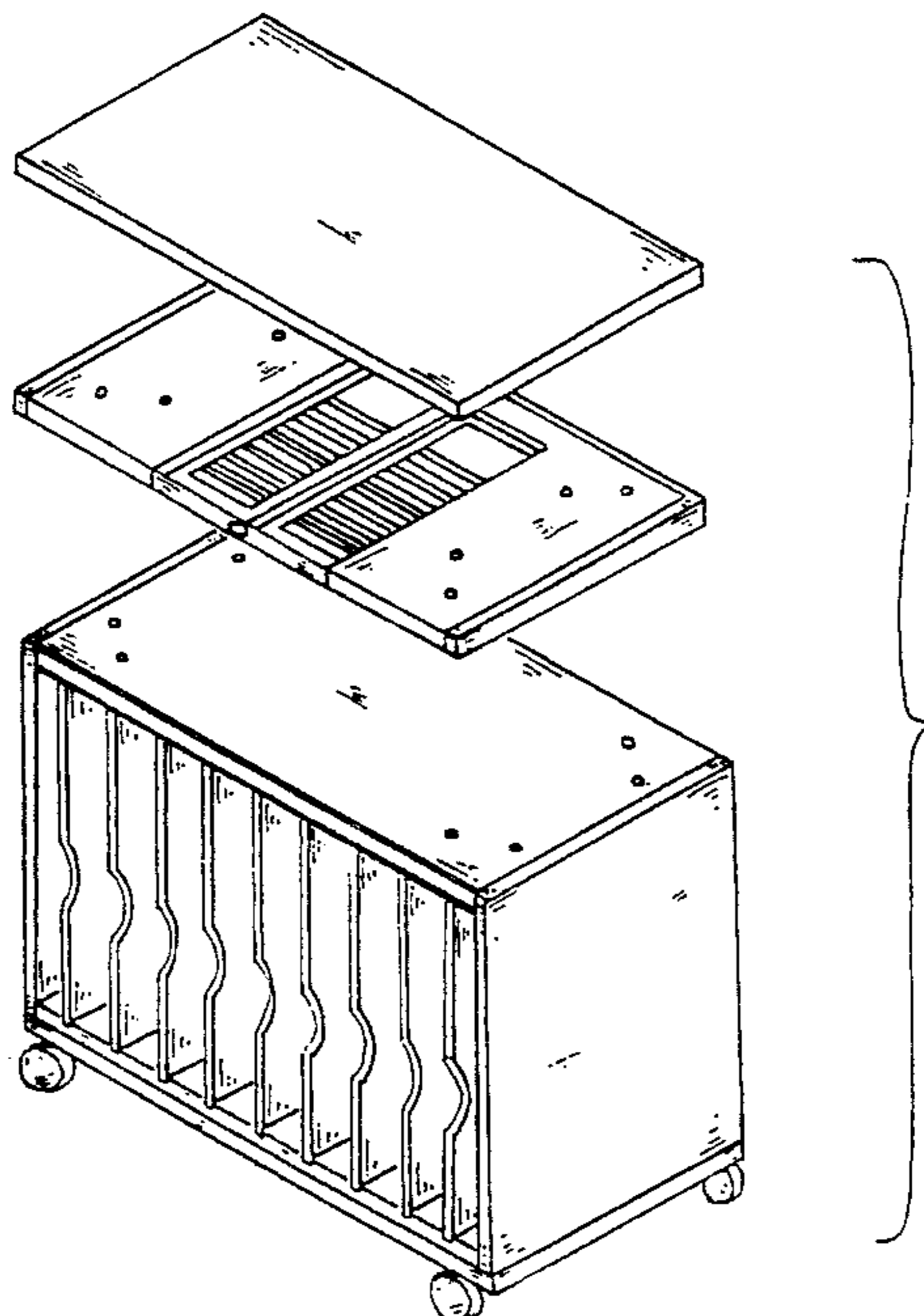
FIG. 1 is a top plan view of an indexable vertical bookshelf embodying my new design;
 FIG. 2 is a right side view thereof, the left side being a mirror image of the side shown;
 FIG. 3 is a front side view thereof;
 FIG. 4 is a back side view thereof;
 FIG. 5 is a bottom plan view thereof utilizing caster wheels;
 FIG. 6 is an alternative bottom view thereof utilizing adjustable guides;
 FIG. 7 is an exploded perspective view showing all of the components of the indexable vertical bookshelf, including, a cabinet module, a card index module having a removable indexing drawer, and a top module (the woodgrain has been omitted from this view to better show the structural appearance of the design);
 FIG. 8 is a front side view of the indexable vertical bookshelf without the index drawer; and,
 FIG. 9 is an enlarged partial perspective view of the top left front corner of the cabinet module of the indexable vertical bookshelf showing the detail of a recessed label holder.
 FIGS. 7 and 9 are provided for convenience of illustration.

[56] References Cited

U.S. PATENT DOCUMENTS

D. 142,526	2/1945	Myers .	
D. 157,990	4/1950	Mannen	D6/440
D. 204,044	3/1966	Bayly	D6/470
D. 293,528	1/1988	Handler et al.	D6/449
881,363	3/1908	Vickers .	
1,116,524	11/1914	Willman .	
1,454,714	5/1923	Finocchiaro .	
1,656,868	1/1928	Davis et al. .	
1,891,814	12/1932	Haskins	312/233
2,660,506	11/1953	Wright	211/13 X
2,719,069	9/1955	Roberson .	
2,888,811	6/1959	Hargrave .	
2,944,859	7/1960	Ivanoff .	
3,012,348	12/1961	Smith .	
3,080,203	3/1963	Graham .	
3,167,873	2/1965	Toms .	
3,408,128	10/1968	Kump .	
3,610,429	10/1971	MacKay	211/133
3,851,938	12/1974	McCowan et al.	211/133 X
4,124,261	11/1978	Klaus	312/233 X
4,145,100	3/1979	Klaus .	
4,236,768	12/1980	Morrone .	

1 Claim, 5 Drawing Sheets



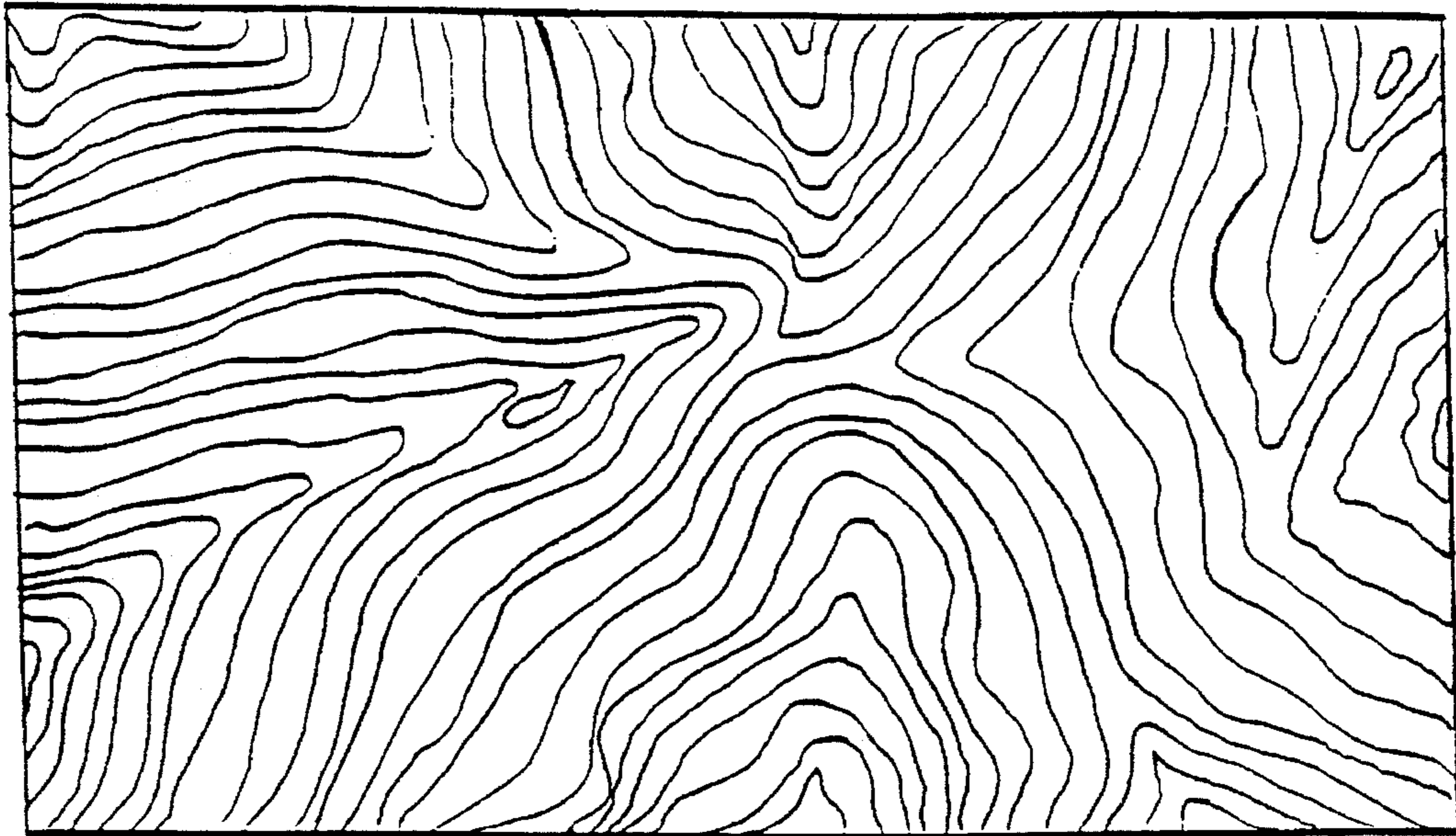


FIG. 1

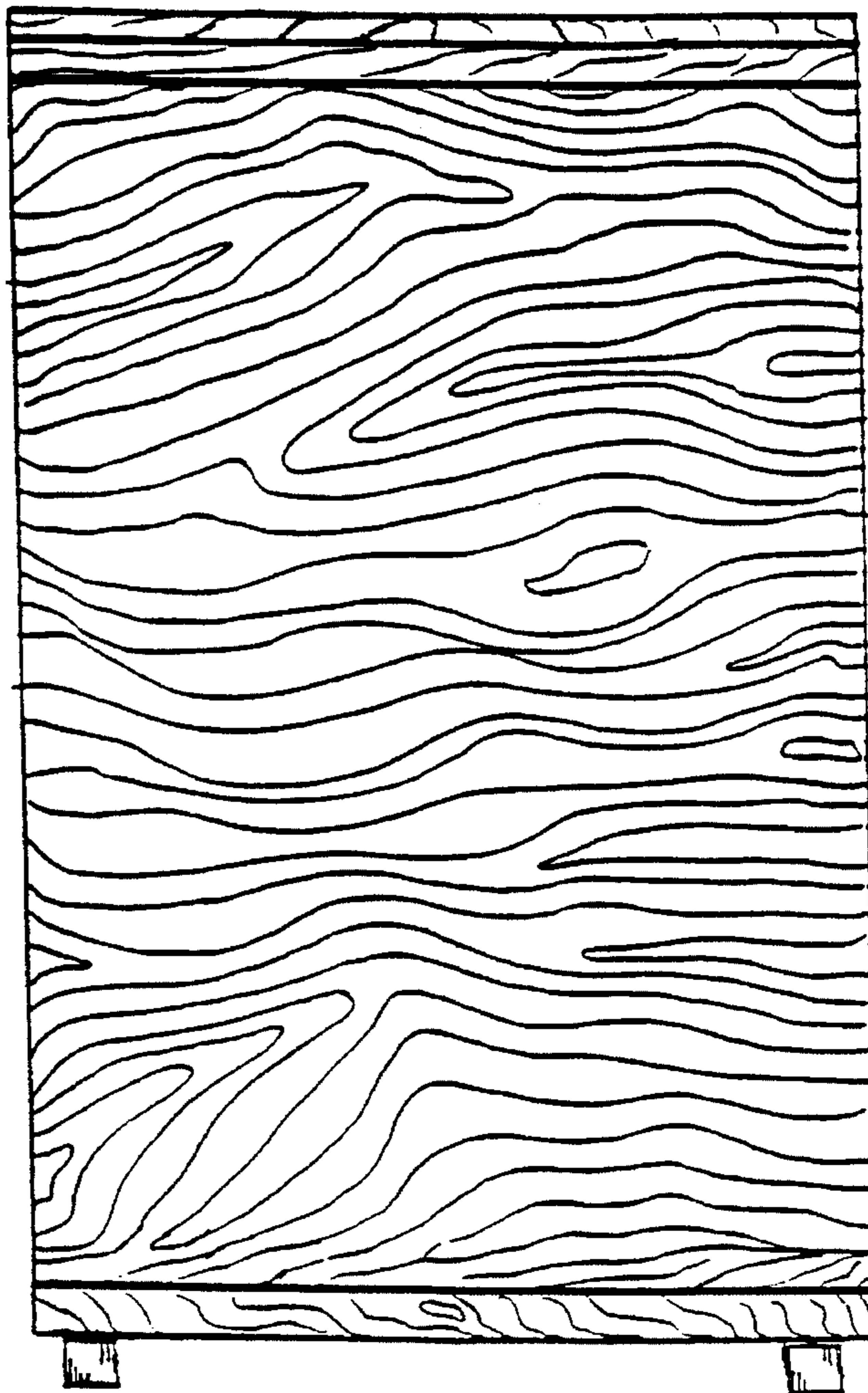


FIG. 2

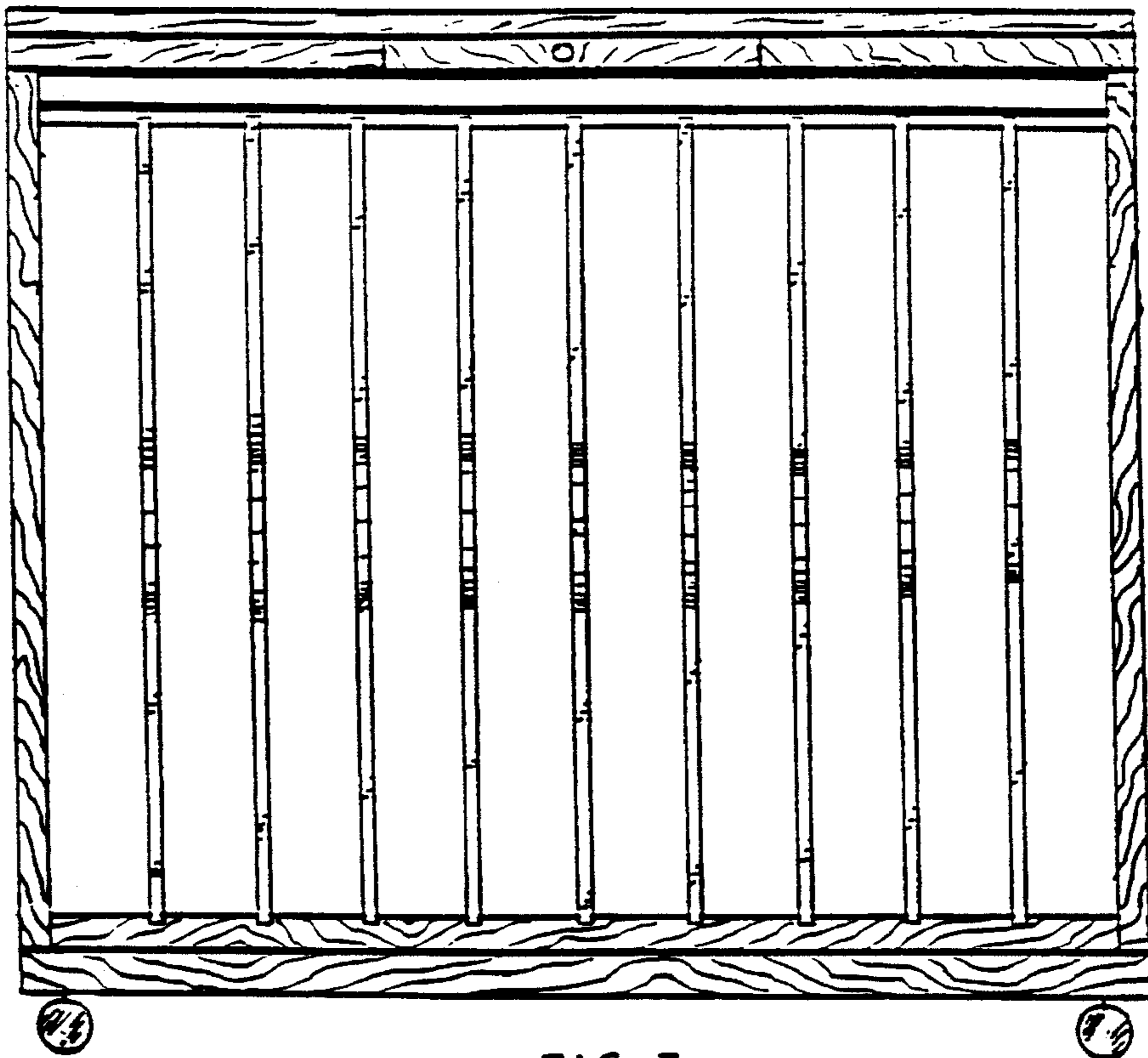


FIG. 3

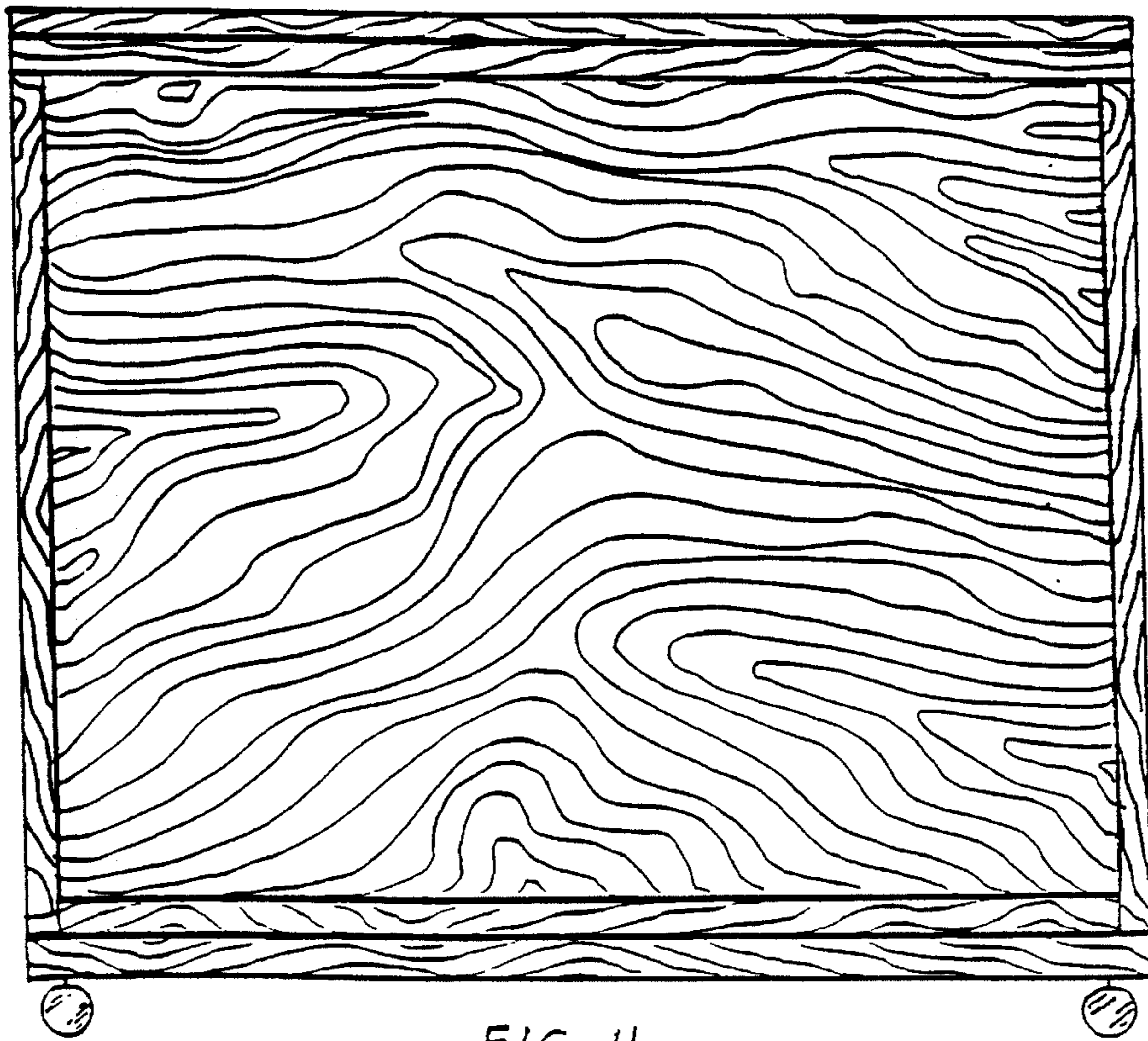


FIG. 4

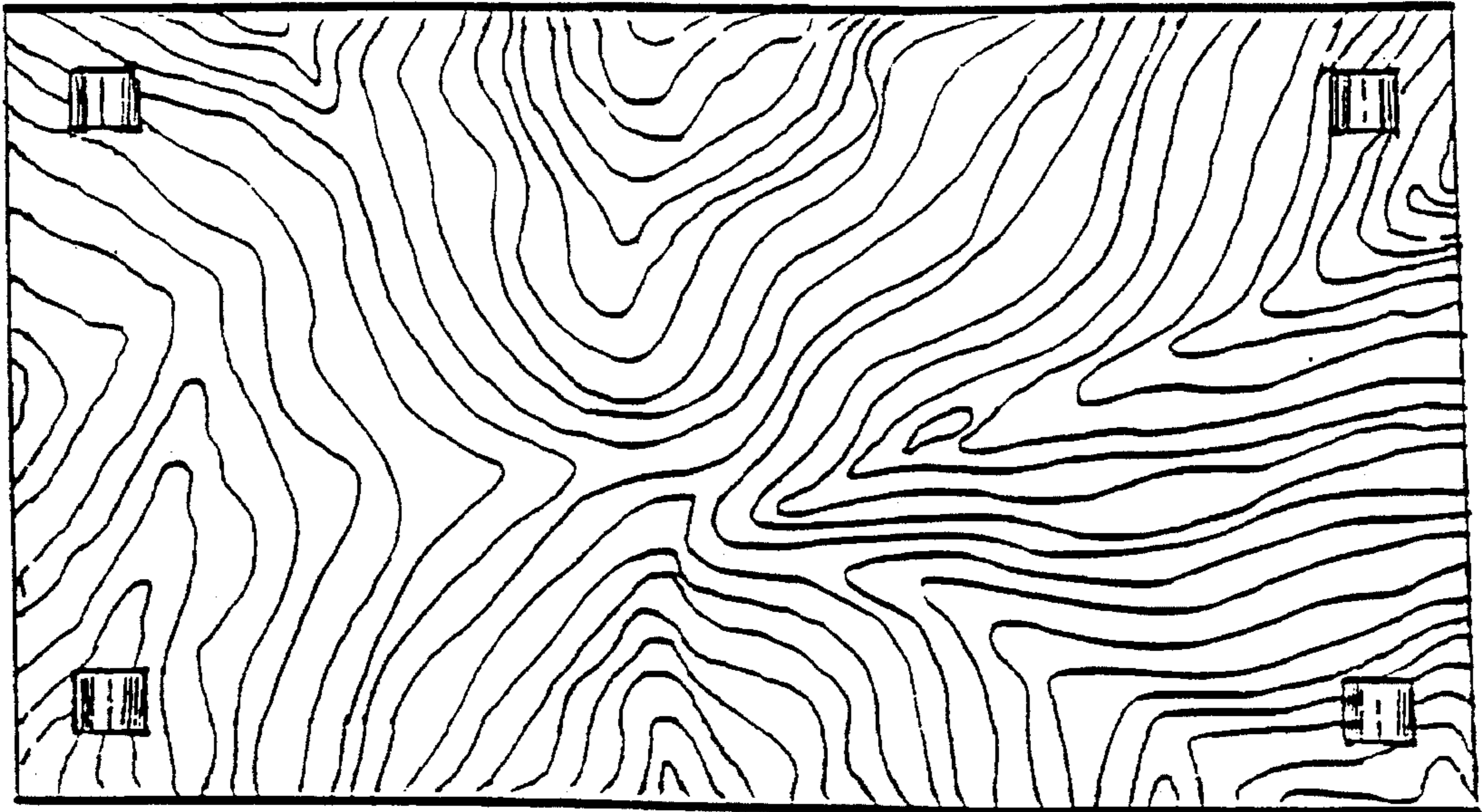


FIG. 5

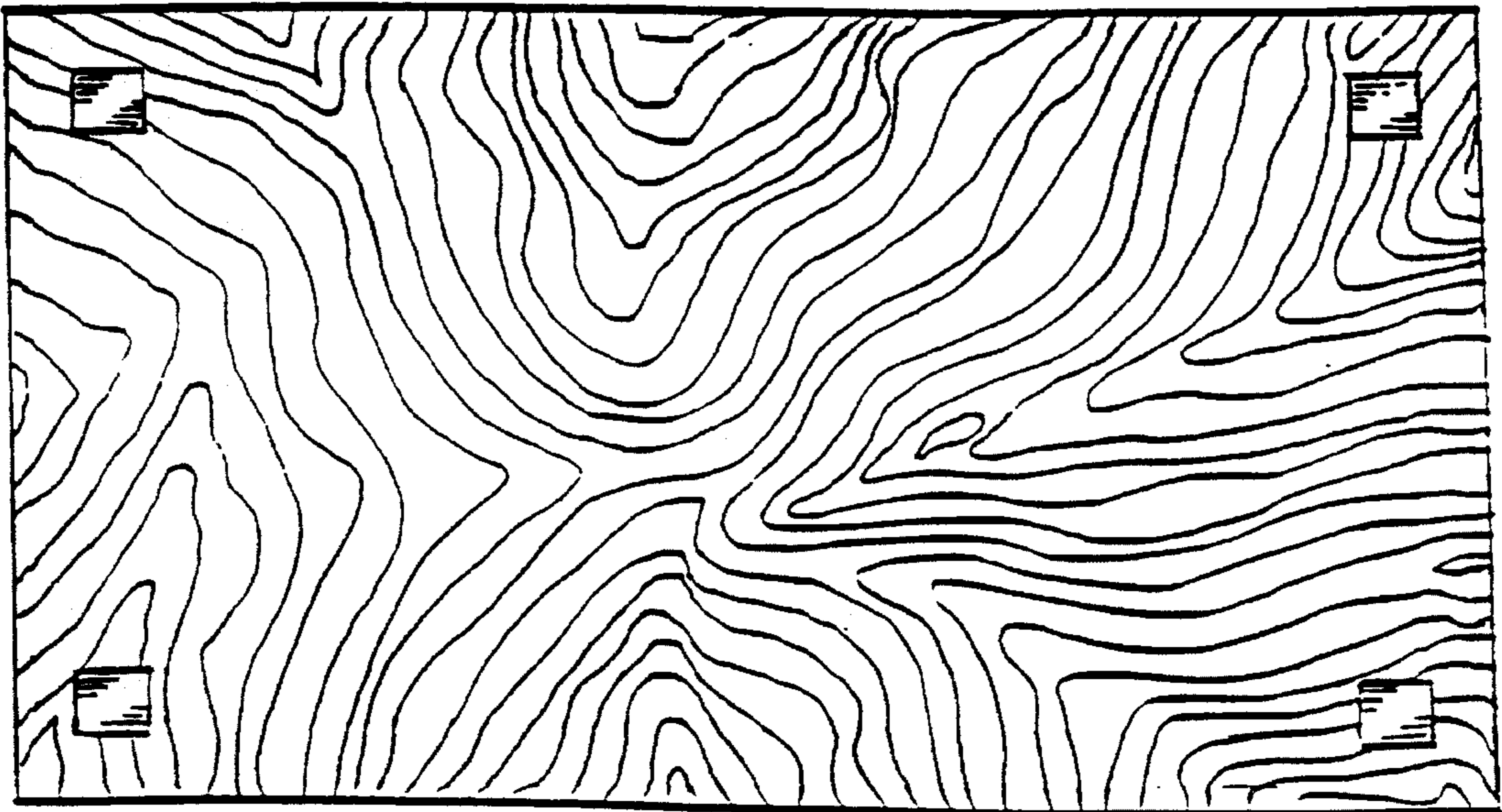


FIG. 6

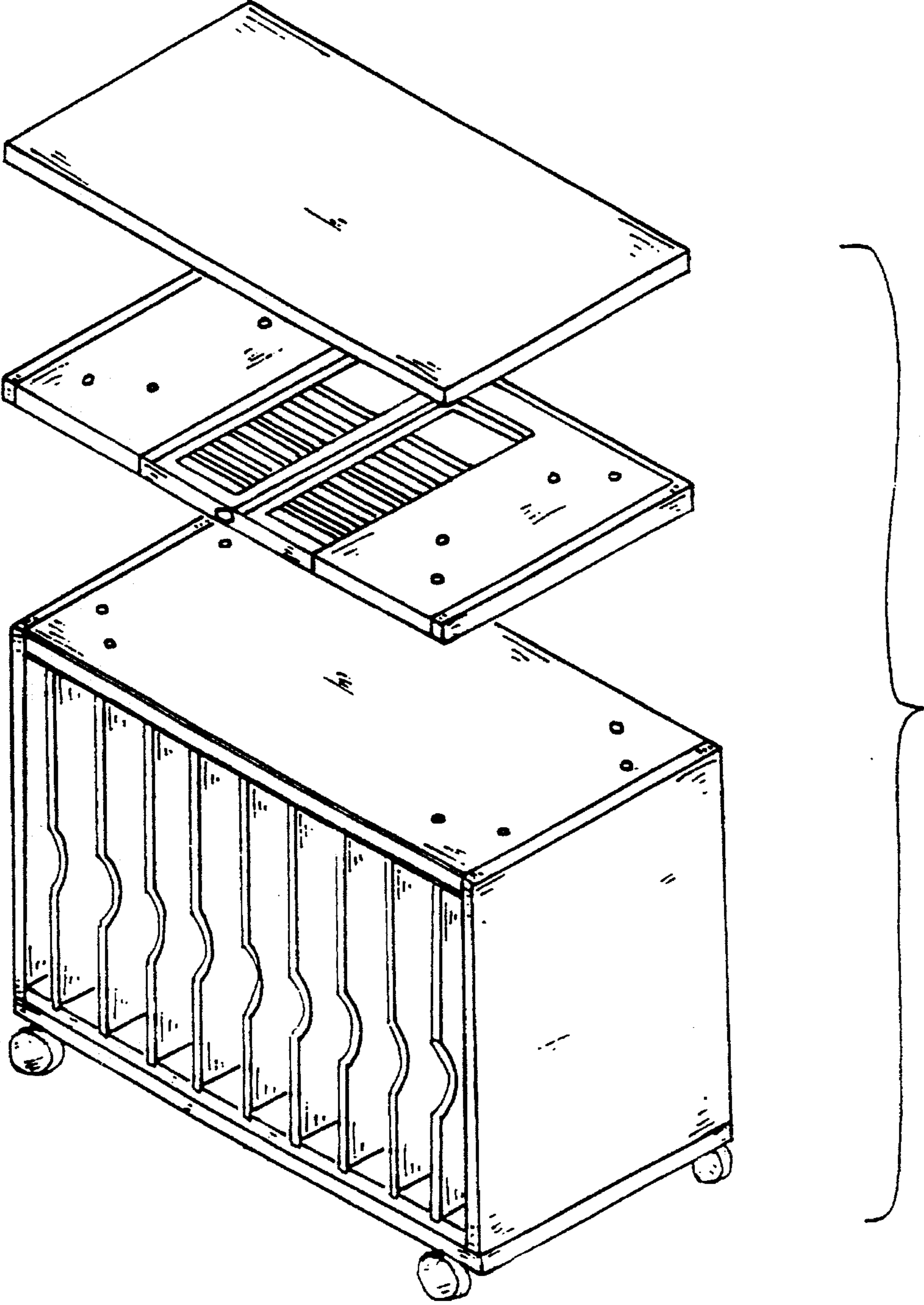


FIG. 7

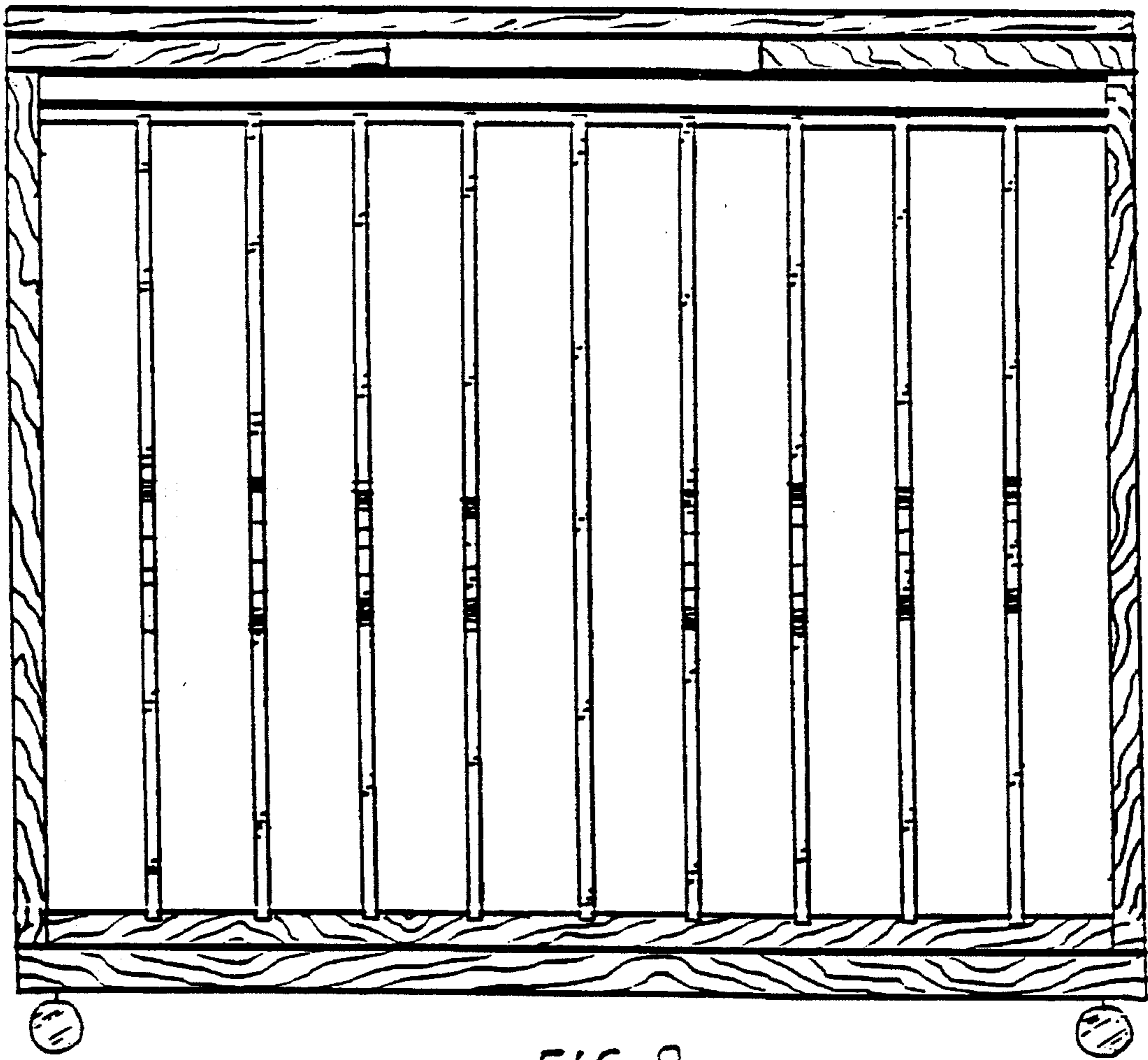


FIG. 8

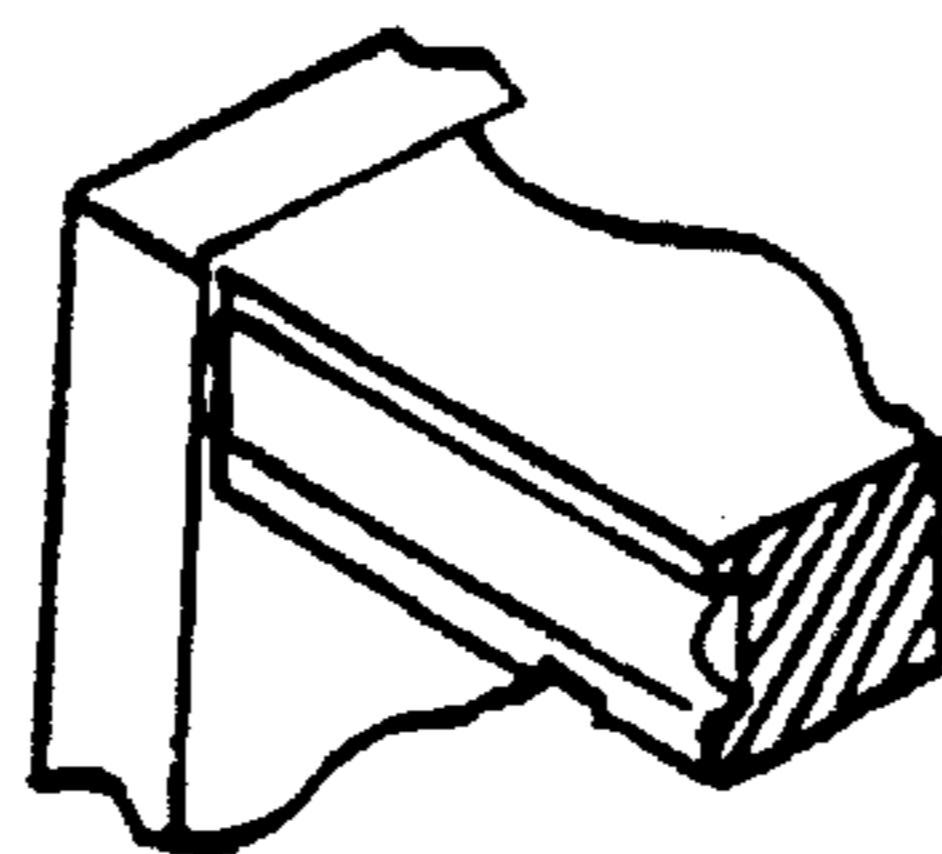


FIG. 9