



US00D364516S

# United States Patent [19]

Helenowski

[11] Patent Number: **Des. 364,516**

[45] Date of Patent: **\*\*Nov. 28, 1995**

[54] STAND

5,213,221 5/1993 Raye, Sr. .... 211/195

[76] Inventor: **Tomasz K. Helenowski**, 936 Burnham Ct., Glenview, Ill. 60025-4140

[\*\*] Term: **14 Years**

[21] Appl. No.: **28,638**

[22] Filed: **Sep. 19, 1994**

[52] U.S. Cl. .... **D6/462**; D6/429

[58] Field of Search ..... D6/410, 411, 462-465, D6/449, 429, 430; 211/181, 182, 184, 189, 195, 49.1, 43; 248/175, 163.1, 163.2, 439; D15/140, 141; D32/55, 58

[56] **References Cited**

### U.S. PATENT DOCUMENTS

D. 91,027	11/1933	Guild	.....	D6/410
D. 329,903	9/1992	Craig	.....	D6/462 X
D. 357,827	5/1995	Schultz	.....	D6/462
363,369	5/1887	Dancyger	.....	211/182 X
840,267	1/1907	Stebbins	.....	248/163.1 X
1,569,358	1/1926	Cross	.....	211/182
2,222,070	11/1940	Graves	.....	248/163.2 X
3,651,949	3/1972	Carter et al.	.....	211/189

### OTHER PUBLICATIONS

Making Plastic Pipe Furniture, ©1981, p. 52, Coffee Table And Night Table.

Making Plastic Pipe Furniture, ©1981, p. 98, Photos At Top And Bottom Of Page.

Service Merchandise Catalog, 91/92, #10 Keyboard Stand p. 392.

Primary Examiner—Jeffrey Asch

### [57] CLAIM

The ornamental design for a stand, as shown and described.

### DESCRIPTION

FIG. 1 is a perspective view;

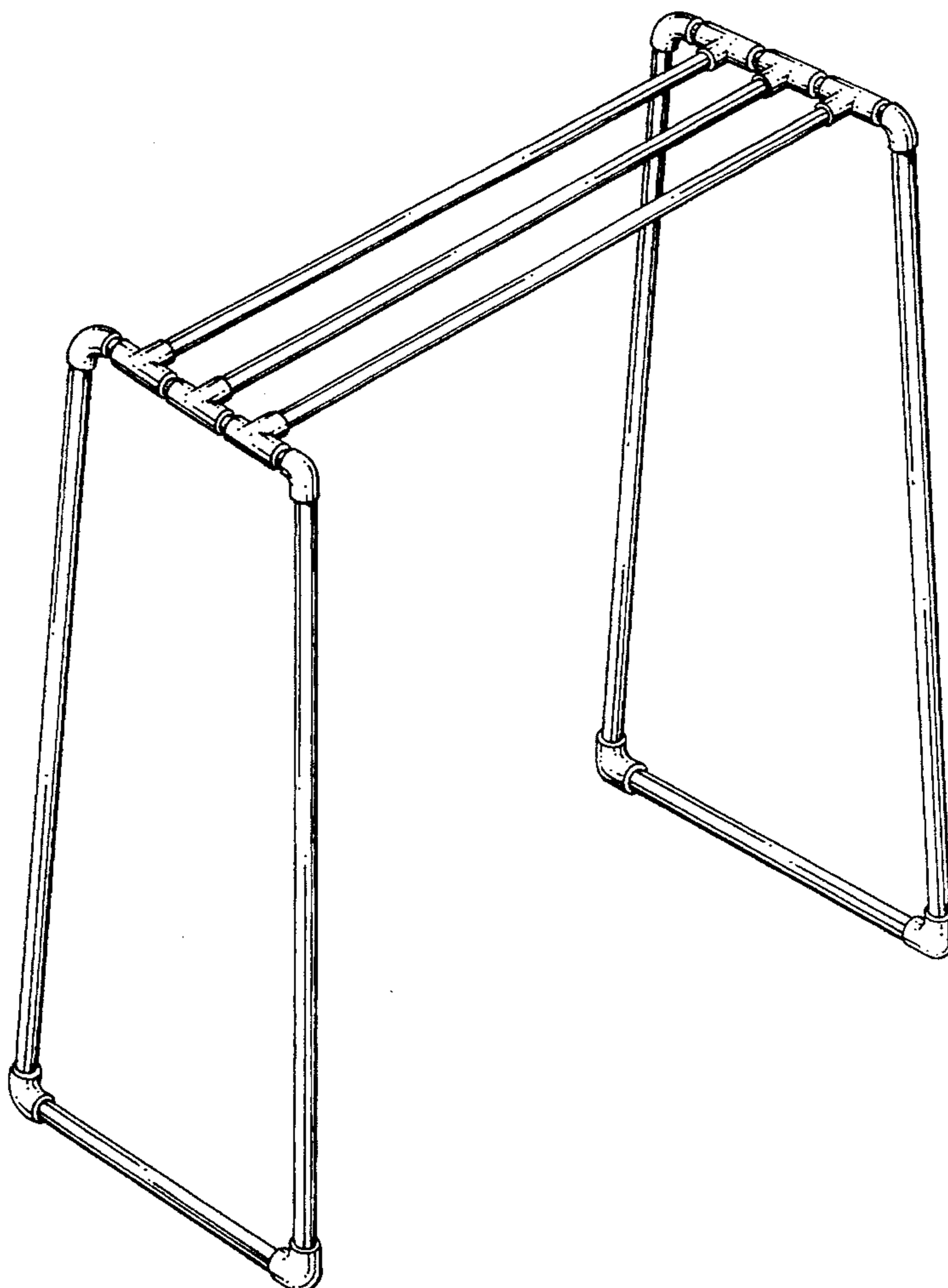
FIG. 2 is a left end elevation (right end being a mirror image);

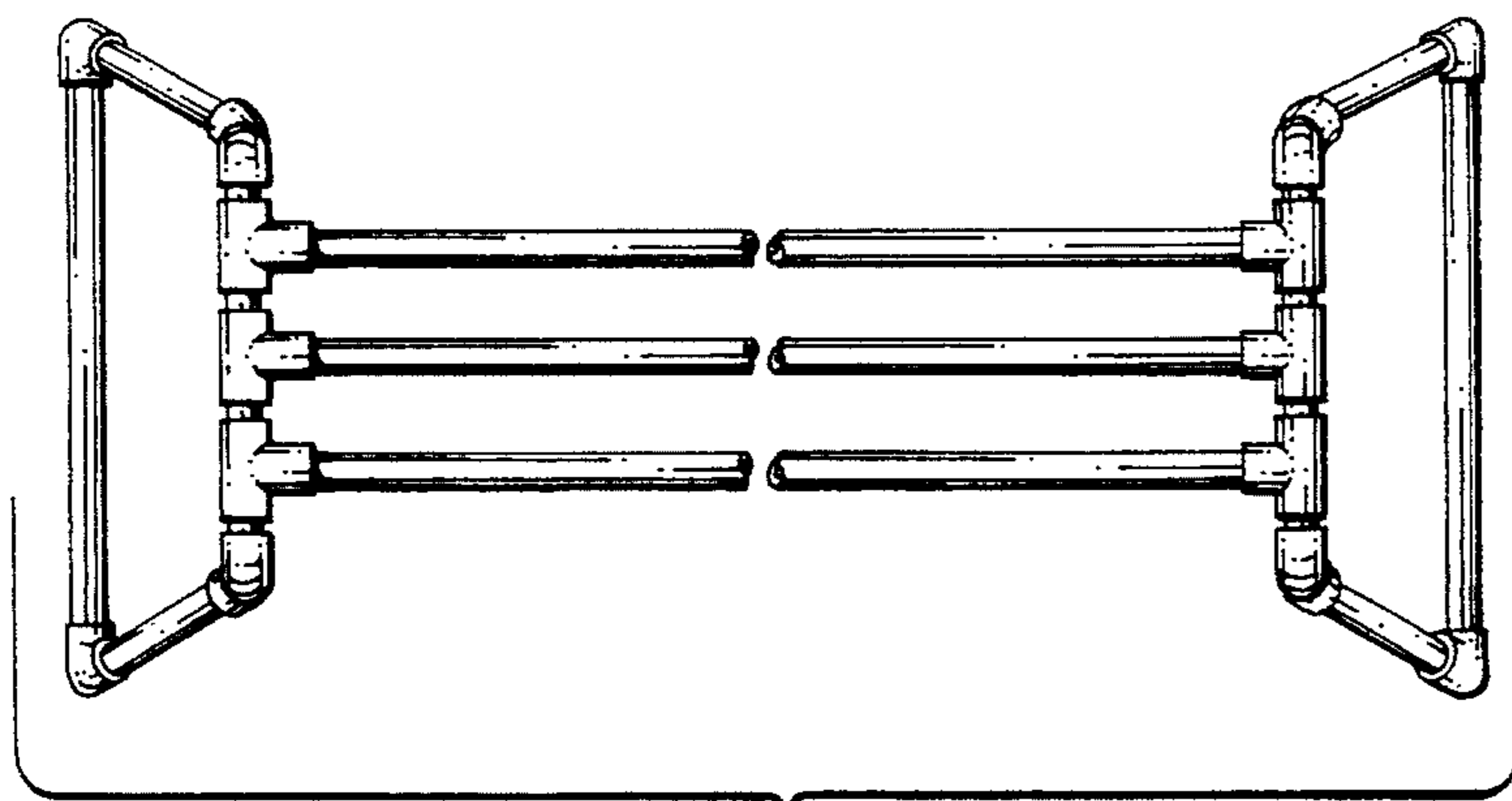
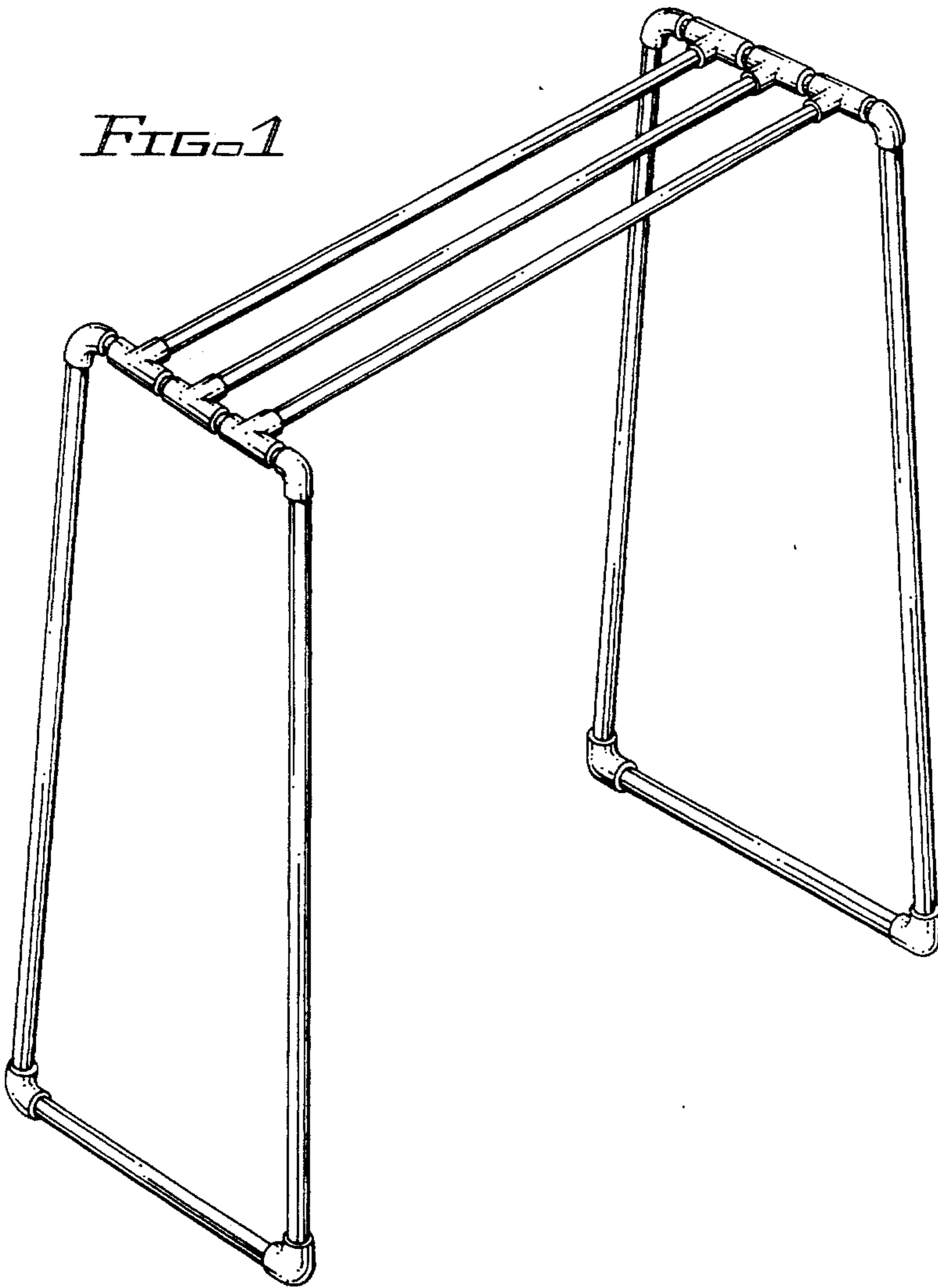
FIG. 3 is a top plan view;

FIG. 4 is a bottom plan view; and,

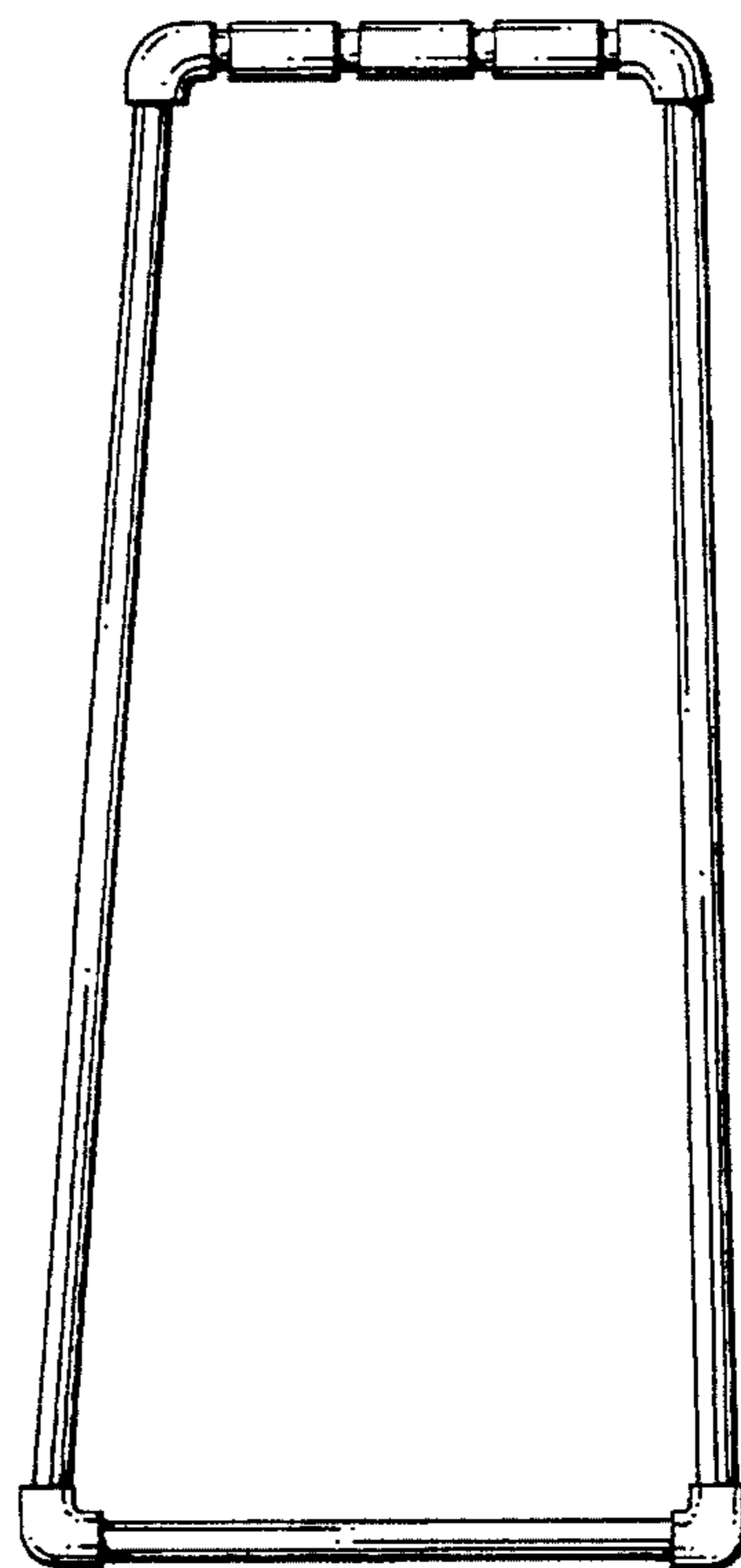
FIG. 5 is a front elevational view, (rear elevational view being a mirror image).

**1 Claim, 2 Drawing Sheets**

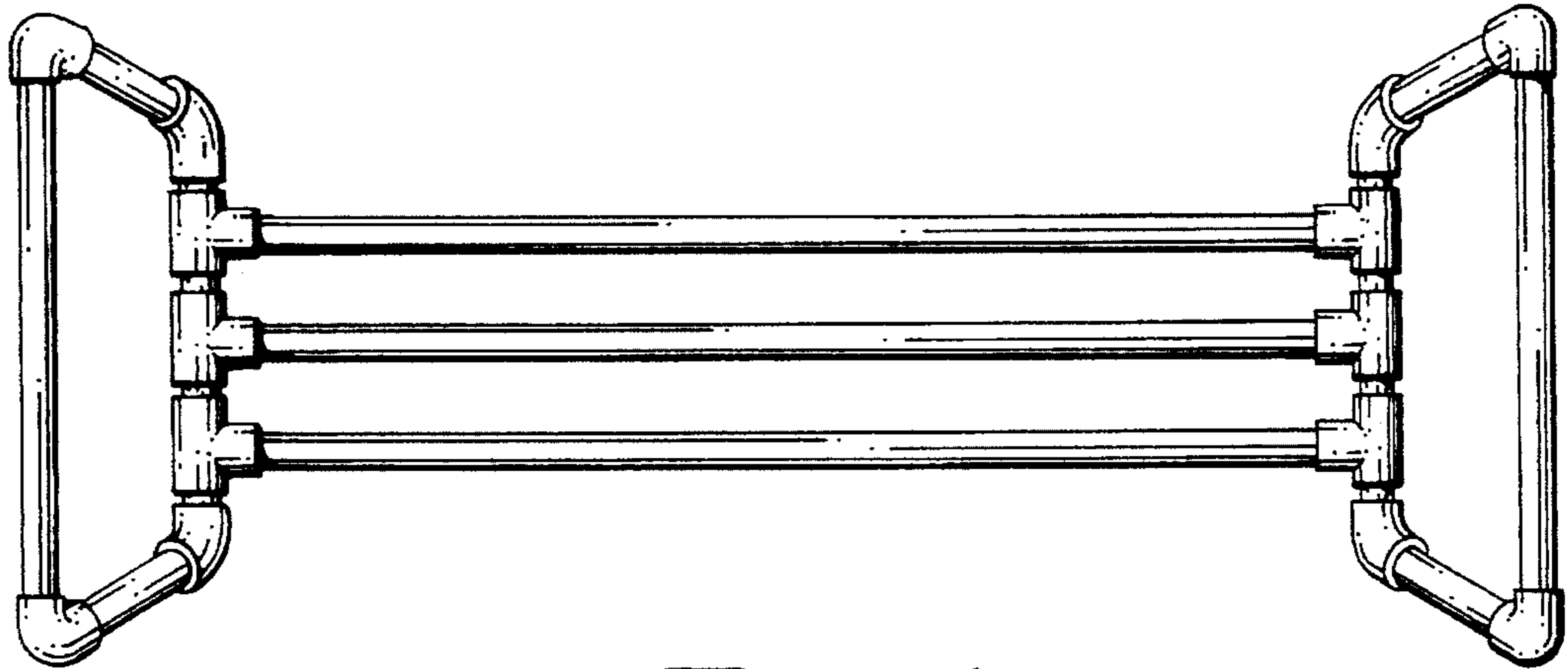




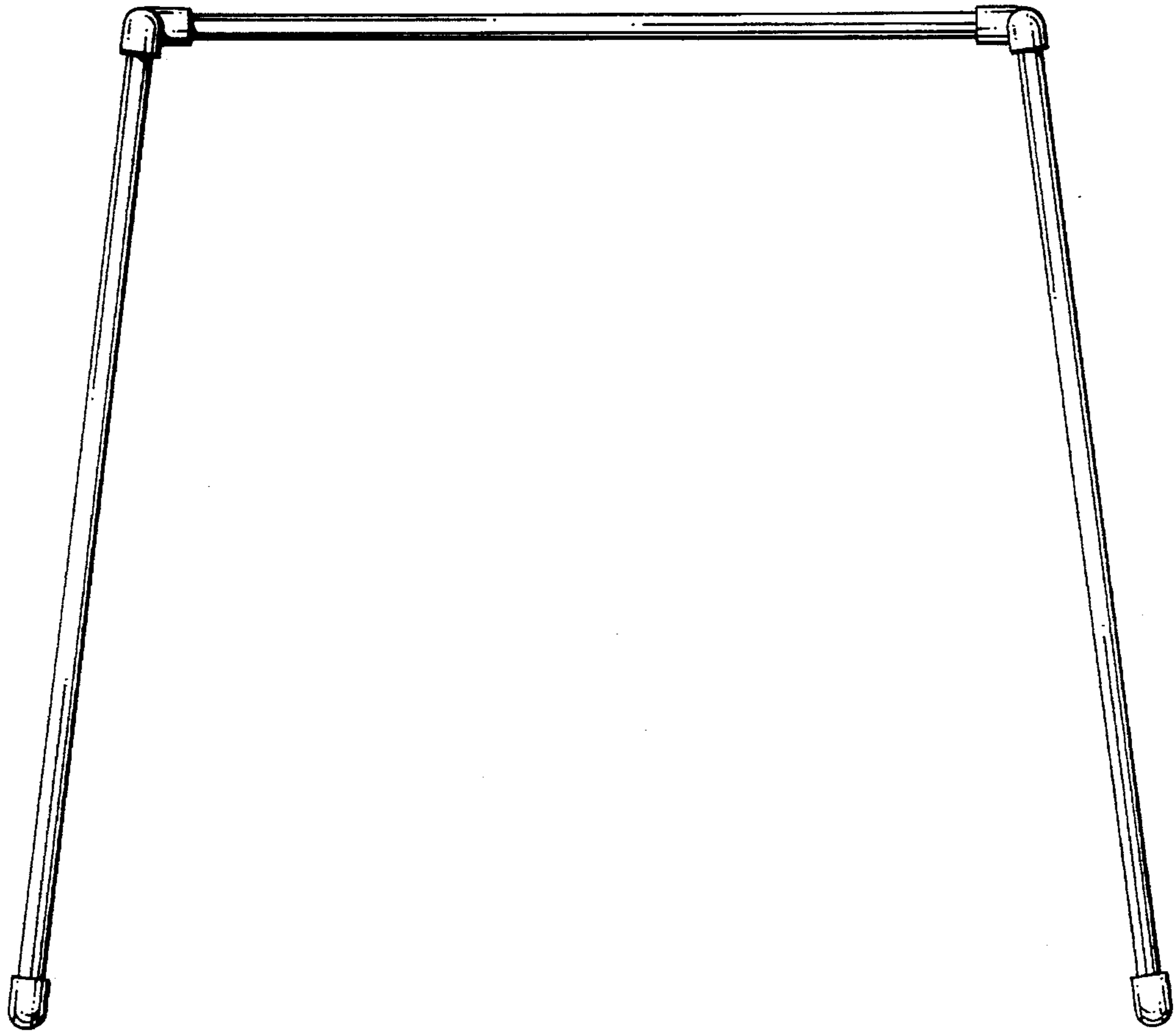
*FIG. 3*



*FIG. 2*



*FIG. 4*



*FIG. 5*