



US00D364511S

# United States Patent [19]

Berry, Jr. et al.

[11] Patent Number: **Des. 364,511**

[45] Date of Patent: **\*\*Nov. 28, 1995**

[54] **POSTER BED**

D. 345,659 4/1994 Ferguson .

[75] Inventors: **Richard D. Berry, Jr.; David A. Clark**, both of Hickory, N.C.

### OTHER PUBLICATIONS

Woodward & Lothrop—Directions, p. 12 Bed at bottom left.

[73] Assignee: **Ethan Allen Inc.**, Danbury, Conn.

*Primary Examiner*—Janice E. Seeger

[\*\*] Term: **14 Years**

*Attorney, Agent, or Firm*—Schweitzer Cornman & Gross

[21] Appl. No.: **32,407**

### [57] CLAIM

The ornamental design of the poster bed, as shown and described.

[22] Filed: **Dec. 19, 1994**

[52] U.S. Cl. .... **D6/393**

### DESCRIPTION

[58] Field of Search ..... D6/382–385, 388–395, D6/505–508; 5/53.1, 279.1, 280, 281, 907

FIG. 1 is a top, front, and right side perspective view of poster bed;

FIG. 2 is a front view thereof;

FIG. 3 is a rear view thereof; and,

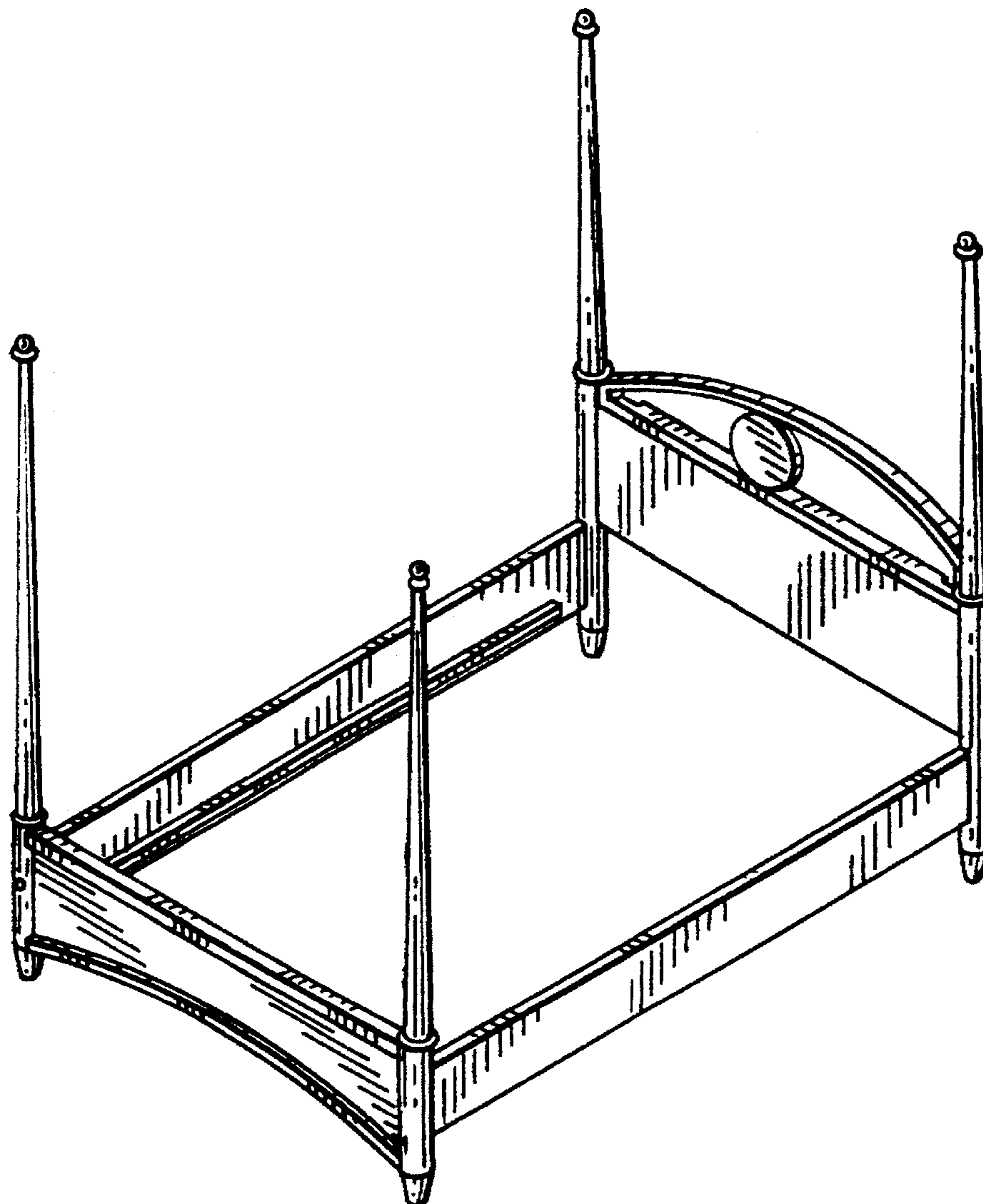
FIG. 4 is a left side view thereof.

### [56] References Cited

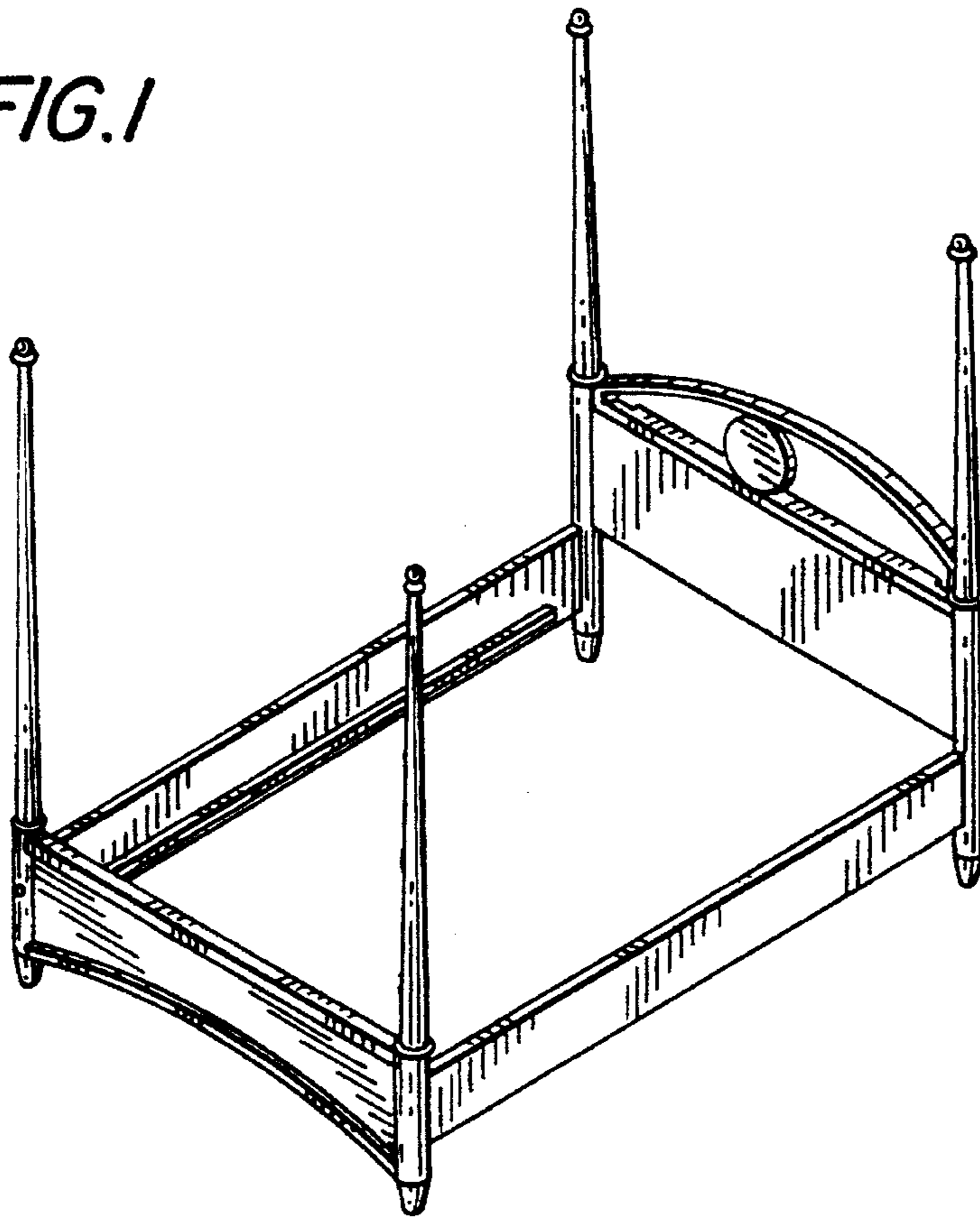
#### U.S. PATENT DOCUMENTS

- D. 166,796 5/1952 Brill ..... D6/388 X
- D. 345,263 3/1994 Keller ..... D6/389

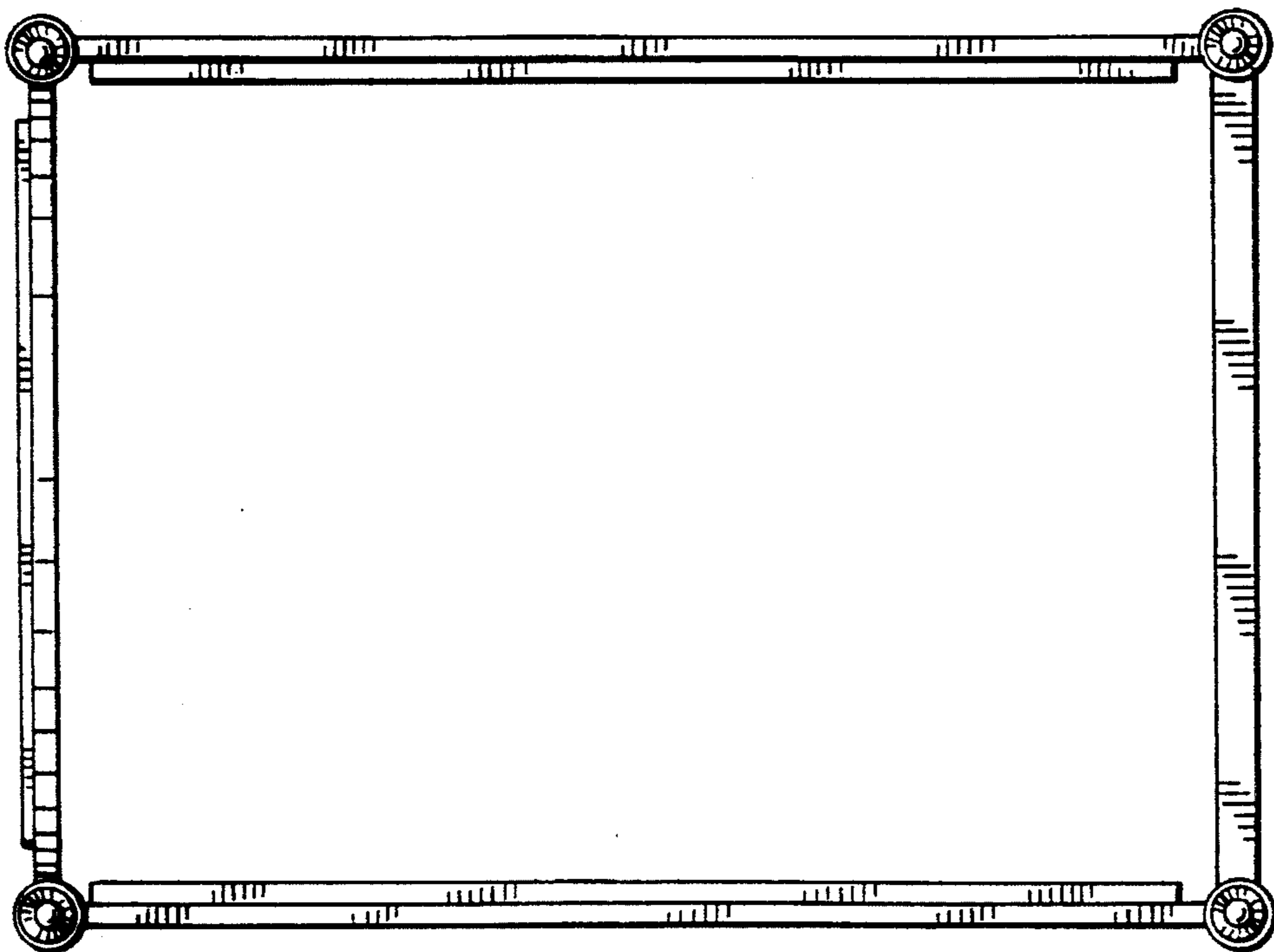
**1 Claim, 2 Drawing Sheets**



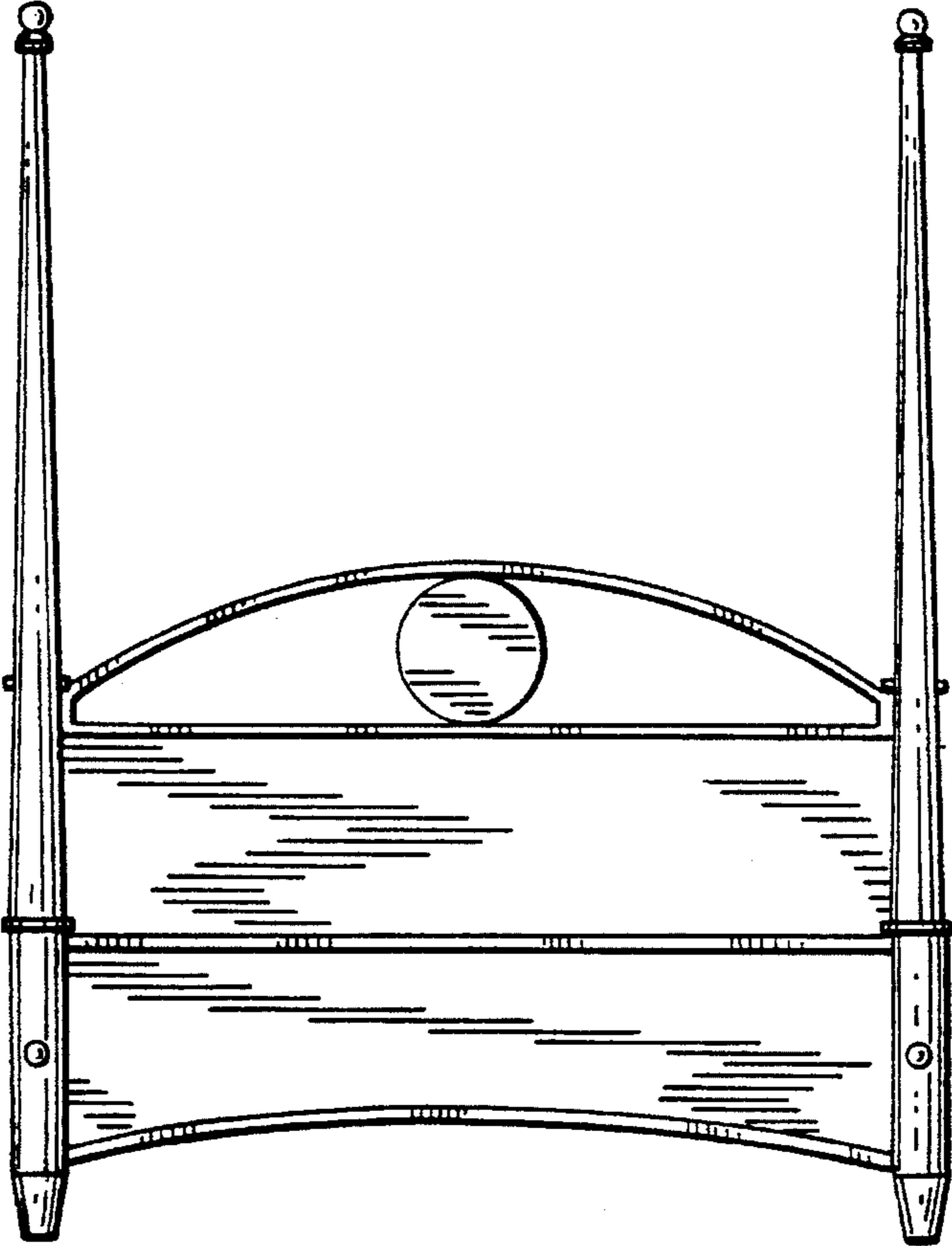
*FIG. 1*



*FIG. 2*



*FIG. 3*



*FIG. 4*

