



US00D364510S

United States Patent [19]
Harrison

[11] **Patent Number: Des. 364,510**

[45] **Date of Patent: **Nov. 28, 1995**

[54] **CHILD'S BED**

[76] Inventor: **Daniel J. Harrison**, 2023 50th St.,
NW., North Canton, Ohio 44709

[**] Term: **14 Years**

[21] Appl. No.: **34,671**

[22] Filed: **Feb. 9, 1995**

[52] U.S. Cl. **D6/388**; D6/384

[58] Field of Search D6/382, 383, 387-395,
D6/505-508, 384; 5/53.1, 279.1, 280, 281,
907

[56] **References Cited**

U.S. PATENT DOCUMENTS

D. 159,009	6/1950	Sharp	D6/384
D. 266,974	11/1982	Wilks	D6/506
D. 356,900	4/1995	Chesmore	D6/388
D. 359,866	7/1995	Duprey	D6/506

Primary Examiner—Janice E. Seeger
Attorney, Agent, or Firm—Sand & Sebolt

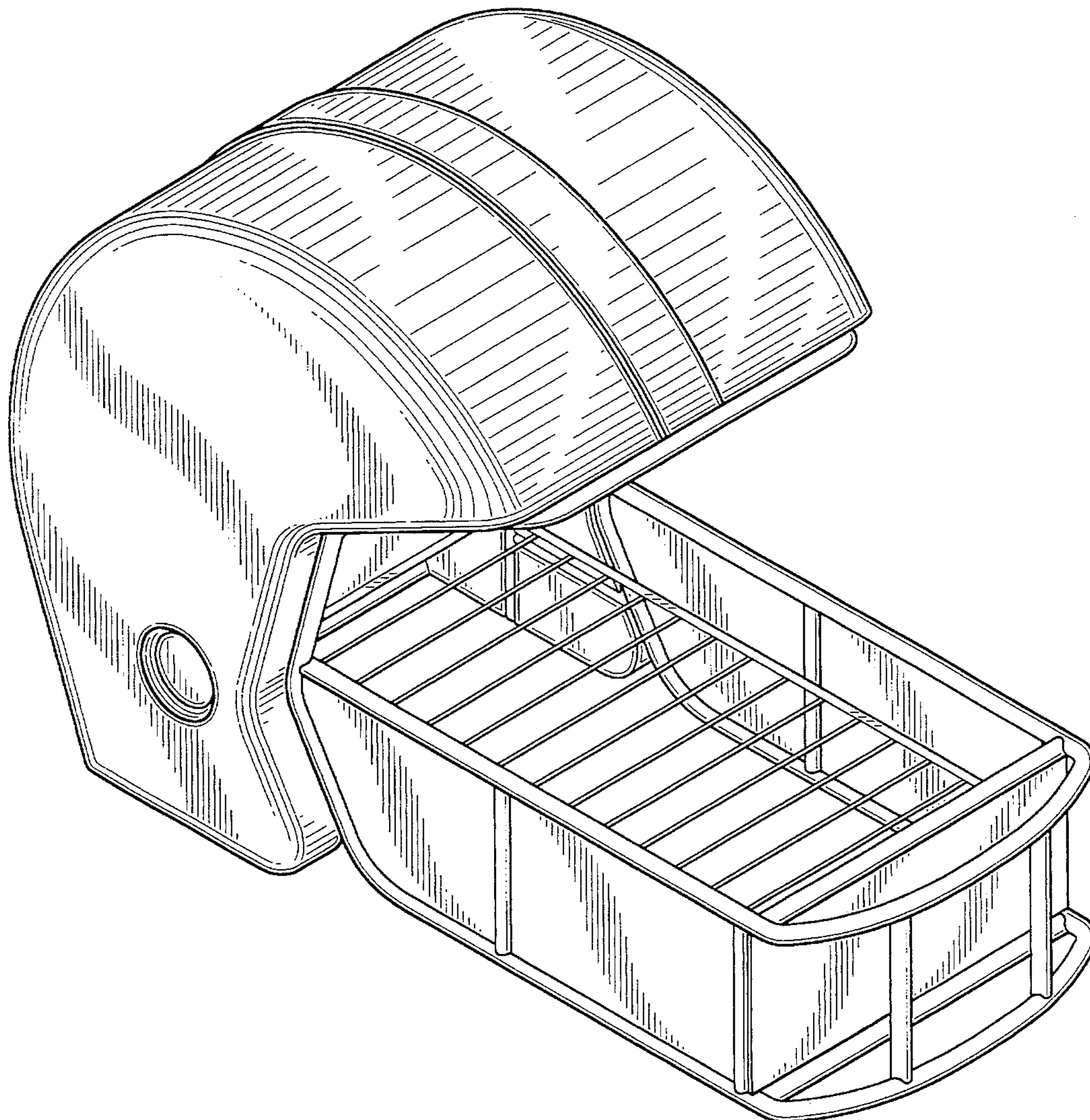
[57] **CLAIM**

The ornamental design for a child's bed, as shown and described.

DESCRIPTION

FIG. 1 is a perspective view of a child's bed;
FIG. 2 is a top plan view thereof;
FIG. 3 is a side elevational view of FIG. 2, the opposite side being a mirror image thereof;
FIG. 4 is a bottom plan view of FIG. 2;
FIG. 5 is a front elevational view of FIG. 2;
FIG. 6 is a rear elevational view of FIG. 2; and,
FIG. 7 is a perspective view similar to FIG. 1 showing a modified embodiment of the child's bed.

1 Claim, 5 Drawing Sheets



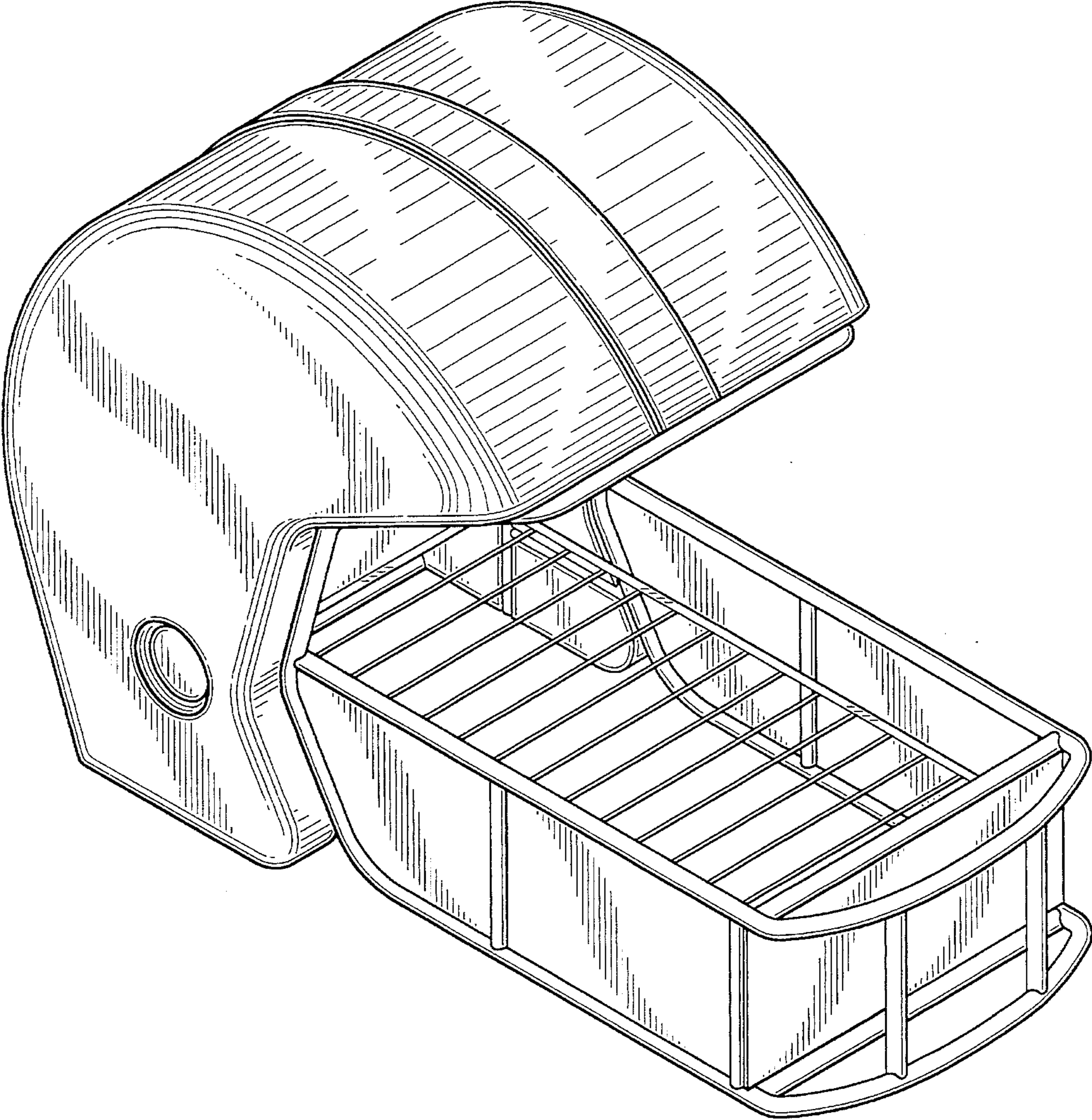


FIG-1

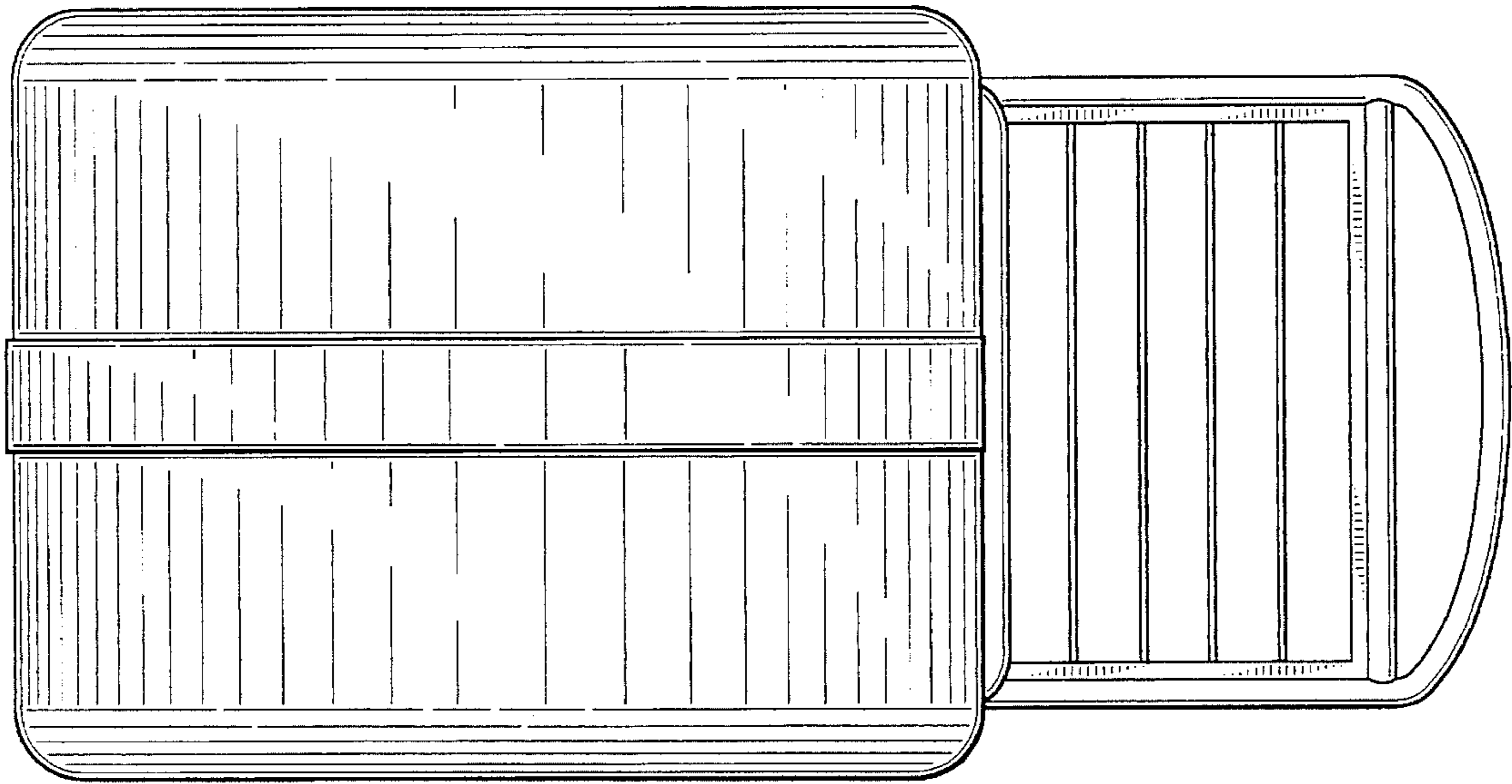


FIG-2

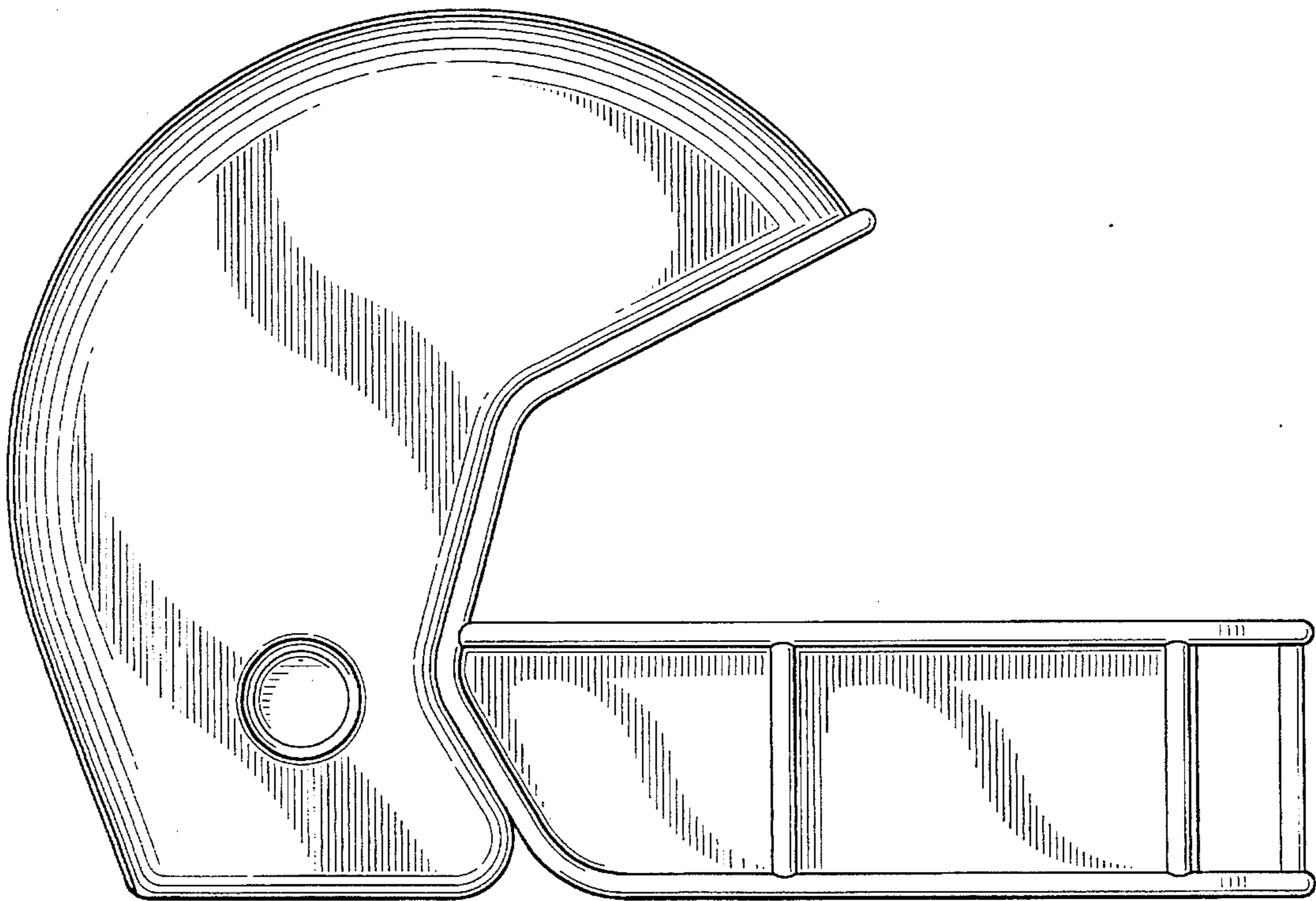


FIG-3

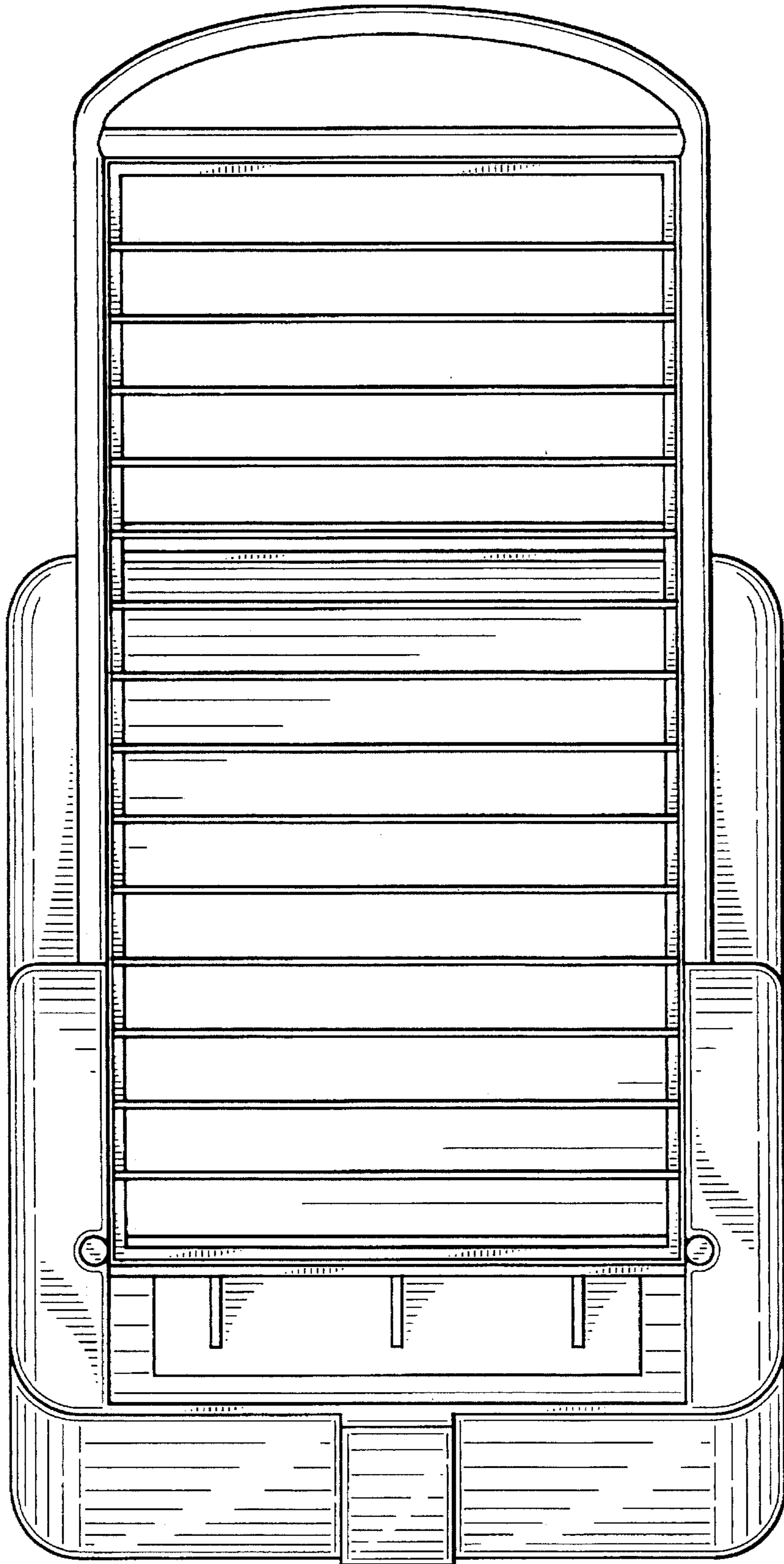


FIG-4

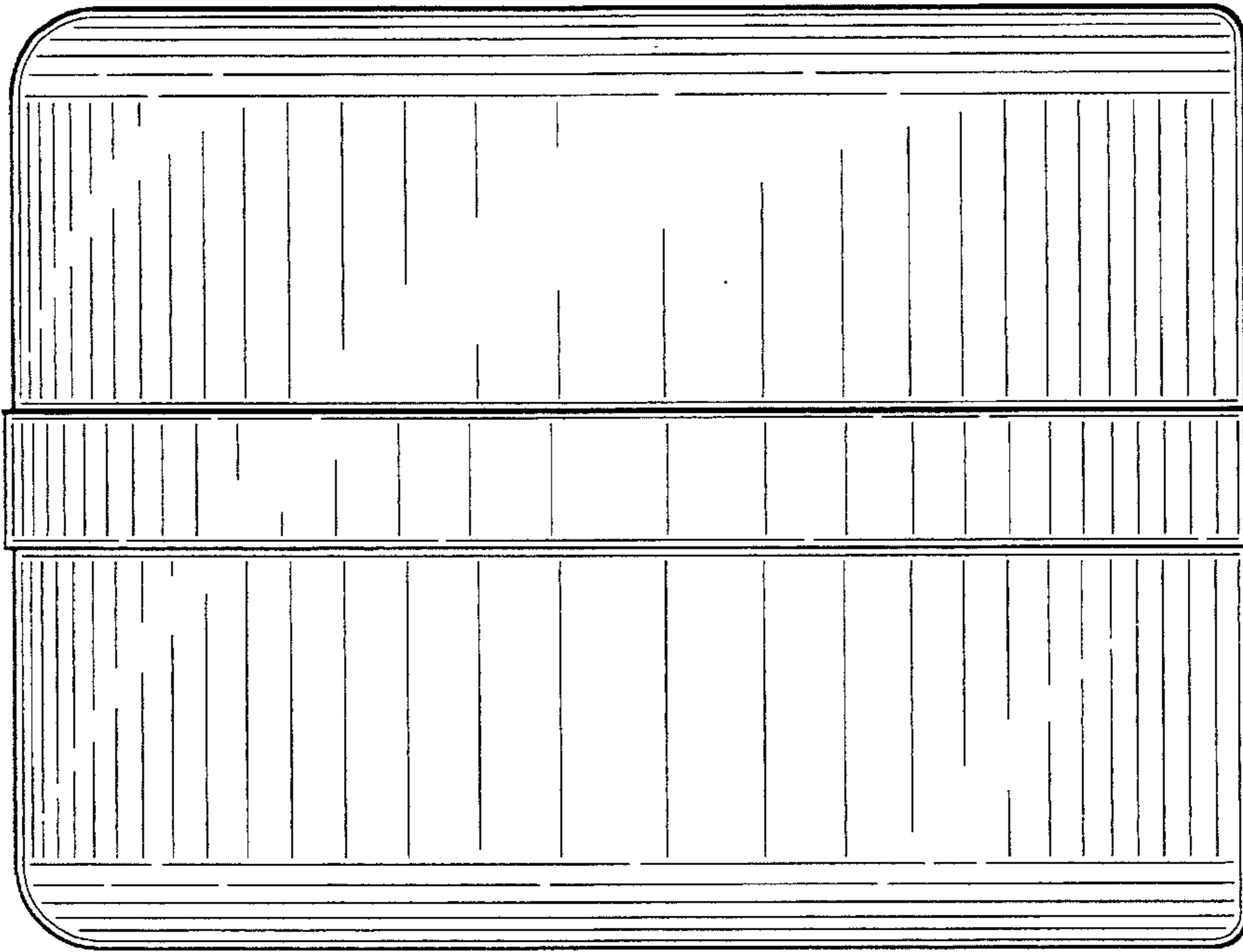


FIG-6

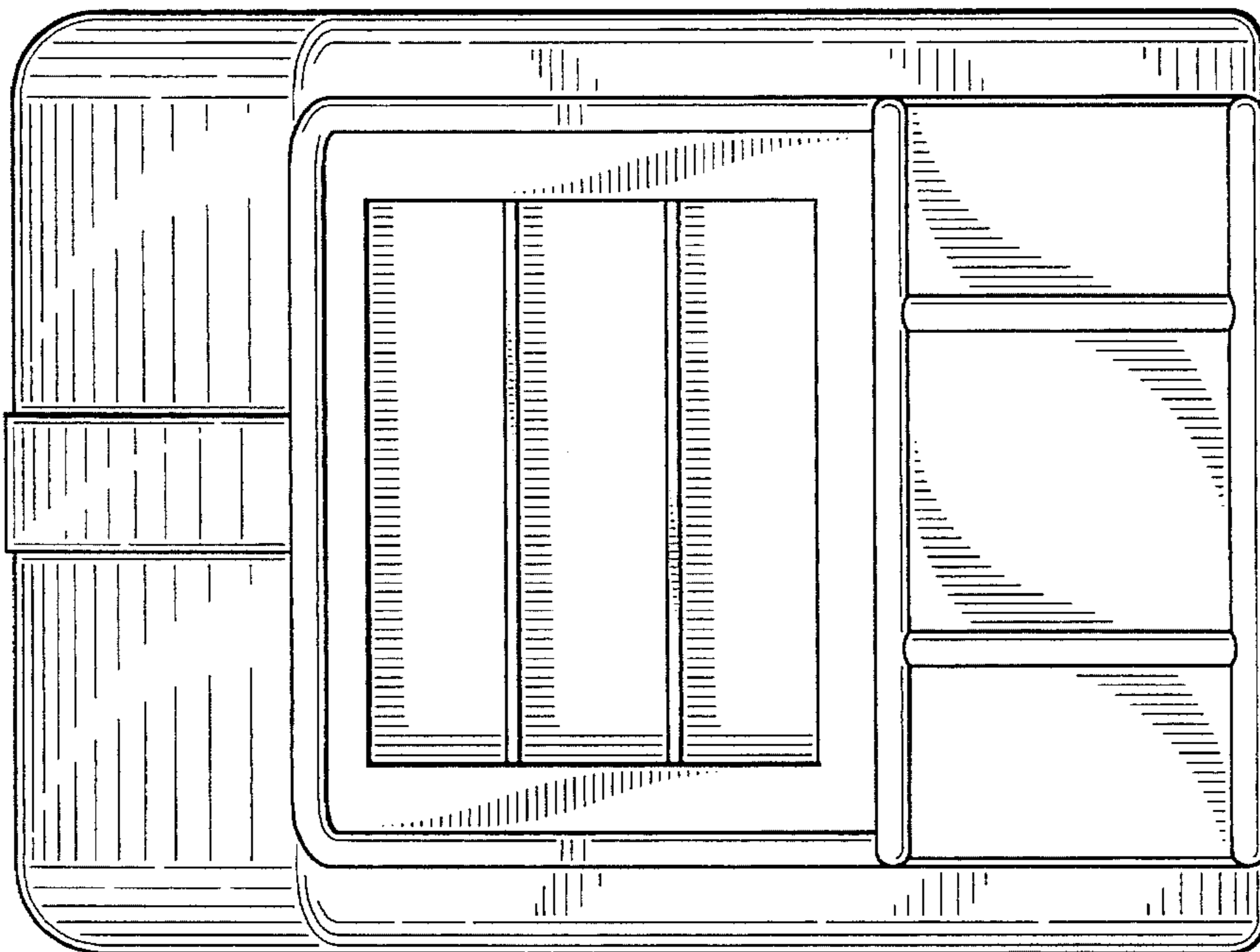


FIG-5

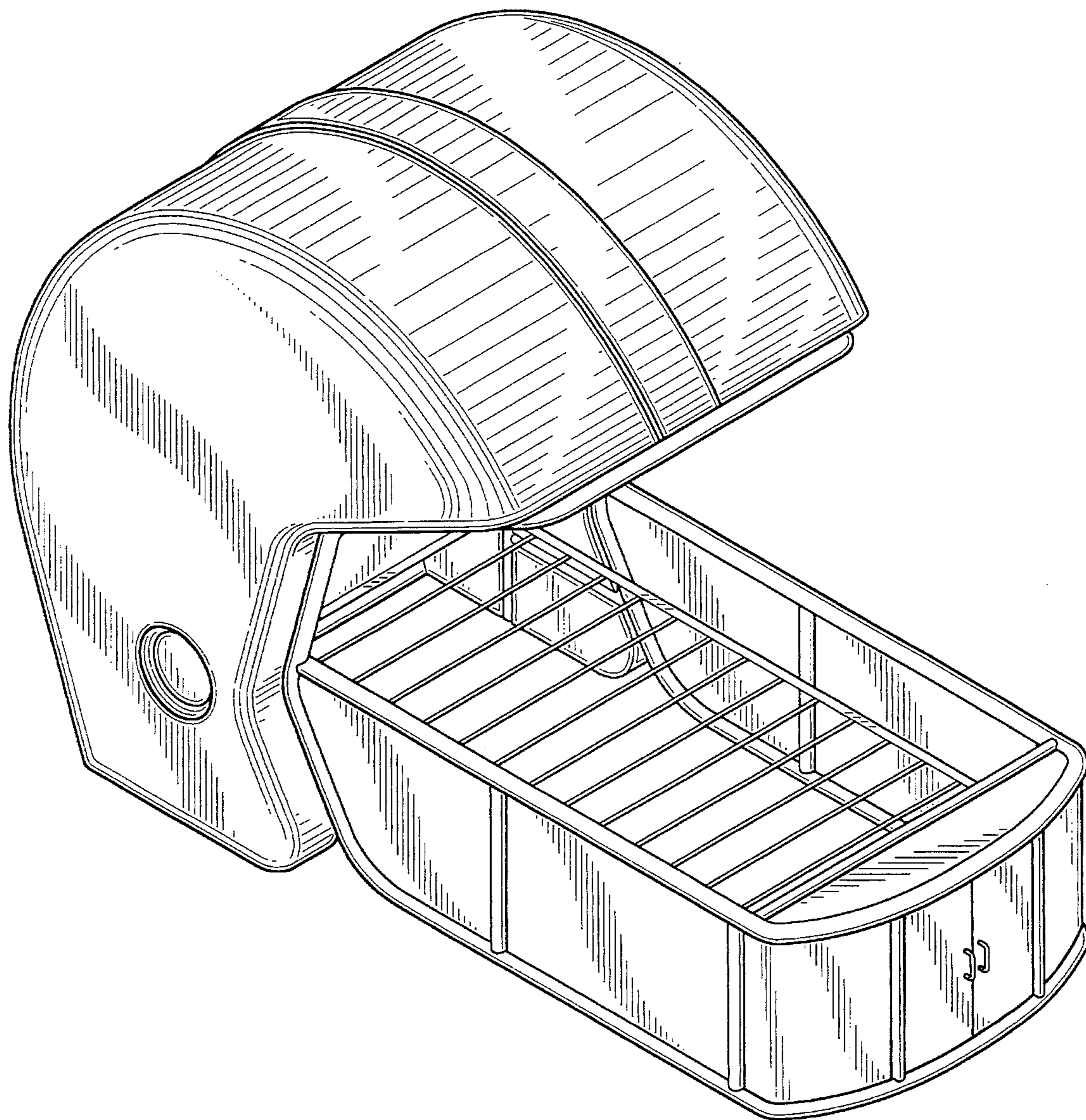


FIG-7