



US00D364507S

United States Patent [19] Schwartz

[11] Patent Number: **Des. 364,507**
[45] Date of Patent: ****Nov. 28, 1995**

[54] **PICTURE FRAME**

[76] Inventor: **Harold W. Schwartz**, 127 Brite Ave.,
Scarsdale, N.Y. 10583

[**] Term: **14 Years**

[21] Appl. No.: **29,401**

[22] Filed: **Oct. 4, 1994**

[52] U.S. Cl. **D6/300**

[58] Field of Search D6/300-314; 40/152,
40/152.1, 152.2, 154-160

[56] **References Cited**

U.S. PATENT DOCUMENTS

D. 36,563	9/1903	Collins, Jr.	D6/309
D. 122,771	10/1940	Doner	D6/300
D. 148,113	12/1947	Mandel .	
D. 244,500	5/1977	Copeland .	
D. 250,504	12/1978	Kliot	D6/300
D. 295,699	5/1988	Purdy .	

(List continued on next page.)

OTHER PUBLICATIONS

Two photographs showing a portfolio for holding papers. One photograph shows the portfolio open the other photograph shows the closed portfolio. Sold Oct. 4, 1994.

Primary Examiner—Janice E. Seeger
Attorney, Agent, or Firm—Rosen, Dainow & Jacobs

[57] **CLAIM**

The ornamental design for a picture frame, as shown and described.

DESCRIPTION

FIG. 1 is a front perspective view of a picture frame showing my new design;
FIG. 2 is a front elevation view thereof;
FIG. 3 is a rear elevation view thereof;
FIG. 4 is a left side elevation view thereof, the right side elevation view being a mirror image thereof;
FIG. 5 is a top plan view thereof, the bottom plan view thereof being the same;

FIG. 6 is a front elevation view of a second modified embodiment of my new design;

FIG. 7 is a front perspective view of the second modified embodiment of my new design depicted in FIG. 6, the top and bottom plan views being the same as in FIG. 5 except for proportions, and the rear elevation view being the same as in FIG. 3 except for proportions;

FIG. 8 is a front elevation view of a third modified embodiment of my new design, the right and left side elevation views being similar to FIG. 4, the top and bottom plan views being similar to FIG. 5 except that the sides are visible and part of the bottom and top, respectively, are visible, the rear view being similar to FIG. 3 except that the outline is that of a parallelogram, and the central aperture being the same as the central aperture depicted in FIG. 7;

FIG. 9 is a front elevation view of a fourth modified embodiment of my new design;

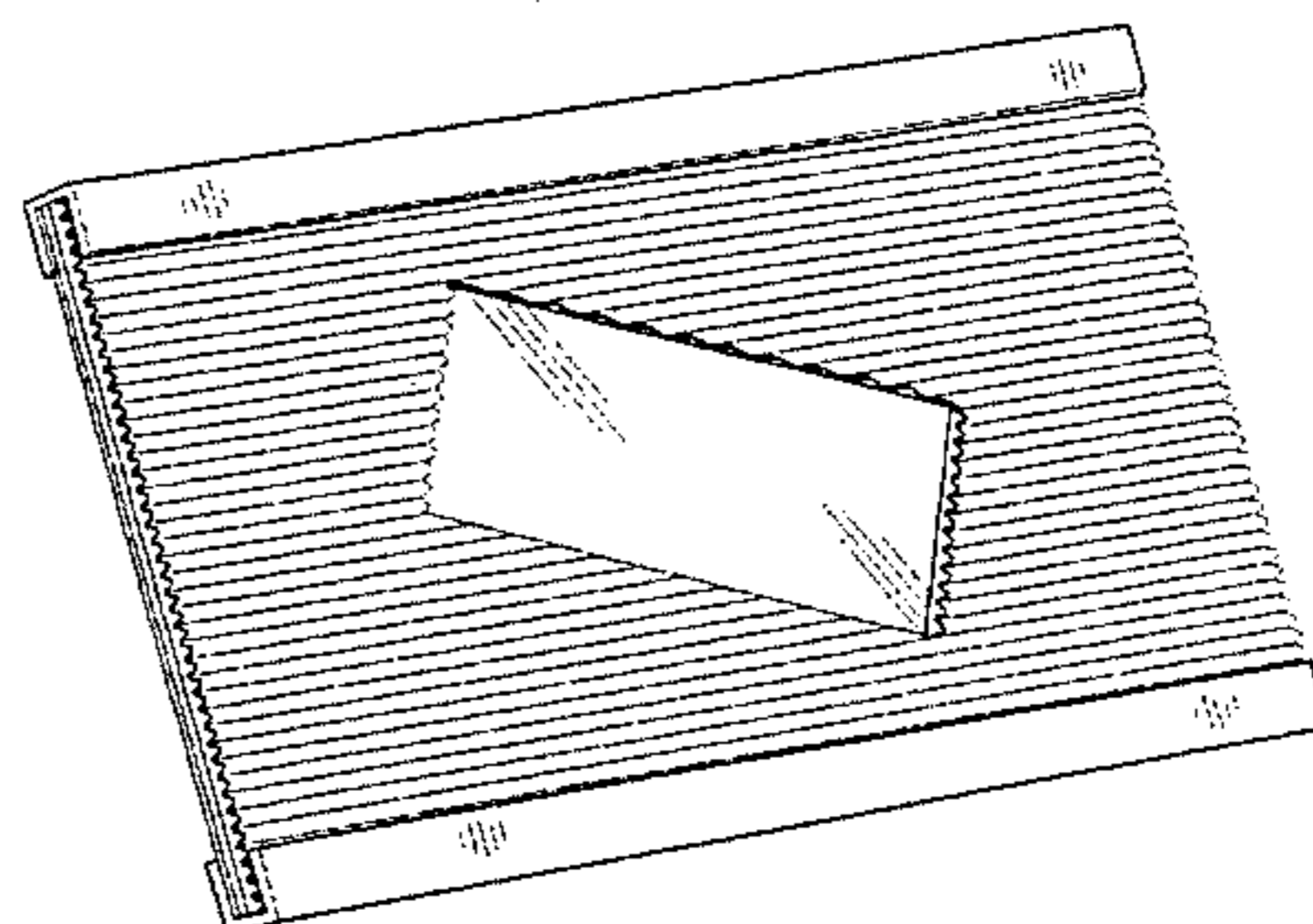
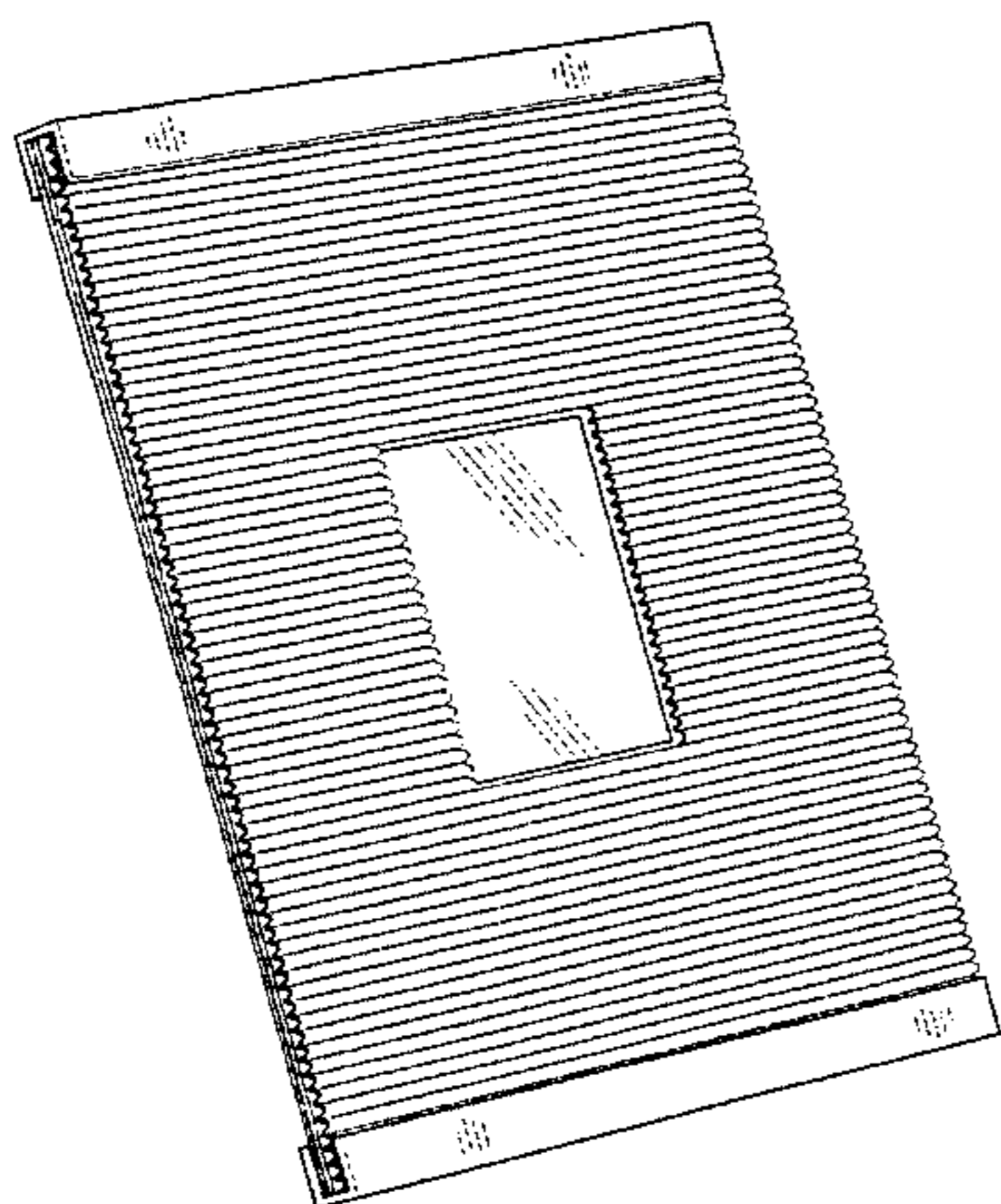
FIG. 10 is a front perspective view of the fourth modified embodiment of my new design depicted in FIG. 9, the right and left side elevation views being the same as FIG. 4 except for proportions, the top and bottom plan views being the same as in FIG. 5 except for proportions, and the rear elevation view being the same as in FIG. 3 except for proportions;

FIG. 11 is a front elevation view of a fifth modified embodiment of my new design;

FIG. 12 is a left side elevation view of the fifth embodiment of my new design depicted in FIG. 11, the right side elevation view thereof being a mirror image, the top and bottom plan views being the same in FIG. 5 except for proportions, and the rear elevation view being the same as in FIG. 3 except for proportions, and the central aperture being the same as the center aperture depicted in FIG. 1 except for proportions; and,

FIG. 13 is a front elevation view of a sixth modified embodiment of my new design, the top and bottom plan views thereof being the same as FIG. 12 except for proportions and the broken line portion, the left and right side elevation views being the same as FIG. 5 except for proportions, and the central aperture being the same as the central aperture depicted in FIG. 1 except for proportions. The broken line showings of a support flap on the rear of the picture frames in FIGS. 3, 4 and 12 are for illustrative purposes only and do not form part of the claimed design.

1 Claim, 3 Drawing Sheets



Des. 364,507

Page 2

U.S. PATENT DOCUMENTS

			1,968,328	7/1934	Stuparich	40/158.1
D. 307,676	5/1990	Davis .	2,656,632	10/1953	Detje .	
D. 332,702	1/1993	Kaga et al. .	3,237,333	3/1966	Bacharach .	
D. 343,065	1/1994	Barbieri .	3,665,628	5/1972	Dammond	40/155
388,712	8/1888	Pattberg	4,187,630	2/1980	Giulie et al. .	
630,240	8/1899	Kintner .	4,286,400	9/1981	MacPherson et al. .	
1,274,804	8/1918	Spitzer	4,509,278	4/1985	Astoifi .	
1,361,678	12/1920	Buck .	4,870,765	10/1989	McLeod .	
1,882,236	10/1932	Stockman .	4,939,858	7/1990	Dailey .	
1,963,124	6/1934	Free .				

FIG. 1

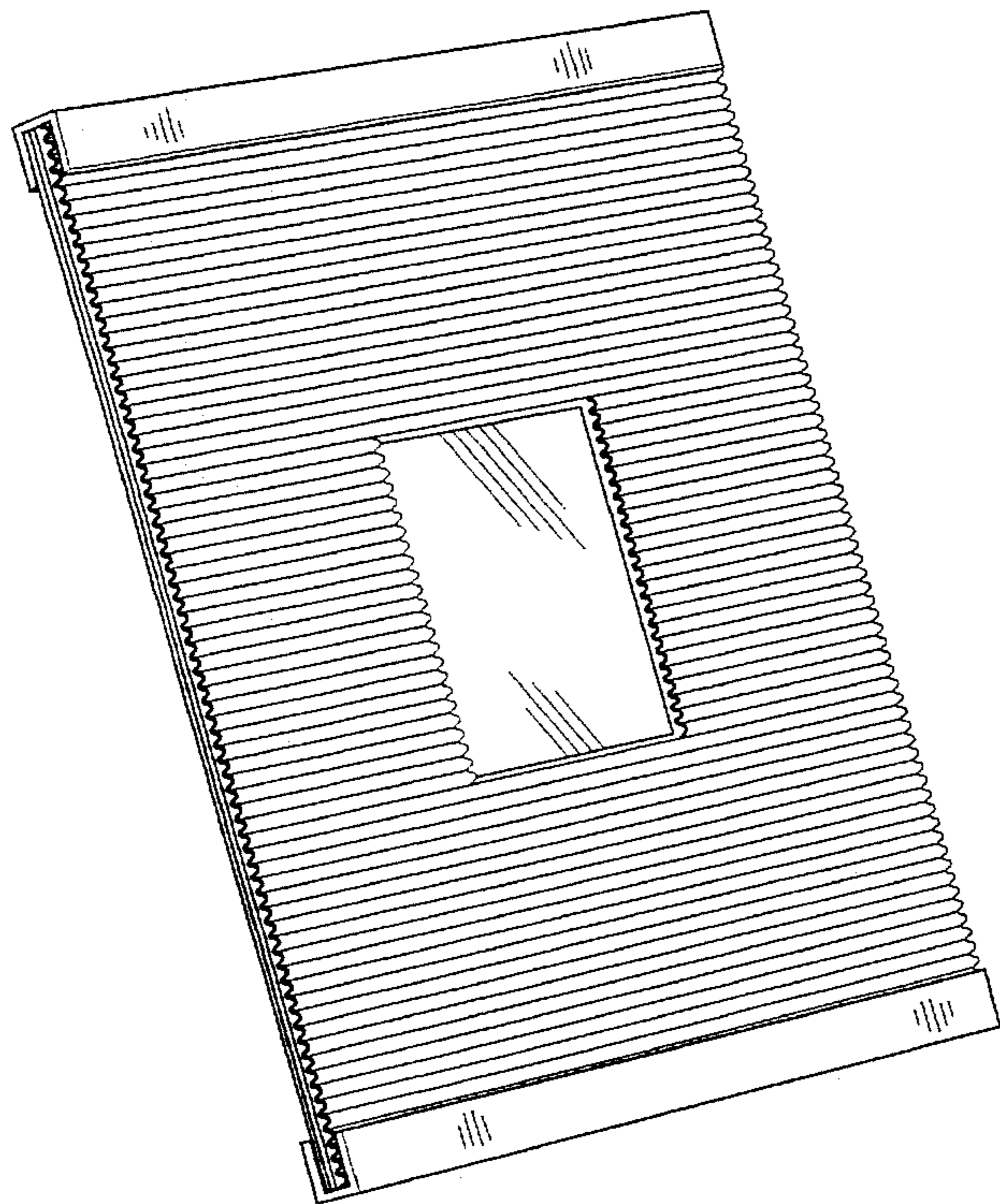


FIG. 4



FIG. 2

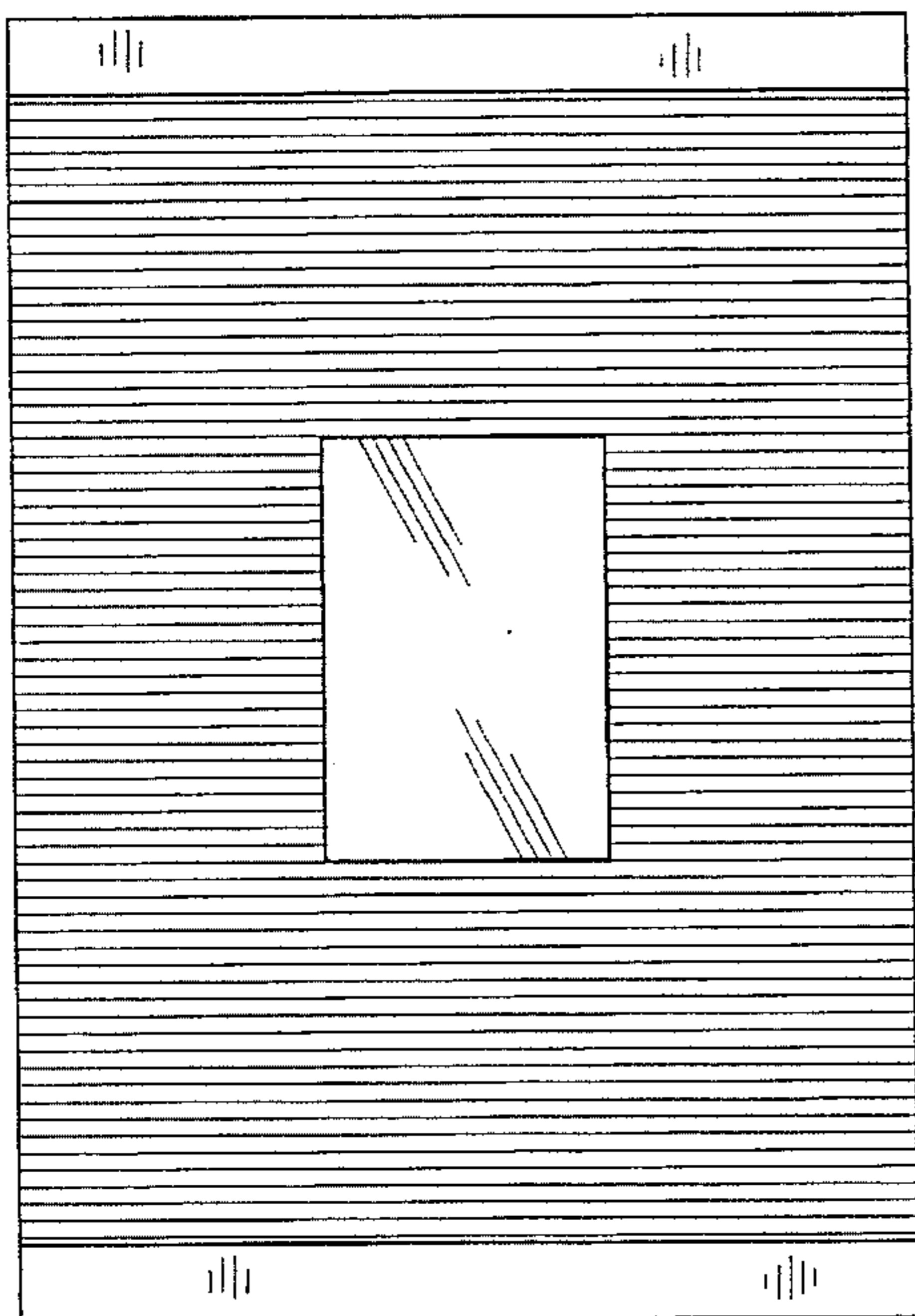


FIG. 3

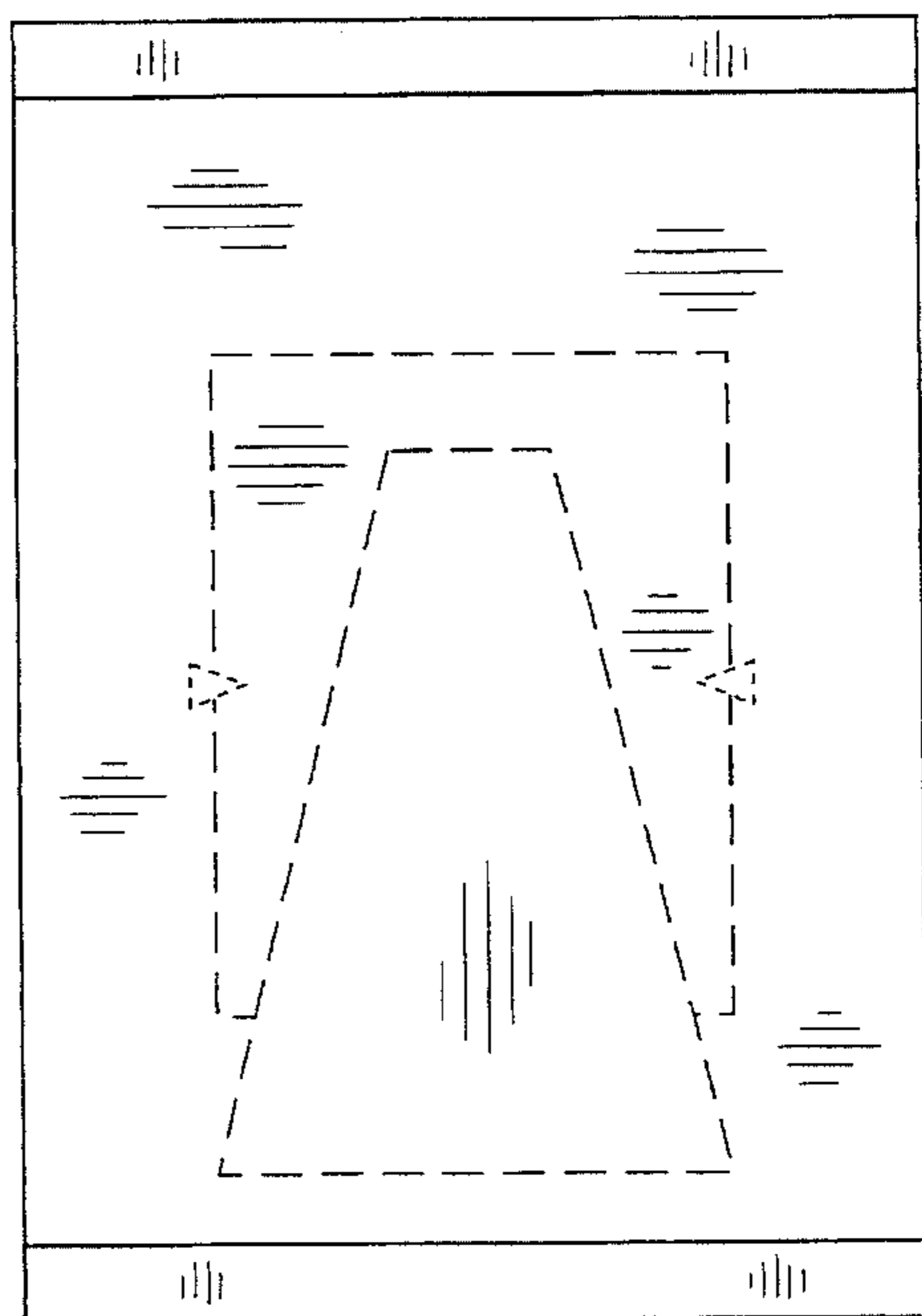


FIG. 5



FIG. 6

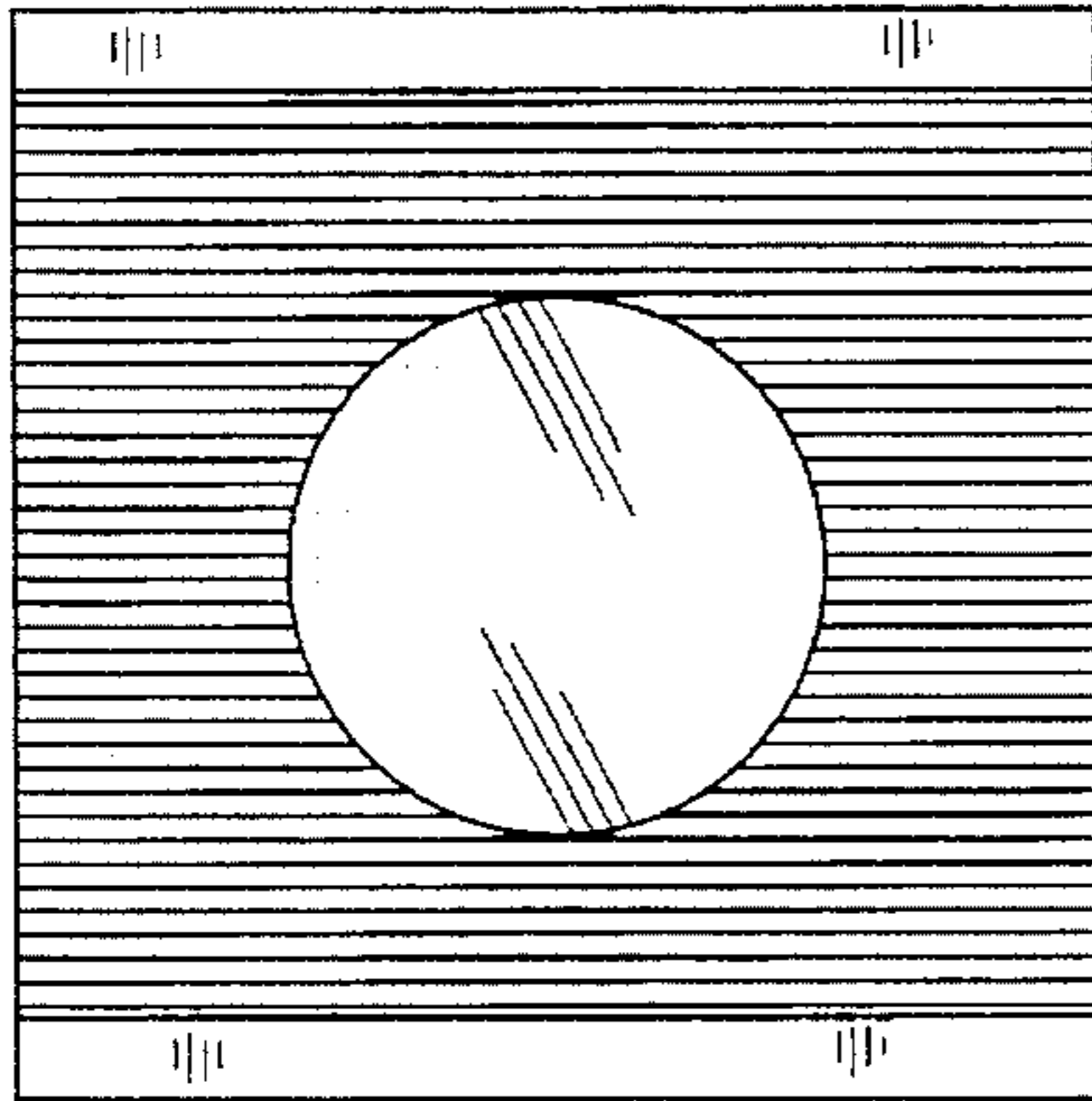


FIG. 7

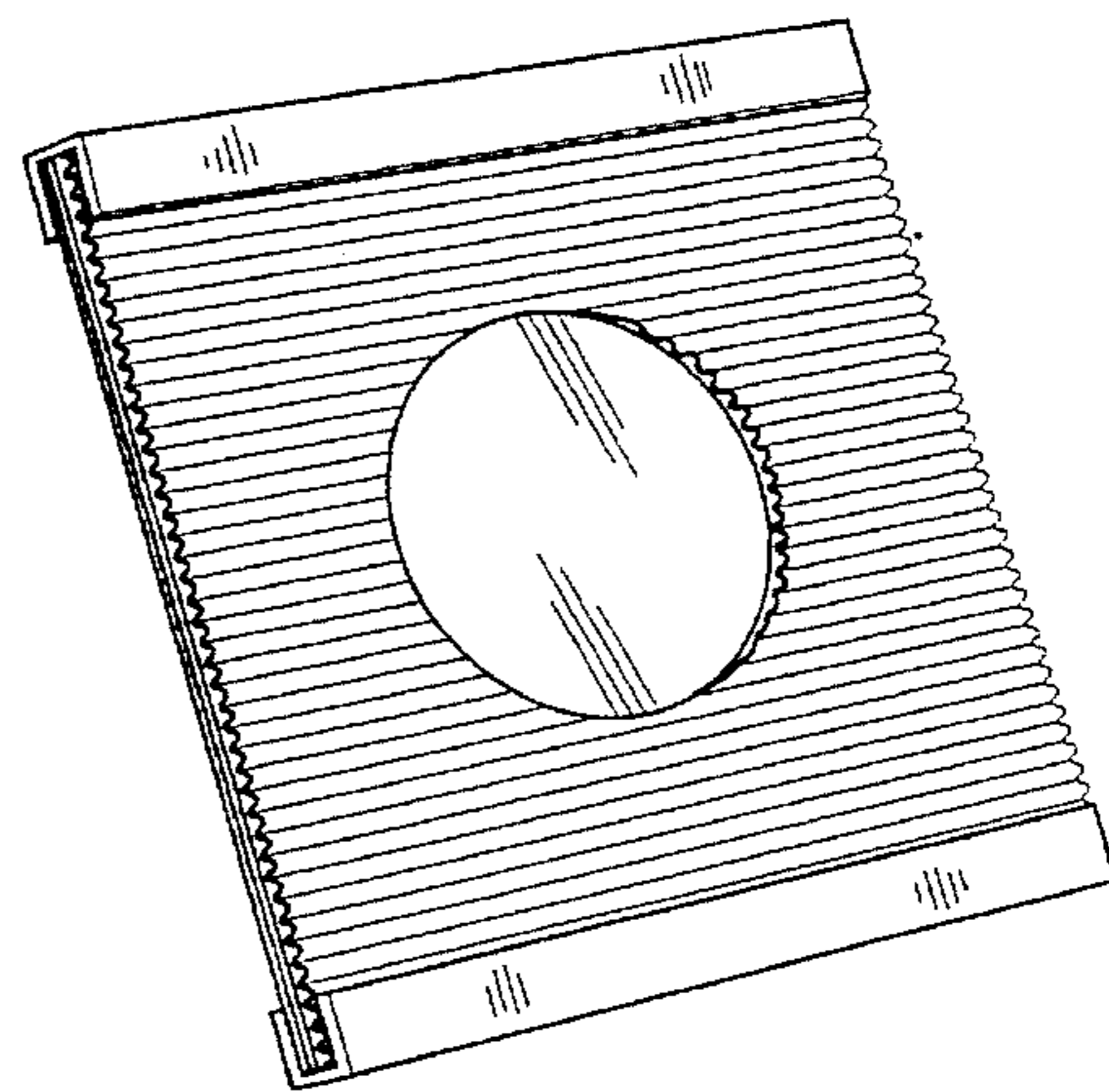


FIG. 8

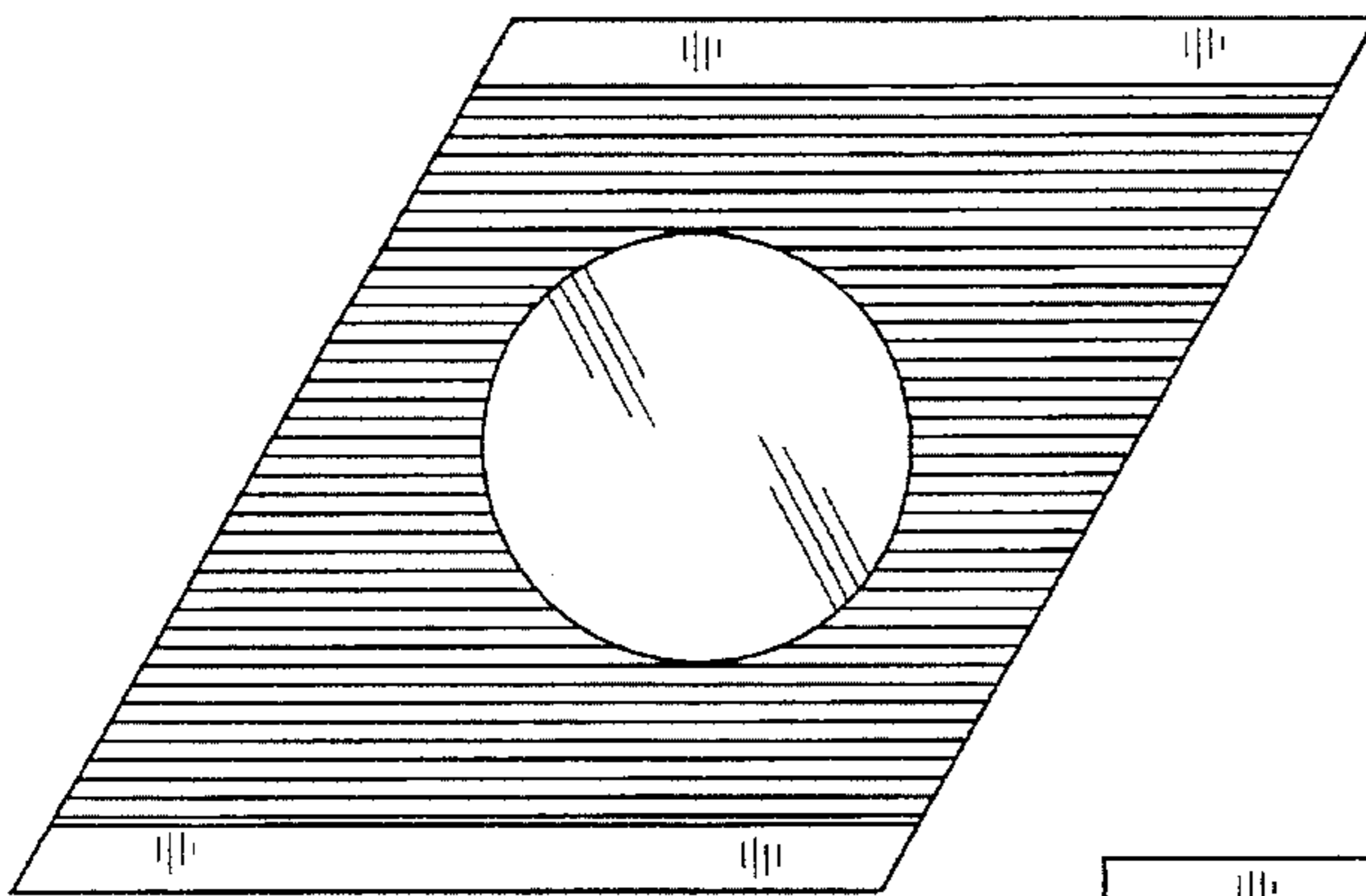


FIG. 9

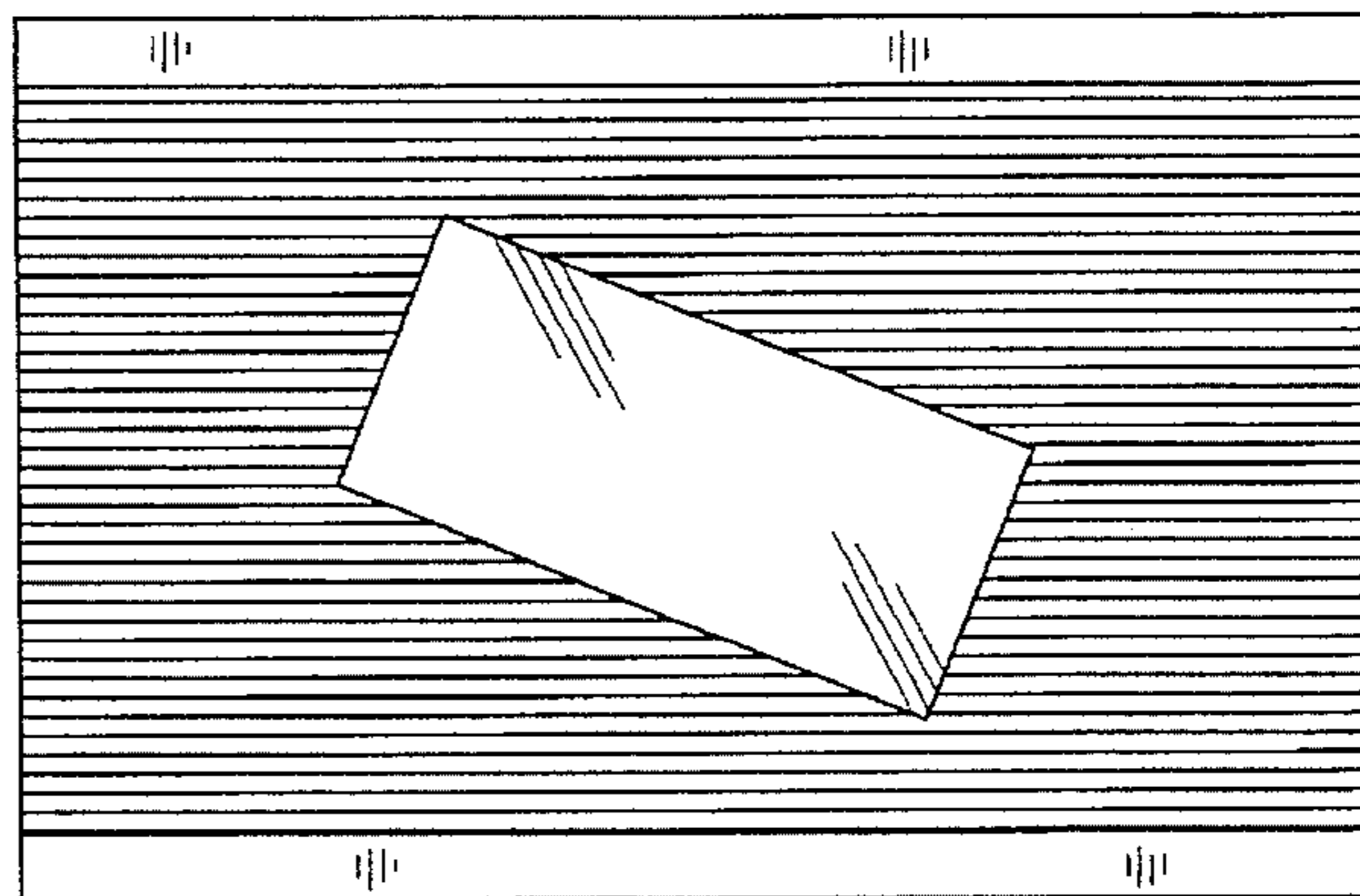


FIG. 10

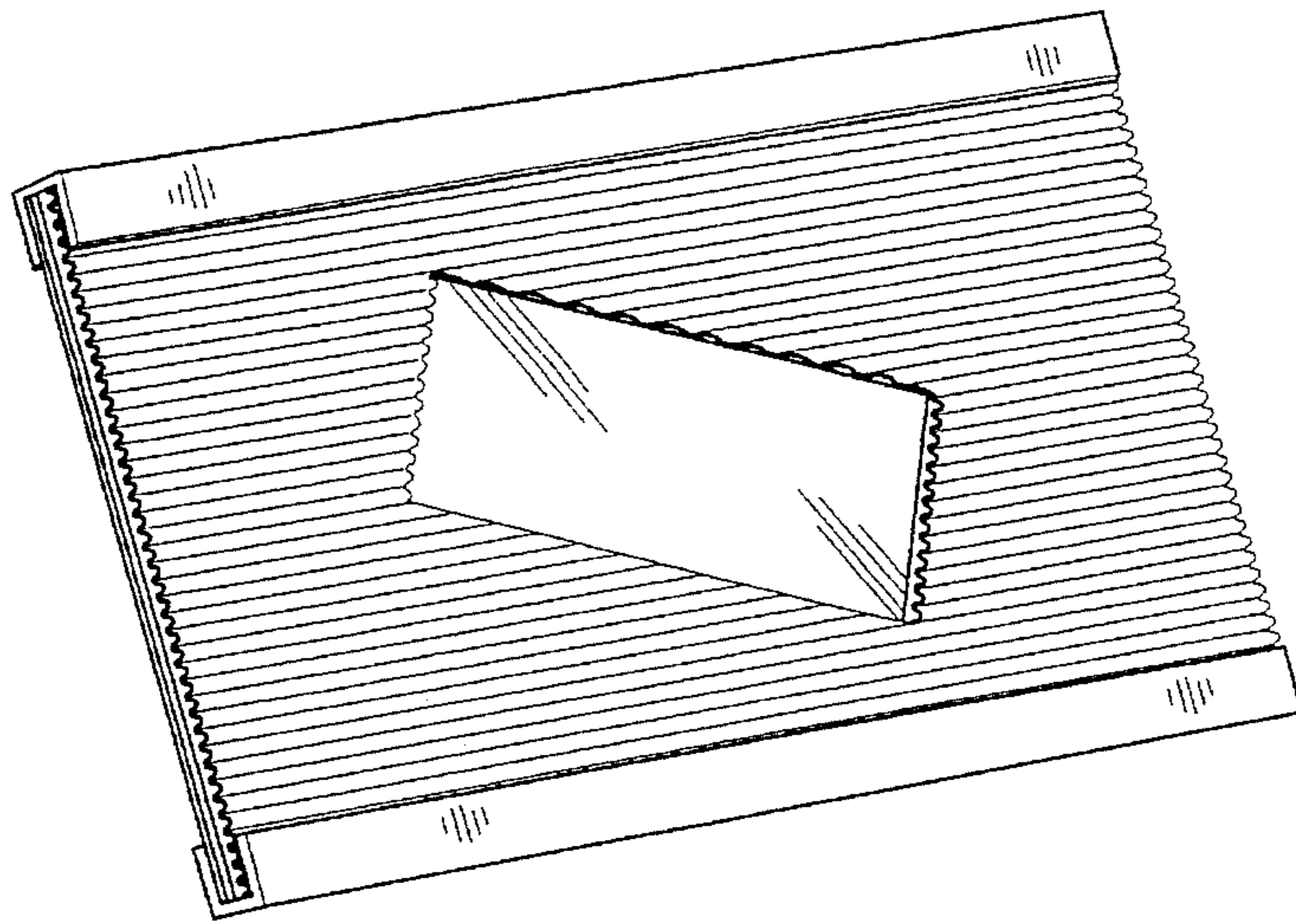


FIG. 11

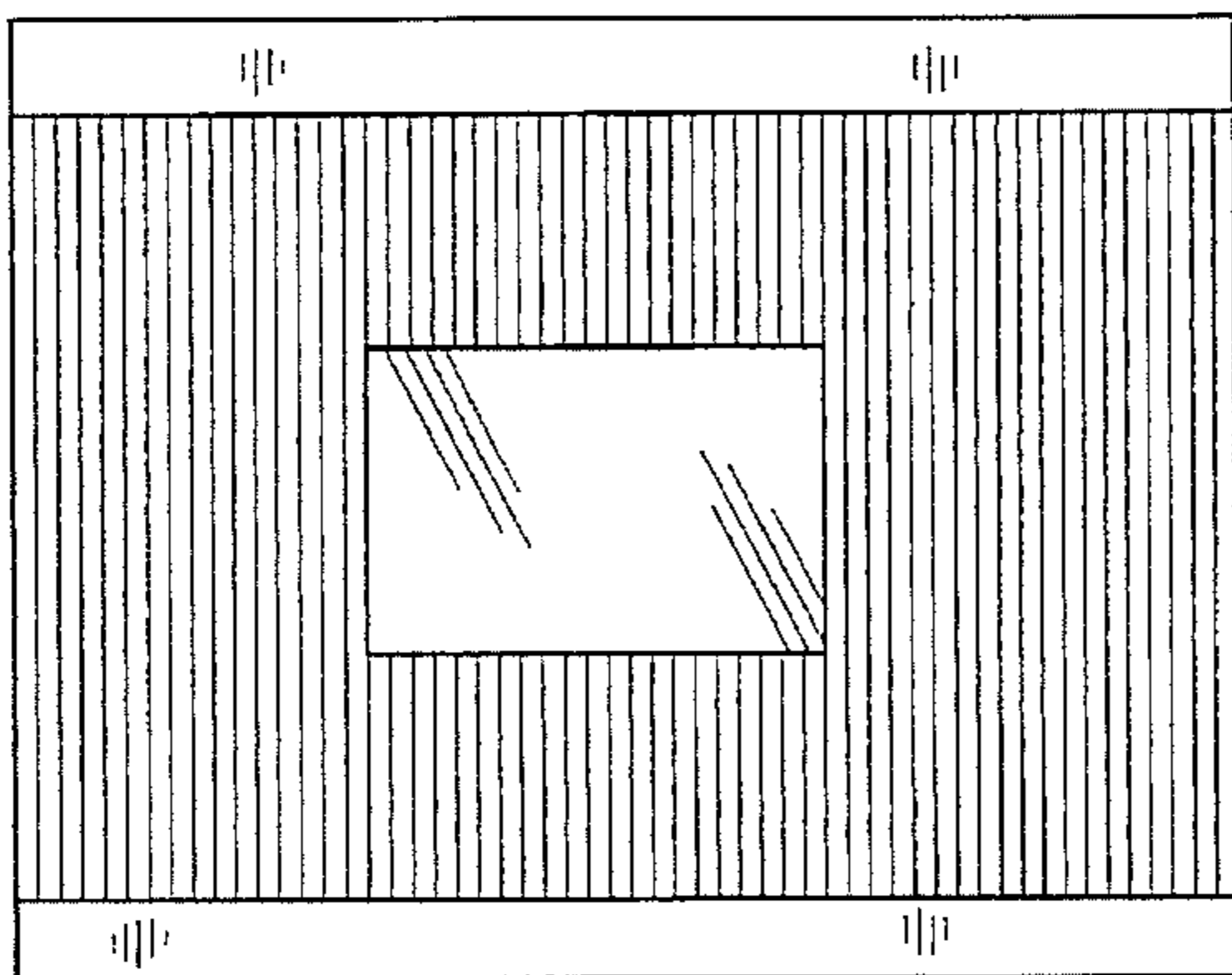


FIG. 12



FIG. 13

