



US00D364504S

United States Patent [19]

Bieber et al.

[11] Patent Number: **Des. 364,504**

[45] Date of Patent: ****Nov. 28, 1995**

[54] SUITCASE

[75] Inventors: **David Bieber**, East Greenwich, R.I.;
Hyun S. Kim, New Castle, Pa.;
Richard L. Conrad, Dublin, Ohio;
John N. Gualtieri, Hauppauge, N.Y.

[73] Assignee: **Airway Industries, Inc.**, Ellwood City, Pa.

[**] Term: **14 Years**

[21] Appl. No.: **30,775**

[22] Filed: **Nov. 8, 1994**

[52] U.S. Cl. **D3/276; D3/279**

[58] Field of Search **D3/272, 273, 274, D3/275, 276, 279, 281, 282; 190/18 A, 100, 103, 107, 109, 110, 111, 112, 115, 116, 124, 126, 900, 901, 902, 903**

[56] References Cited

U.S. PATENT DOCUMENTS

D. 280,044	8/1985	Allen	D3/287
D. 285,879	9/1986	Fuchs	D3/279
D. 292,749	11/1987	Allen	D3/279
D. 351,726	10/1994	Lin	D3/279
D. 354,166	1/1995	Lin	D3/281
D. 354,396	1/1995	Lowenstein	D3/279

D. 354,397	1/1995	Berman	D3/281
D. 358,031	5/1995	Aumasson	D3/276
4,995,487	2/1991	Plath	190/18 A
5,105,920	4/1992	Grebenstein	190/18 A

Primary Examiner—Ted Shooman
Assistant Examiner—Philip Hyder
Attorney, Agent, or Firm—Eckert Seamans Cherin & Mellott; George K. Stacey; Walter J. Blenko, Jr.

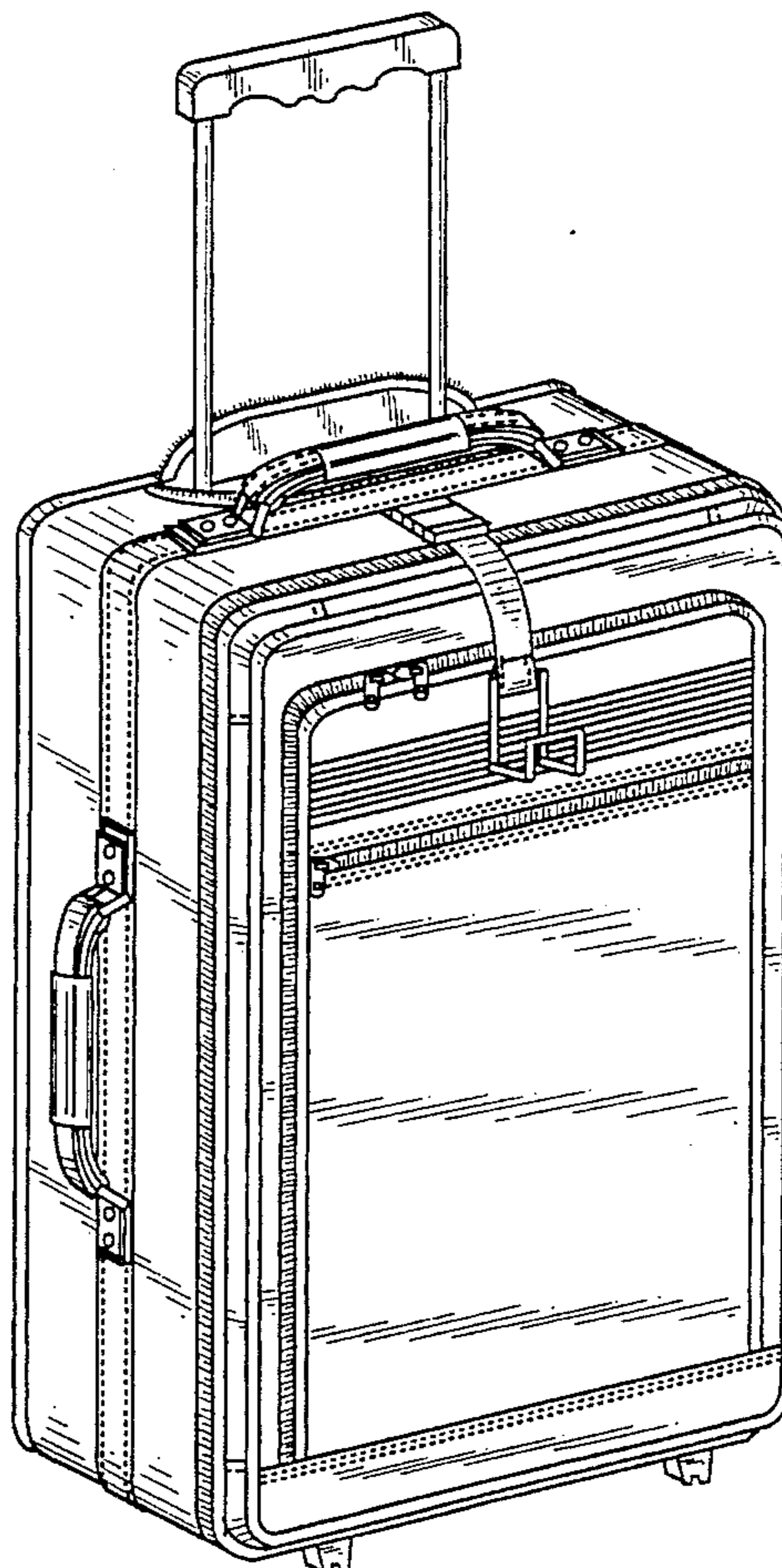
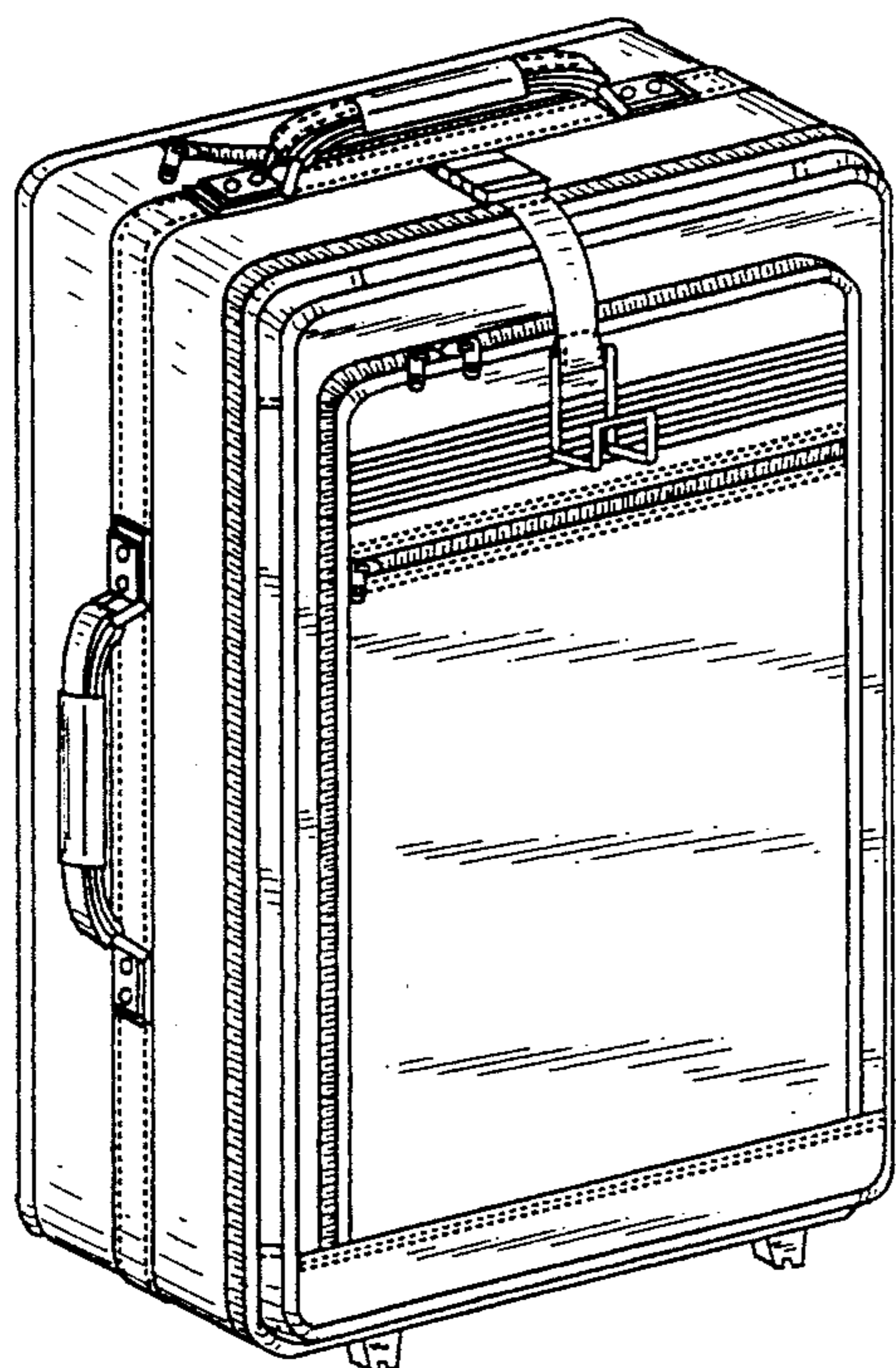
[57] CLAIM

The ornamental design for a suitcase with a retractable pull handle, as shown and described.

DESCRIPTION

FIG. 1 is a perspective view of a suitcase showing my new design, shown with the pull handle in a retracted position; FIG. 2 is a front elevational view of the suitcase of FIG. 1; FIG. 3 is a rear elevational view of the suitcase of FIG. 1; FIG. 4 is a top plan view of the suitcase of FIG. 1; FIG. 5 is a bottom plan view of the suitcase of FIG. 1; FIG. 6 is a left side elevational view of the suitcase of FIG. 1; FIG. 7 is a right side elevational view of the suitcase of FIG. 1; and, FIG. 8 is a perspective view of the suitcase, shown with the pull handle in an extended position.

1 Claim, 5 Drawing Sheets



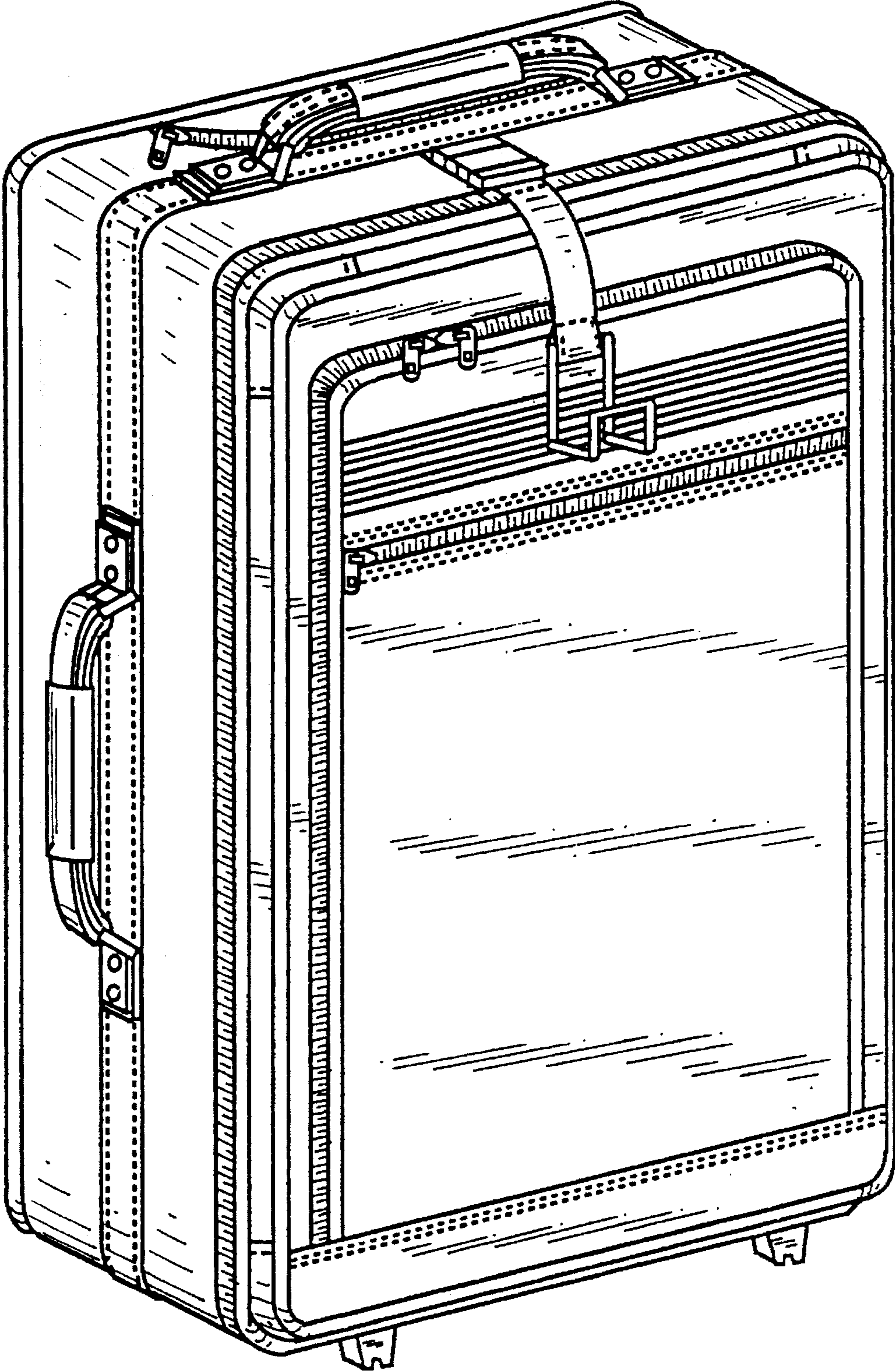


FIG. 1

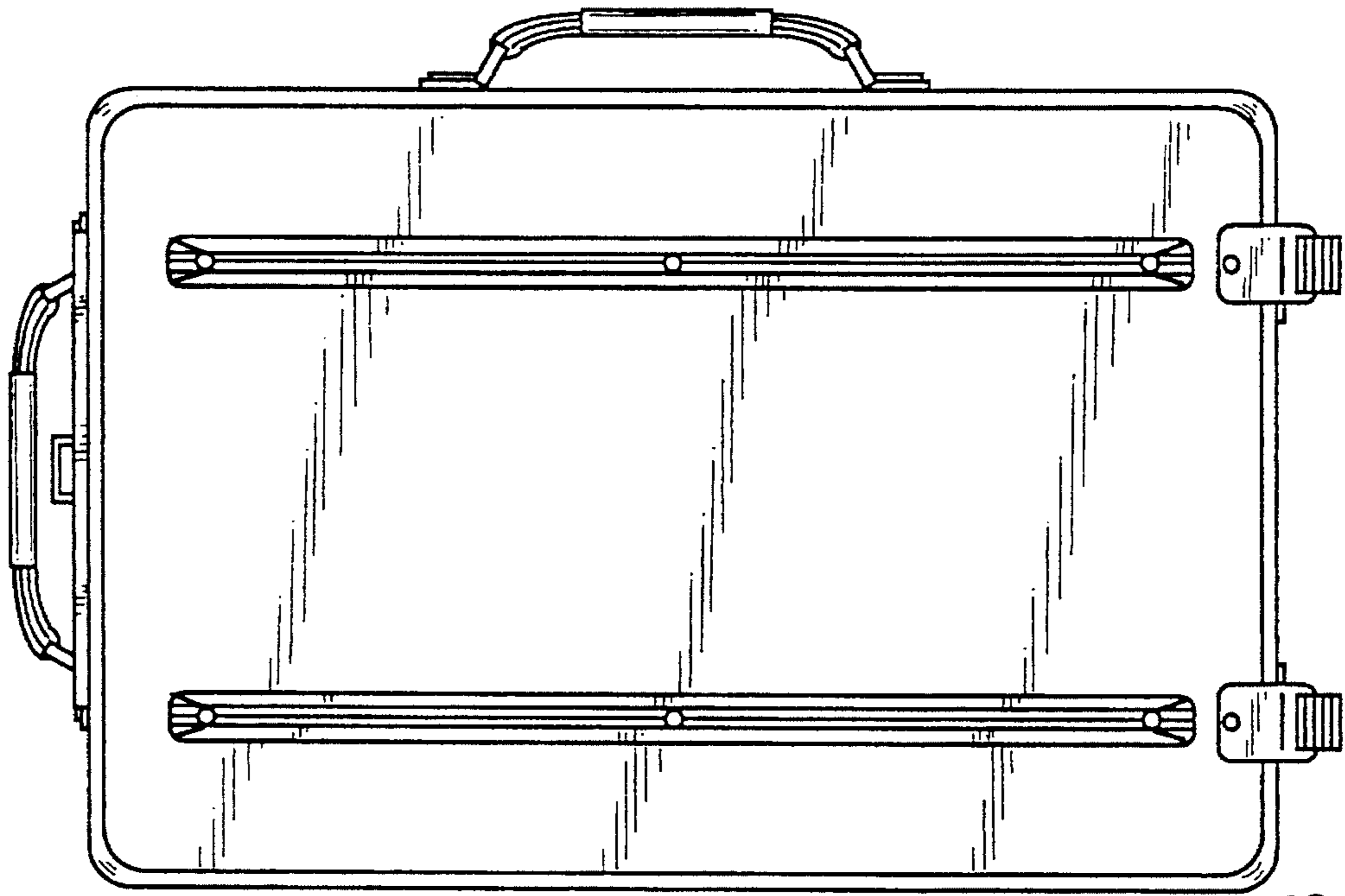


FIG. 3

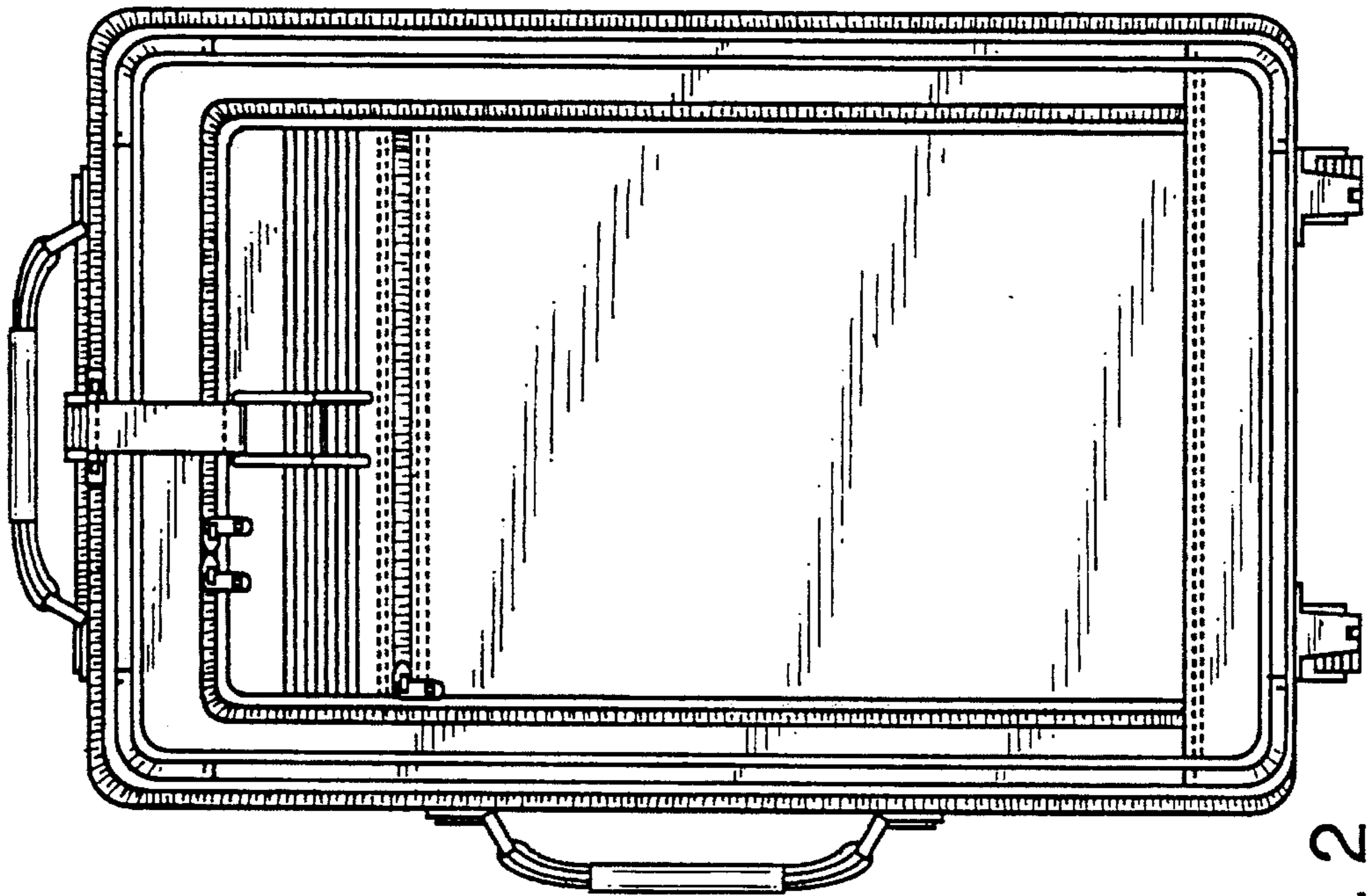


FIG. 2

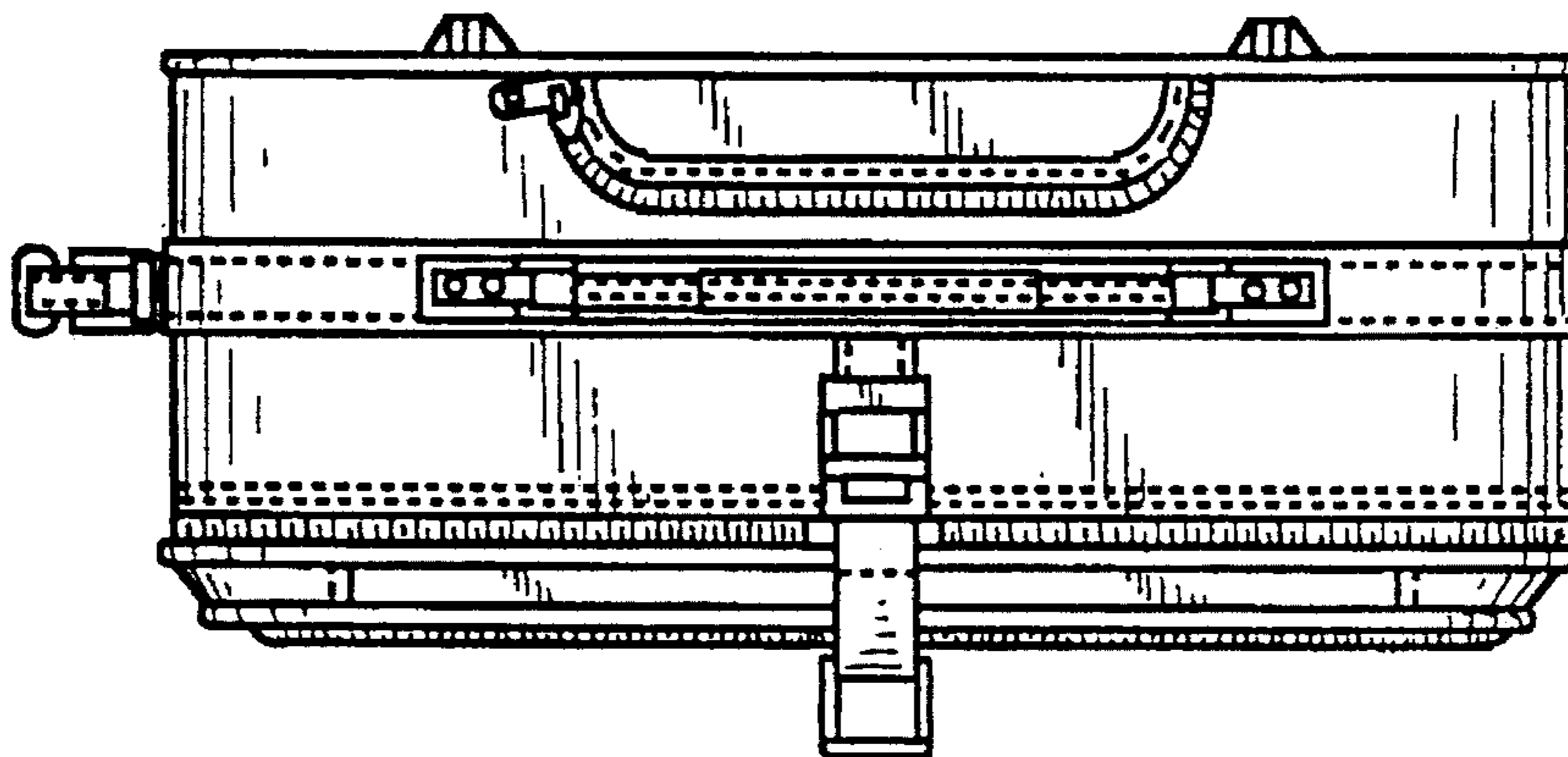


FIG. 4

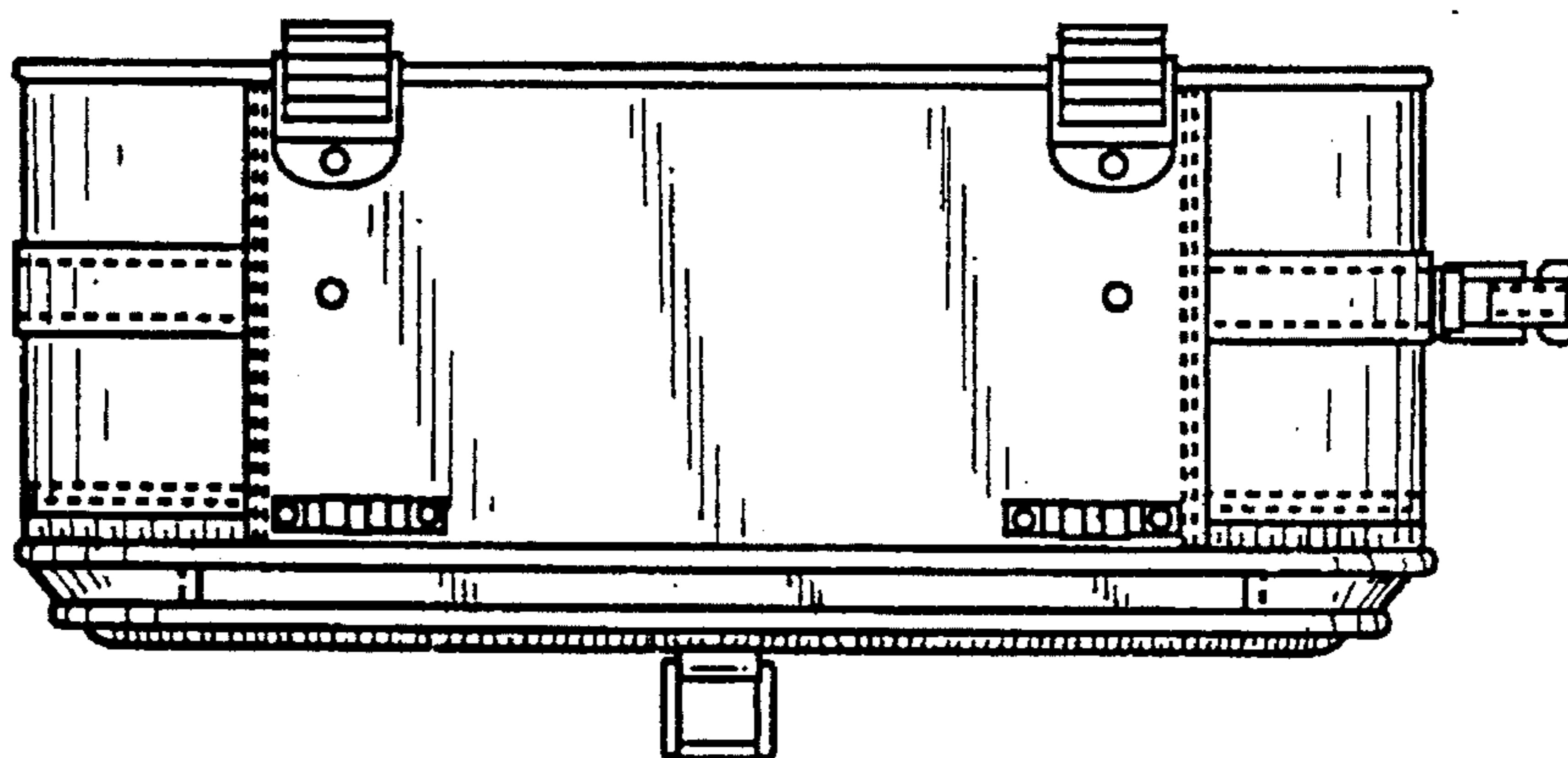


FIG. 5

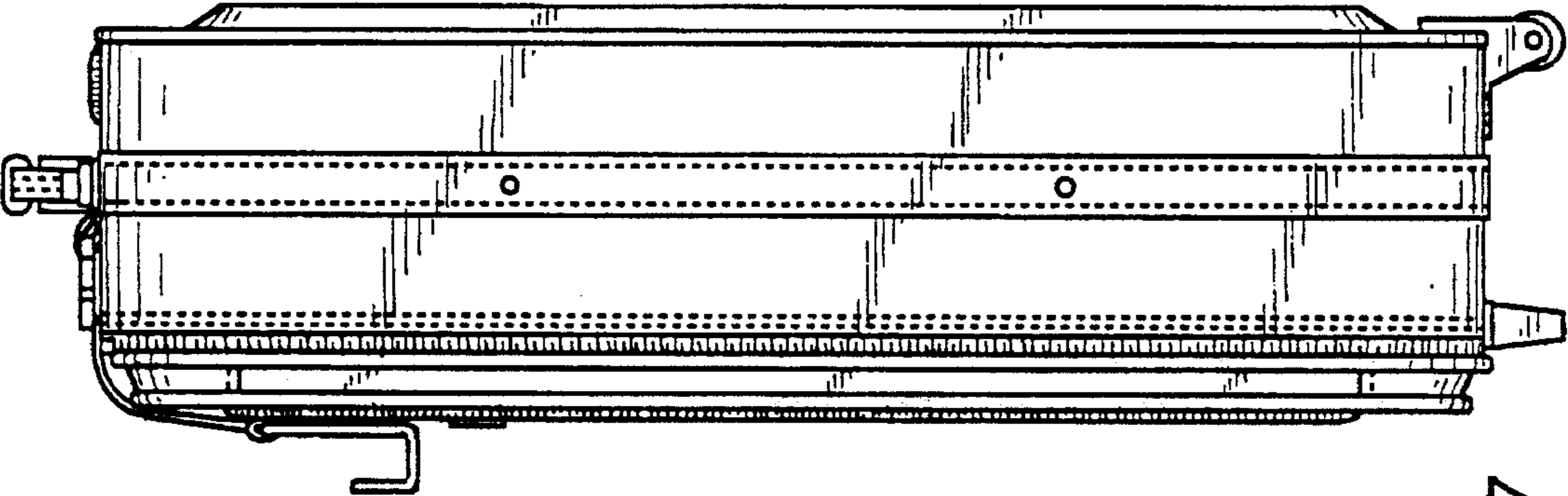


FIG. 7

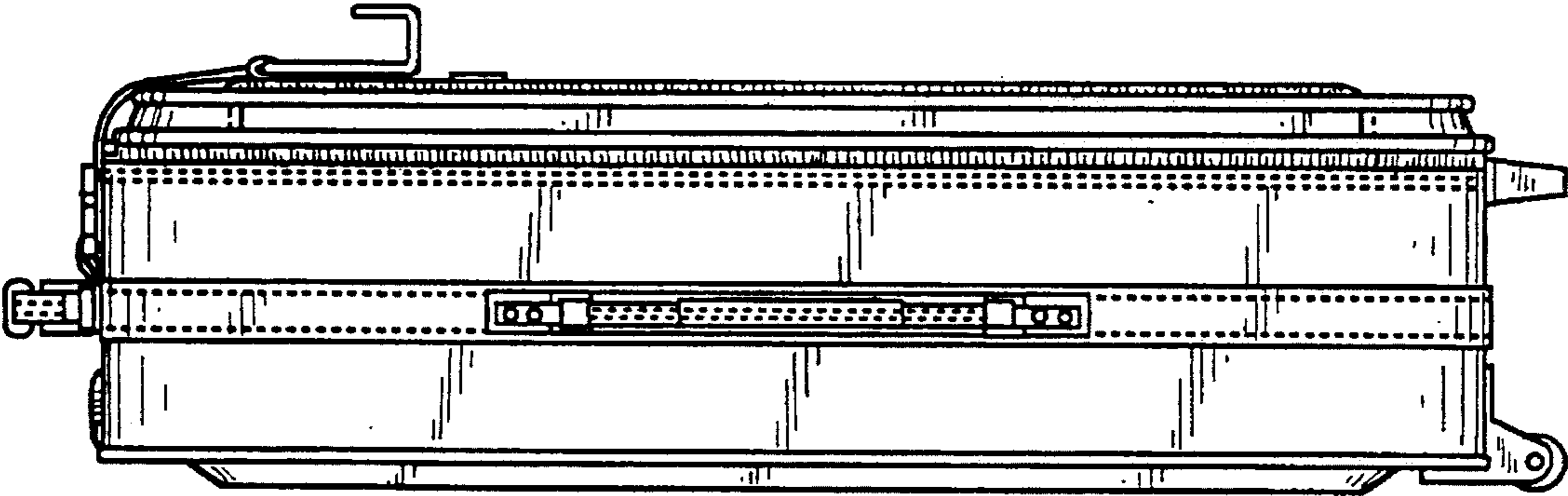


FIG. 6

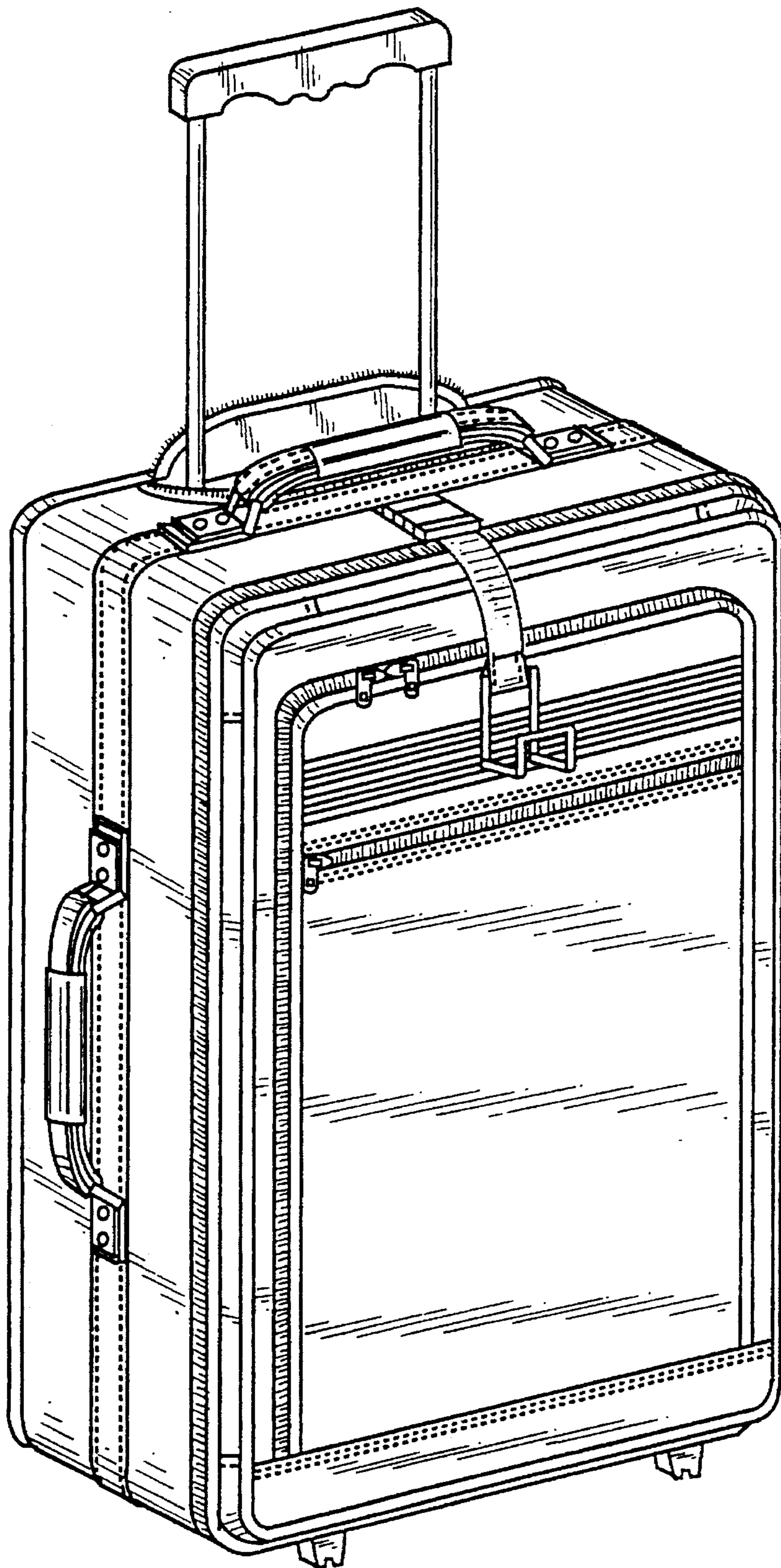


FIG. 8