



US00D364503S

United States Patent [19]

Johnson

[11] Patent Number: **Des. 364,503**

[45] Date of Patent: ****Nov. 28, 1995**

[54] **COMBINED CASE AND BOOK SUPPORT**

[76] Inventor: **Eric S. Johnson**, 26 Carriage Dr., Eastampton, N.J. 08060

[**] Term: **14 Years**

[21] Appl. No.: **18,828**

[22] Filed: **Feb. 16, 1994**

[52] U.S. Cl. **D3/273; D3/274; D6/420**

[58] Field of Search **D3/273, 274, 276, D3/283, 284, 294, 295, 900; 190/100, 115, 109, 122; D9/423; D6/419, 420**

[56] **References Cited**

U.S. PATENT DOCUMENTS

- 3,794,284 2/1974 Guenther .
- 3,905,573 9/1975 Davis .
- 4,496,127 1/1985 Nelson .

Primary Examiner—Dominic Simone
Attorney, Agent, or Firm—Terry M. Gernstein

[57] **CLAIM**

The ornamental design for a combined case and book support, as shown and described.

DESCRIPTION

FIG. 1 is a front, top and side perspective view of the combined case and book support showing my new design in the open condition;

FIG. 2 is a front elevational view thereof;

FIG. 3 is a rear elevational view thereof;

FIG. 4 is a side elevational view thereof;

FIG. 5 is a side elevational view thereof;

FIG. 6 is a top plan view thereof; and,

FIG. 7 is a bottom plan view thereof.

1 Claim, 4 Drawing Sheets

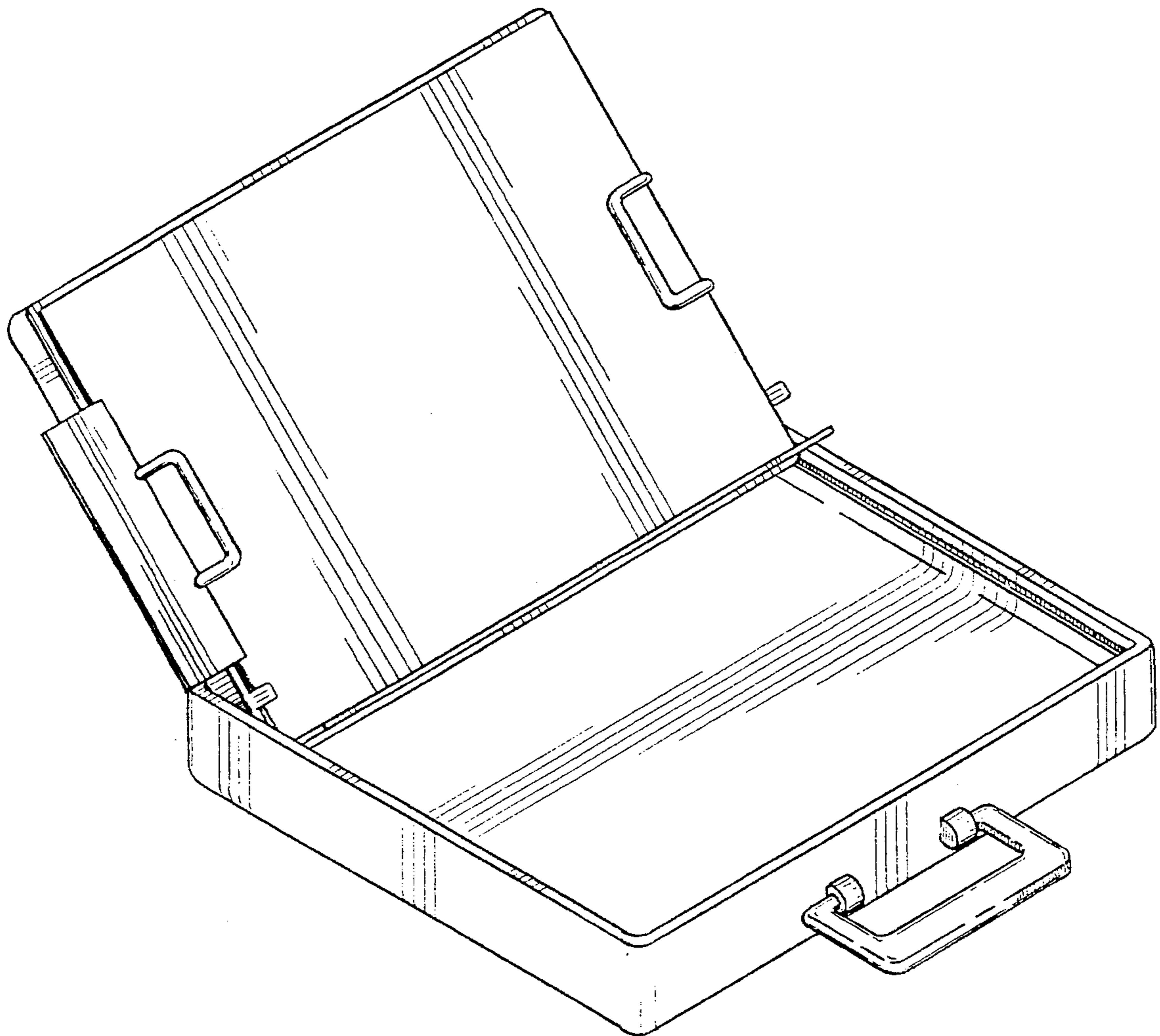
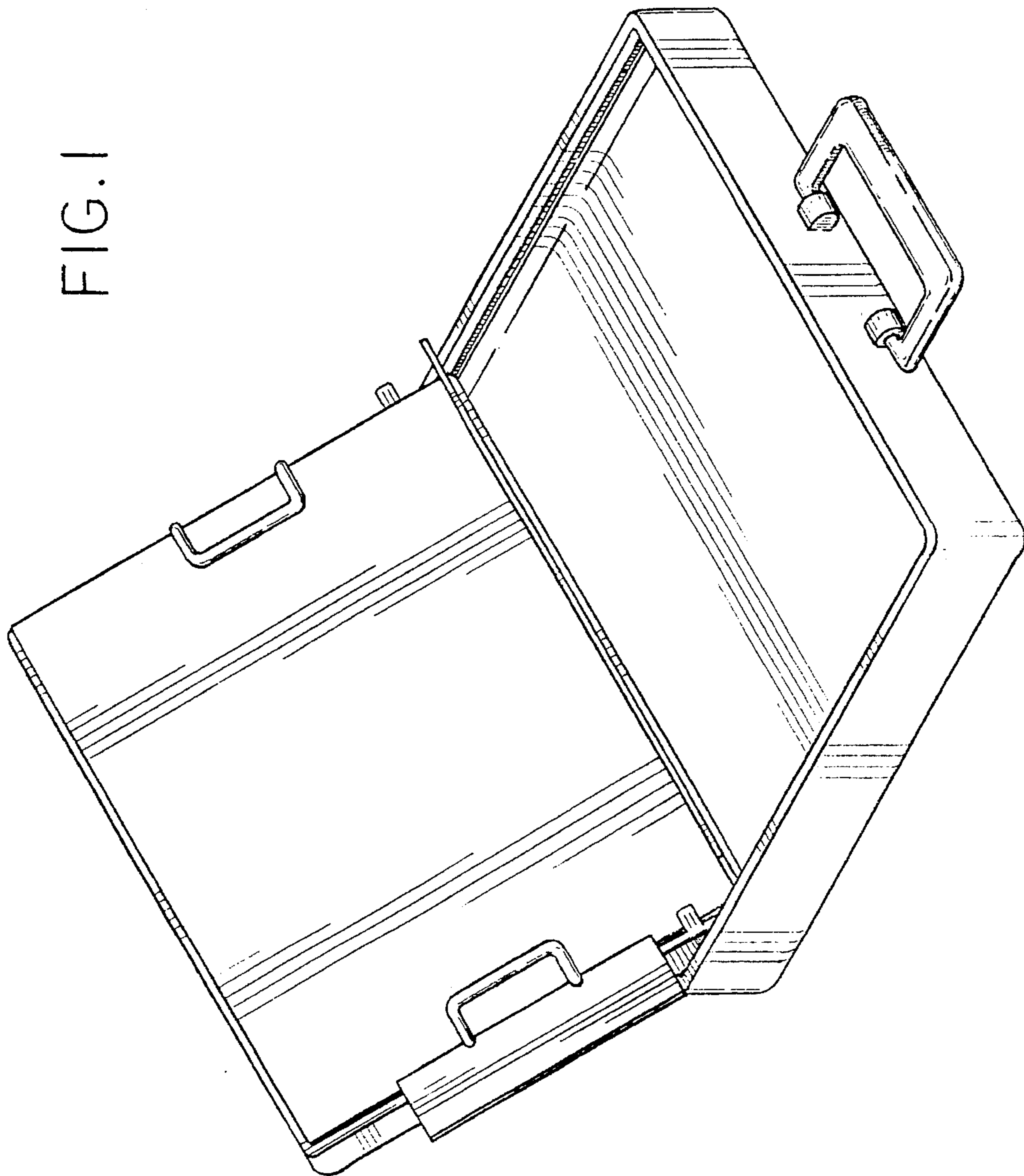


FIG. 1



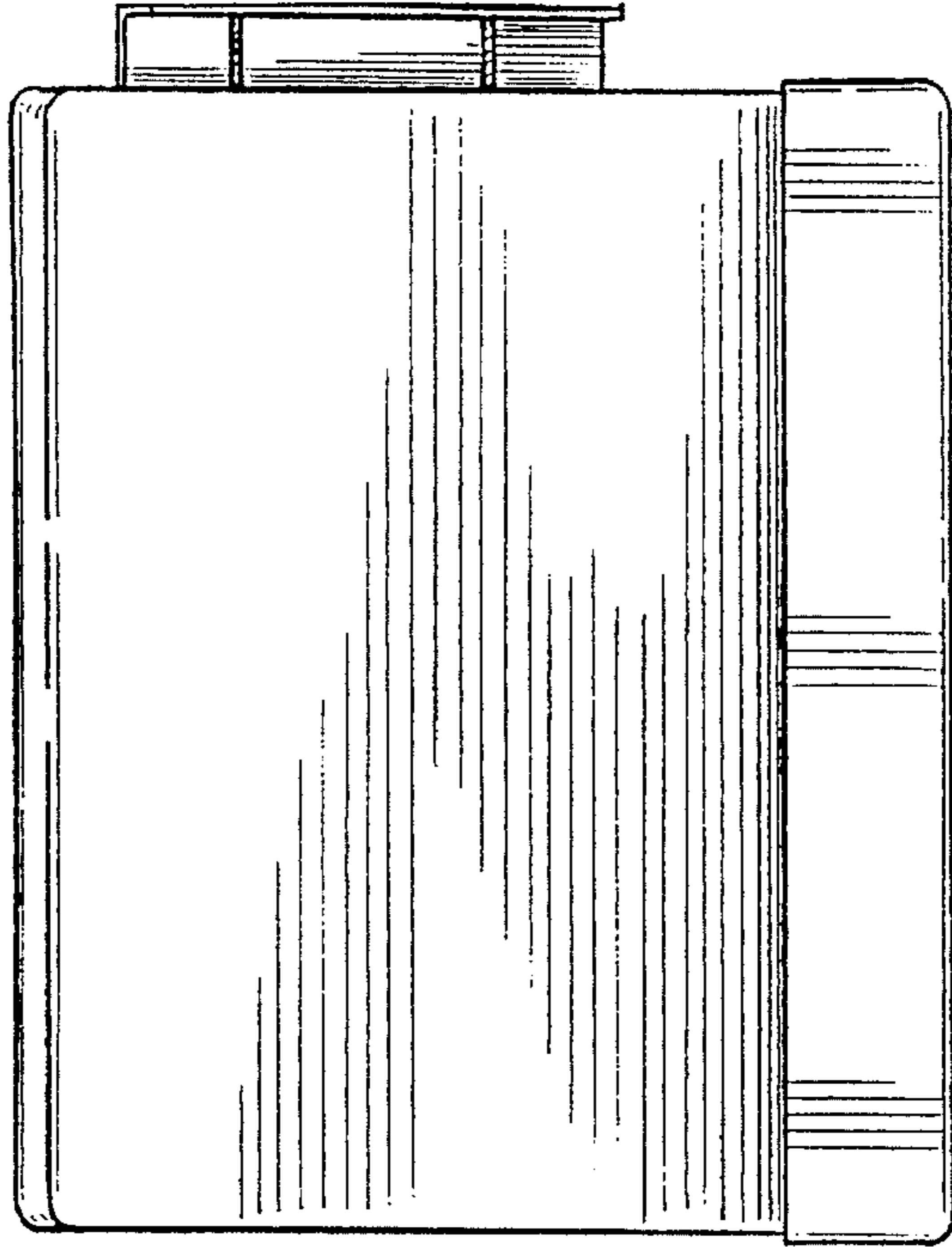


FIG. 3

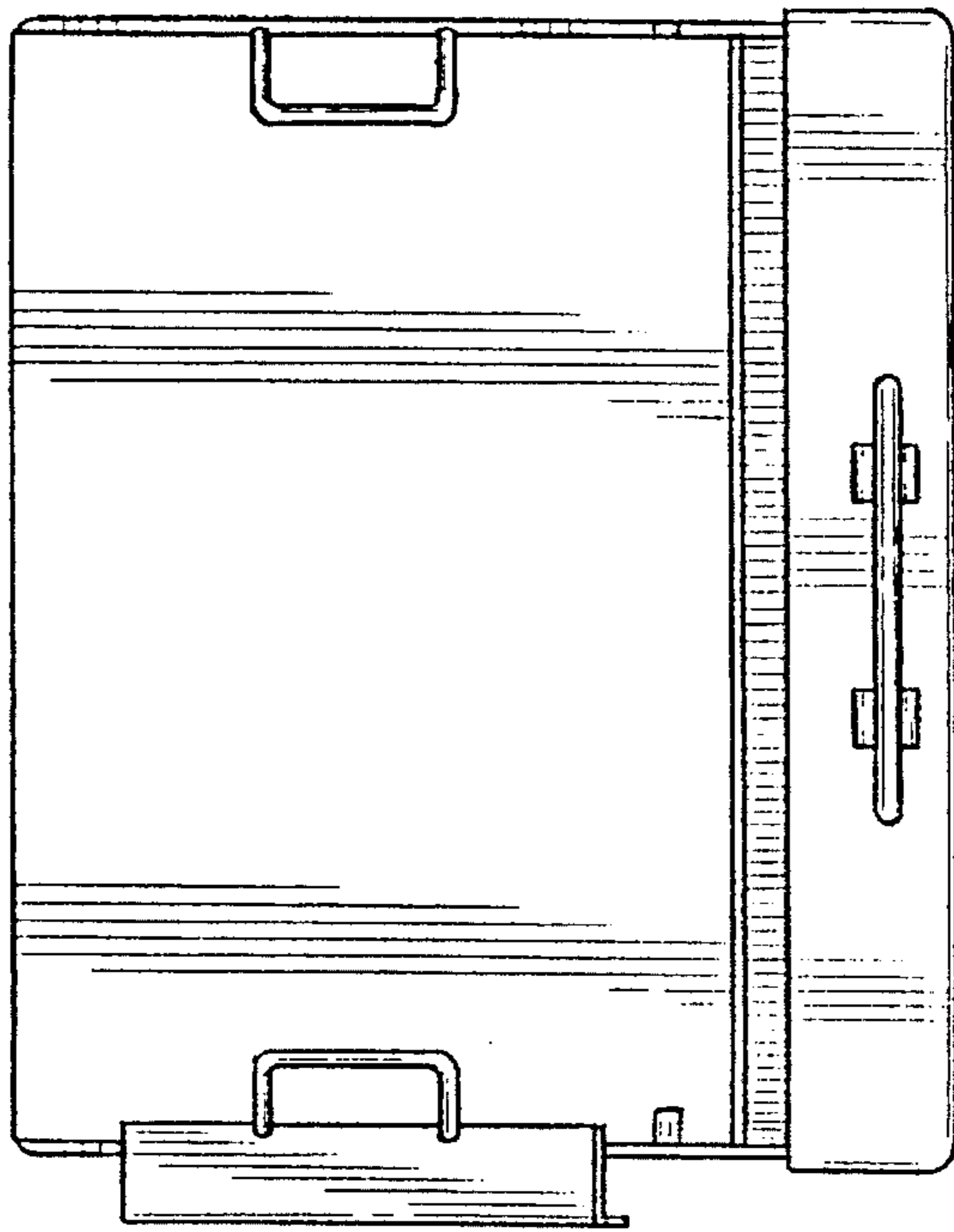


FIG. 2

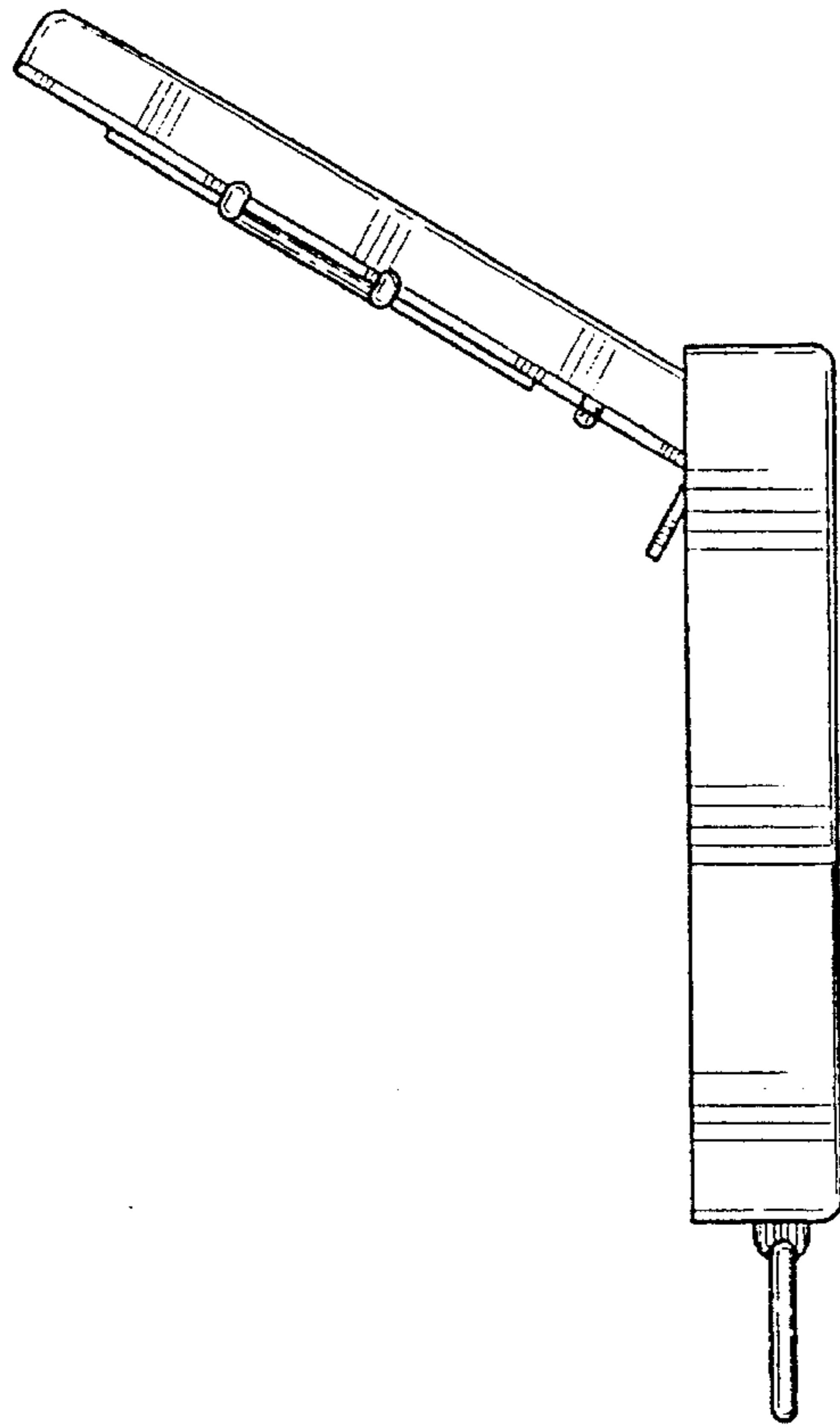


FIG. 5

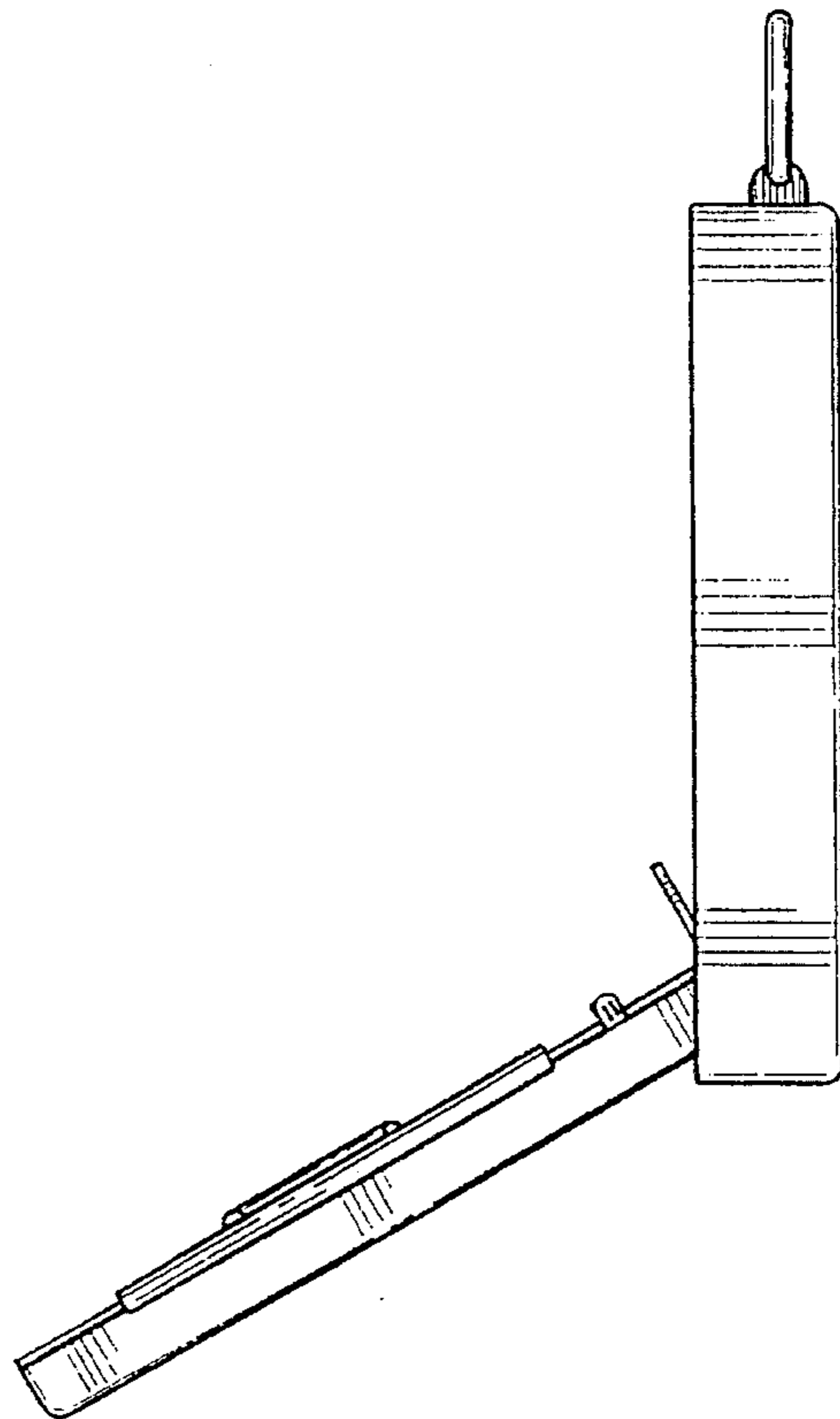


FIG. 4

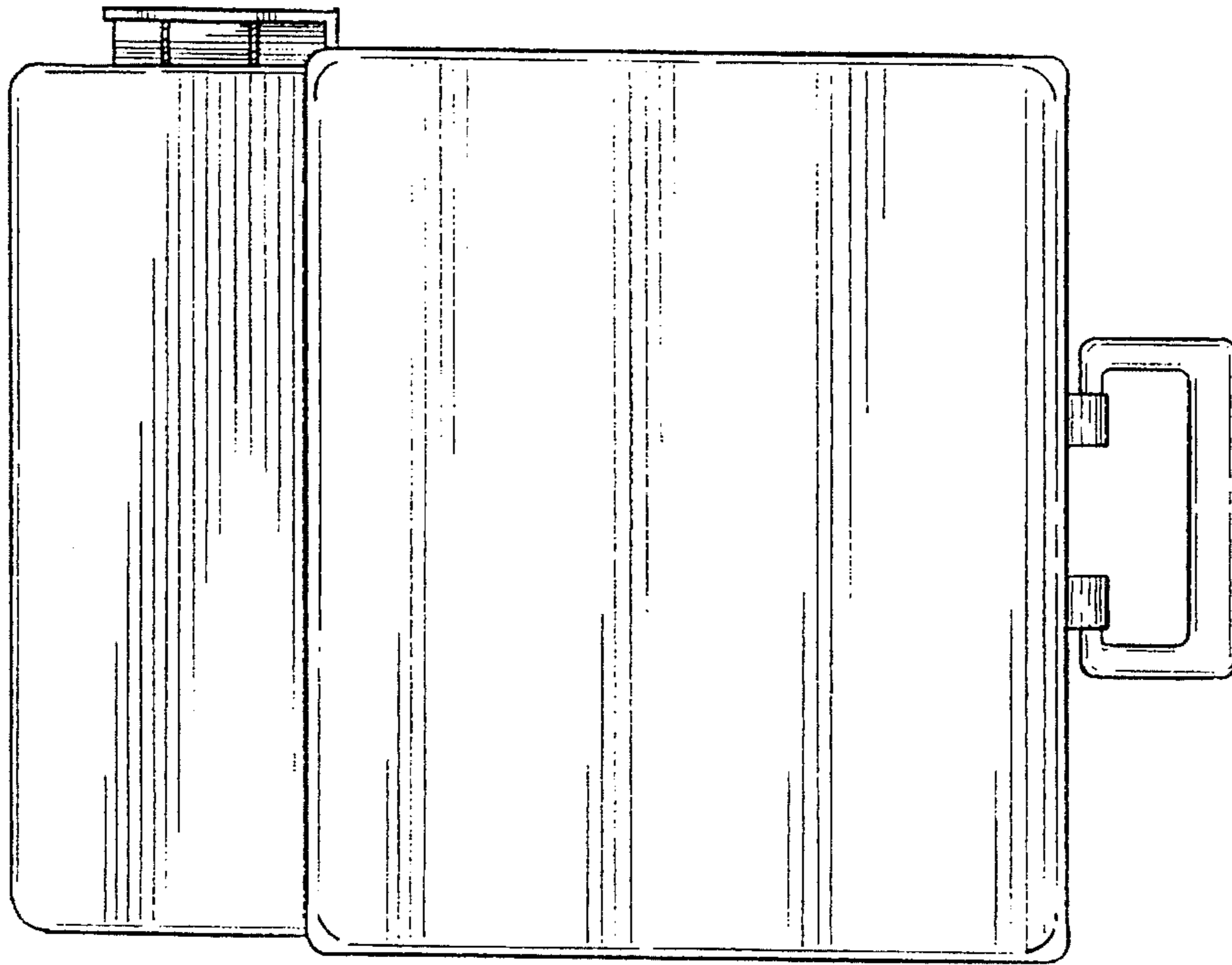


FIG. 7

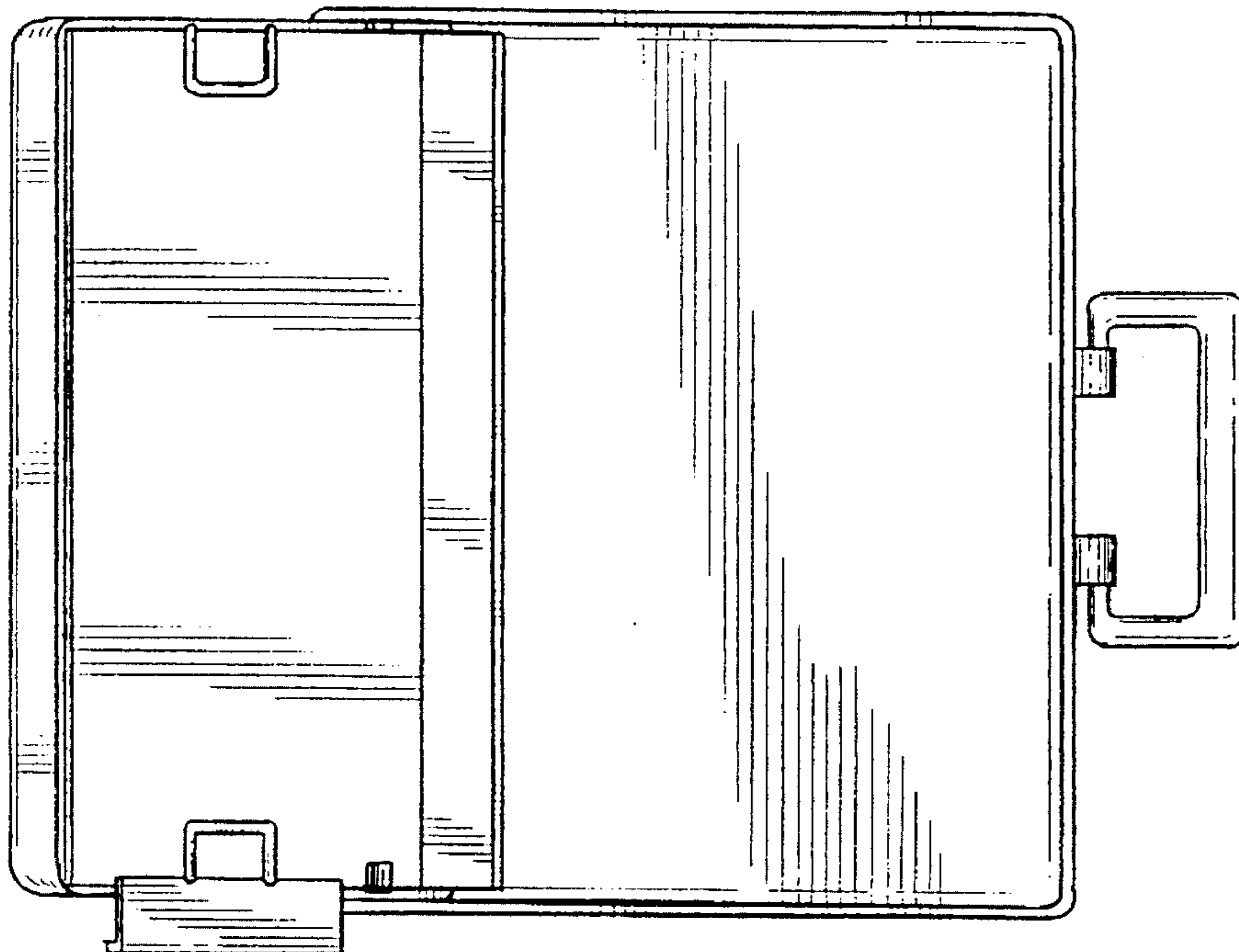


FIG. 6