



US00D364502S

United States Patent [19]

[11] **Patent Number: Des. 364,502**

Howard

[45] **Date of Patent: **Nov. 28, 1995**

[54] **KEY CADDY**

5,123,579 6/1992 Sugiyama 70/456 R

[76] Inventor: **James E. Howard**, 387 Boling Rd.,
Utica, Ky. 42376

Primary Examiner—Ralf Seifert

[**] Term: **14 Years**

[57] **CLAIM**

The ornamental design for a key caddy, as shown and described.

[21] Appl. No.: **25,967**

DESCRIPTION

[22] Filed: **Jul. 15, 1994**

[52] **U.S. Cl.** **D3/207**

[58] **Field of Search** D3/207-212; 224/163;
70/456.12, 456 B, 458, 459

FIG. 1 is a front elevational view of the key caddy showing my new design;
FIG. 2 is a rear elevational view thereof;
FIG. 3 is a left side elevational view thereof;
FIG. 4 is a right side elevational view thereof;
FIG. 5 is a top plan view thereof;
FIG. 6 is a bottom plan view thereof;
FIG. 7 is an isometric view showing a use thereof;
FIG. 8 is an isometric view showing the item at a right angle thereof; and,
FIG. 9 is an isometric view showing the item at a left angle. The broken line showing of indica and keys in FIGS. 1, 2 and 7-9 are for illustrative purposes only and form no part of the claimed design.

[56] **References Cited**

U.S. PATENT DOCUMENTS

| | | | | |
|------------|---------|----------------|-------|----------|
| D. 245,371 | 8/1977 | Mowry | | D3/207 |
| D. 259,073 | 5/1981 | Holmes | | D3/207 |
| D. 295,920 | 5/1988 | Osofsky et al. | | D3/207 |
| D. 308,293 | 6/1990 | Marlin | | D3/207 |
| D. 315,641 | 3/1991 | Semeniuk | | D3/207 |
| 2,859,789 | 11/1958 | Bucket | | D3/207 |
| 3,606,777 | 9/1971 | Watson | | 70/456 R |
| 4,796,750 | 1/1989 | Inghram | | 70/456 R |
| 4,901,549 | 2/1990 | Dengel | | 70/456 R |
| 5,046,343 | 9/1991 | Miwa | | 70/456 R |

1 Claim, 6 Drawing Sheets

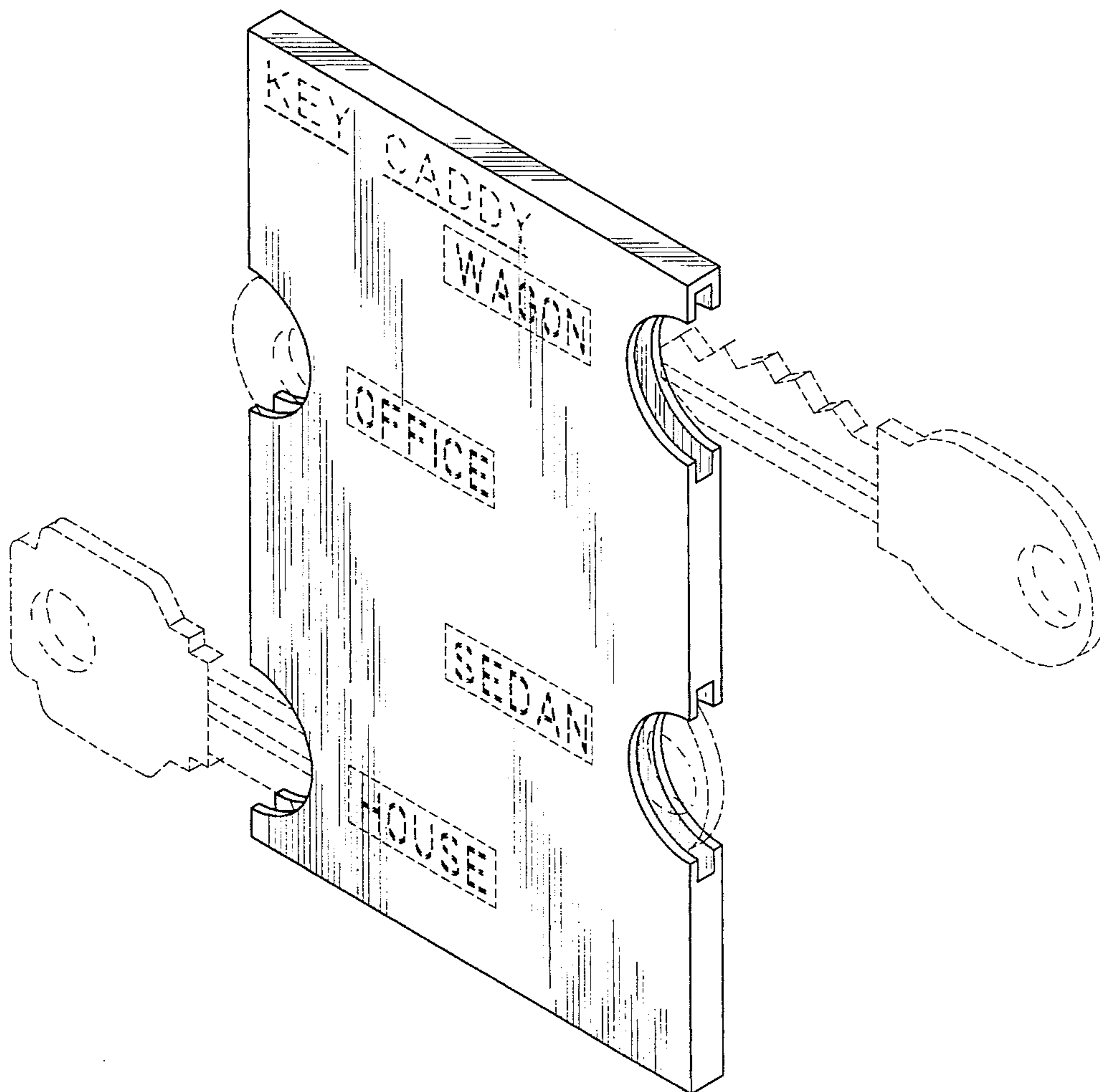


FIG. 1

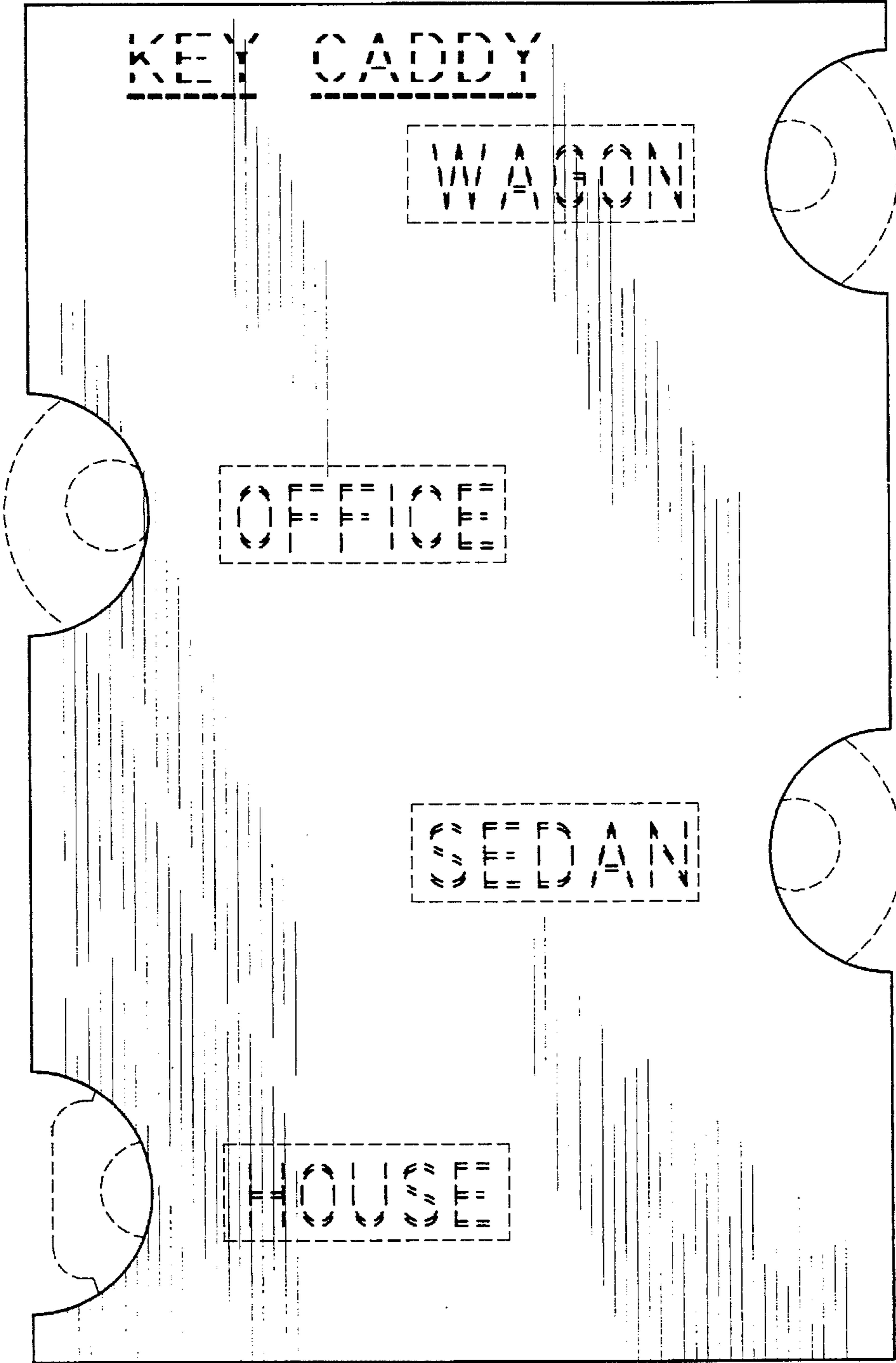


FIG. 2

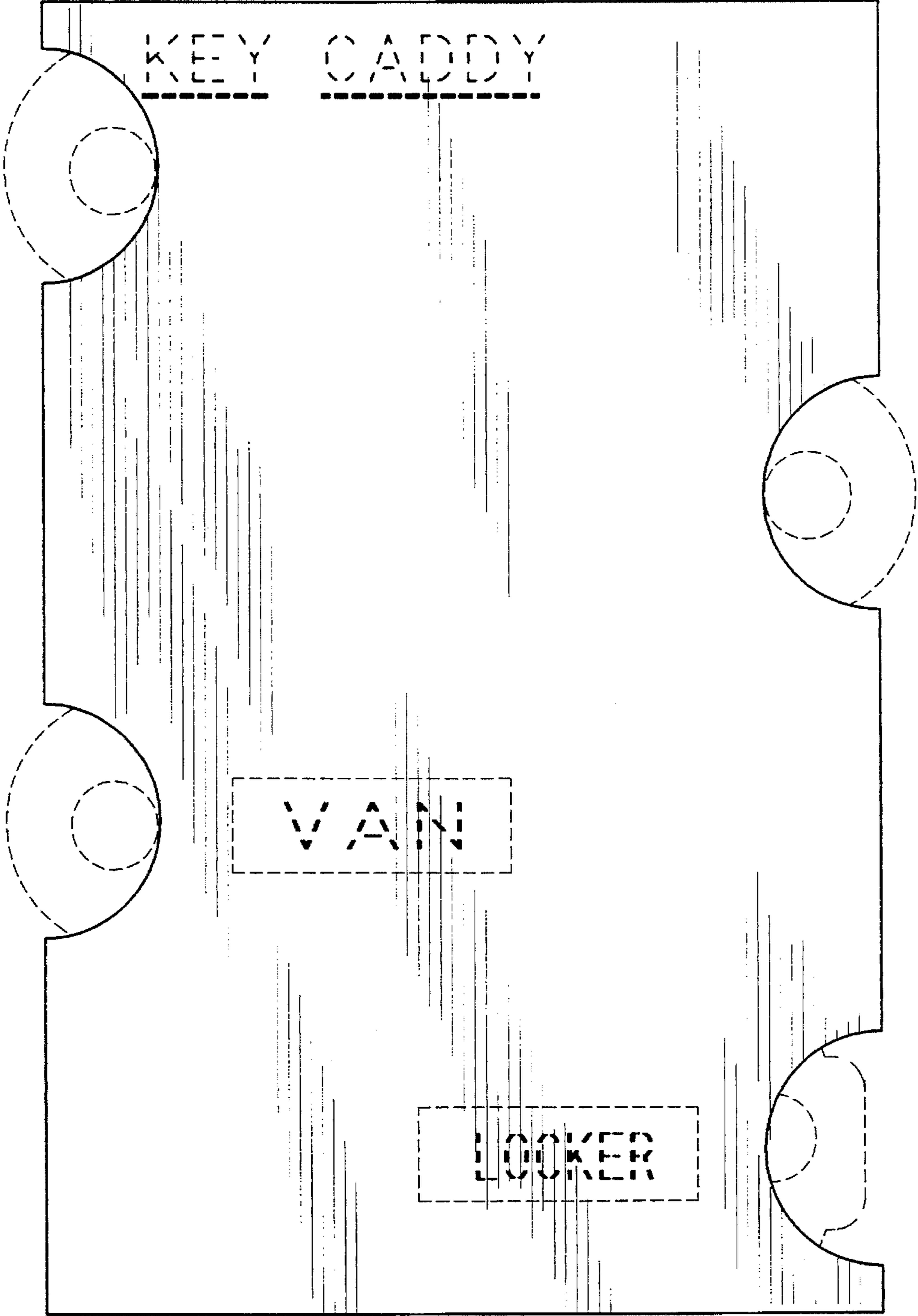


FIG. 3



FIG. 4



FIG. 5



FIG. 6



FIG. 7

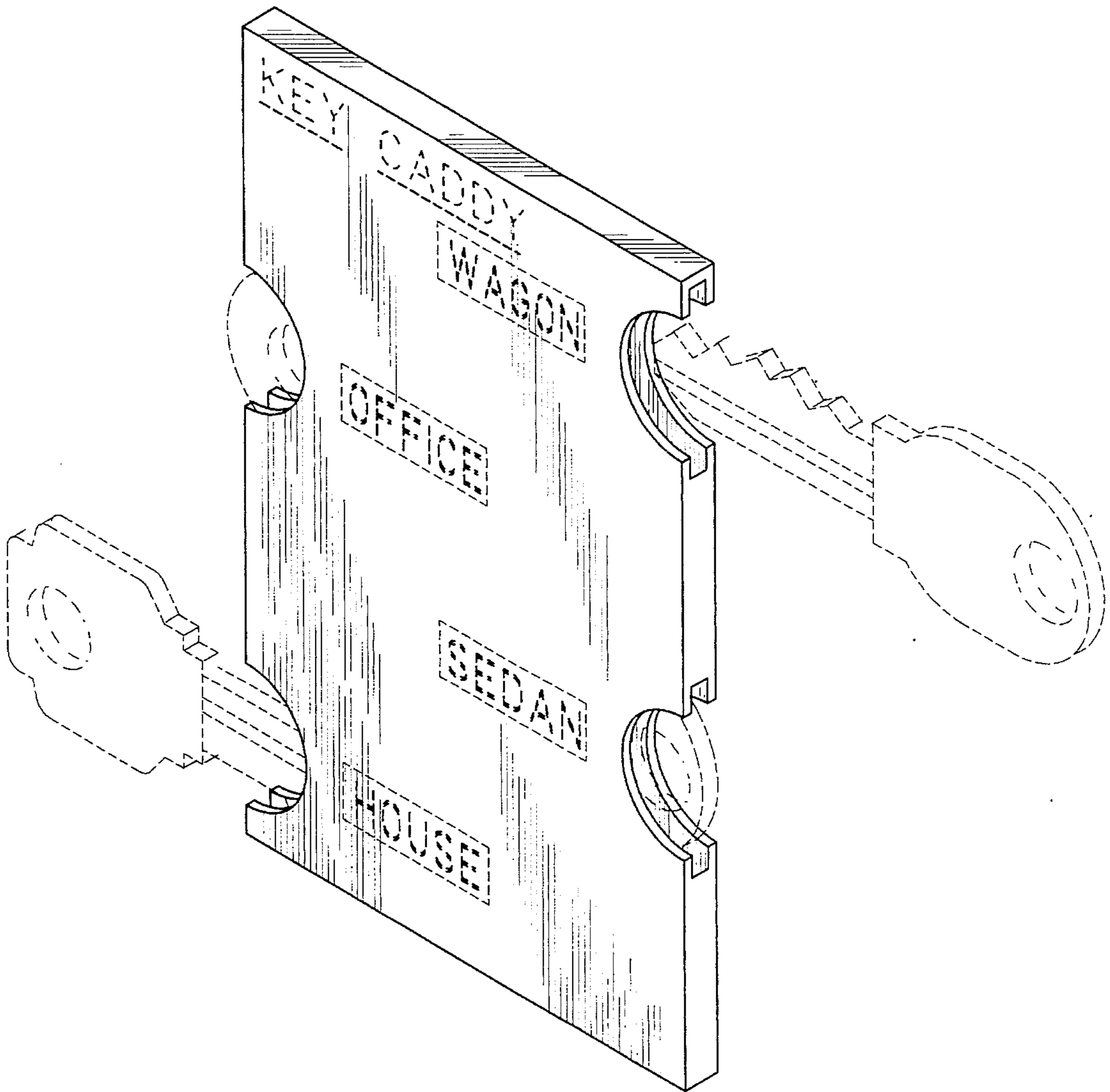


FIG. 8

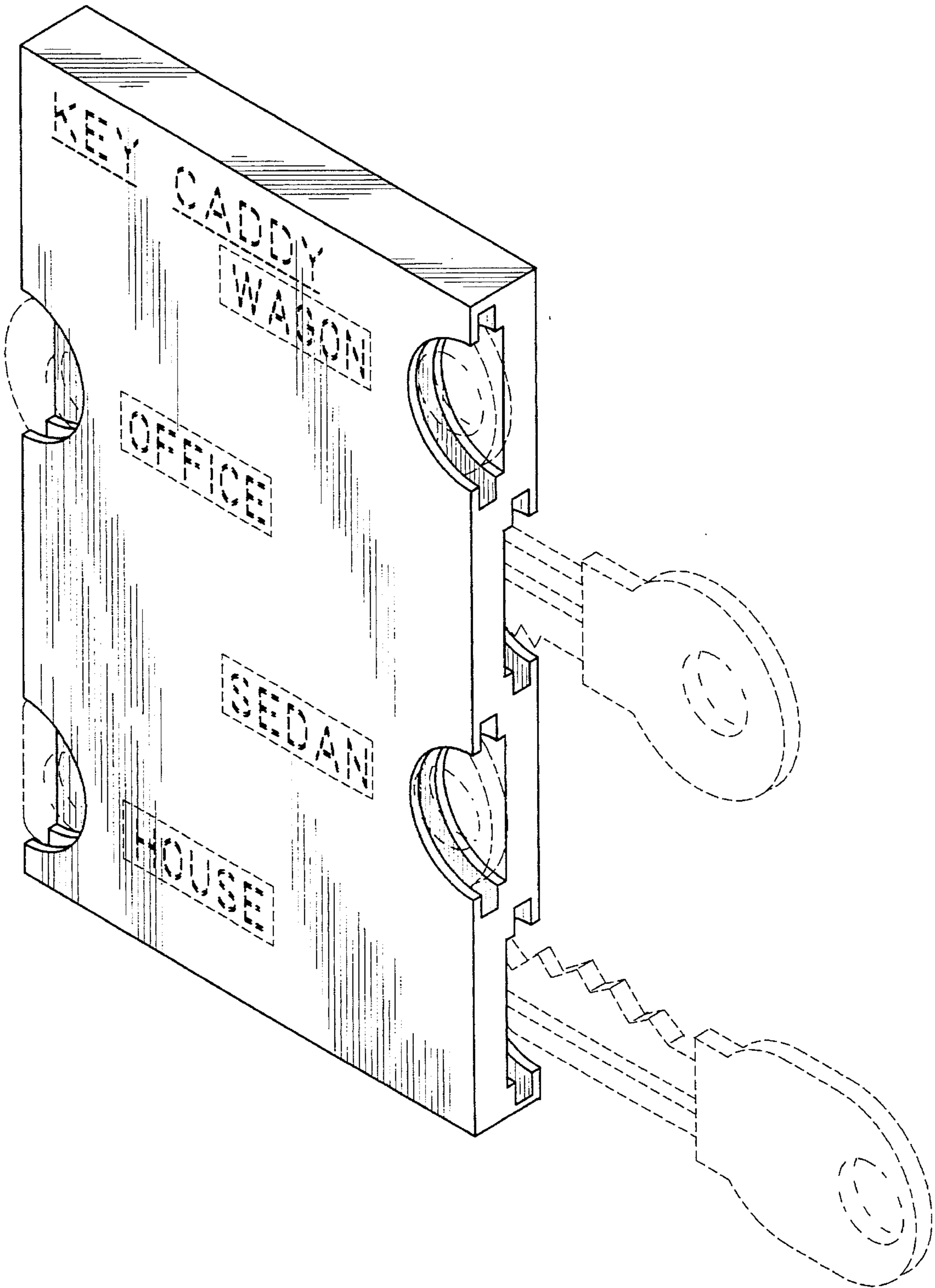


FIG. 9

