



US00D364494S

# United States Patent [19]

[11] Patent Number: **Des. 364,494**

Sisera et al.

[45] Date of Patent: **\*\*Nov. 28, 1995**

[54] **BASKETBALL CAP**

D. 313,496 1/1991 Pesta ..... D2/869  
5,343,567 9/1994 Zumbiel ..... D2/872 X

[76] Inventors: **Gino Sisera; Victor Sisto**, both of  
Uniscreen Design Ltd., 6315 Shawson  
Drive, Unit 18, Mississauga, Ontario,  
Canada, L5T 1J2

*Primary Examiner*—Ted Shooman  
*Assistant Examiner*—Paula Mortimer  
*Attorney, Agent, or Firm*—Eugene J. A. Gierczak

[\*\*] Term: **14 Years**

[57] **CLAIM**

The ornamental design for the basketball cap, as shown and described.

[21] Appl. No.: **27,537**

[22] Filed: **Aug. 24, 1994**

### DESCRIPTION

[52] U.S. Cl. .... **D2/369; D2/872**

FIG. 1 is a front perspective view of a basketball cap showing my new design;

[58] Field of Search ..... D2/865, 866, 867,  
D2/868, 869, 872, 876, 879, 882; 2/177,  
181, 195.1; D21/204

FIG. 2 is an enlarged fragmentary view of the pattern which repeats uniformly in the section of the crown as indicated in FIG. 1;

FIG. 3 is a top plan view thereof;

FIG. 4 is a side elevational view thereof, the opposite side is a mirror image;

FIG. 5 is a rear elevational view thereof; and,

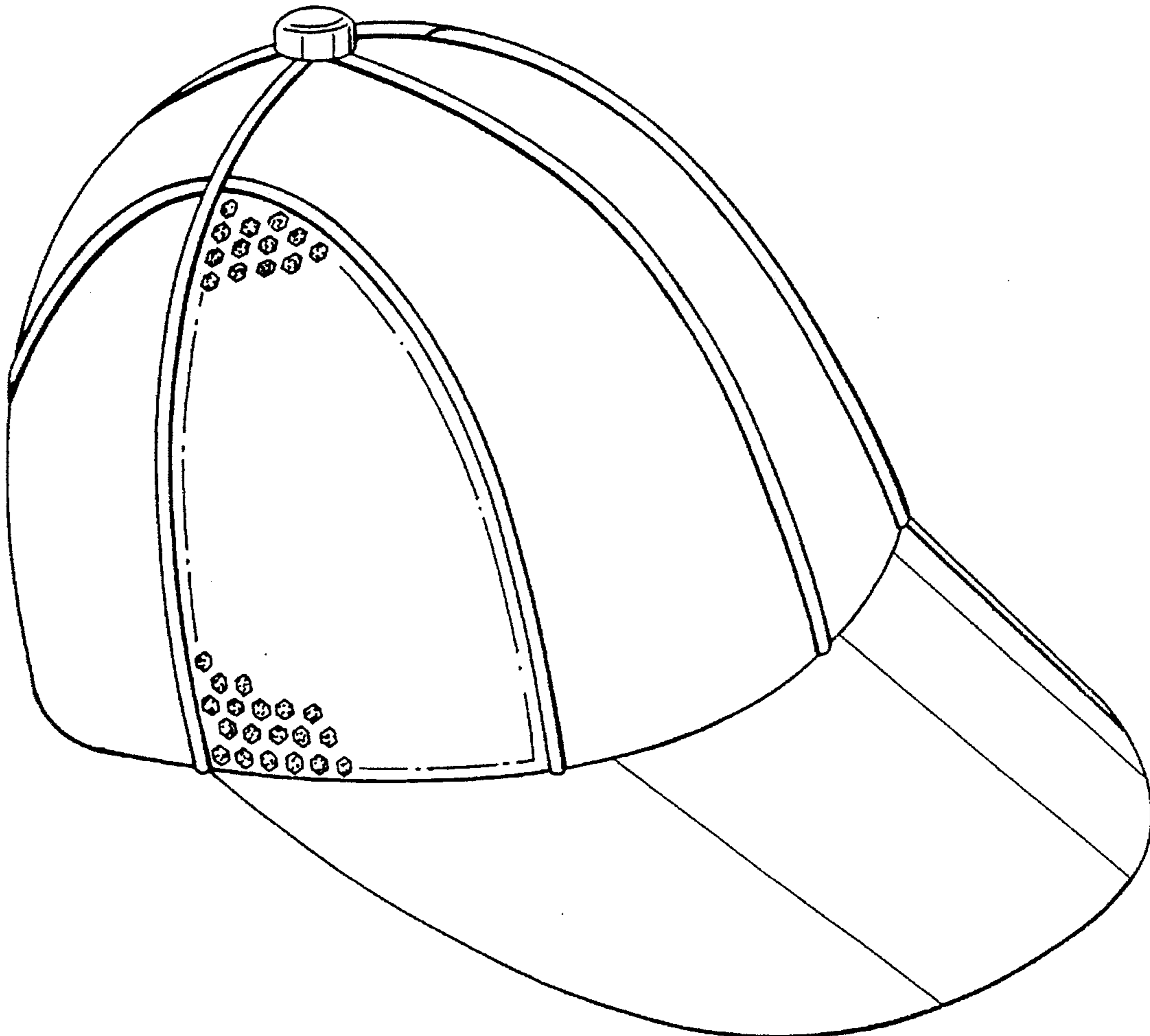
FIG. 6 is a front elevational view thereof.

### [56] References Cited

#### U.S. PATENT DOCUMENTS

D. 257,184 10/1980 Peham ..... D2/872  
D. 292,342 10/1987 Schlegel ..... D2/872  
D. 301,383 6/1989 Pesta ..... D2/869  
D. 303,036 8/1989 Giles ..... D2/872

**1 Claim, 3 Drawing Sheets**



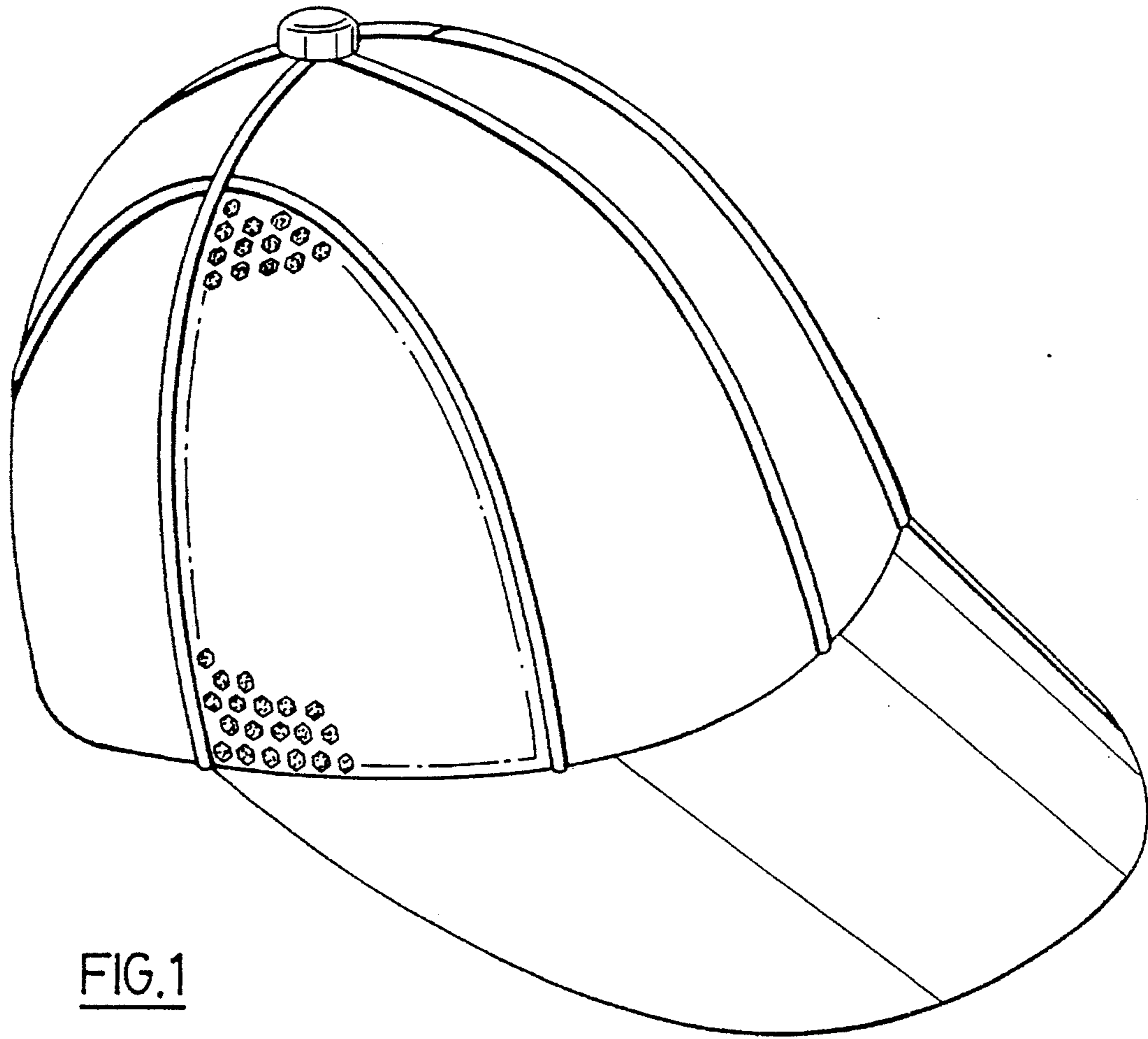


FIG. 1

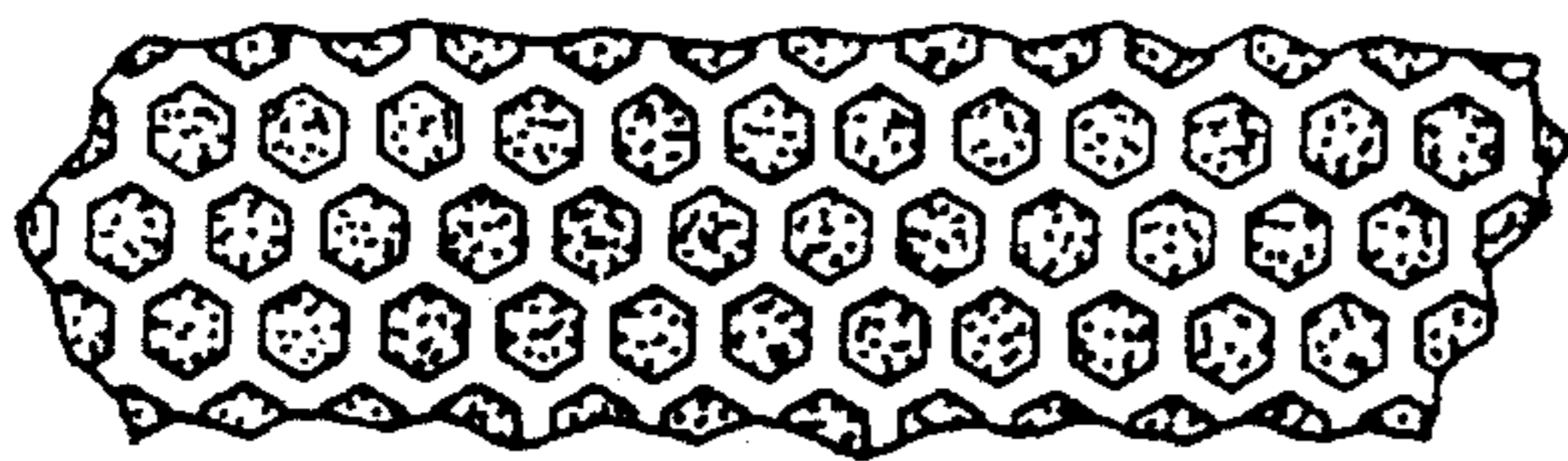


FIG. 2

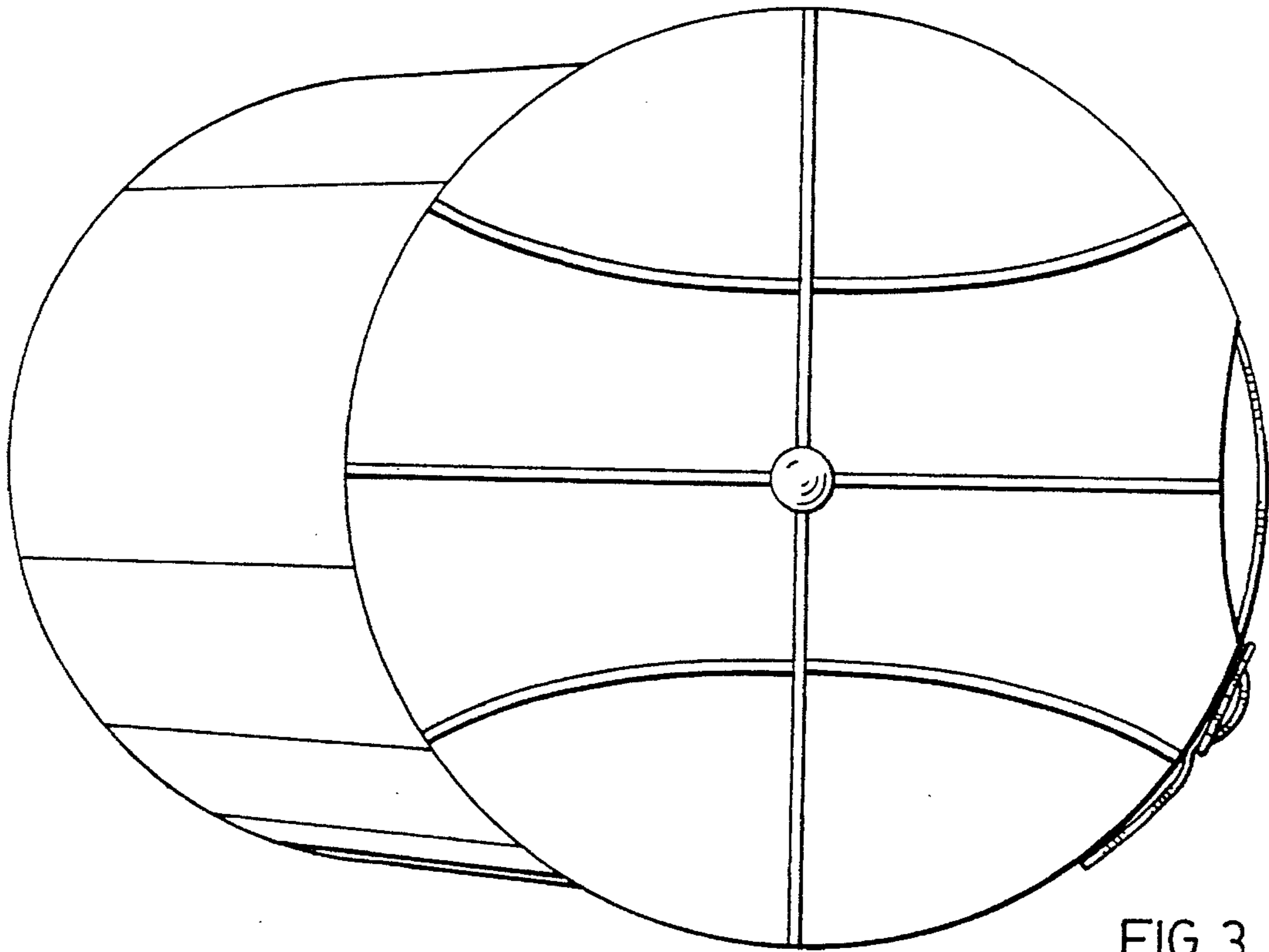


FIG. 3

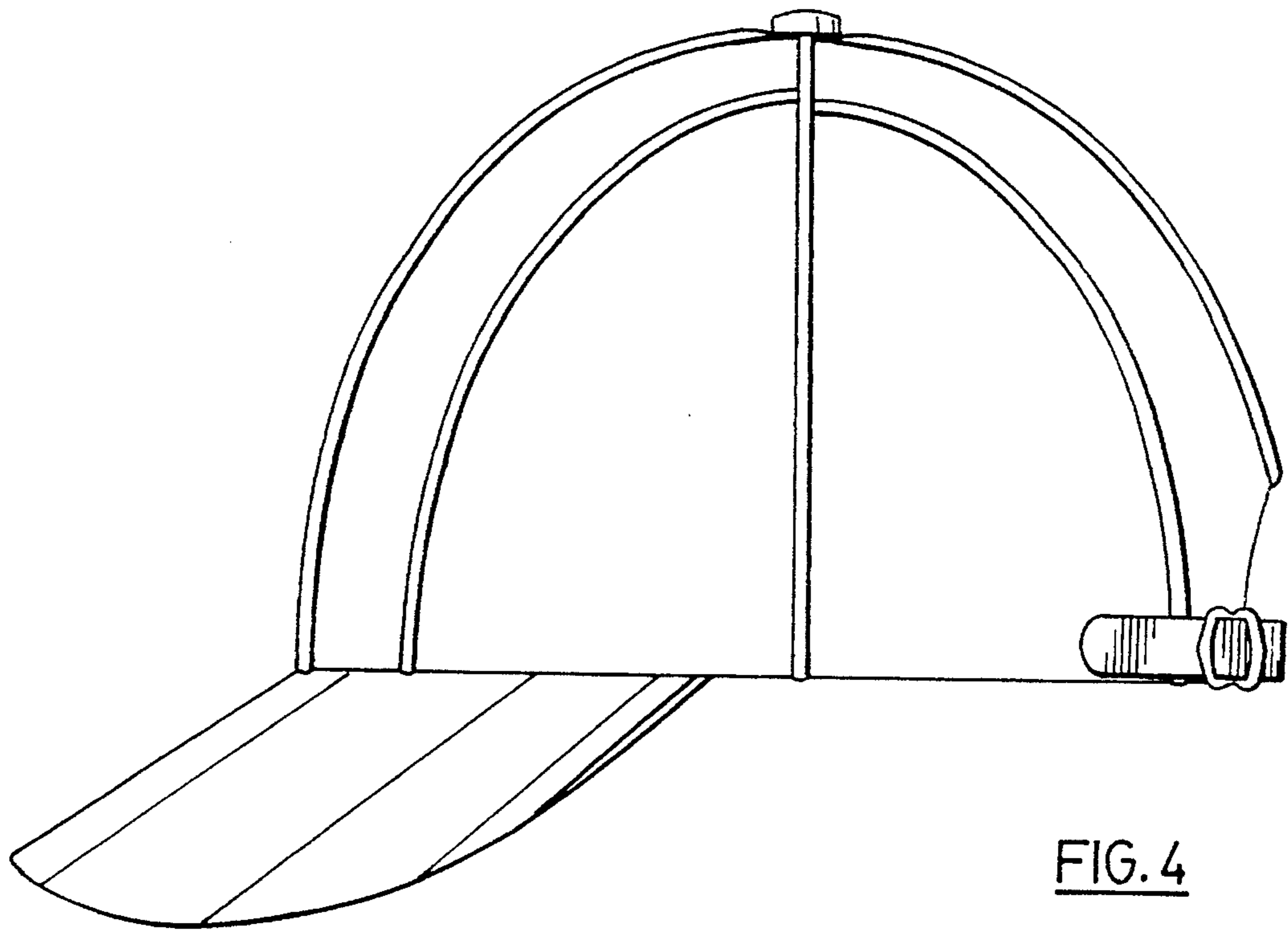


FIG. 4

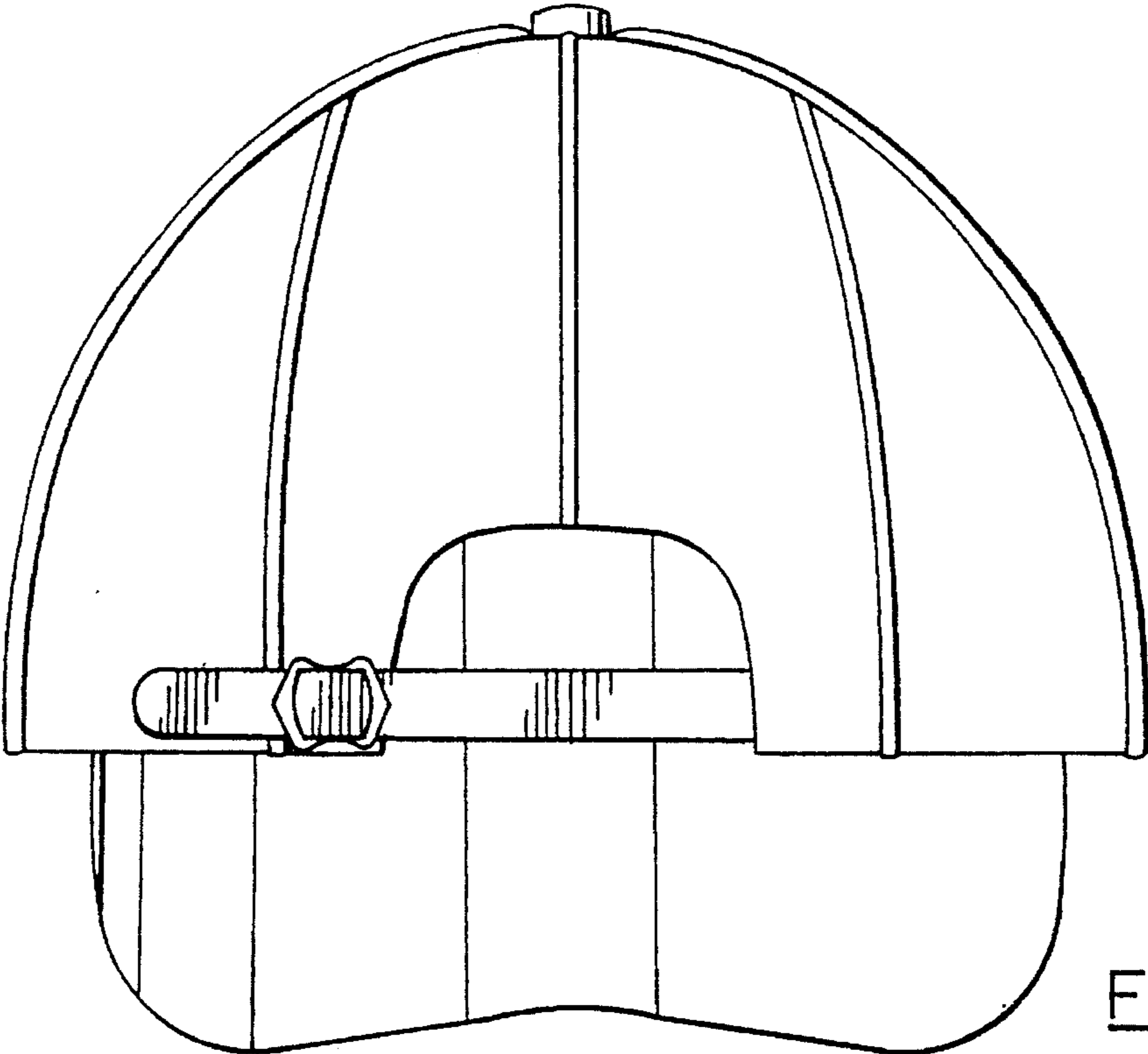


FIG. 5

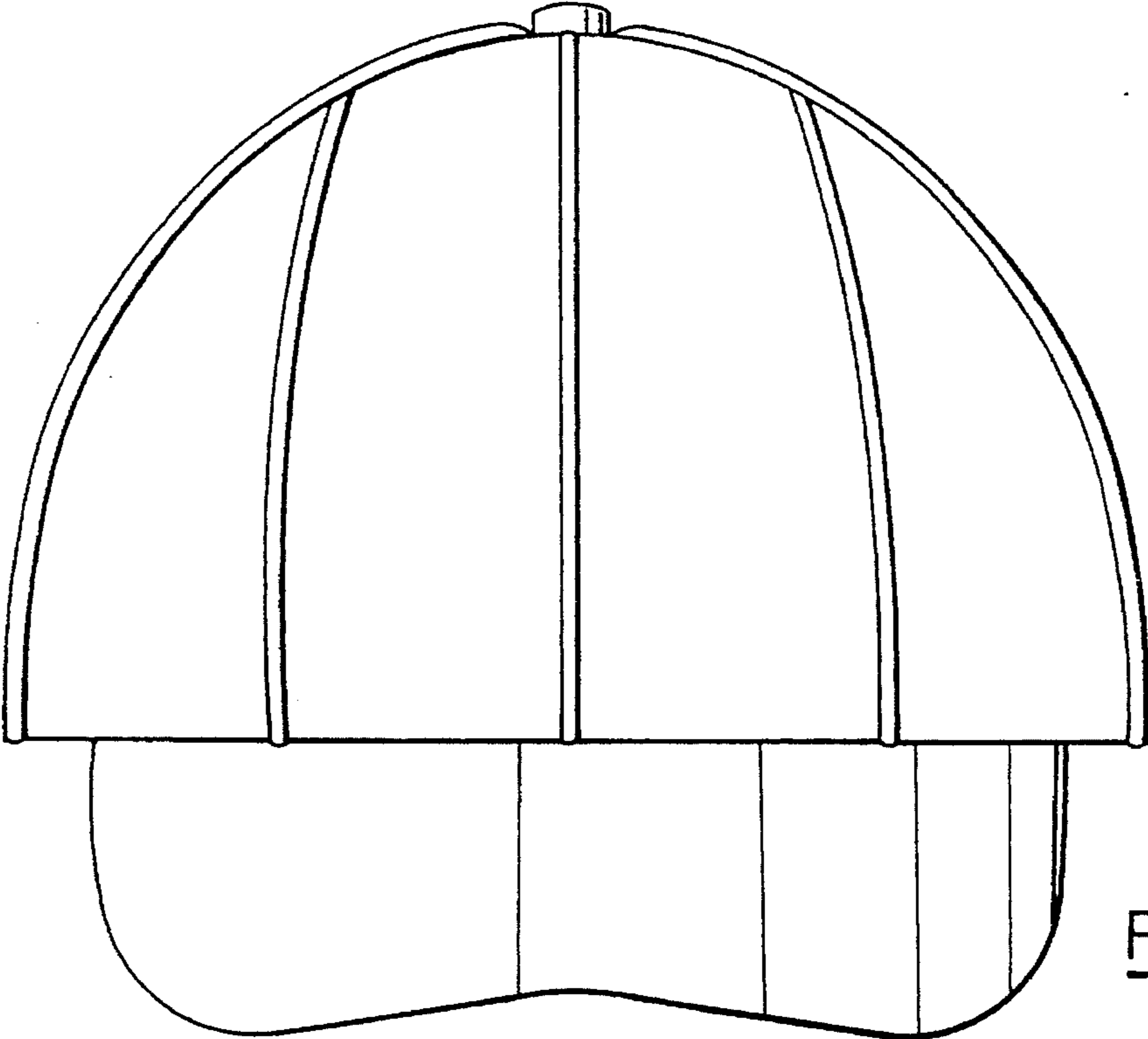


FIG. 6