



US00D364488S

# United States Patent [19]

Nasin

[11] Patent Number: **Des. 364,488**

[45] Date of Patent: **\*\*Nov. 21, 1995**

[54] **PORTABLE FIRE EXTINGUISHER**

[76] Inventor: **Jarrold A. Nasin**, 39 Pond Rd.,  
Franklin, Conn. 06254

[\*\*] Term: **14 Years**

[21] Appl. No.: **25,105**

[22] Filed: **Jun. 27, 1994**

[52] U.S. Cl. .... **D29/129**

[58] Field of Search ..... D29/125, 129,  
D29/130; 169/30, 72; 229/307, 308; D15/7

3,802,511 4/1974 Good, Jr. .  
4,925,105 5/1990 Lin .  
5,018,584 5/1991 Tomlinson ..... 169/30  
5,020,725 6/1991 Waldrum .  
5,150,837 9/1992 Ferrari .

Primary Examiner—Ralf Seifert

### [57] CLAIM

The ornamental design for the portable fire extinguisher, as shown and described.

### DESCRIPTION

FIG. 1 is a front elevational view of the portable fire extinguisher showing my new design;  
FIG. 2 is a rear elevational view thereof;  
FIG. 3 is a left side elevational view thereof;  
FIG. 4 is a right side elevational view thereof;  
FIG. 5 is a top plan view thereof; and,  
FIG. 6 is a bottom plan view thereof.

**1 Claim, 3 Drawing Sheets**

[56] **References Cited**

U.S. PATENT DOCUMENTS

D. 204,453	4/1966	Bowmab .....	D29/129
D. 213,954	4/1969	Koch .....	D29/129
3,258,433	6/1966	Tuue et al. ....	D29/129
3,428,255	7/1967	Bailu .	
3,764,072	10/1973	Morehouse .....	239/308
3,801,015	4/1974	Hayes .....	239/308

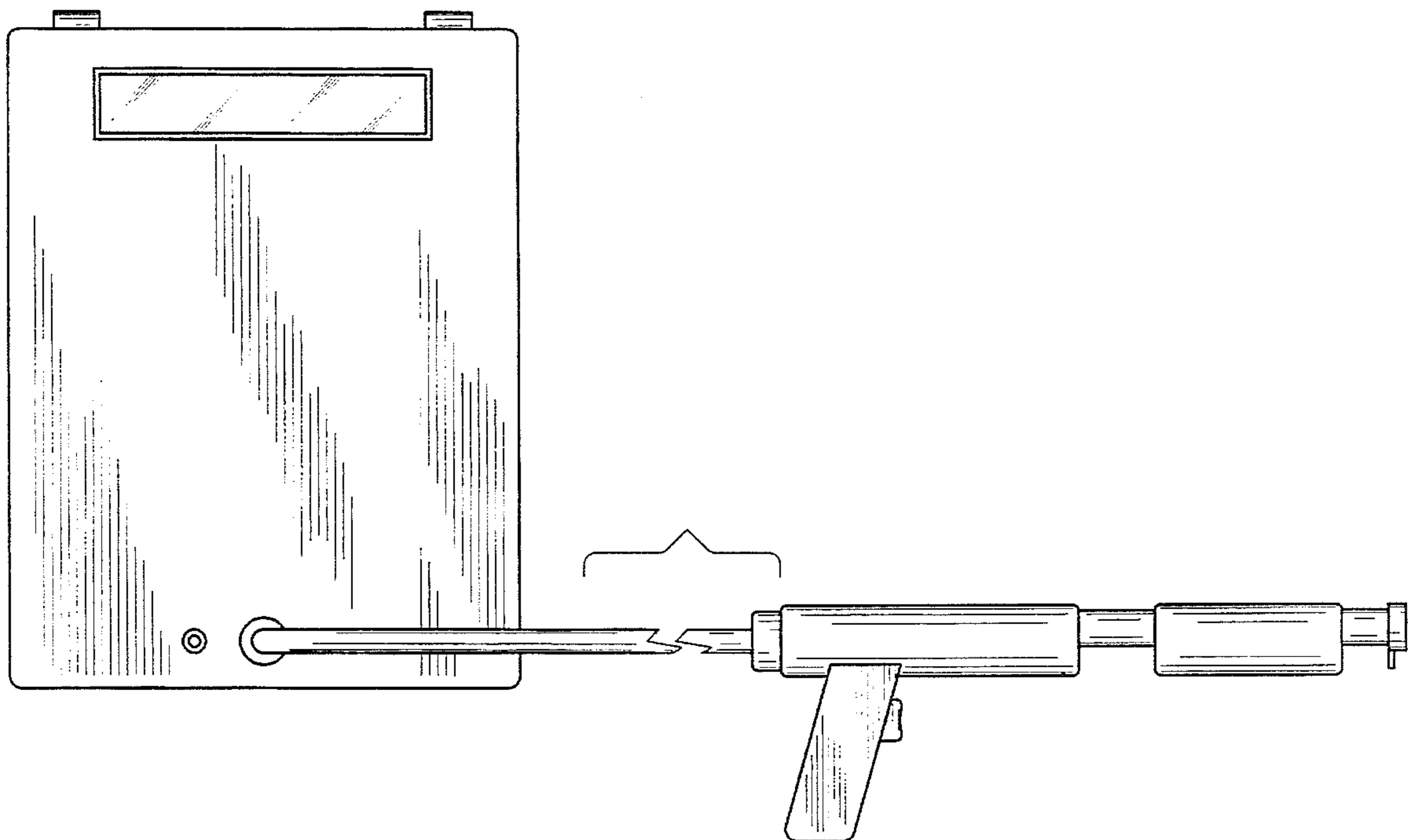


FIG. 1

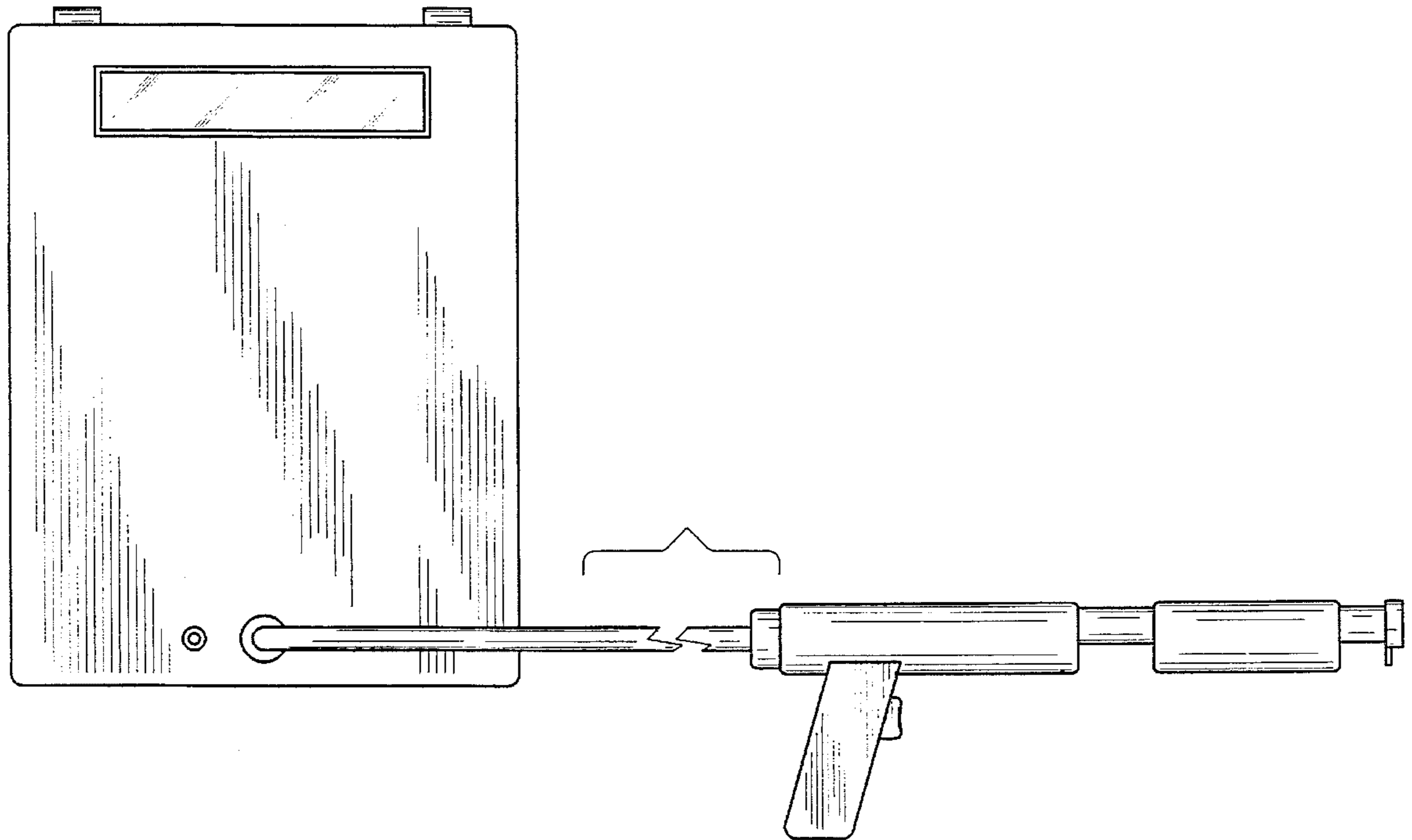


FIG. 2

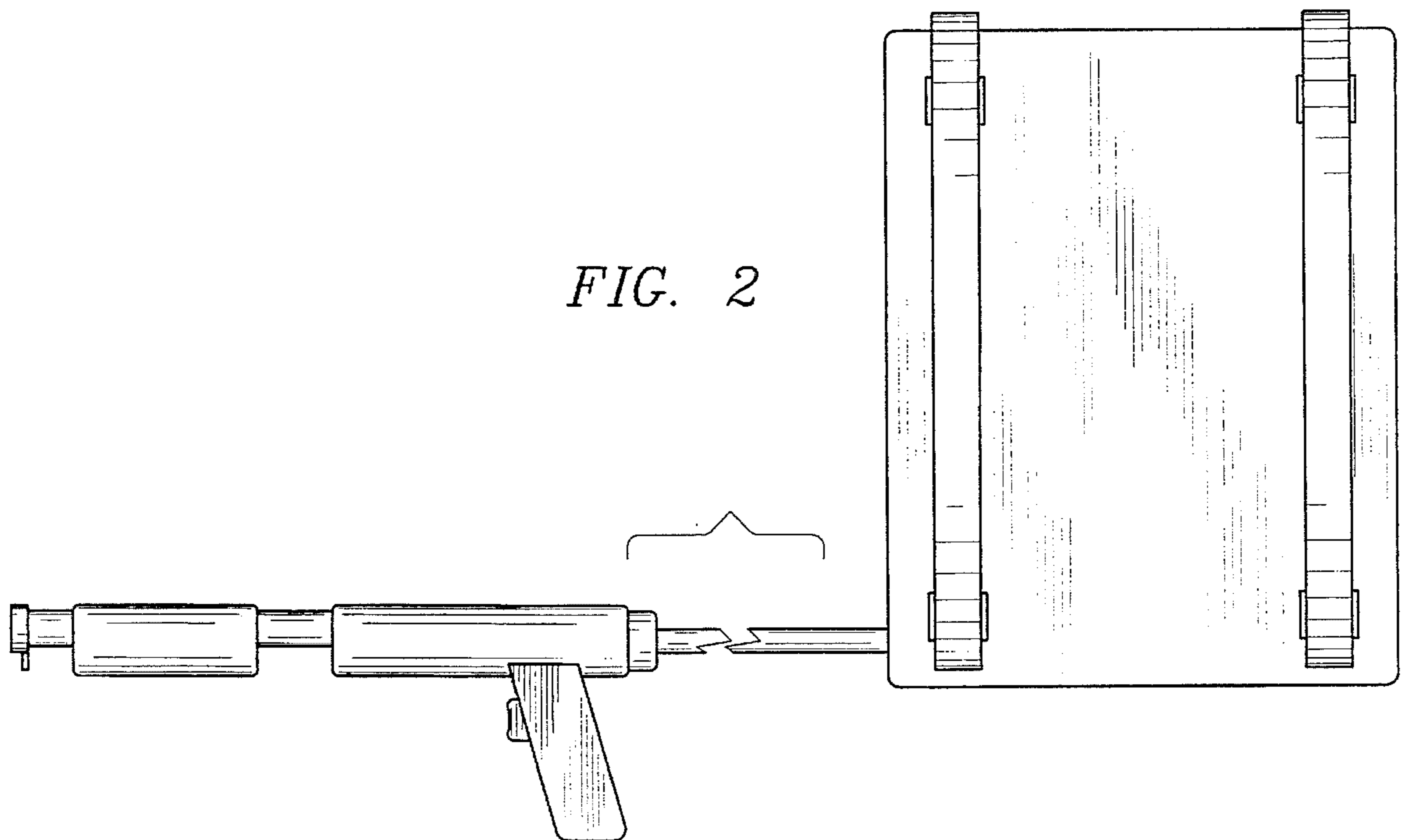


FIG. 3

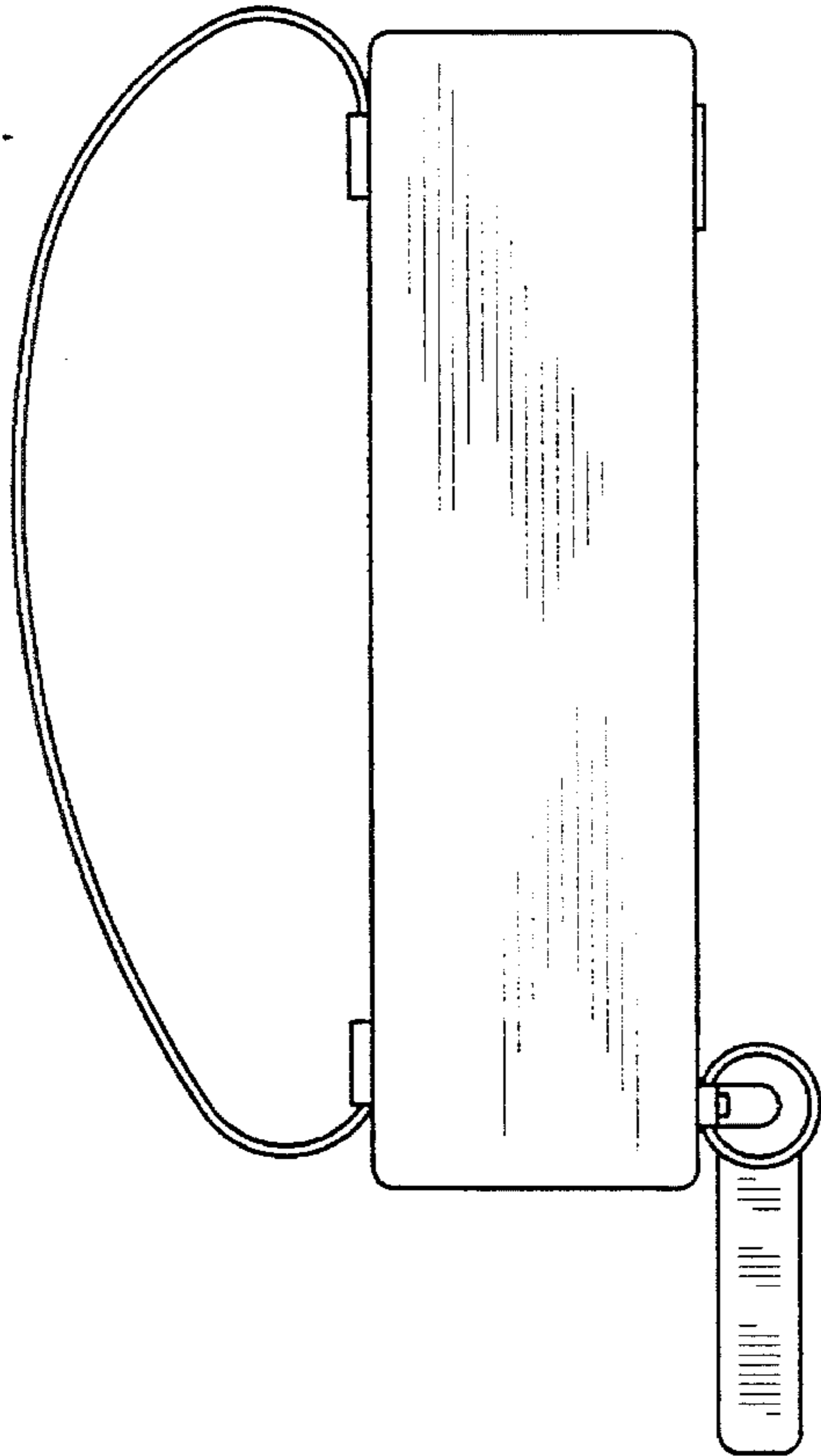


FIG. 4

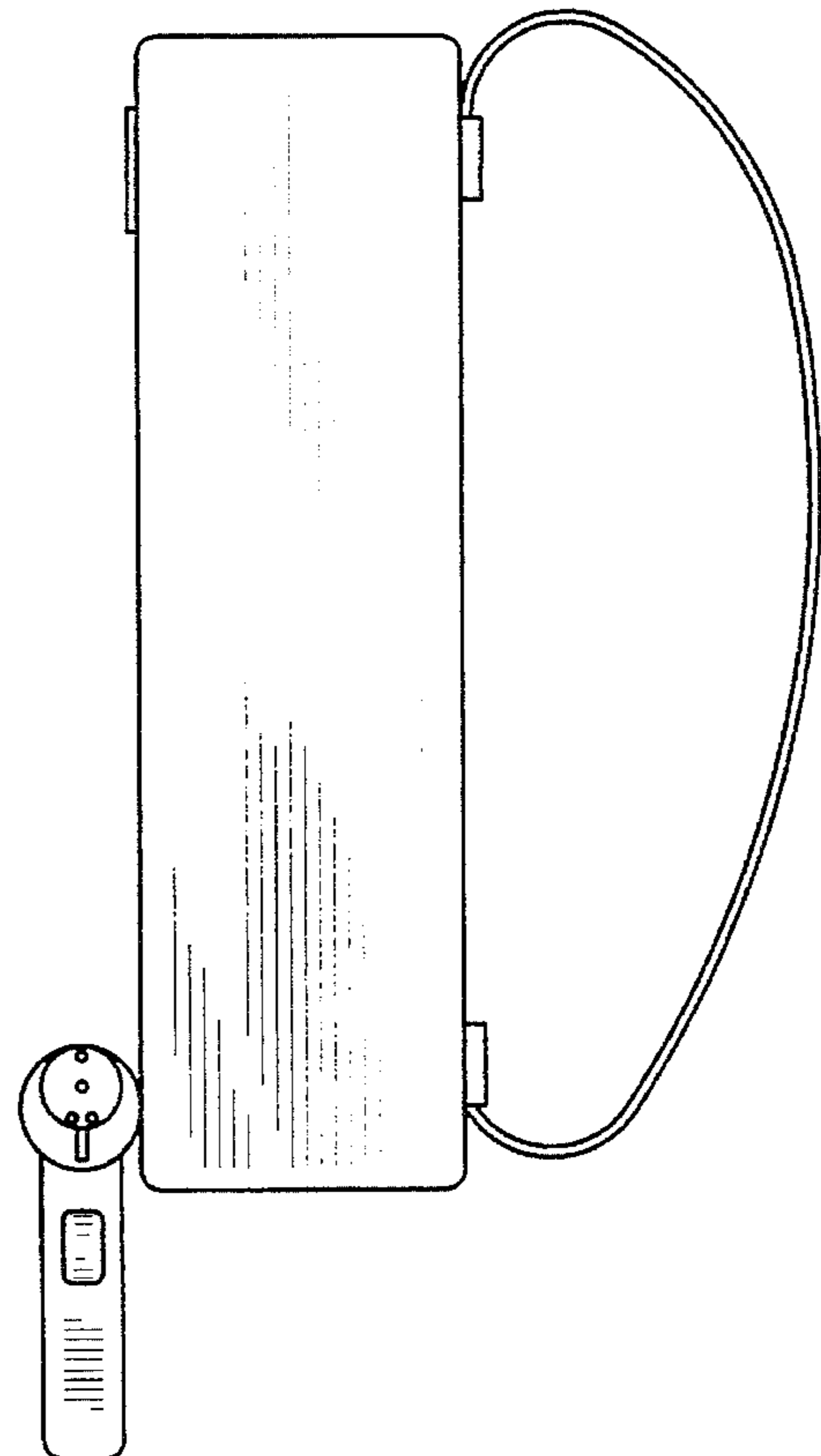


FIG. 5

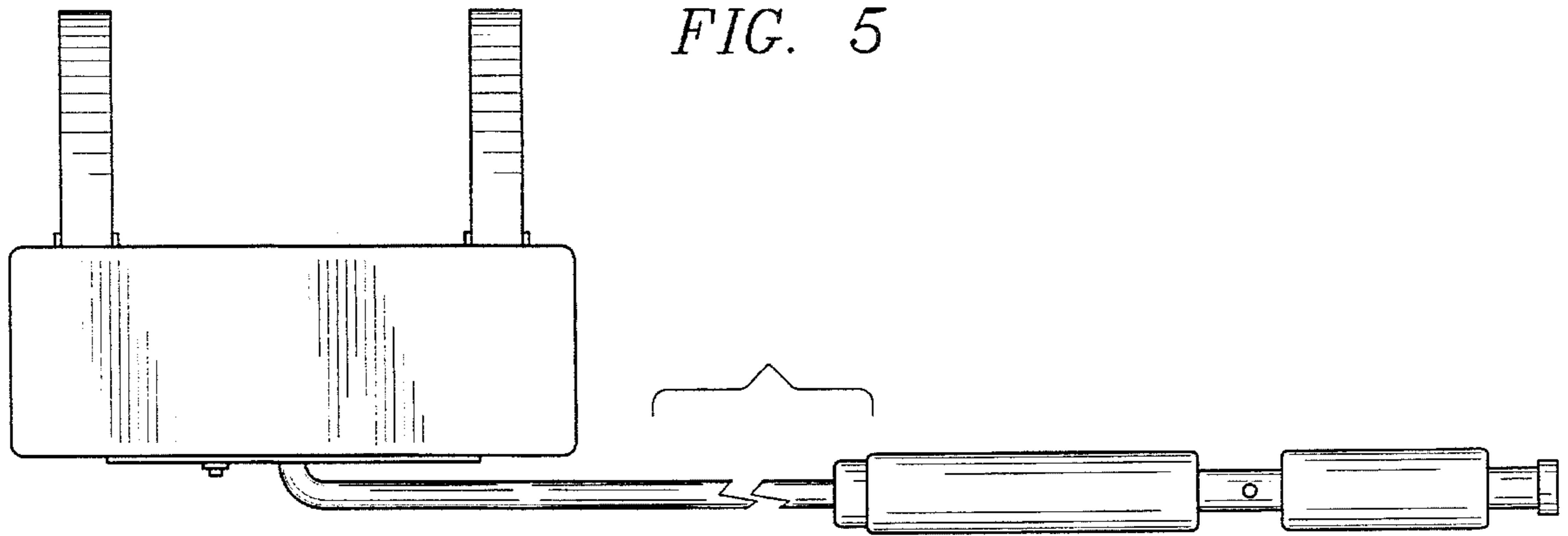


FIG. 6

