



US00D364483S

United States Patent [19]

[11] Patent Number: **Des. 364,483**

Elston

[45] Date of Patent: ****Nov. 21, 1995**

[54] **HAIR CLIPPER**

[75] Inventor: **Andrew Elston, Sterling, Ill.**

[73] Assignee: **Wahl Clipper Corporation, Sterling, Ill.**

[**] Term: **14 Years**

[21] Appl. No.: **15,079**

[22] Filed: **Nov. 5, 1993**

[52] U.S. Cl. **D28/53**

[58] Field of Search **D28/49-54; 30/34.05, 30/34.1, 34.2, 41.9, 43, 43.7-43.9, 42, 45, 208-210, 202**

3,589,007	6/1971	Walton .	
4,622,745	11/1986	Wahl	30/201
5,050,305	9/1991	Baker et al.	30/201
5,054,199	10/1991	Ogawa et al.	30/216 X
5,068,966	12/1991	Wahl et al.	30/43.92

FOREIGN PATENT DOCUMENTS

493012	5/1953	Canada	30/210
89549	8/1978	Japan	30/208

OTHER PUBLICATIONS

Housewares, Jan. 1, 1989, p. 96: Andis clipper indicated by arrow.

Photocopy of promotional literature for Moser model 1221 F Professional hair clipper. This advertisement was obtained at a trade show in Feb. 19-22, 1991.

Primary Examiner—Ted Shooman

Assistant Examiner—C. Tuttle

Attorney, Agent, or Firm—Greer, Burns & Crain, Ltd.

References Cited

U.S. PATENT DOCUMENTS

D. 190,577	6/1961	Madl .	
D. 196,504	10/1963	Andis .	
D. 198,265	5/1964	Leubner .	
D. 212,841	11/1968	Madl .	
D. 215,683	10/1969	Carpenter .	
D. 219,636	12/1970	Carpenter .	
D. 219,902	2/1971	Walton et al. .	
D. 279,411	6/1985	Abe et al.	D28/53
D. 283,736	5/1986	Wahl et al.	D28/53
D. 287,648	1/1987	Wahl et al.	D28/53
D. 302,743	8/1989	Wahl et al.	D28/53
D. 304,627	11/1989	Yonesawa	D28/53
D. 306,779	3/1990	Higa et al.	D28/53
D. 310,272	8/1990	Gallanis et al.	D28/53
D. 310,734	9/1990	Gallanis	D28/53
D. 319,324	8/1991	Wahl et al.	D28/53
D. 340,783	10/1993	McCambridge	D28/53
D. 351,046	9/1994	McCambridge et al.	D28/53
1,487,189	3/1924	Wahl	30/210

[57] **CLAIM**

The ornamental design for a hair clipper, as shown and described.

DESCRIPTION

FIG. 1 is perspective view of the hair clipper showing my new design;

FIG. 2 is a right side view thereof;

FIG. 3 is a left side view thereof;

FIG. 4 is a front view thereof;

FIG. 5 is a rear view thereof;

FIG. 6 is a top view thereof; and,

FIG. 7 is a bottom view thereof.

1 Claim, 2 Drawing Sheets

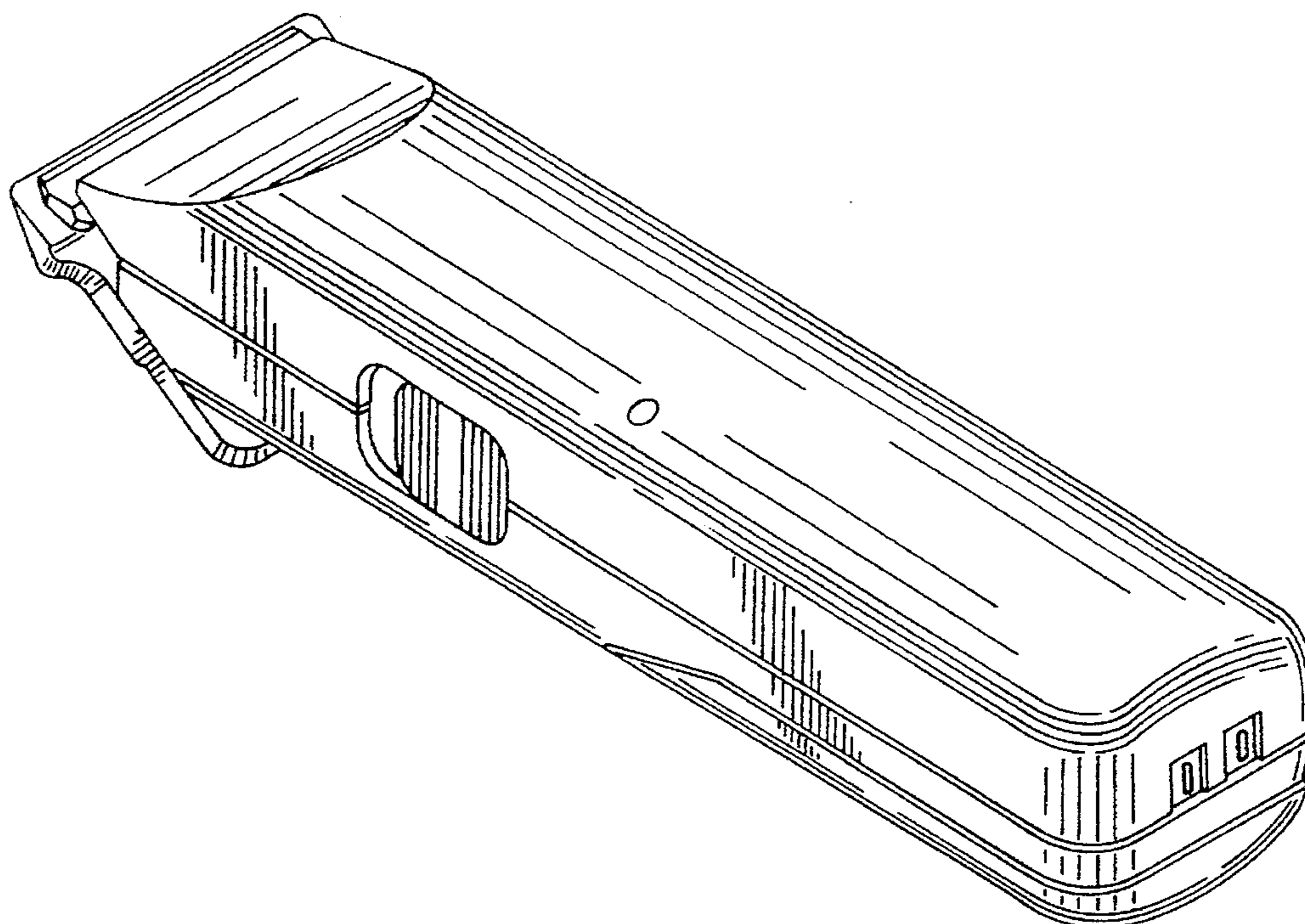


FIG. 1

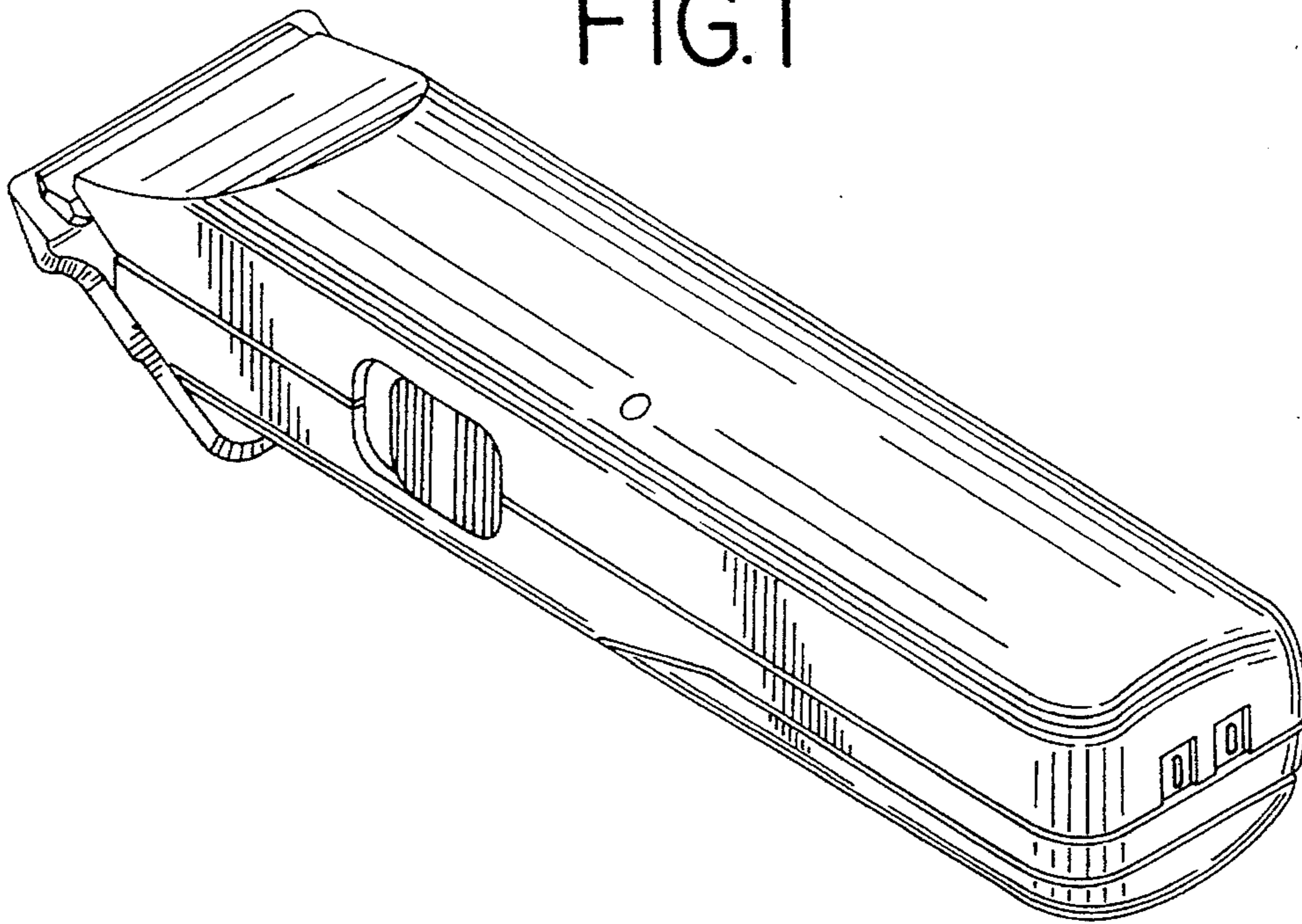


FIG. 2

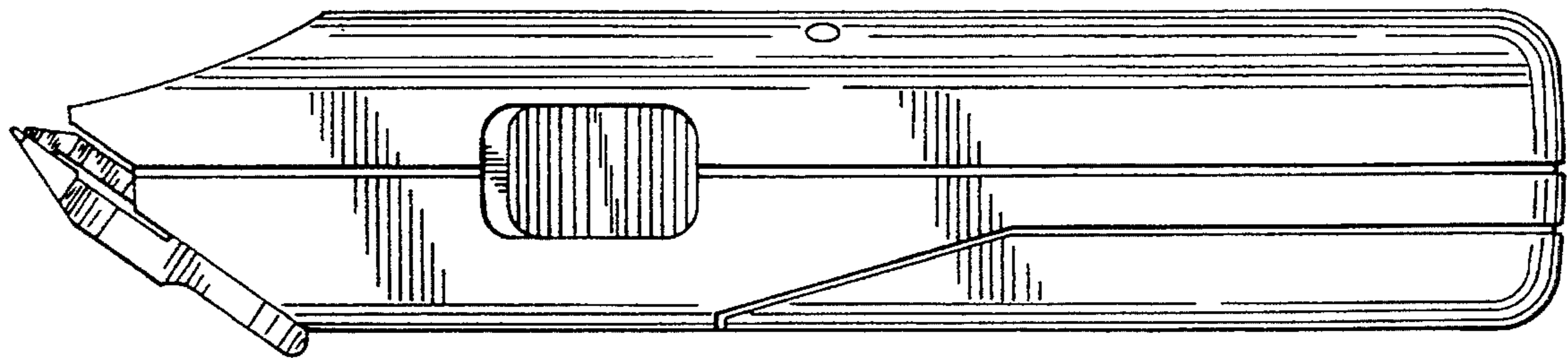


FIG. 3

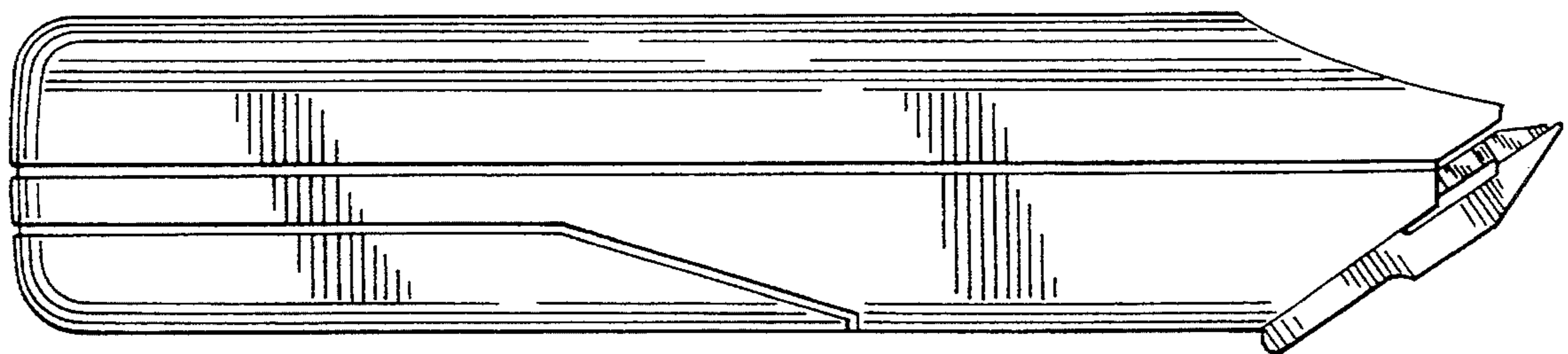


FIG. 4

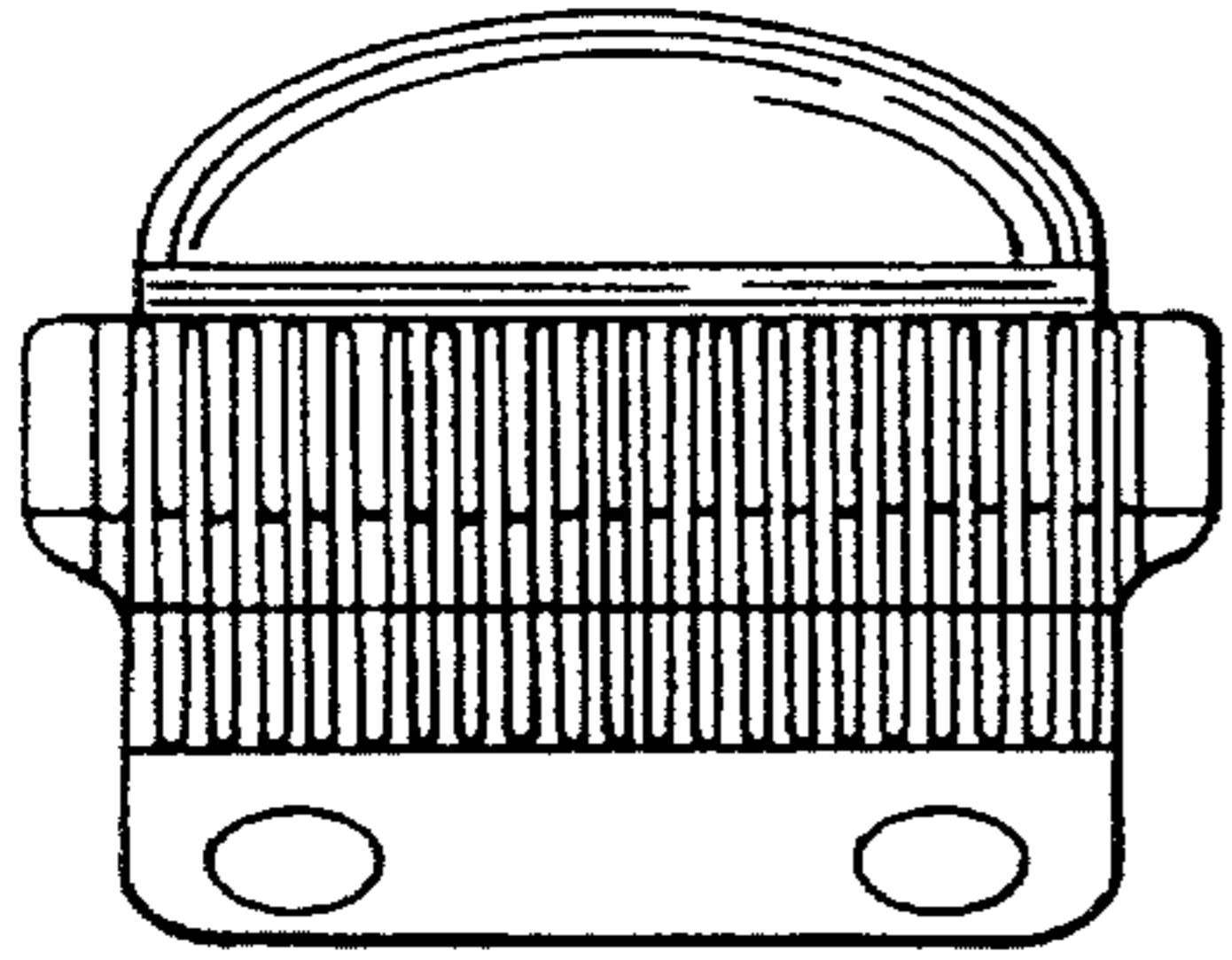


FIG. 5

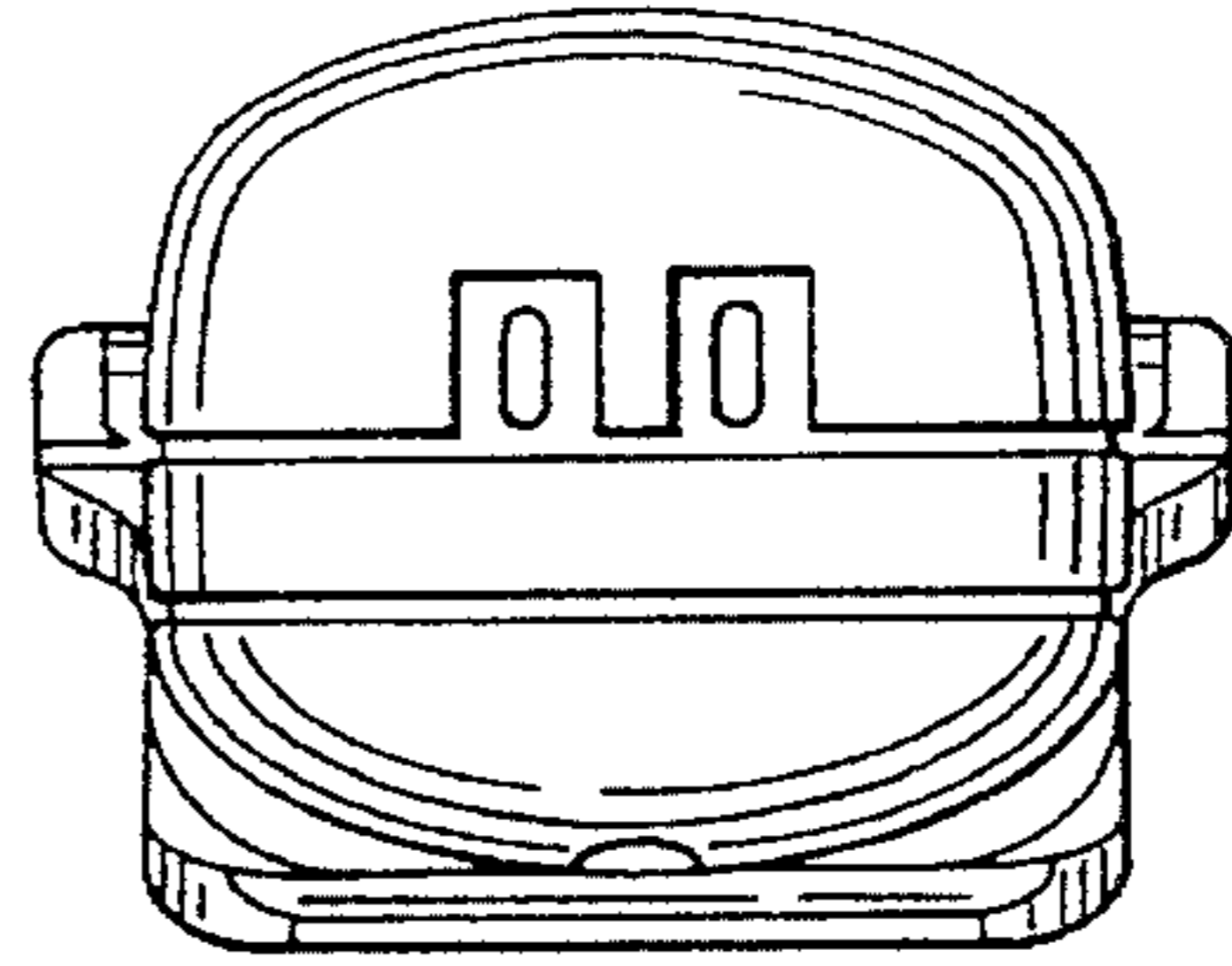


FIG. 6

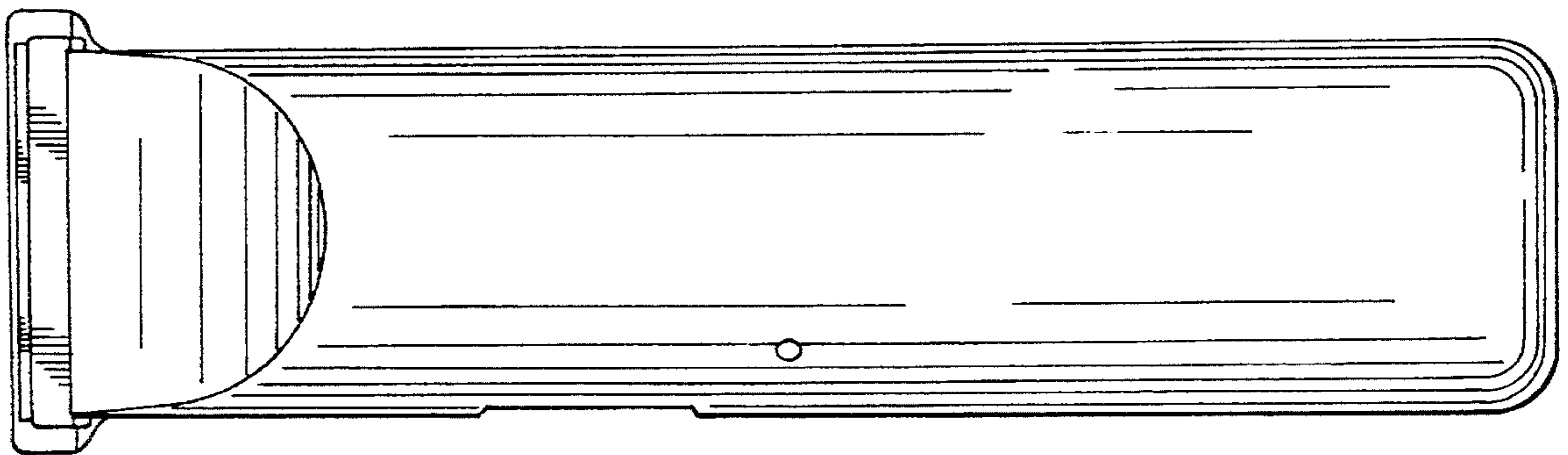


FIG. 7

