



US00D364481S

United States Patent [19] Lambert

[11] Patent Number: **Des. 364,481**

[45] Date of Patent: ****Nov. 21, 1995**

[54] **COMBINED APPLICATOR AND DISPENSER FOR OIL AND LOTION**

[76] Inventor: **Alan R. Lambert**, Rte. 3 Box 425C, Mooresville, N.C. 28115

[**] Term: **14 Years**

[21] Appl. No.: **16,566**

[22] Filed: **Dec. 17, 1993**

[52] U.S. Cl. **D28/7; D4/137**

[58] Field of Search **D28/7; D4/114, D4/116, 137; D9/338; 132/320; 401/6-8, 195, 196, 202-207, 261-266; 15/144.4, 244.1-244.4**

[56] **References Cited**

U.S. PATENT DOCUMENTS

D. 309,530	7/1990	Gingras	D4/138
D. 334,095	3/1993	Beets et al.	D32/40
D. 341,445	11/1993	Morrison et al.	D28/7
D. 346,041	4/1994	Trinkaus	D28/7
1,973,768	9/1934	Knapp	15/244.1
2,009,761	7/1935	Calderara	401/156 X
4,299,005	11/1981	Brown	15/244 A
4,483,636	11/1984	Meyer	401/6
4,961,661	10/1990	Sutton et al.	401/183 X
5,003,659	4/1991	Paepke	15/244.1 X
5,019,033	5/1991	Geria	401/183 X
5,240,339	8/1993	DeForest et al.	15/244.1 X

FOREIGN PATENT DOCUMENTS

748246	4/1956	United Kingdom	401/196
--------	--------	----------------	-------	---------

OTHER PUBLICATIONS

"Hong Kong Enterprise" Feb. 1993, p. 145—Razor handles at top.

Primary Examiner—Ted Shooman
Assistant Examiner—C. Tuttle
Attorney, Agent, or Firm—Ralph H. Dougherty; Scott E. Hanf

[57] **CLAIM**

The ornamental design for a combined applicator and dispenser for oil and lotion, as shown and described.

DESCRIPTION

FIG. 1 is an exploded isometric view of a combined applicator and dispenser for oil or lotion showing my new design with the handle extended;

FIG. 2 is a top view shown with the cap in place;

FIG. 3 is a front view thereof, with the handle retracted;

FIG. 4 is a right side view thereof;

FIG. 5 is a back view thereof;

FIG. 6 is a left side view thereof;

FIG. 7 is a bottom view thereof;

FIG. 8 is an exploded isometric view of a second modified embodiment showing the handle extended;

FIG. 9 is a top view of the second embodiment with the cap in place;

FIG. 10 is a front view thereof, with the handle retracted;

FIG. 11 is a right side view thereof;

FIG. 12 is a back view thereof;

FIG. 13 is a left side view thereof;

FIG. 14 is a bottom view thereof;

FIG. 15 is an exploded isometric view of a third modified embodiment showing the handle extended;

FIG. 16 is a left side view of the third embodiment with the cap in place, the undisclosed sides being identical to that of the first disclosed embodiment except for the omission of the rectangular indicia area;

FIG. 17 is an exploded isometric view of a fourth modified embodiment, the undisclosed sides being identical to that of the second embodiment except for the appearance of the surface of the applicator head;

FIG. 18 is an exploded isometric view of a fifth modified embodiment showing the handle extended;

FIG. 19 is a top view of the fifth embodiment with the cap in place;

FIG. 20 is a front view thereof, with the handle retracted;

FIG. 21 is a right side view thereof;

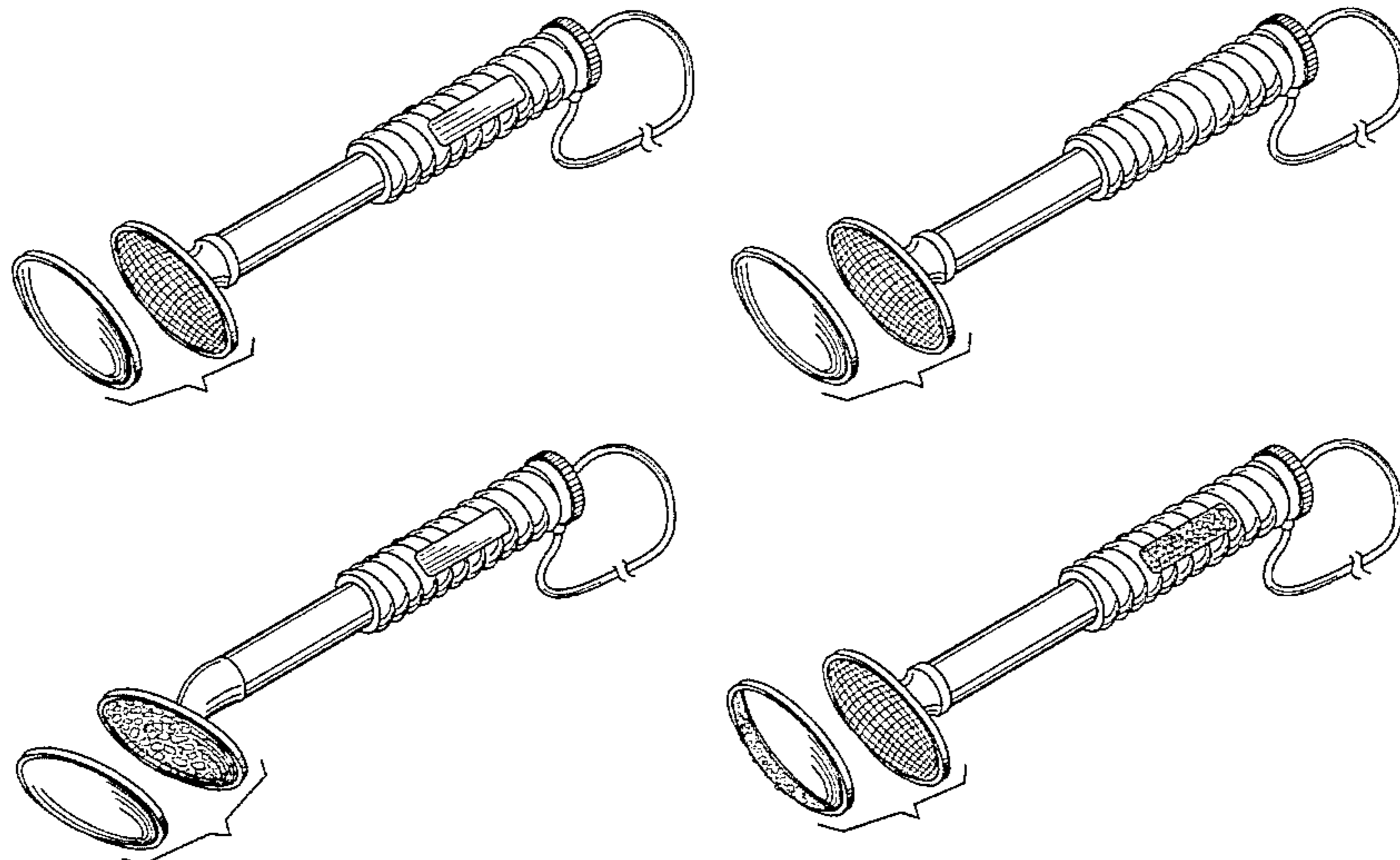
FIG. 22 is a back view thereof;

FIG. 23 is a left side view thereof; and,

FIG. 24 is a bottom view thereof.

The cord element is shown partially broken away in the various views to indicate indeterminate length.

1 Claim, 4 Drawing Sheets



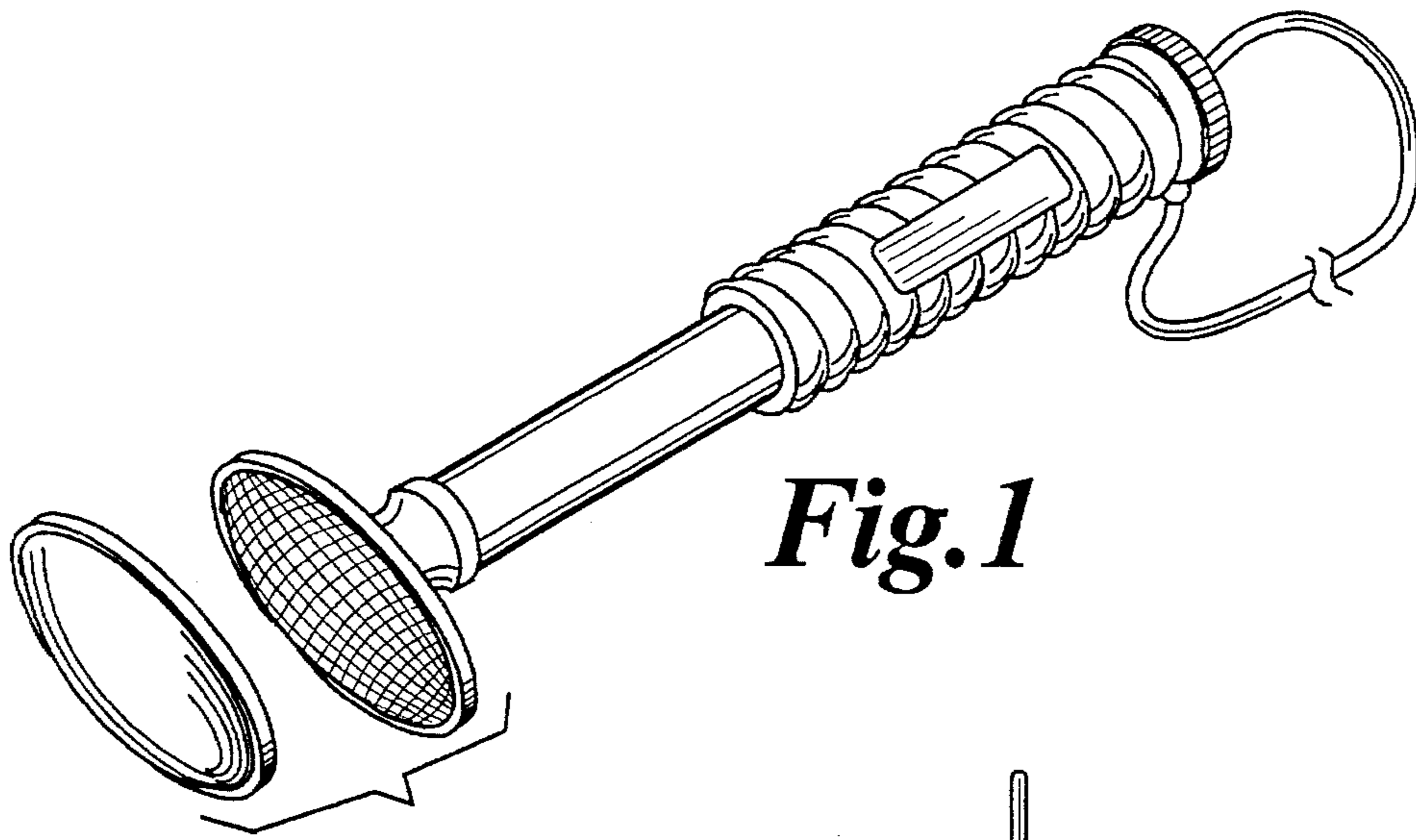


Fig. 1

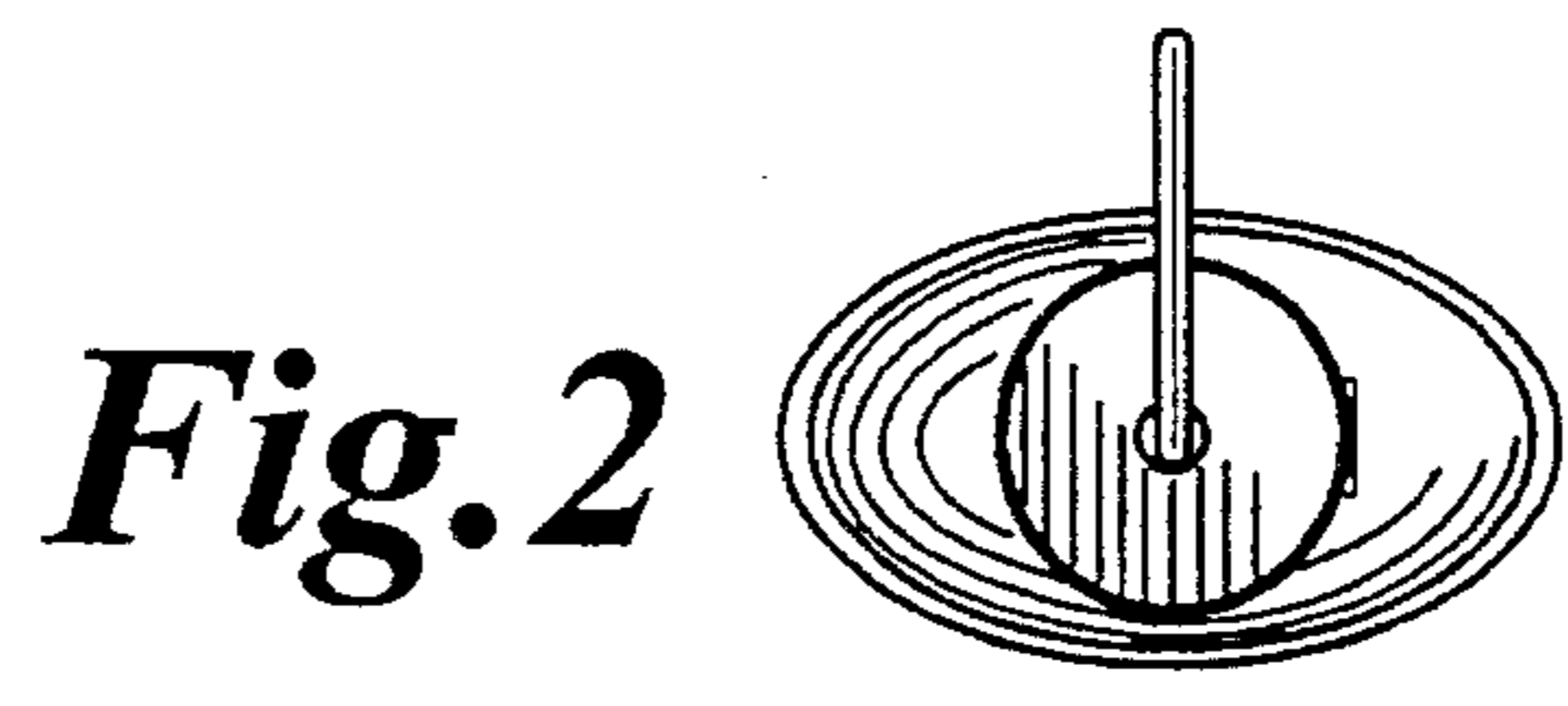


Fig. 2

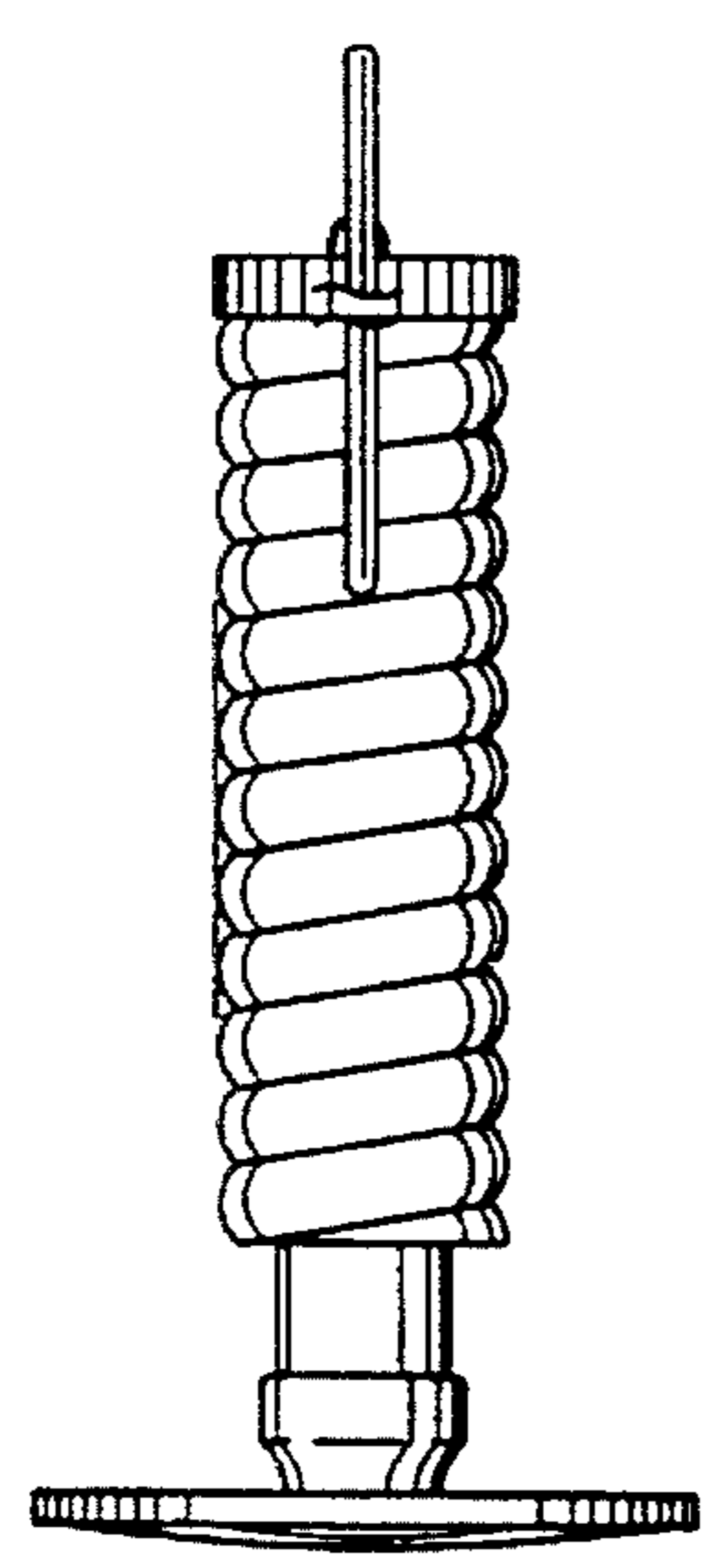


Fig. 3

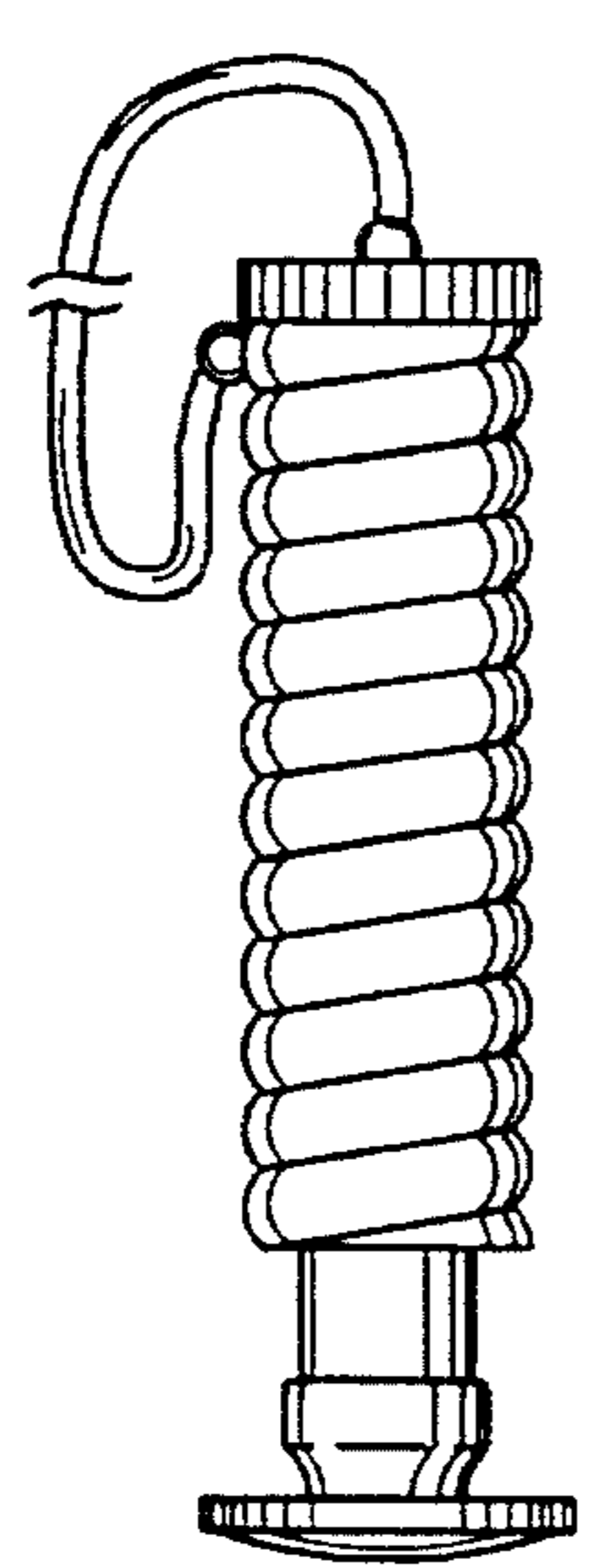


Fig. 4

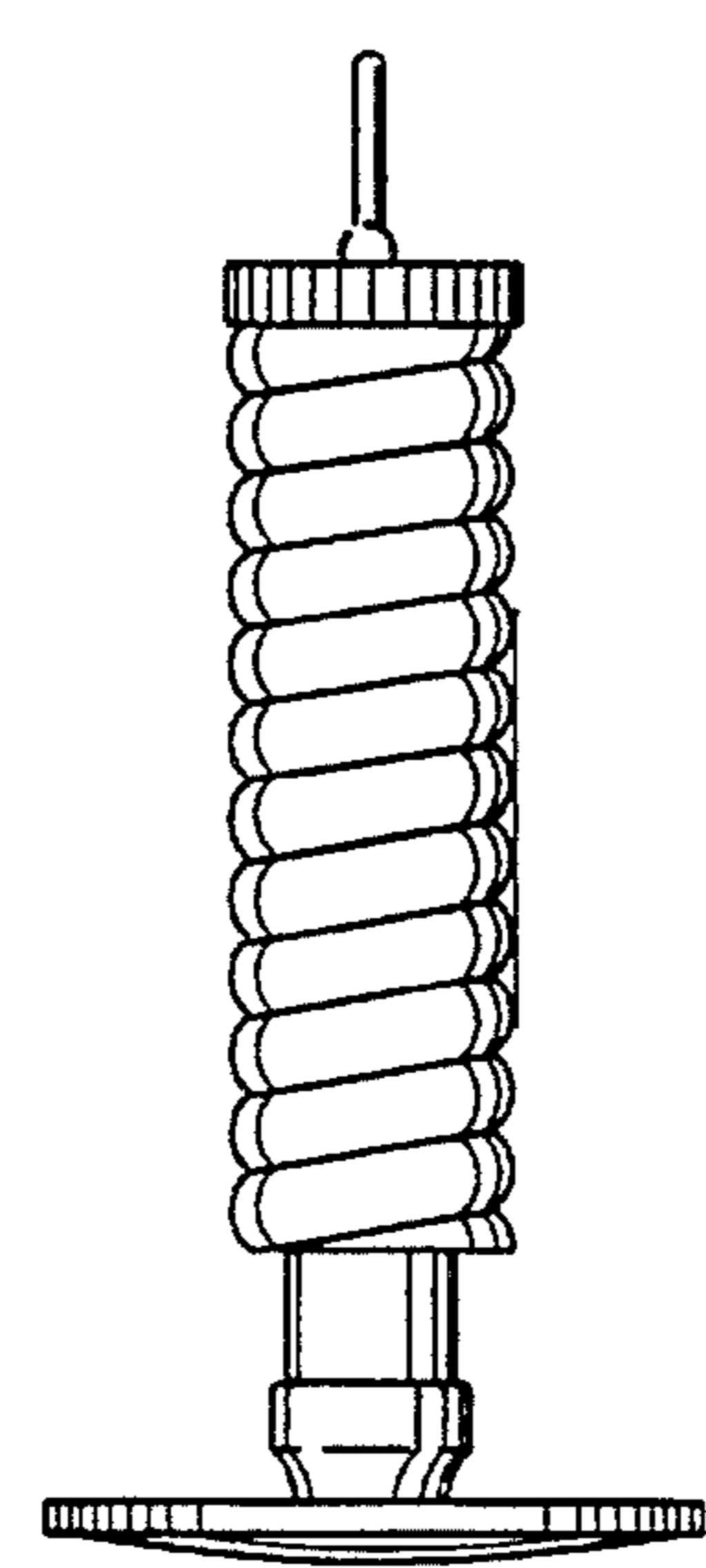


Fig. 5

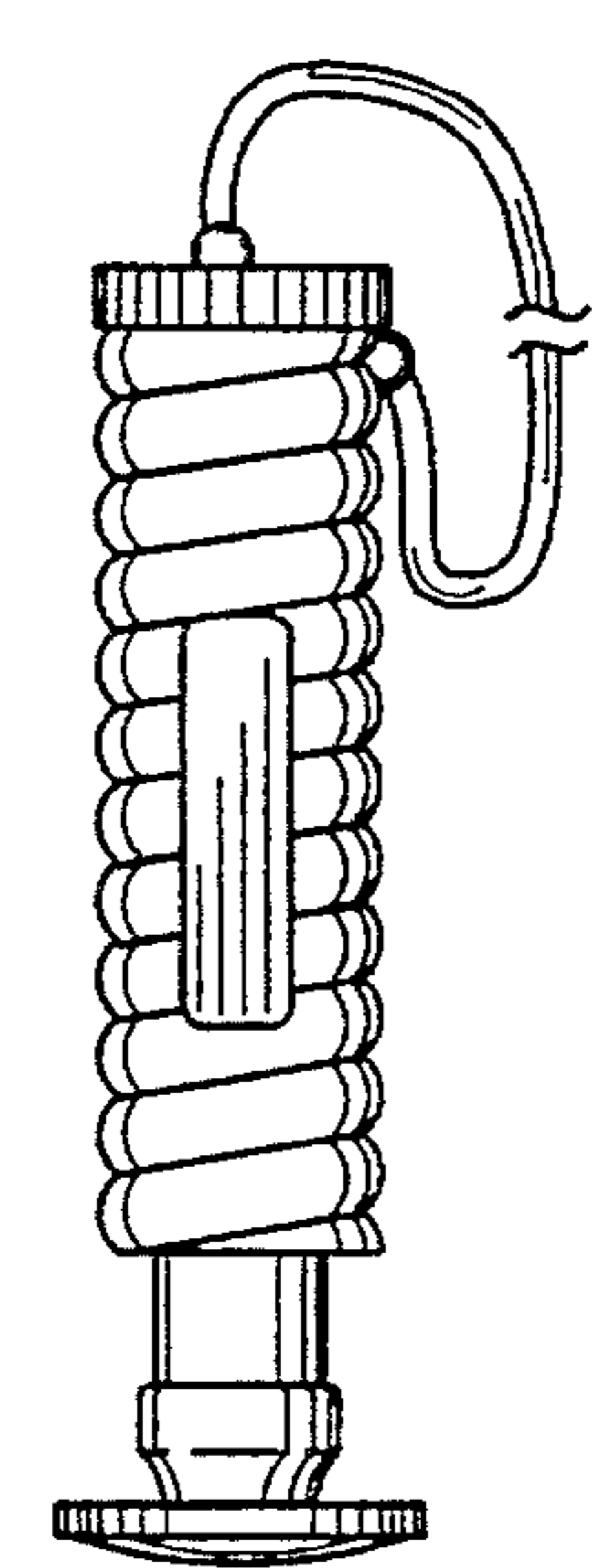


Fig. 6

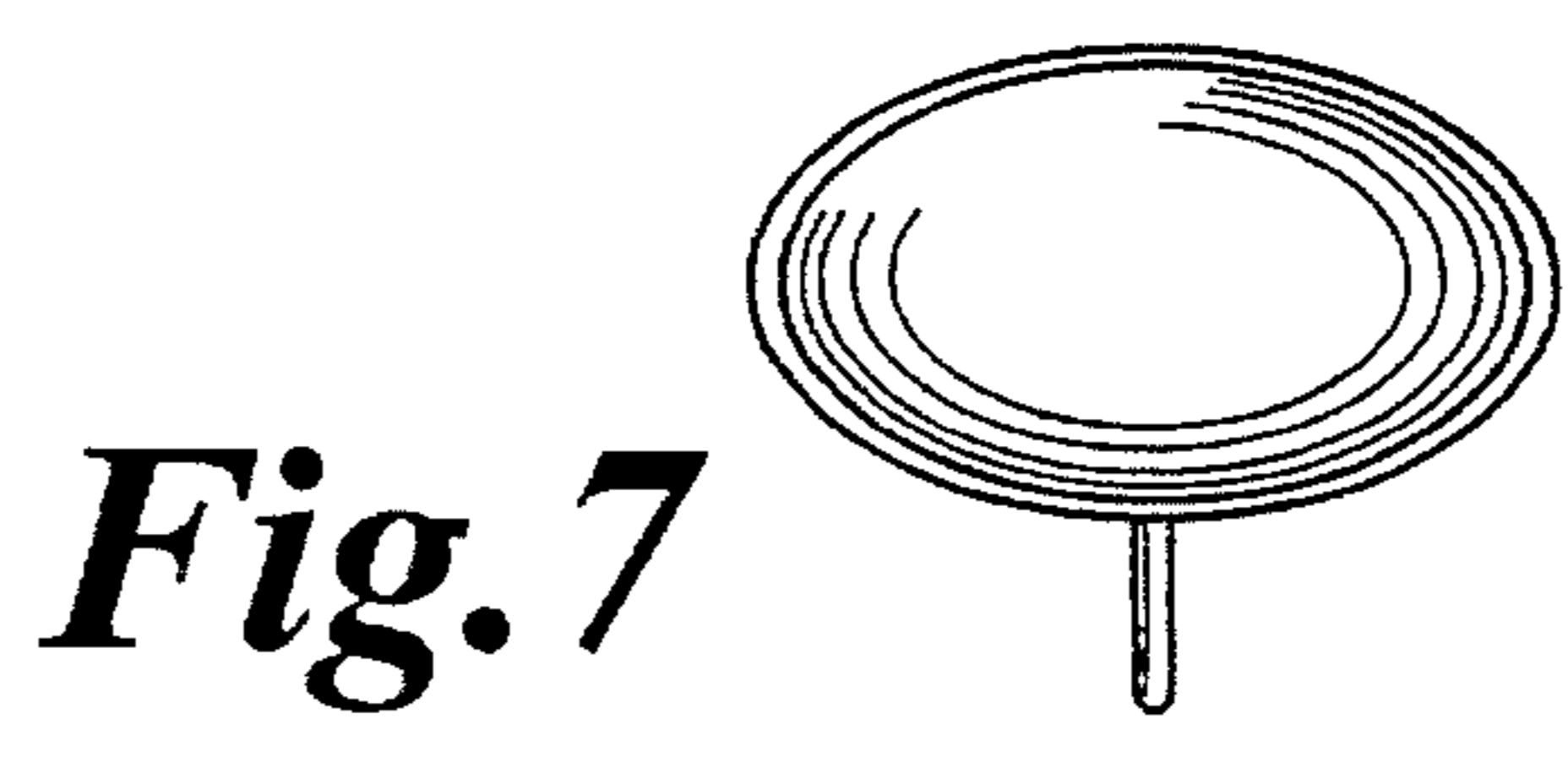


Fig. 7

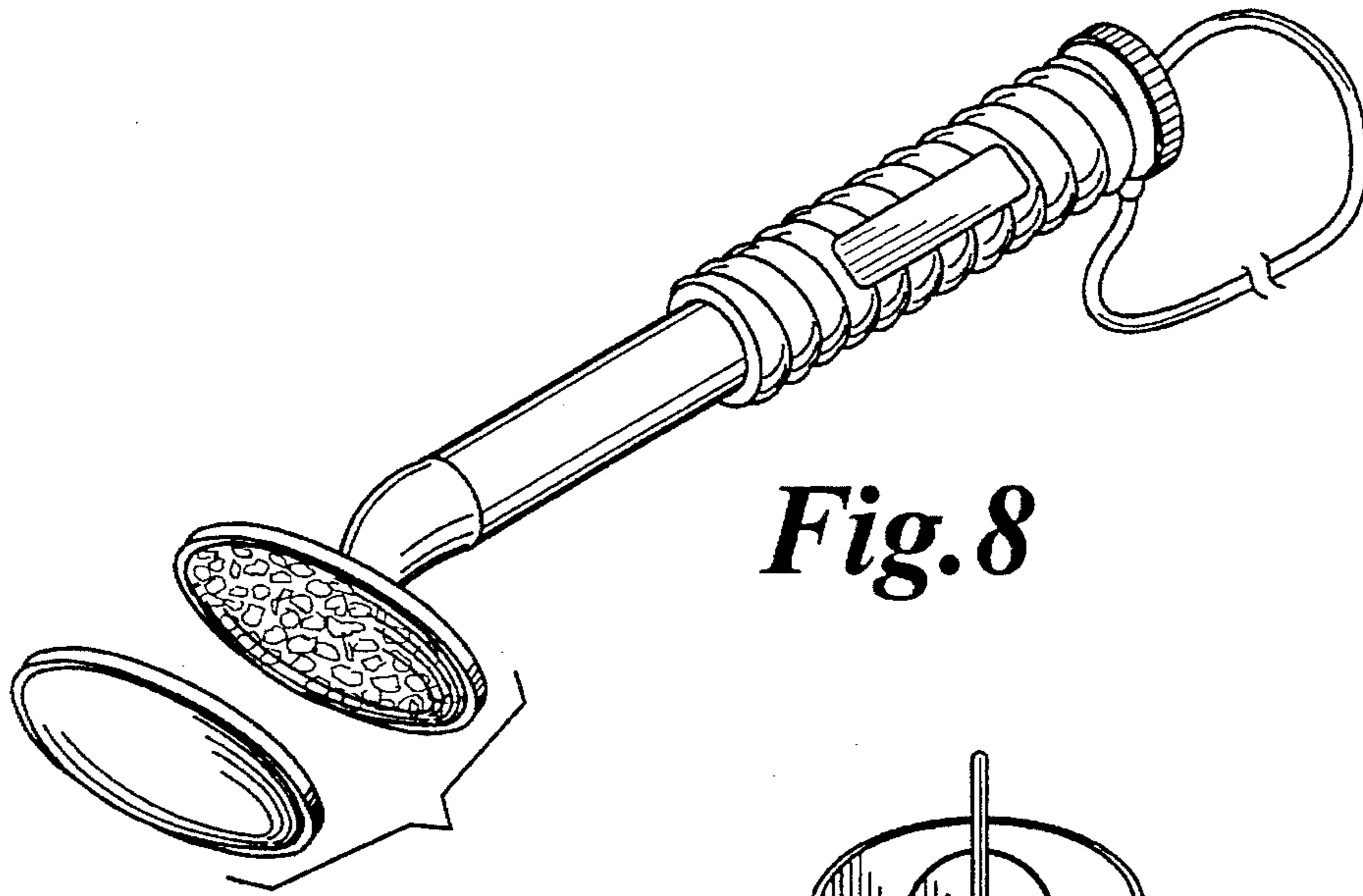


Fig. 8

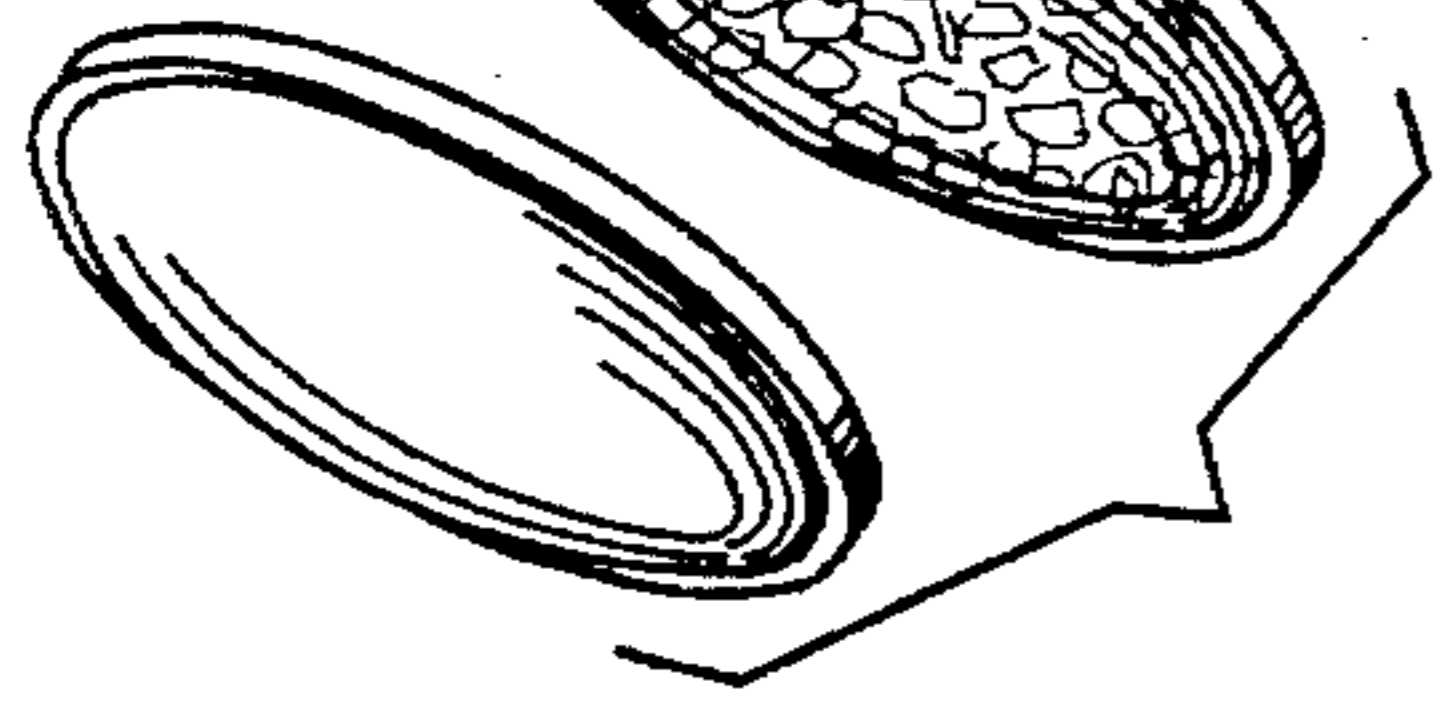


Fig. 9

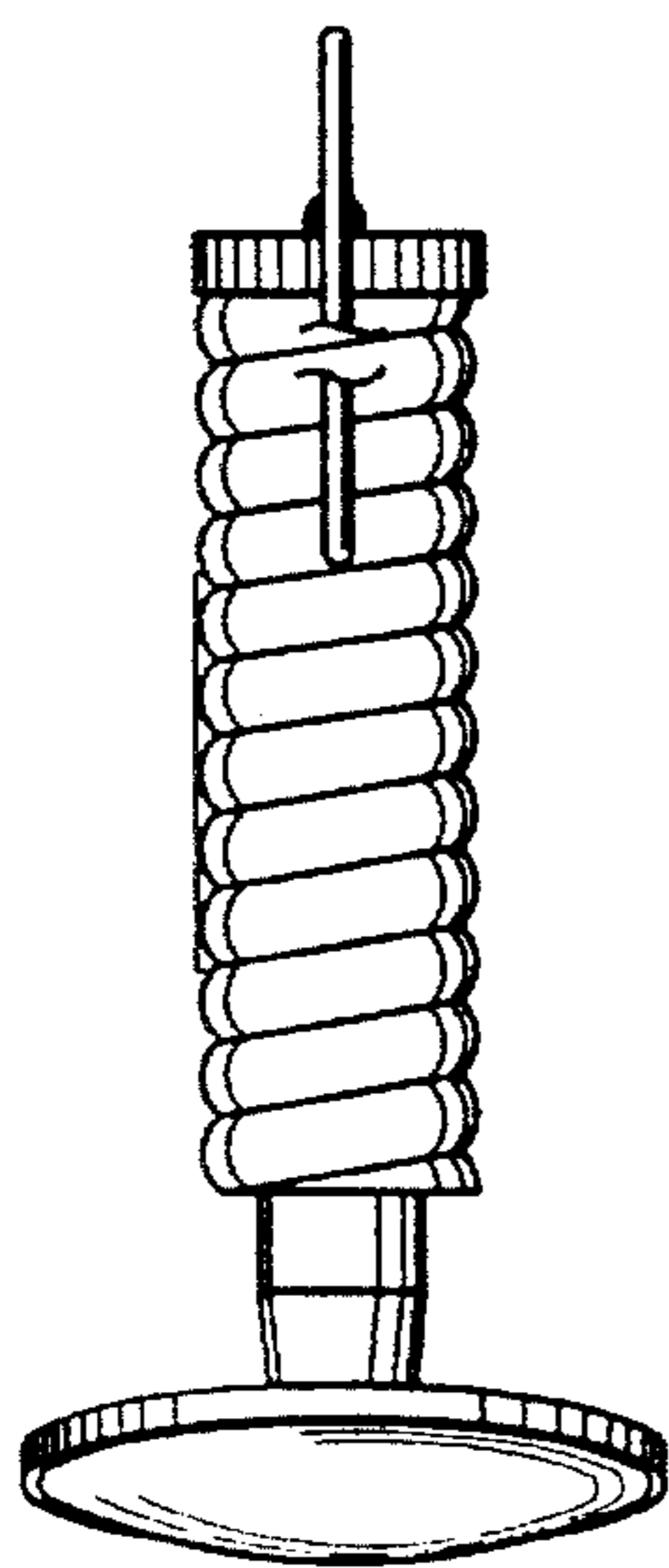
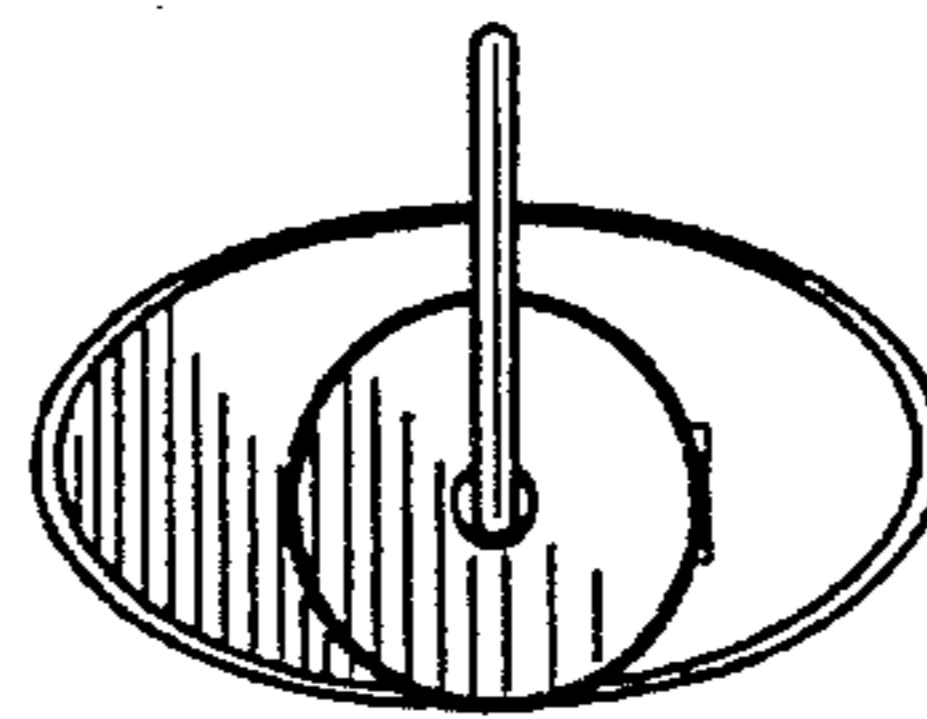


Fig. 10

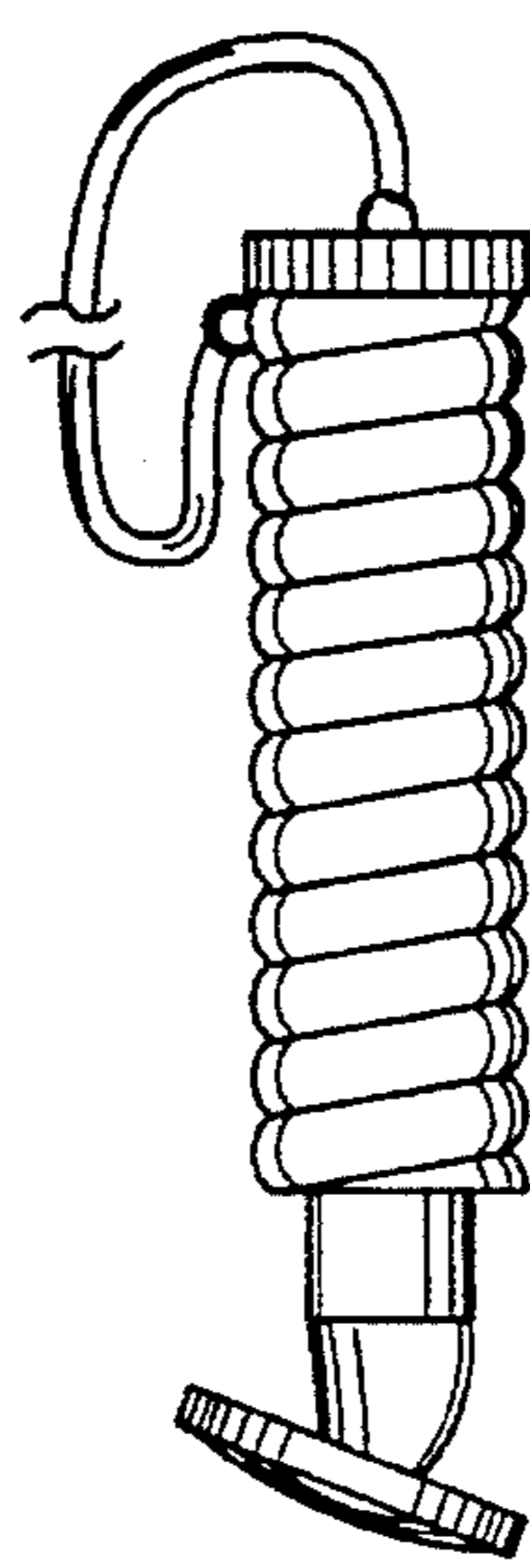


Fig. 11

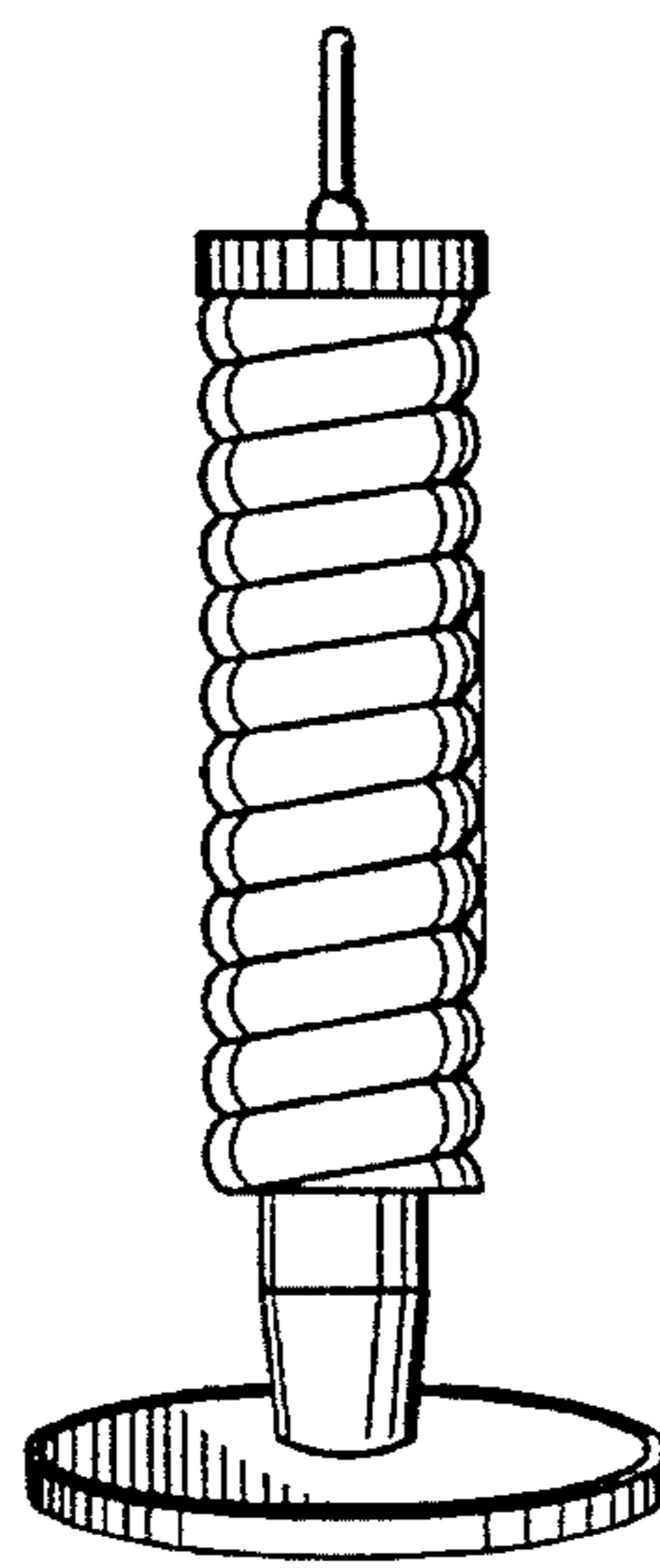


Fig. 12

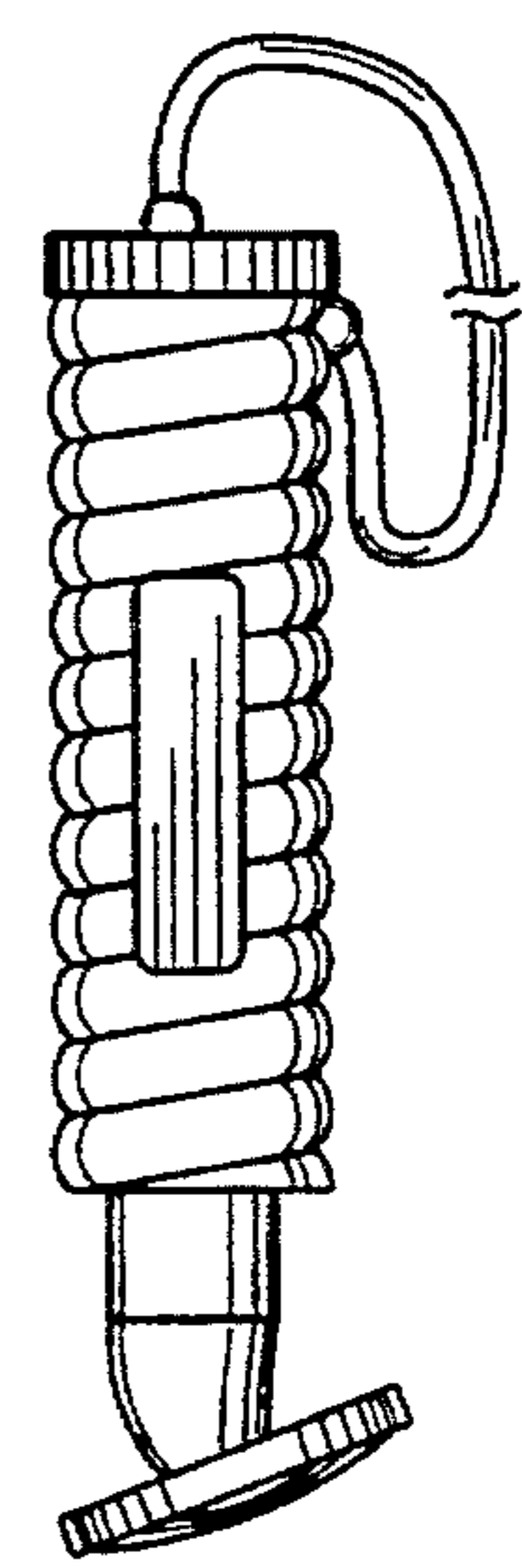


Fig. 13

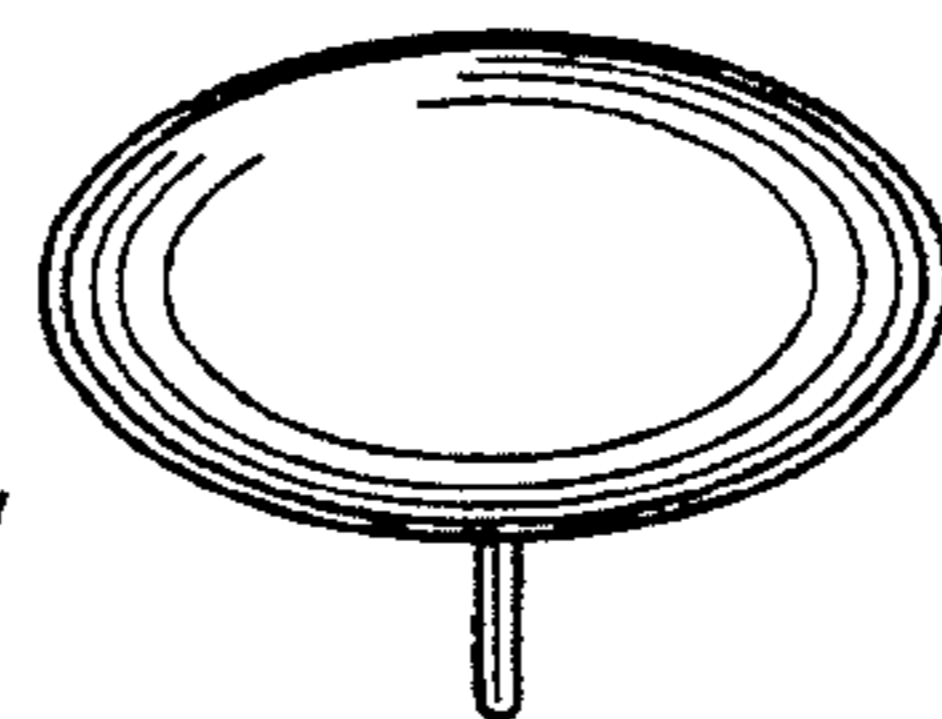


Fig. 14

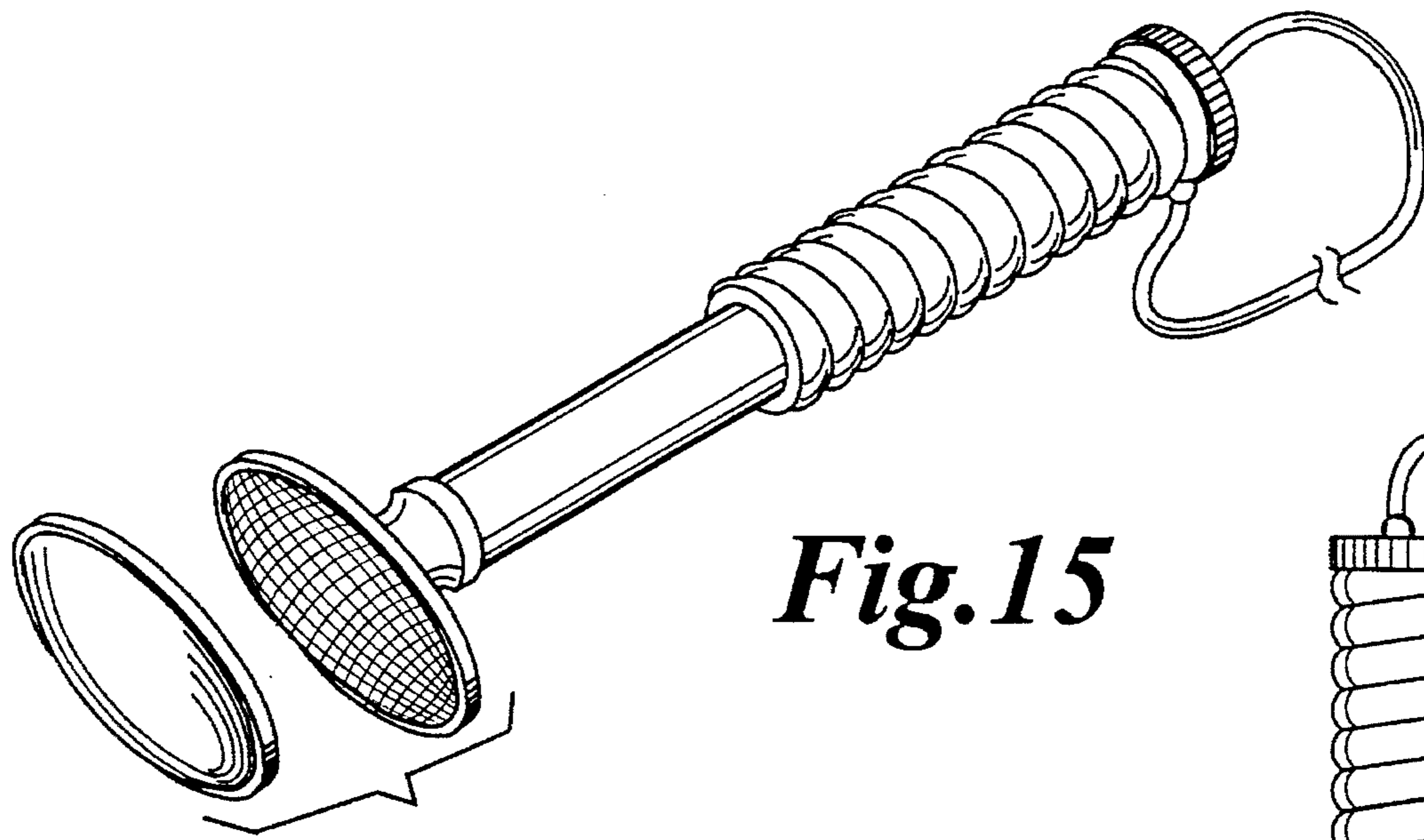


Fig. 15

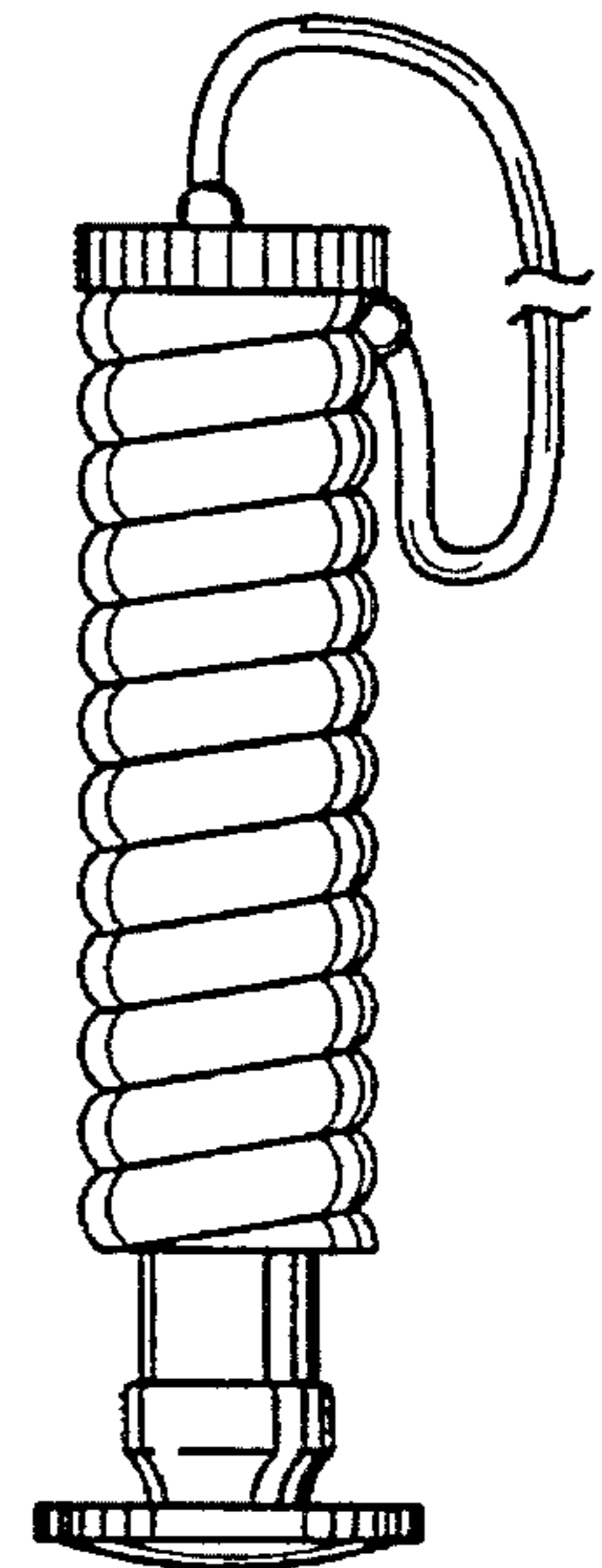


Fig. 16

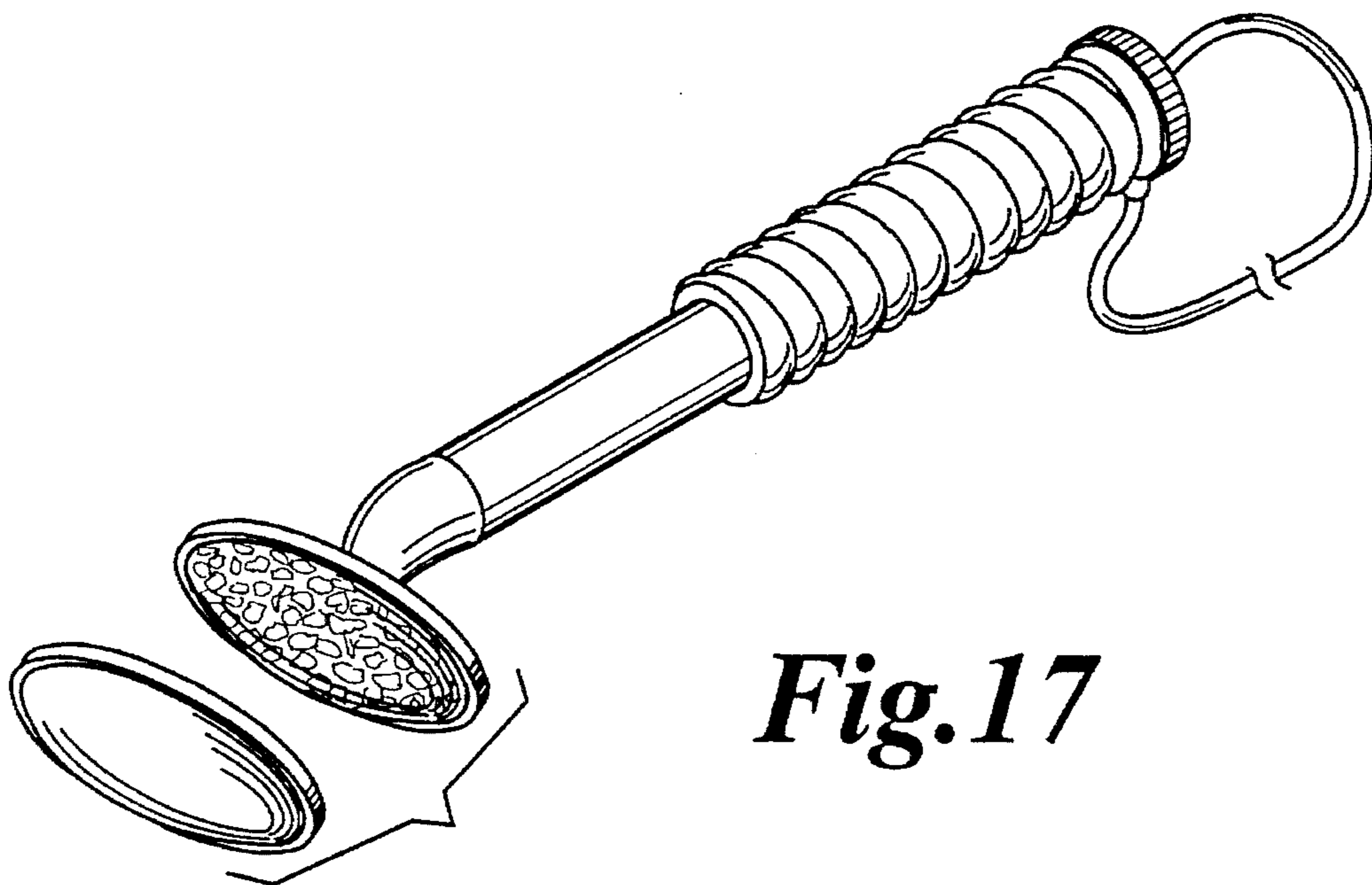


Fig. 17

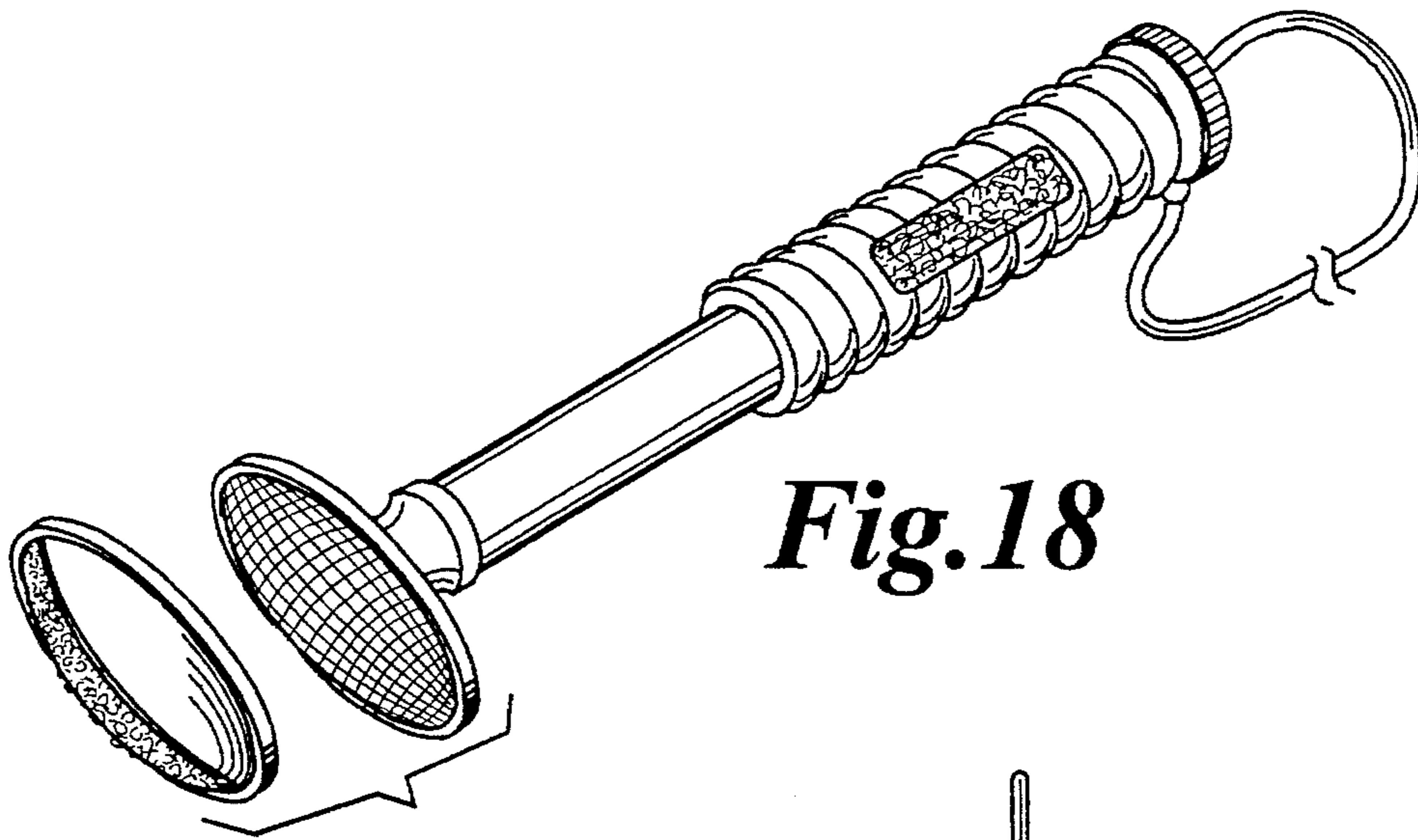


Fig. 18



Fig. 19

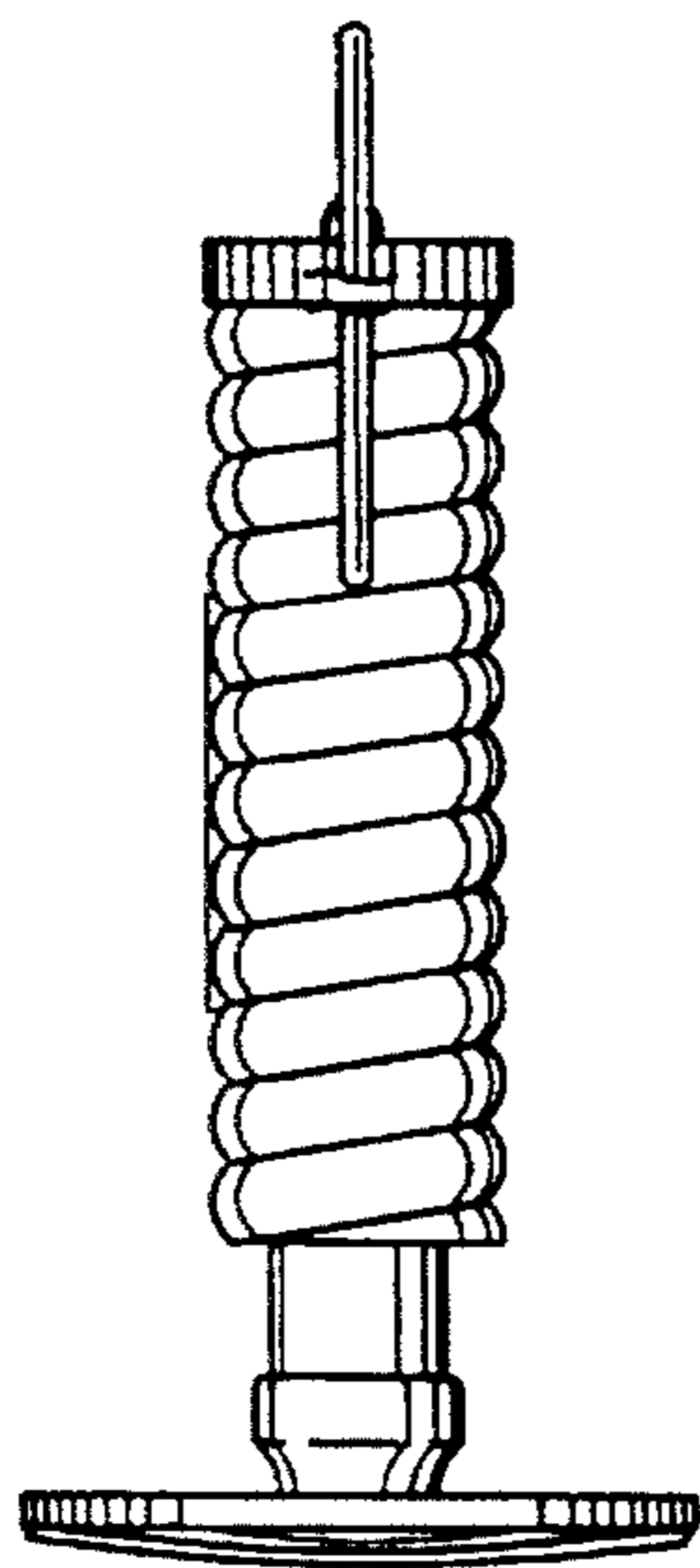


Fig. 20

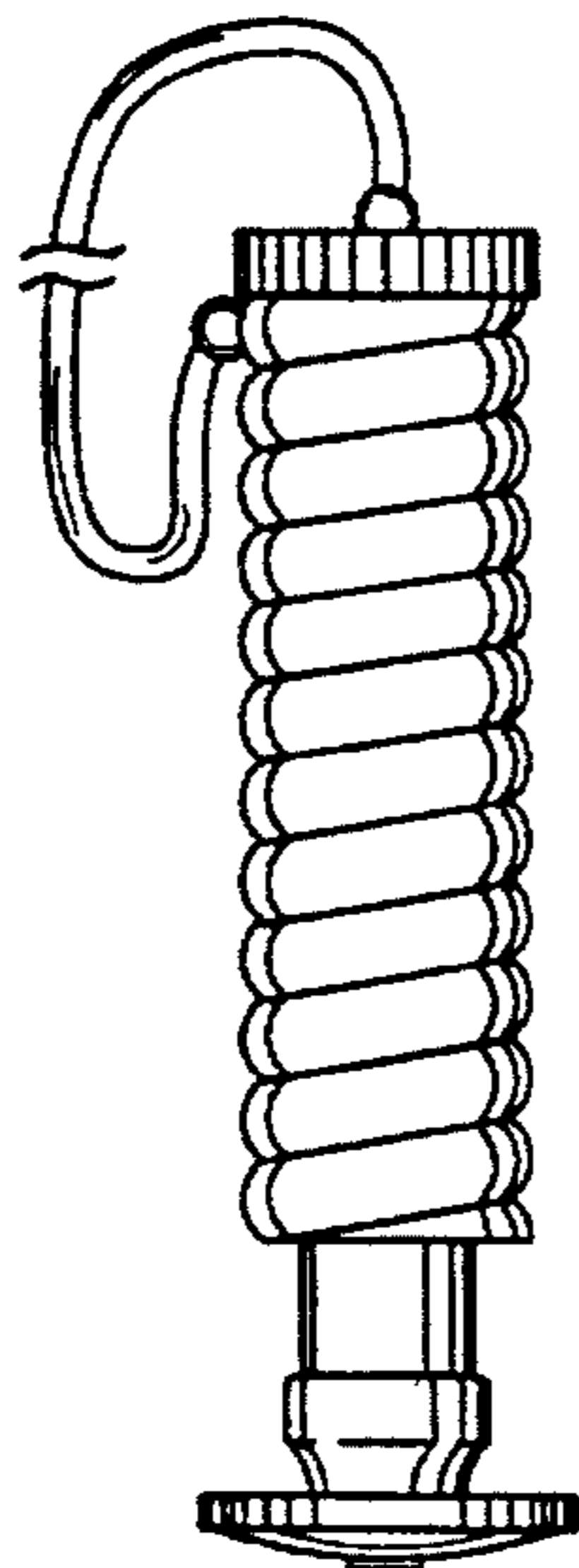


Fig. 21

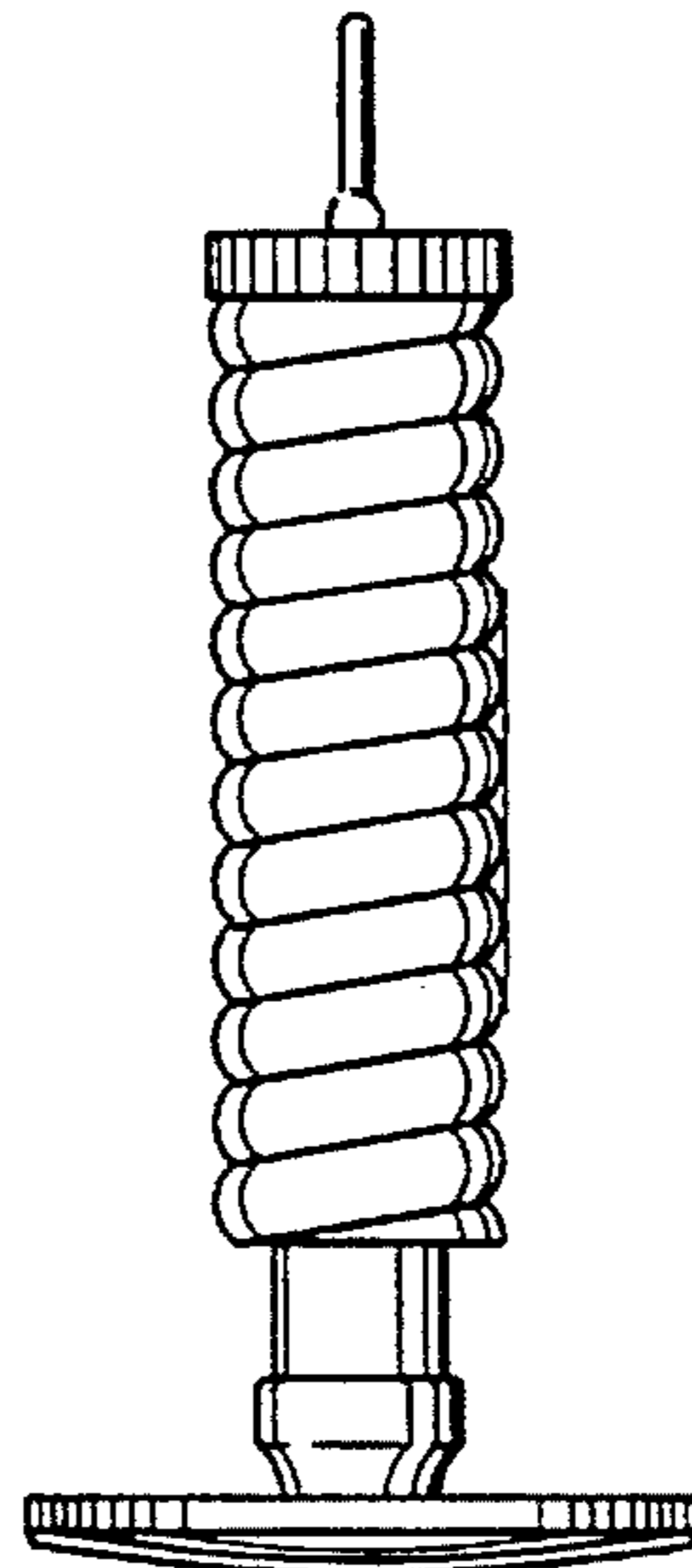


Fig. 22

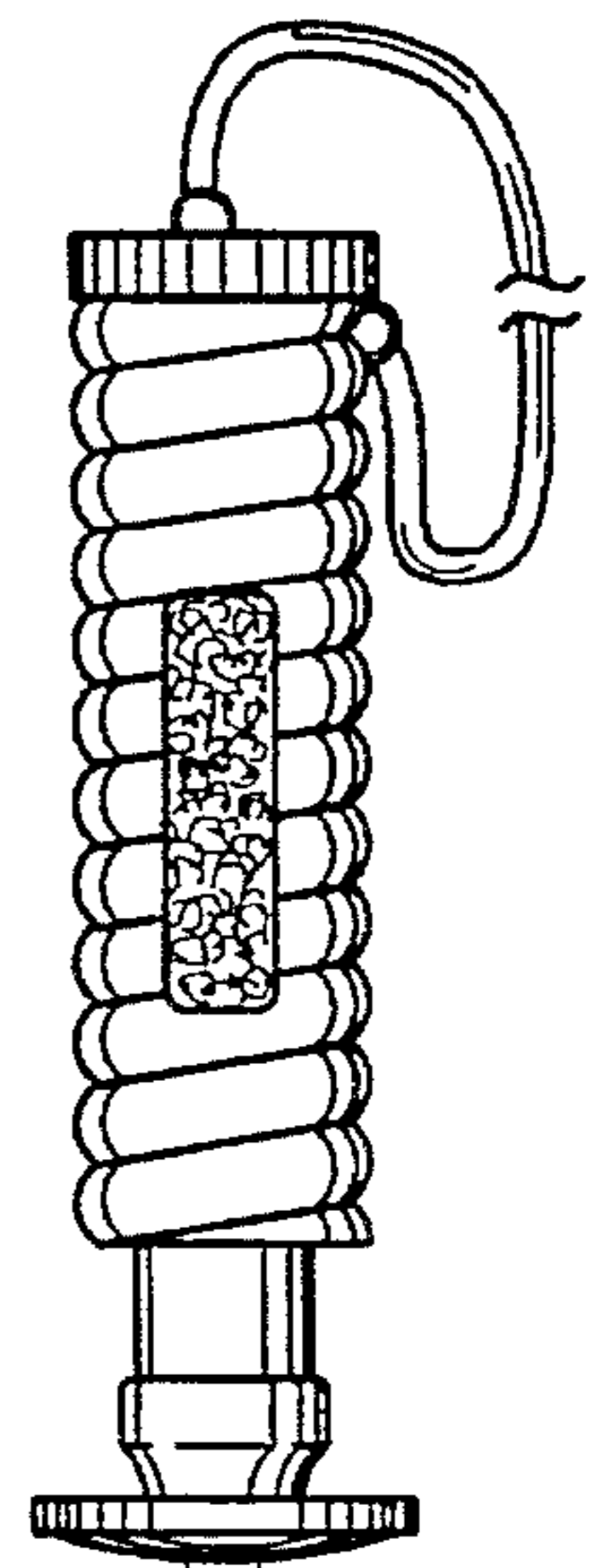


Fig. 23

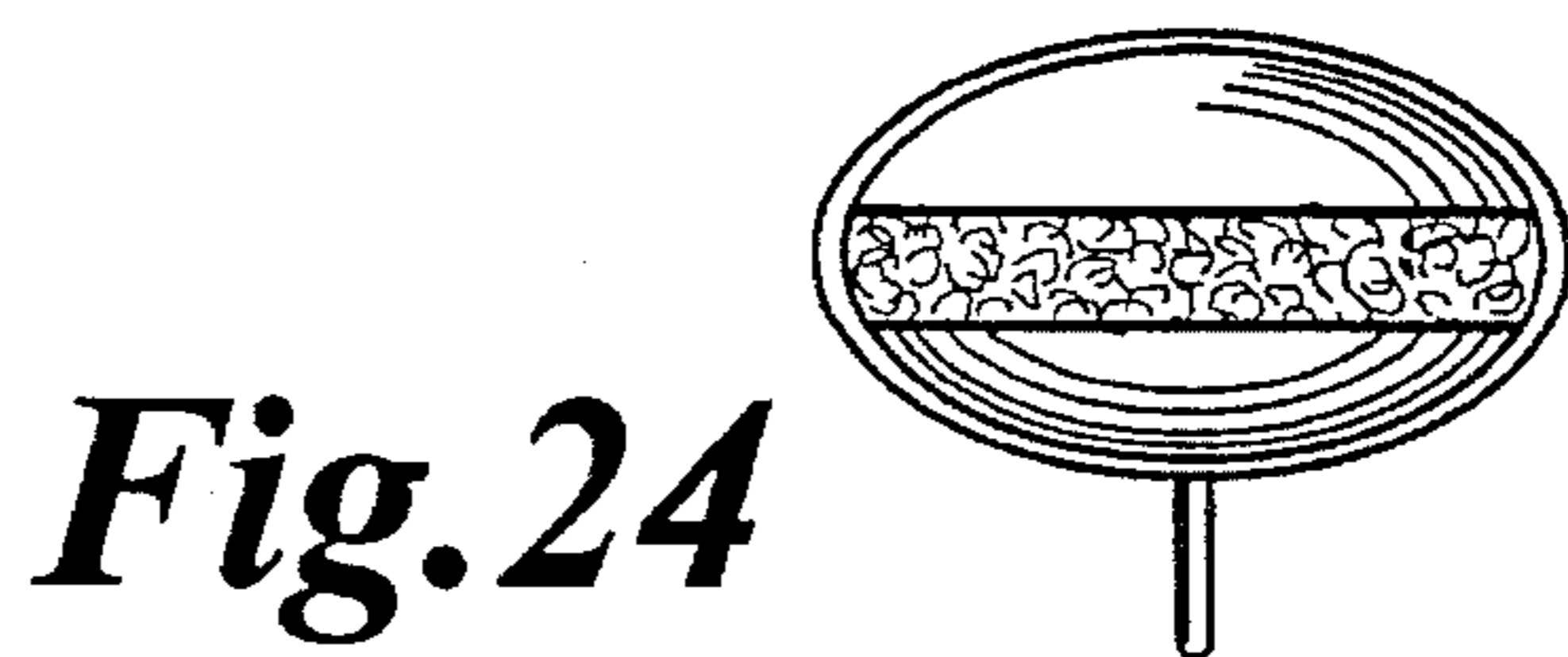


Fig. 24