



US00D364480S

United States Patent [19]

[11] Patent Number: **Des. 364,480**

Warren, Sr.

[45] Date of Patent: ****Nov. 21, 1995**

[54] **CIGARETTE HOLDER WITH VARIABLE AIR VENTS**

4,718,438 1/1988 Deal .
5,178,165 1/1993 DeFelice .

[76] Inventor: **Peter Warren, Sr.**, R.D. 1 Box 769, Jermyn, Pa. 18433

Primary Examiner—Lou Zarfes
Assistant Examiner—Monica A. Hannon

[**] Term: **14 Years**

[57] **CLAIM**

The ornamental design for the cigarette holder with variable air vents, as shown and described.

[21] Appl. No.: **25,723**

[22] Filed: **Jul. 11, 1994**

DESCRIPTION

[52] U.S. Cl. **D27/183**; D27/193

[58] Field of Search D27/162, 163, D27/166, 168, 171, 172, 175, 180, 183; 131/173, 194, 270, 329, 336, 360, 361

FIG. 1 is a front elevational view of the cigarette holder with variable air vents showing my new design, the broken lines representing a cigarette with which the present invention is used and shown for illustrative purposes only; FIG. 2 is a rear elevational view thereof; FIG. 3 is a left side elevational view thereof; FIG. 4 is a right side elevational view thereof; FIG. 5 is a top plan view thereof; and, FIG. 6 is a bottom plan view thereof.

[56] References Cited

U.S. PATENT DOCUMENTS

D. 334,631	4/1993	Jones	D27/194
4,023,576	5/1977	Norman	.	
4,593,707	6/1986	Seidel et al.	.	
4,649,945	3/1987	Norman et al.	131/336
4,658,838	4/1987	Leonard	.	

1 Claim, 3 Drawing Sheets

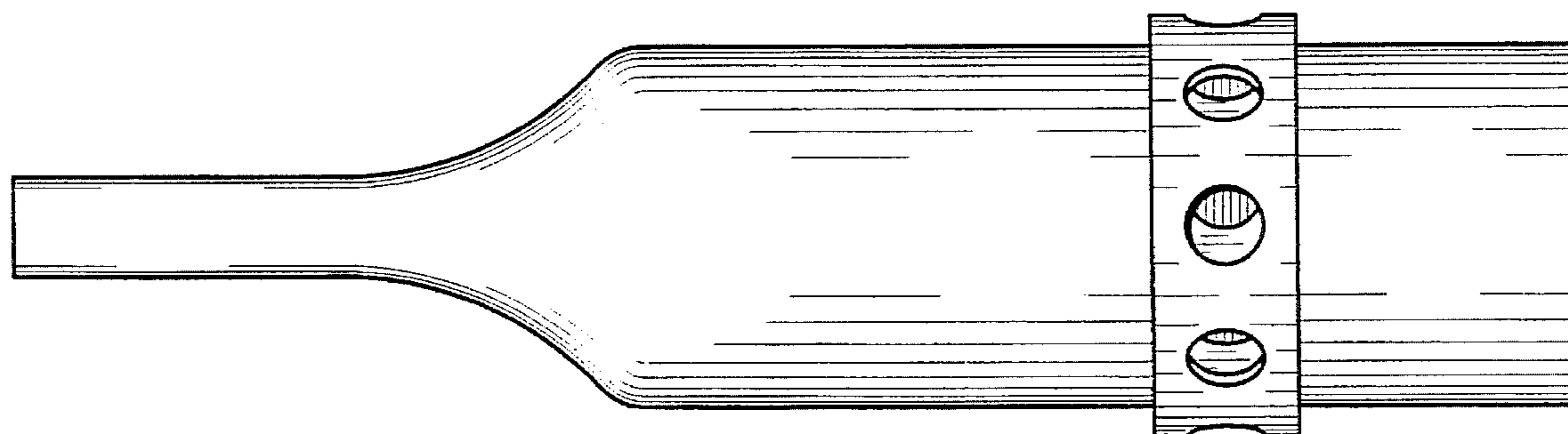


FIG. 1

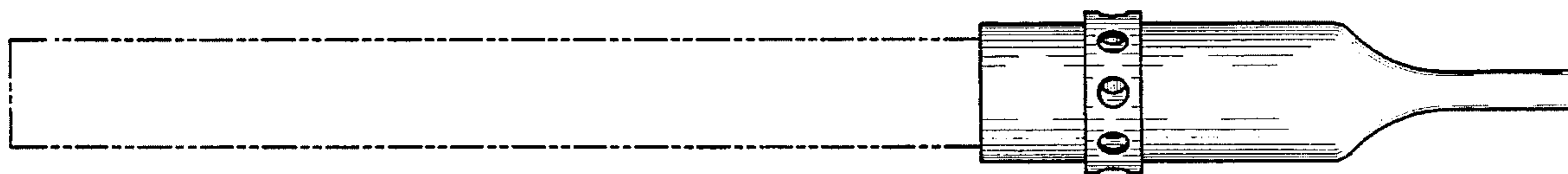


FIG. 2

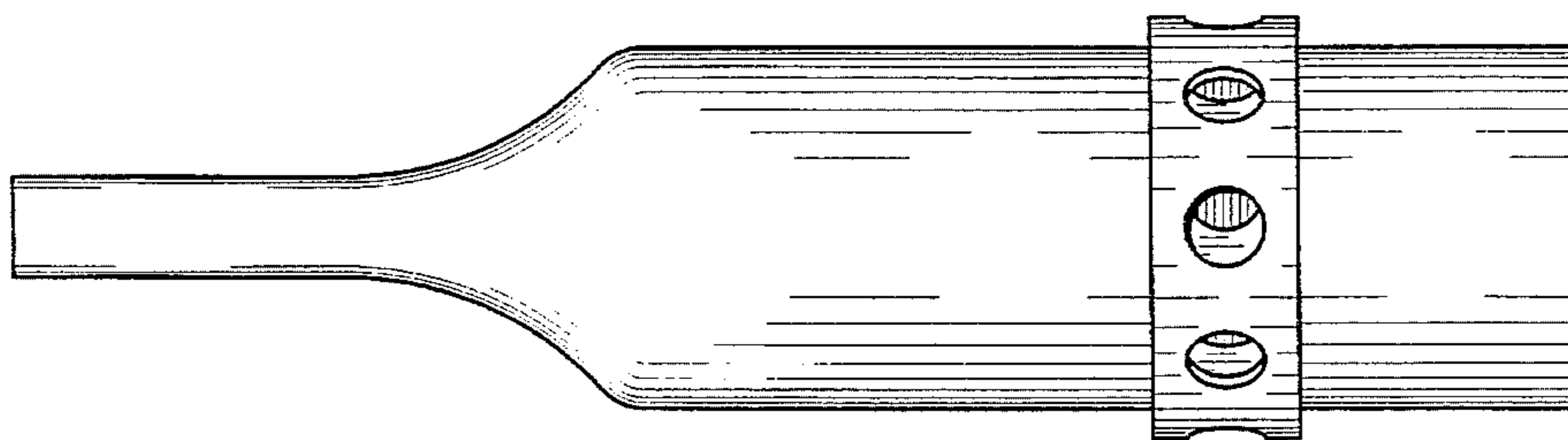


FIG. 3

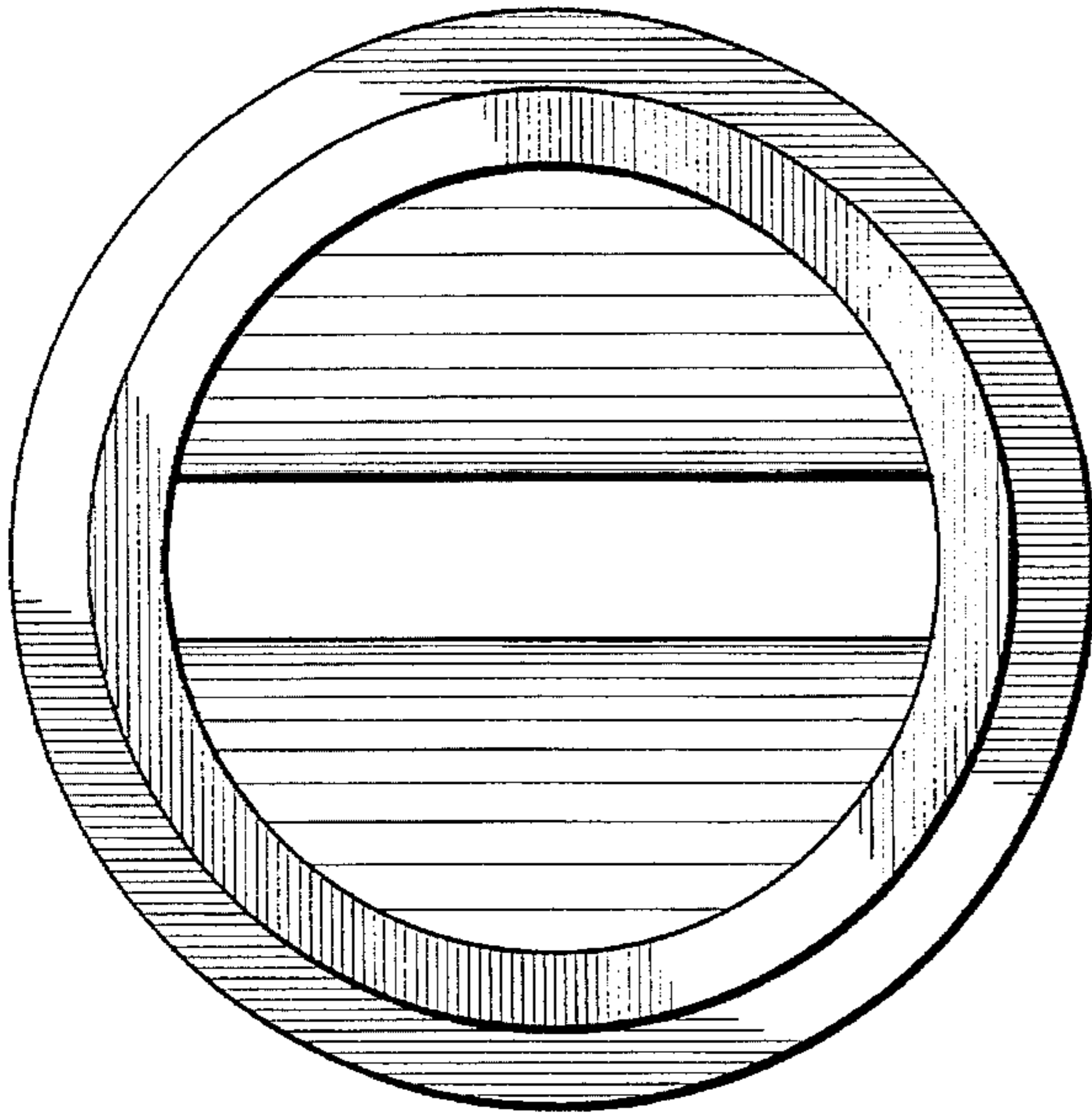


FIG. 4

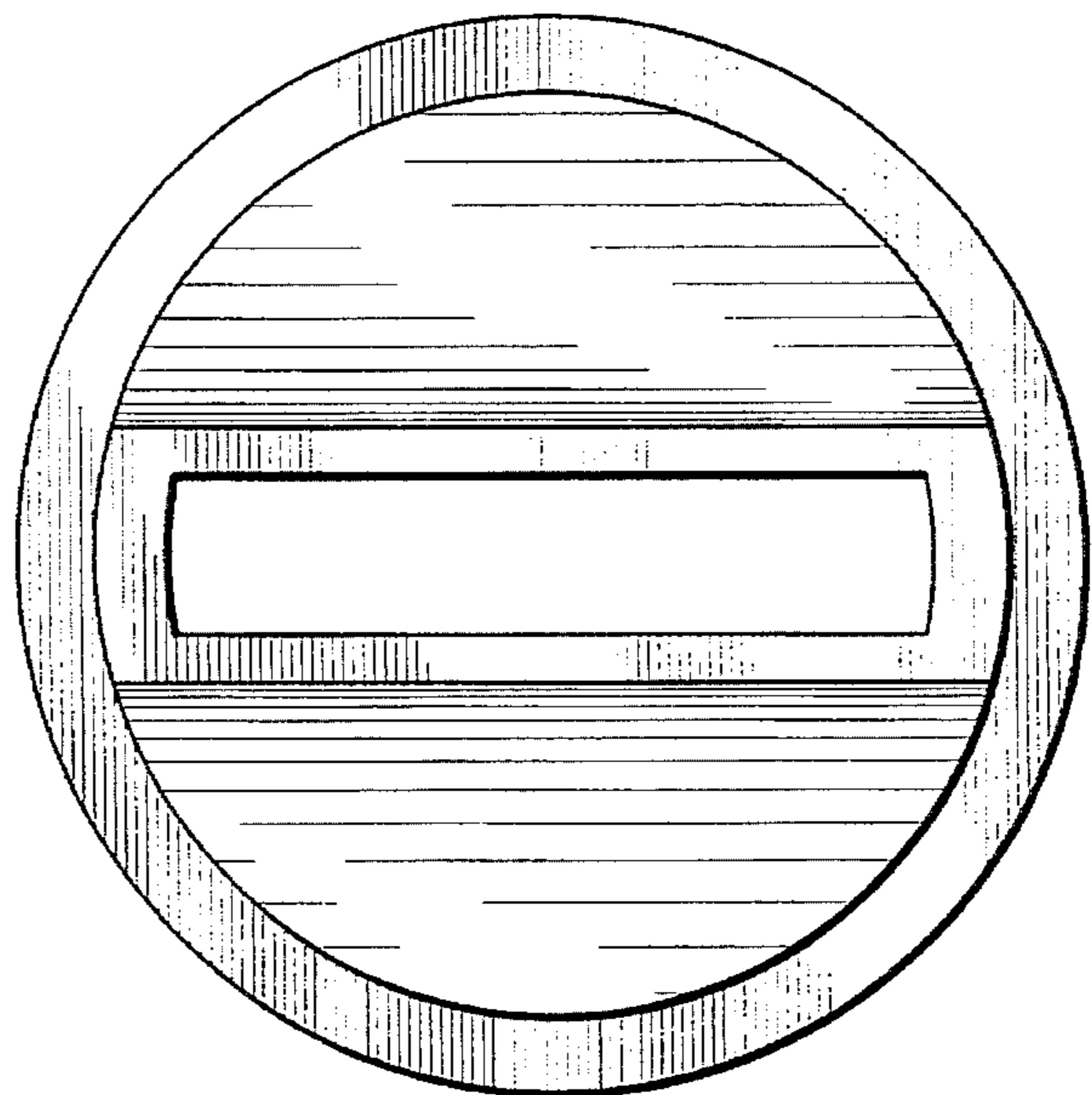


FIG. 5

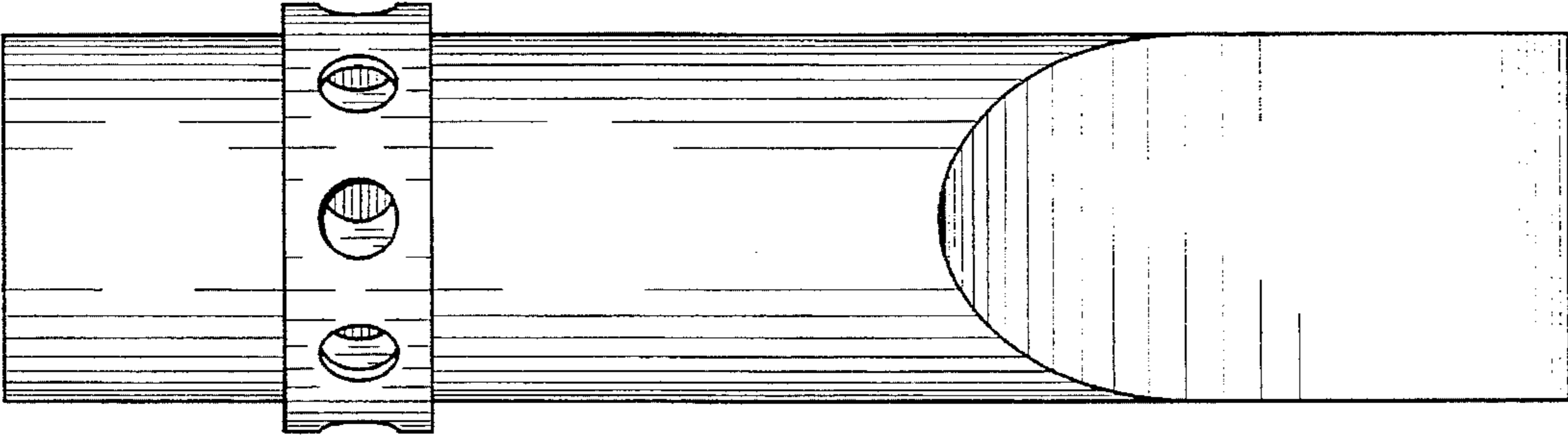


FIG. 6

