



US00D364479S

# United States Patent [19] Gilbert

[11] Patent Number: **Des. 364,479**

[45] Date of Patent: **\*\*Nov. 21, 1995**

[54] **WALL SCONCE LIGHT FIXTURE**  
[75] Inventor: **David Gilbert**, Jonesboro, Ark.  
[73] Assignee: **Don Gilbert Industries, Inc.**,  
Jonesboro, Ark.  
[\*\*] Term: **14 Years**

D. 324,742 3/1992 von Kluck ..... D26/85  
4,352,151 9/1982 Lewis ..... 362/147 X  
4,862,333 8/1989 Brasket ..... 362/147  
5,365,690 11/1994 Nelson et al. .

*Primary Examiner*—Susan J. Lucas  
*Attorney, Agent, or Firm*—Hill, Steadman & Simpson

[21] Appl. No.: **25,363**  
[22] Filed: **Jun. 30, 1994**  
[52] U.S. Cl. .... **D26/85; D26/75**  
[58] Field of Search ..... **D26/72, 75-79,**  
**D26/80, 81, 85, 87, 88; 362/147, 432, 217,**  
**220, 223**

### [57] CLAIM

The ornamental design for a wall sconce light fixture, as shown and described.

### DESCRIPTION

FIG. 1 is a perspective view from below of a wall sconce light fixture;  
FIG. 2 is a front elevational view of the wall sconce light fixture of FIG. 1;  
FIG. 3 is a side elevational view of the wall sconce light fixture of FIG. 1;  
FIG. 4 is a plan view of the wall sconce light fixture of FIG. 1;  
FIG. 5 is a base view of the wall sconce light fixture of FIG. 1; and,  
FIG. 6 is a perspective view from below of the wall sconce light fixture of FIG. 1, with a front thereof opened.

[56] **References Cited**  
U.S. PATENT DOCUMENTS  
D. 79,249 5/1929 Rosenblatt .  
D. 79,655 8/1929 Hoch .  
D. 81,664 11/1929 Rubins .  
D. 109,522 11/1936 Perkins .  
D. 167,816 9/1952 Steeber ..... D26/85  
D. 225,631 12/1972 Gilbert .  
D. 248,990 8/1978 Iacobelli .  
D. 320,668 10/1991 von Kluck ..... D26/85

**1 Claim, 1 Drawing Sheet**

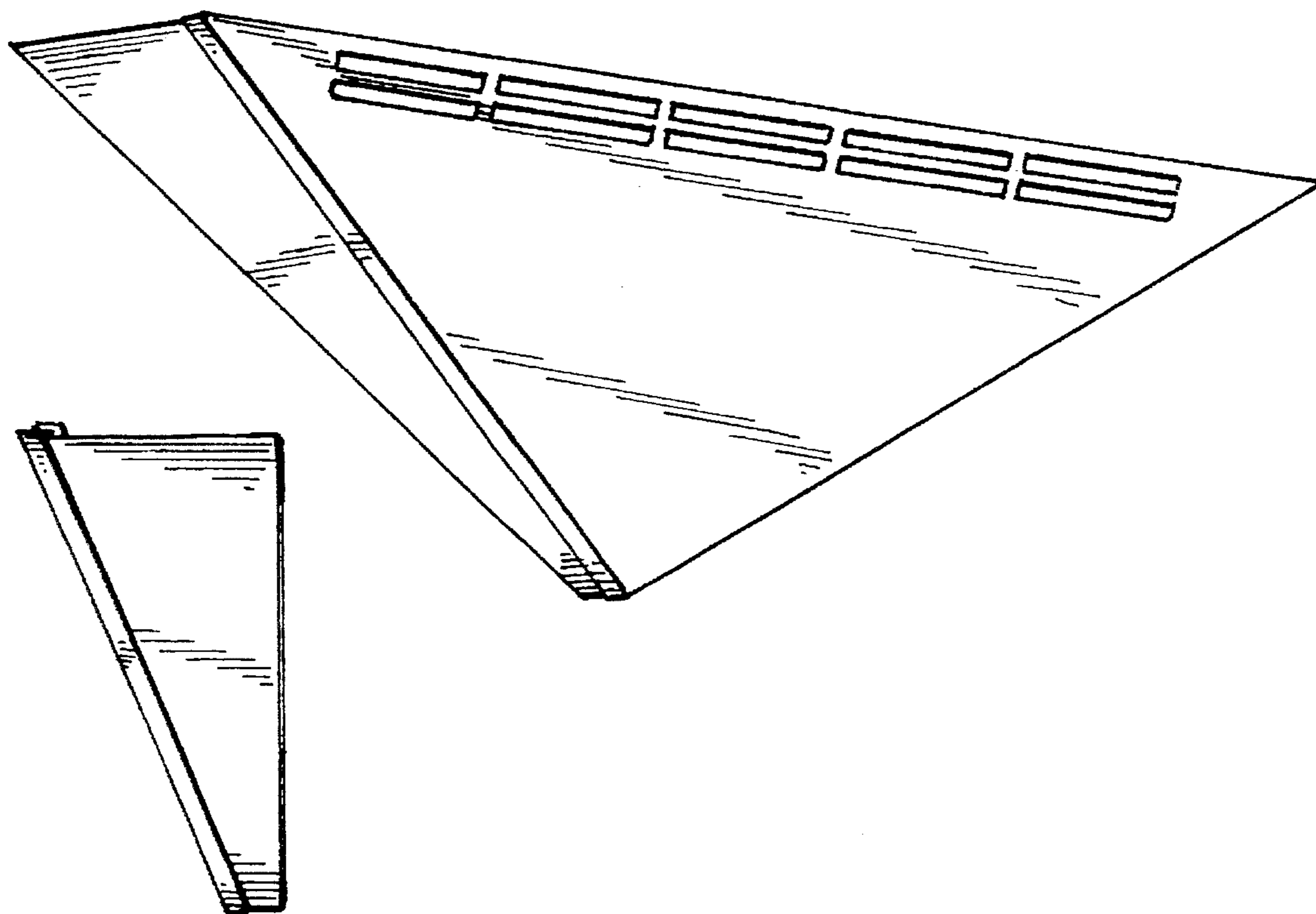


FIG. 1

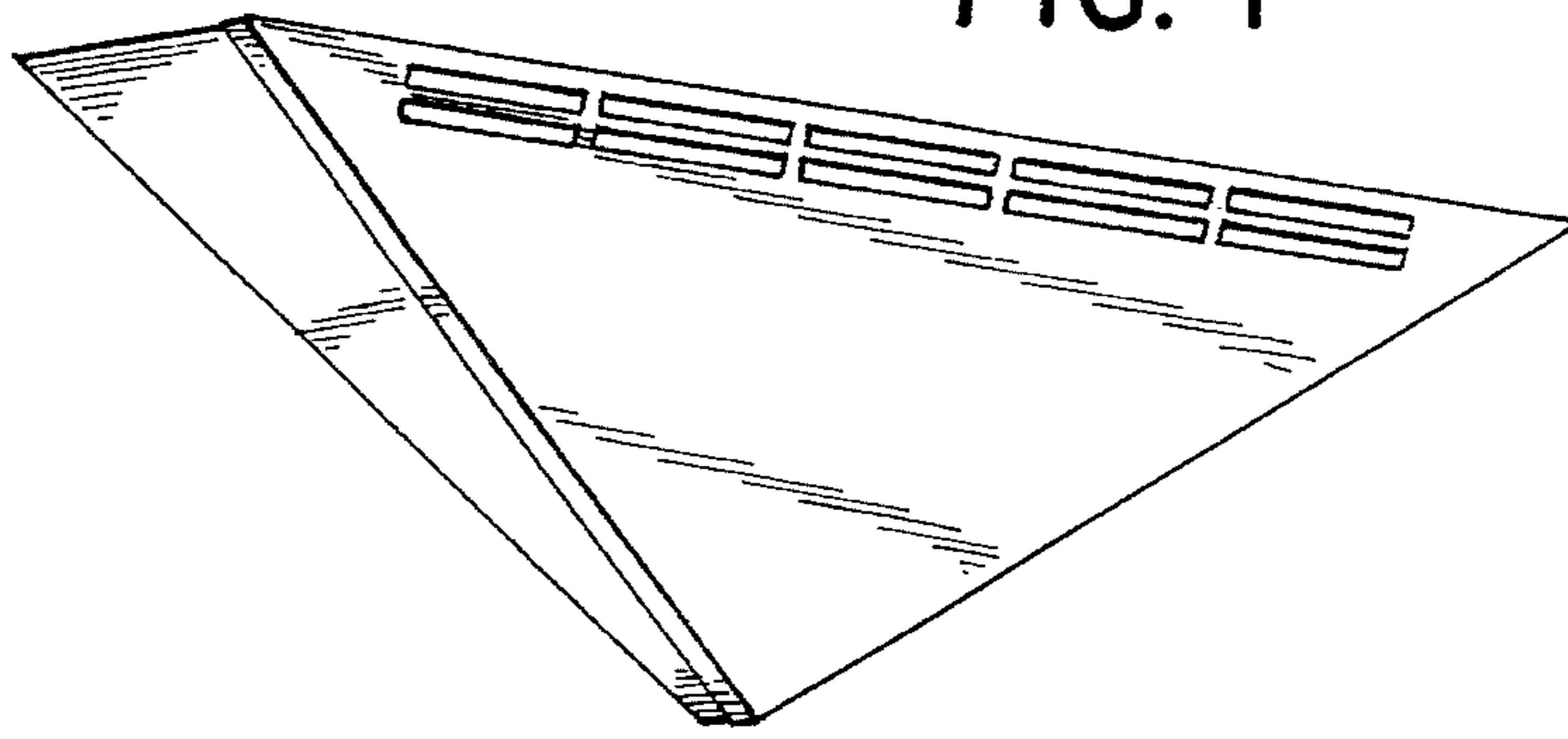


FIG. 2

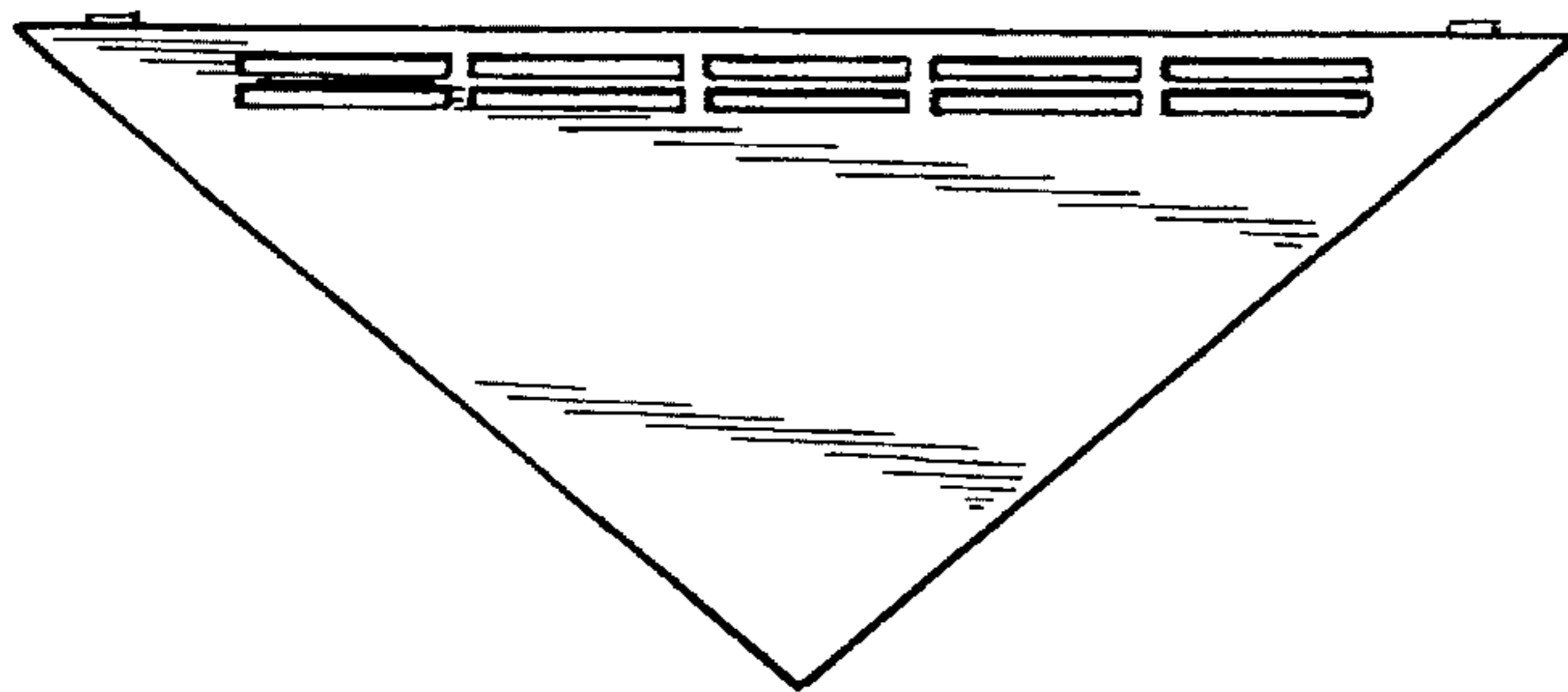


FIG. 3

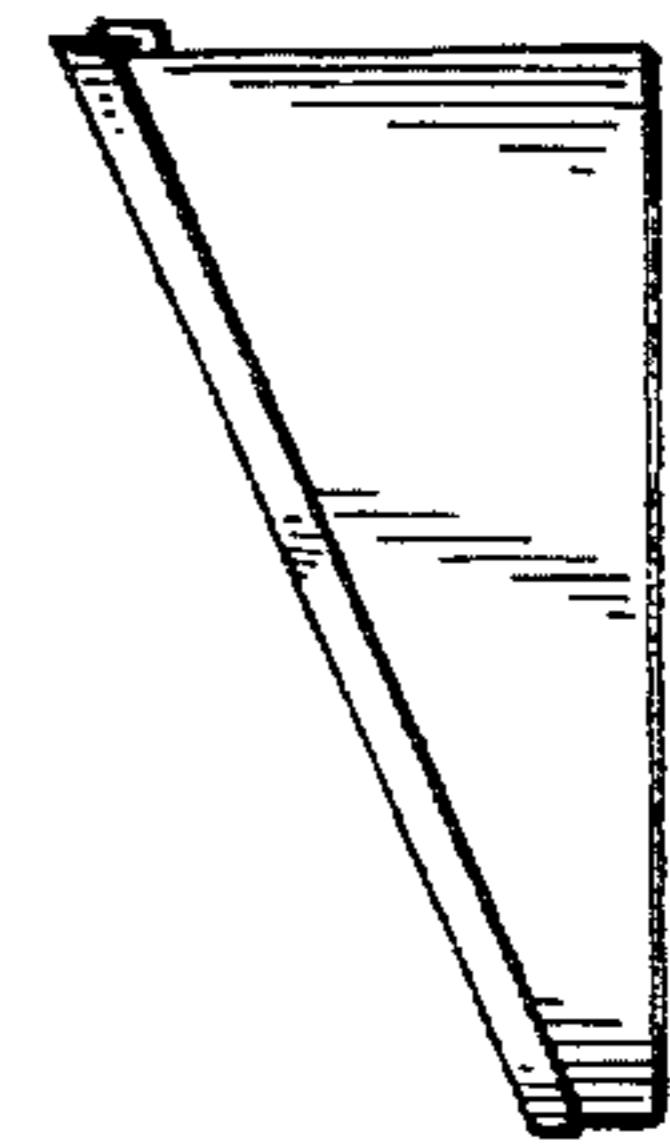


FIG. 4

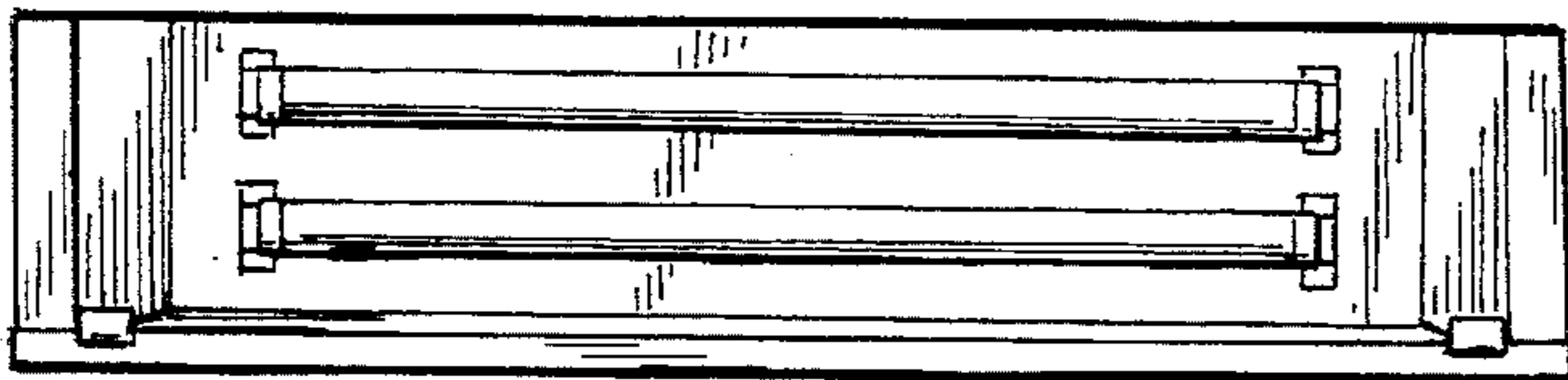


FIG. 5

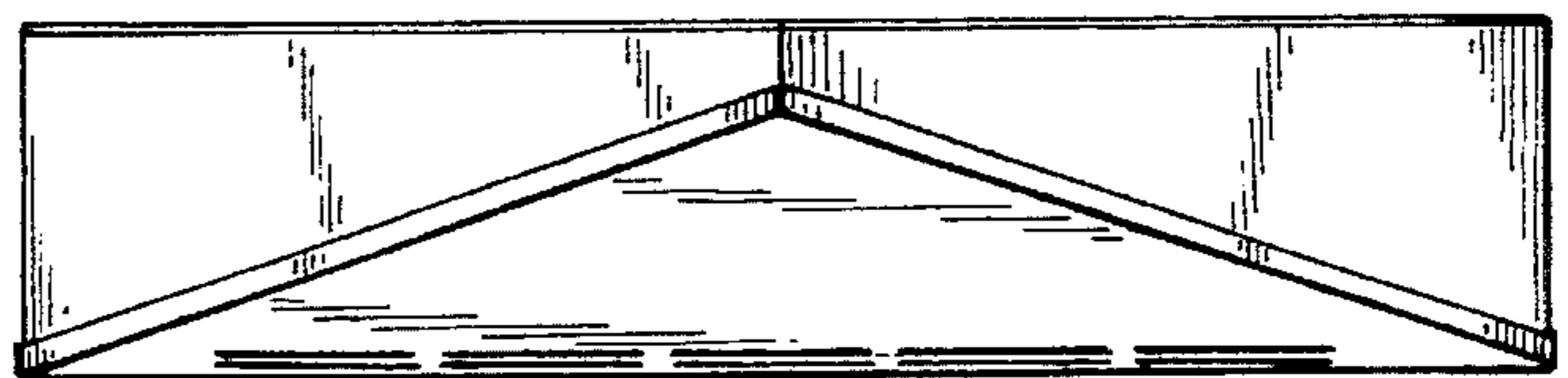


FIG. 6

