



US00D364478S

United States Patent [19]

[11] Patent Number: **Des. 364,478**

Pesau

[45] Date of Patent: ****Nov. 21, 1995**

[54] **FLUORESCENT LIGHTING FIXTURE**

D. 136,641	11/1943	Masterson	D26/77
D. 321,407	11/1991	Heidmann	D26/72
2,202,266	5/1940	Phillips	362/223

[75] Inventor: **Karin Pesau**, Vienna, Austria

[73] Assignee: **Zumtobel Licht GmbH**, Dornbirn, Austria

Primary Examiner—Susan J. Lucas
Attorney, Agent, or Firm—Robbins, Berliner & Carson

[**] Term: **14 Years**

[57] **CLAIM**

[21] Appl. No.: **7,240**

The ornamental design of a fluorescent lighting fixture, as shown and described.

[22] Filed: **Apr. 16, 1993**

DESCRIPTION

[30] **Foreign Application Priority Data**

FIG. 1 is a front elevation view of the fluorescent lighting fixture of this invention, the rear being a mirror image;
 FIG. 2 is a perspective, front, bottom, right side view thereof;
 FIG. 3 is a perspective, front, top, left side view thereof;
 FIG. 4 is a bottom plain view thereof;
 FIG. 5 is a left side view thereof, the right side view being a mirror image; and,
 FIG. 6 is a top plan view thereof.

Oct. 20, 1992 [DE] Germany M920758.1

[52] U.S. Cl. **D26/76**

[58] Field of Search D26/72, 80-92,
D26/75, 76, 77, 78; 362/147, 404-408,
217-224

[56] **References Cited**

U.S. PATENT DOCUMENTS

D. 132,982 7/1942 Beck D26/77

1 Claim, 2 Drawing Sheets

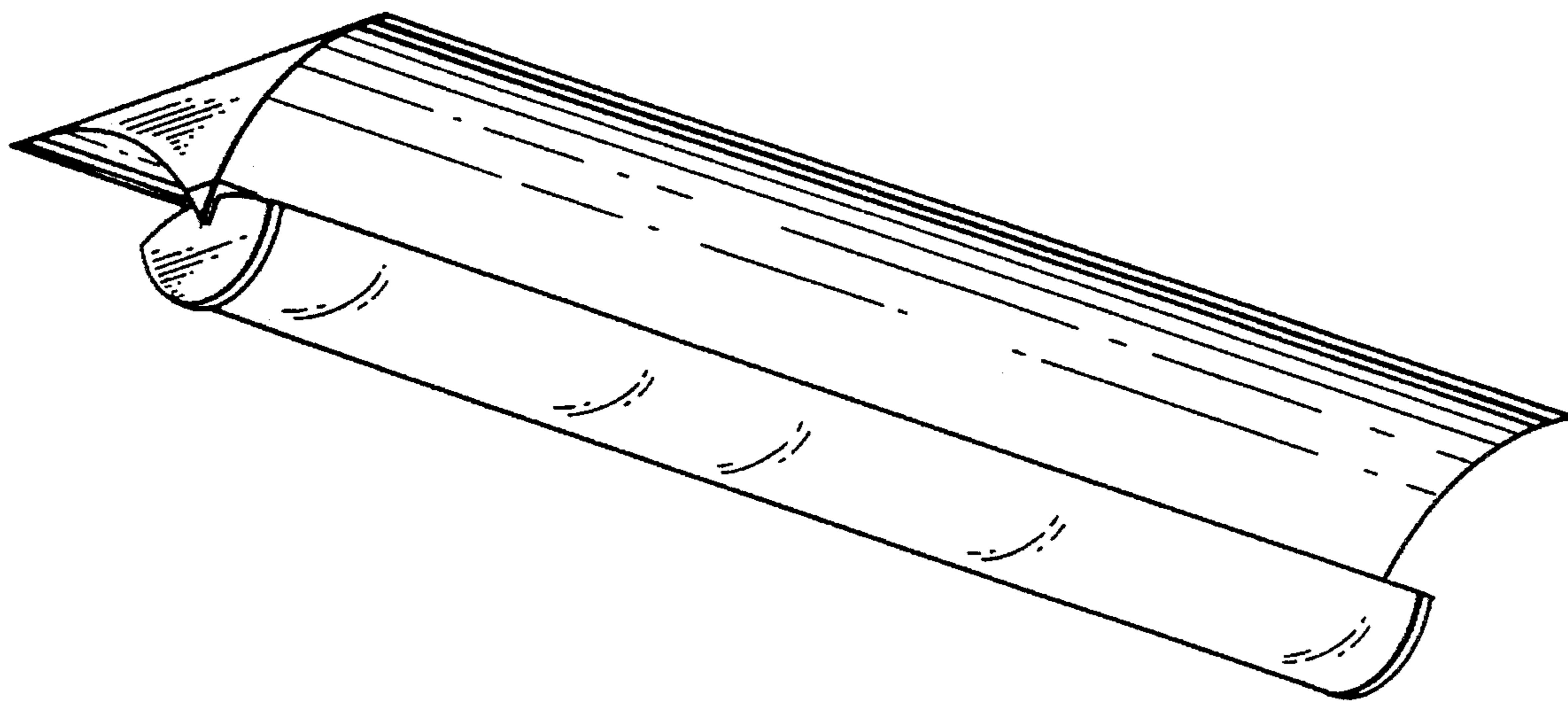


FIG. 1

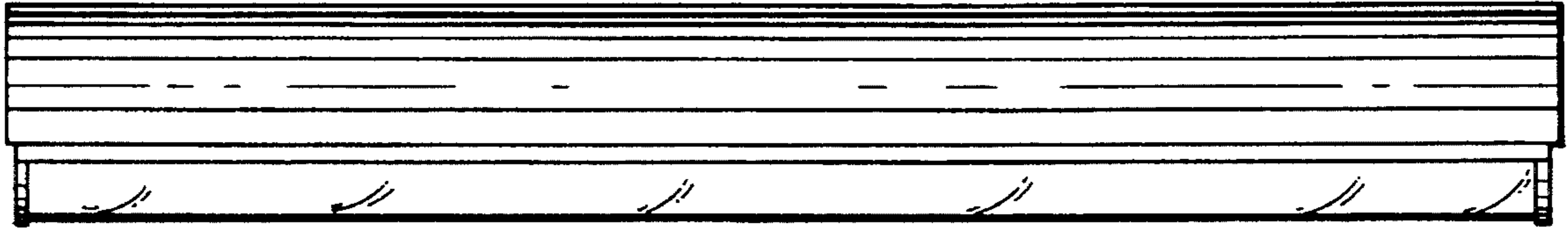


FIG. 2

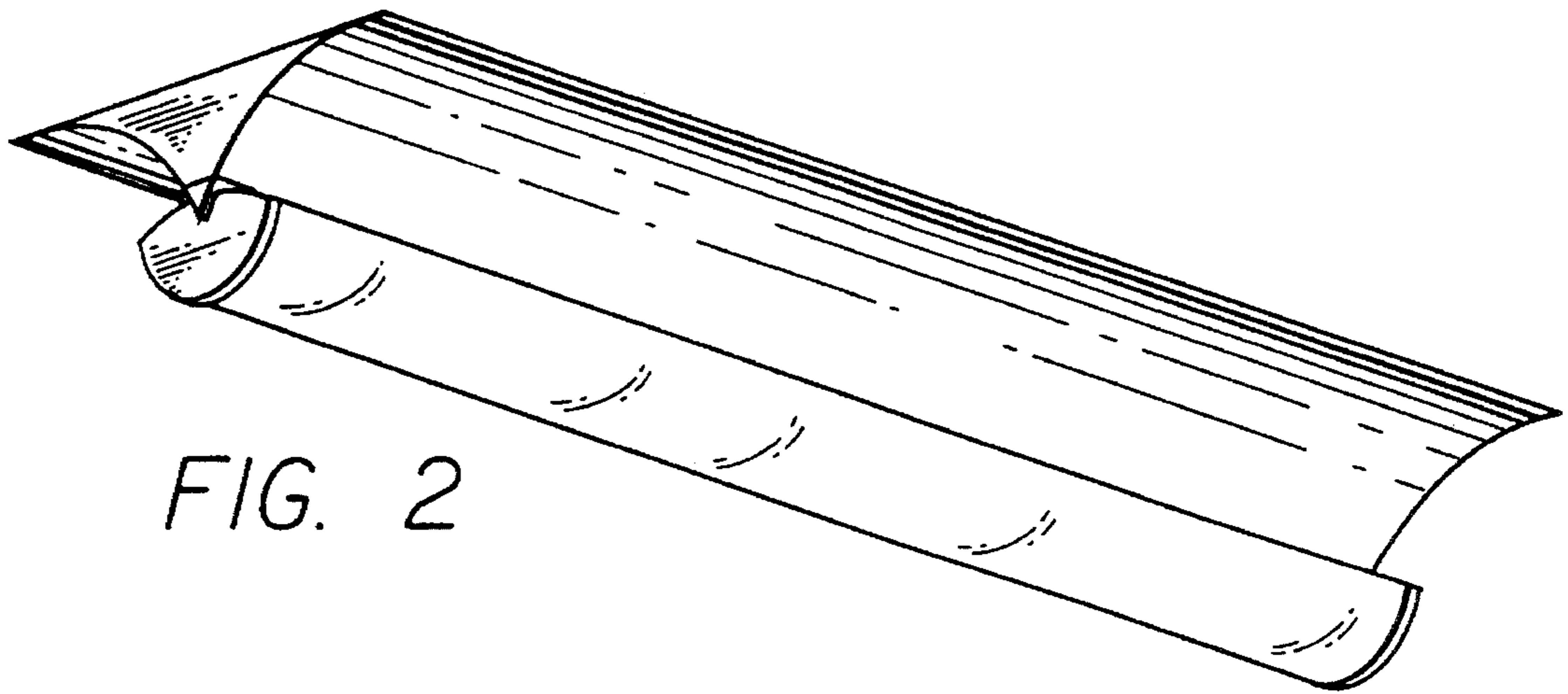
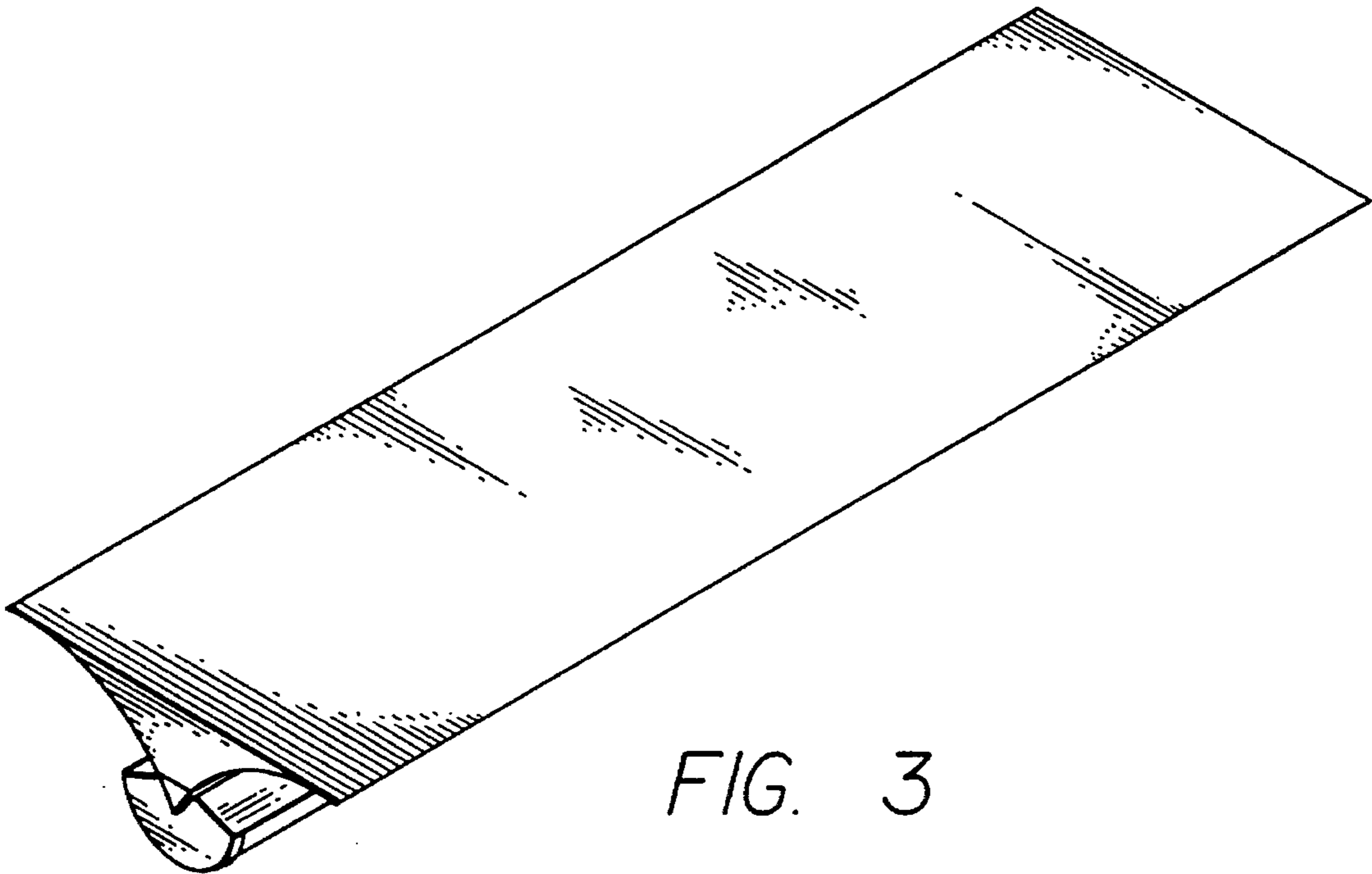


FIG. 3



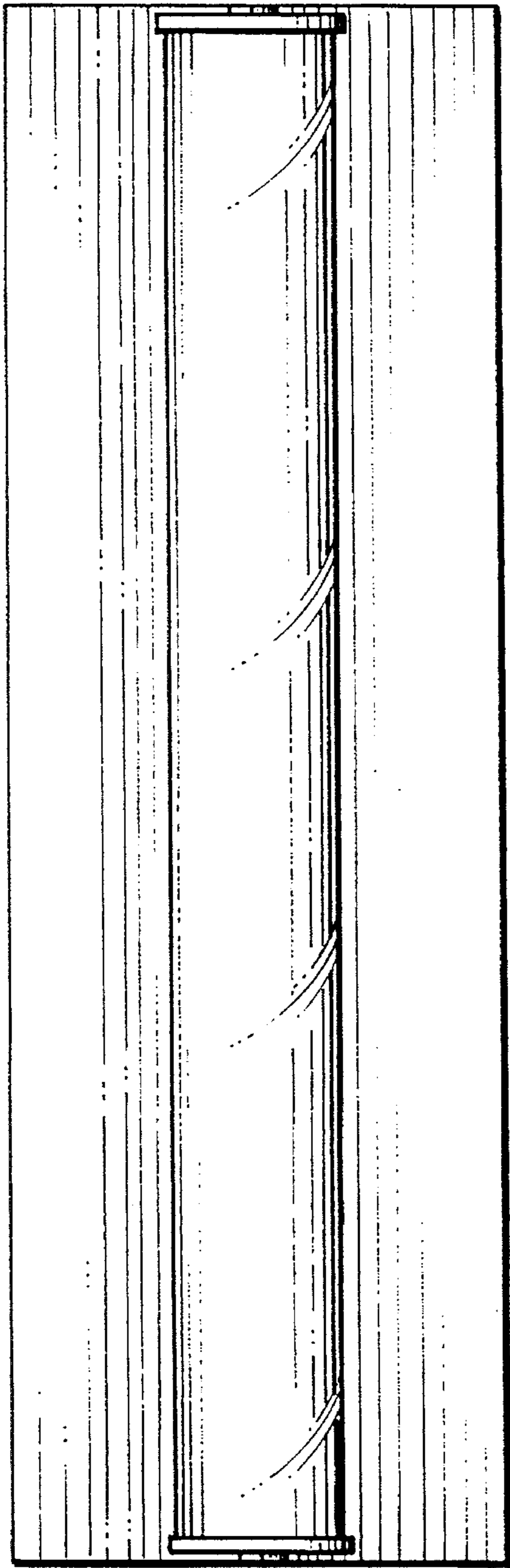


FIG. 4

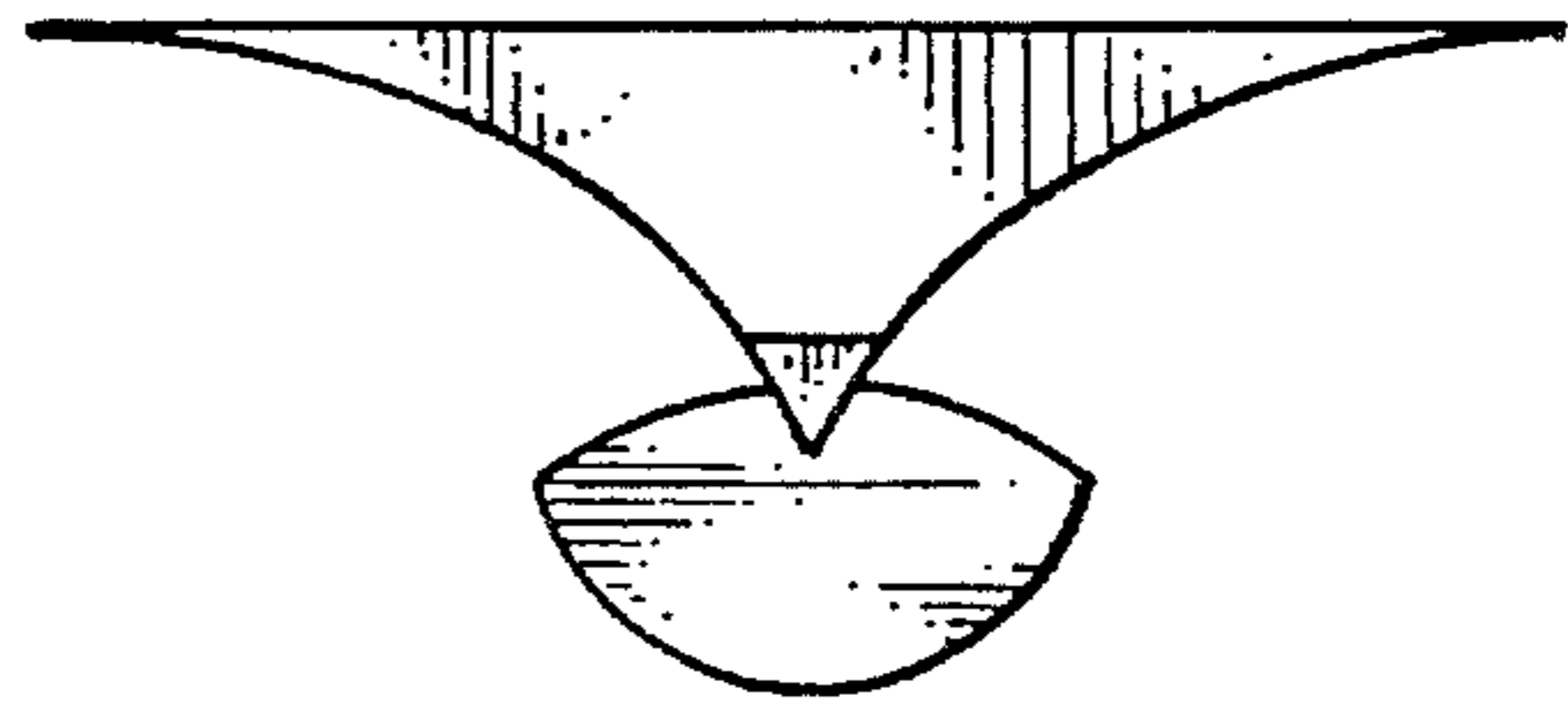


FIG. 5

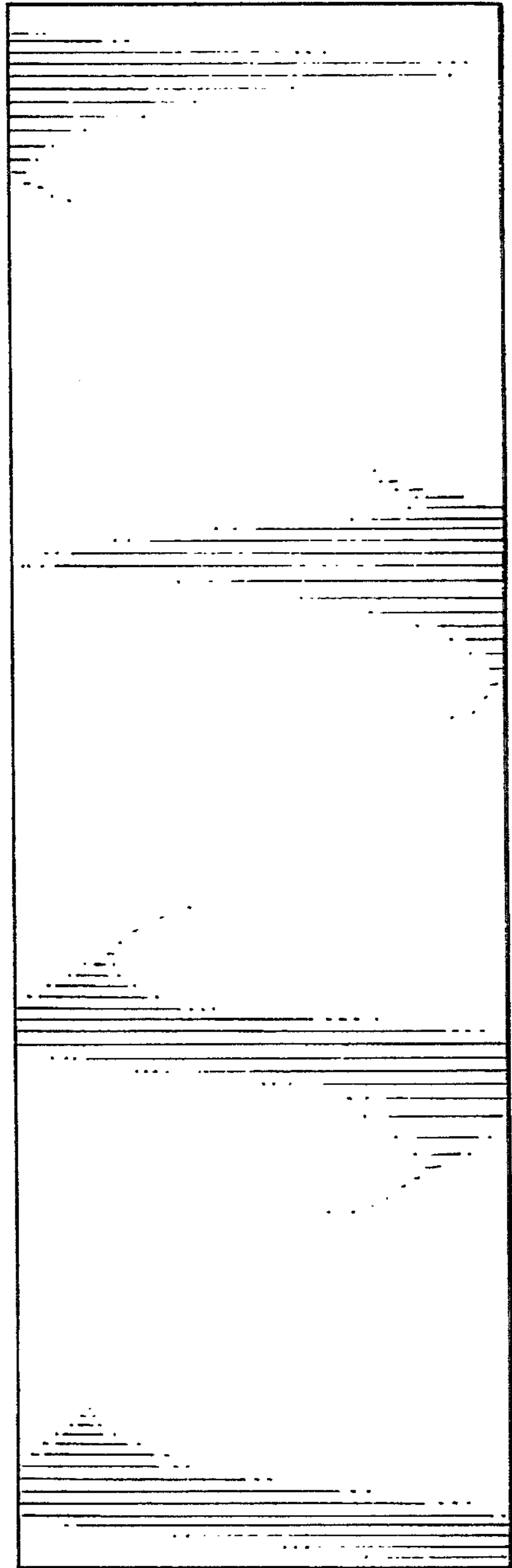


FIG. 6