



US00D364473S

# United States Patent [19]

Goss, Jr.

[11] Patent Number: **Des. 364,473**

[45] Date of Patent: **\*\*Nov. 21, 1995**

[54] **WINDOW COMPONENT EXTRUSION**

[75] Inventor: **Lorane C. Goss, Jr.**, Slippery Rock, Pa.

[73] Assignee: **Mikron Industries, Inc.**, Kent, Wash.

[\*\*] Term: **14 Years**

[21] Appl. No.: **32,289**

[22] Filed: **Dec. 15, 1994**

[52] U.S. Cl. .... **D25/124**

[58] Field of Search ..... D25/52, 124-125;  
52/204.5, 204.56, 204.51, 730.3, 204.1;  
49/DIG. 2, 504-505

[56] **References Cited**

**U.S. PATENT DOCUMENTS**

D. 327,746 7/1992 Valentin ..... D25/124

*Primary Examiner*—Doris Clark  
*Attorney, Agent, or Firm*—Seed and Berry

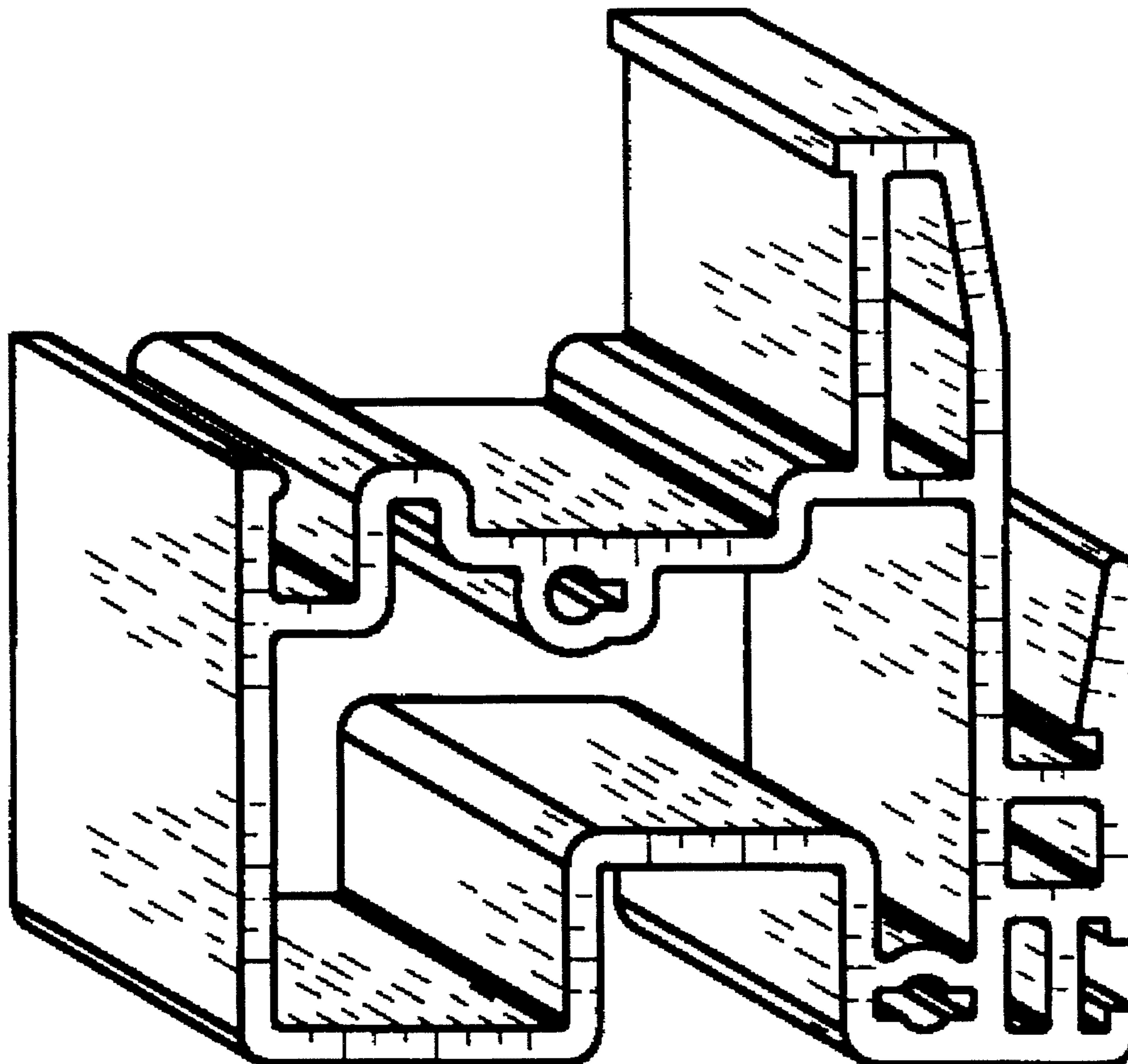
[57] **CLAIM**

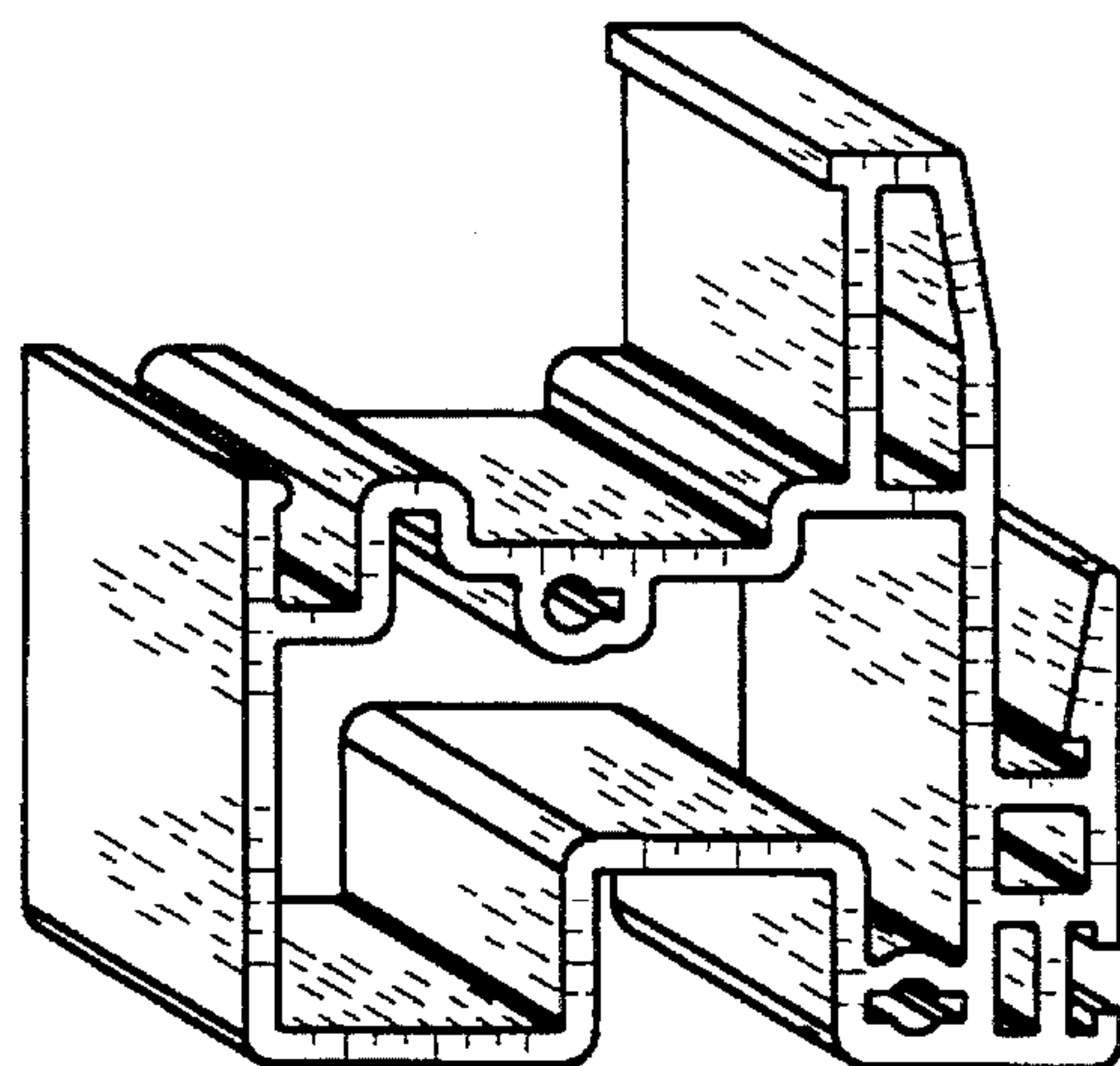
The ornamental design for a window component extrusion, as shown and described.

**DESCRIPTION**

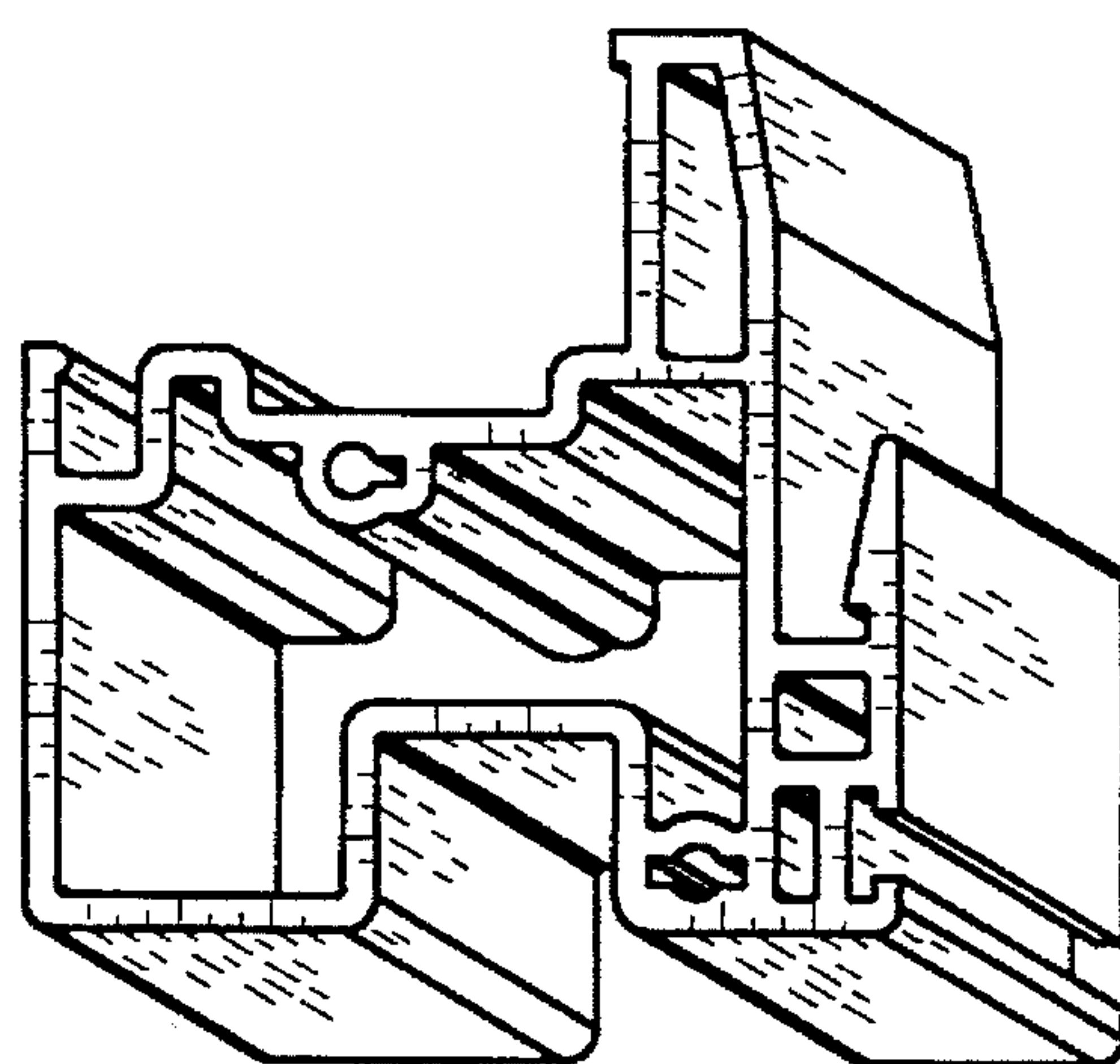
FIG. 1 is a top right perspective view of a window component extrusion showing my new design, the window component extrusion being of indefinite length; and, FIG. 2 is a bottom left perspective view thereof.

**1 Claim, 1 Drawing Sheet**





*FIG. 1*



*FIG. 2*