



US00D364467S

United States Patent [19]

Johnson

[11] Patent Number: Des. 364,467

[45] Date of Patent: **Nov. 21, 1995

[54] PORTABLE LABORATORY ANALYZER

[75] Inventor: Reed B. Johnson, Cumming, Ga.

[73] Assignee: Usability Systems, Inc., Alpharetta, Ga.

[**] Term: 14 Years

[21] Appl. No.: 26,061

[22] Filed: Jul. 18, 1994

[52] U.S. Cl. D24/231; D10/81; D24/231

[58] Field of Search D24/231, 232, D24/186, 169, 167, 185; D10/81; 422/66, 67, 63, 68.1, 99, 65

[56] References Cited

U.S. PATENT DOCUMENTS

D. 200,119	1/1965	Huntsman	D10/81
D. 221,001	6/1971	Sylvester	D10/81 X
D. 265,346	7/1982	Maier	D24/232
D. 351,910	10/1994	Anderson et al.	D24/232 X
4,798,705	1/1989	Jakubowicz et al.	D10/81 X

Primary Examiner—Louis S. Zarfes
Assistant Examiner—I. Simmons
Attorney, Agent, or Firm—Bernstein & Associates

[57] CLAIM

The ornamental design for a portable laboratory analyzer, as shown and described.

DESCRIPTION

FIG. 1 is a front side elevation view of my portable laboratory analyzer;

FIG. 2 is a rear side elevation view thereof;

FIG. 3 is a top plan view thereof;

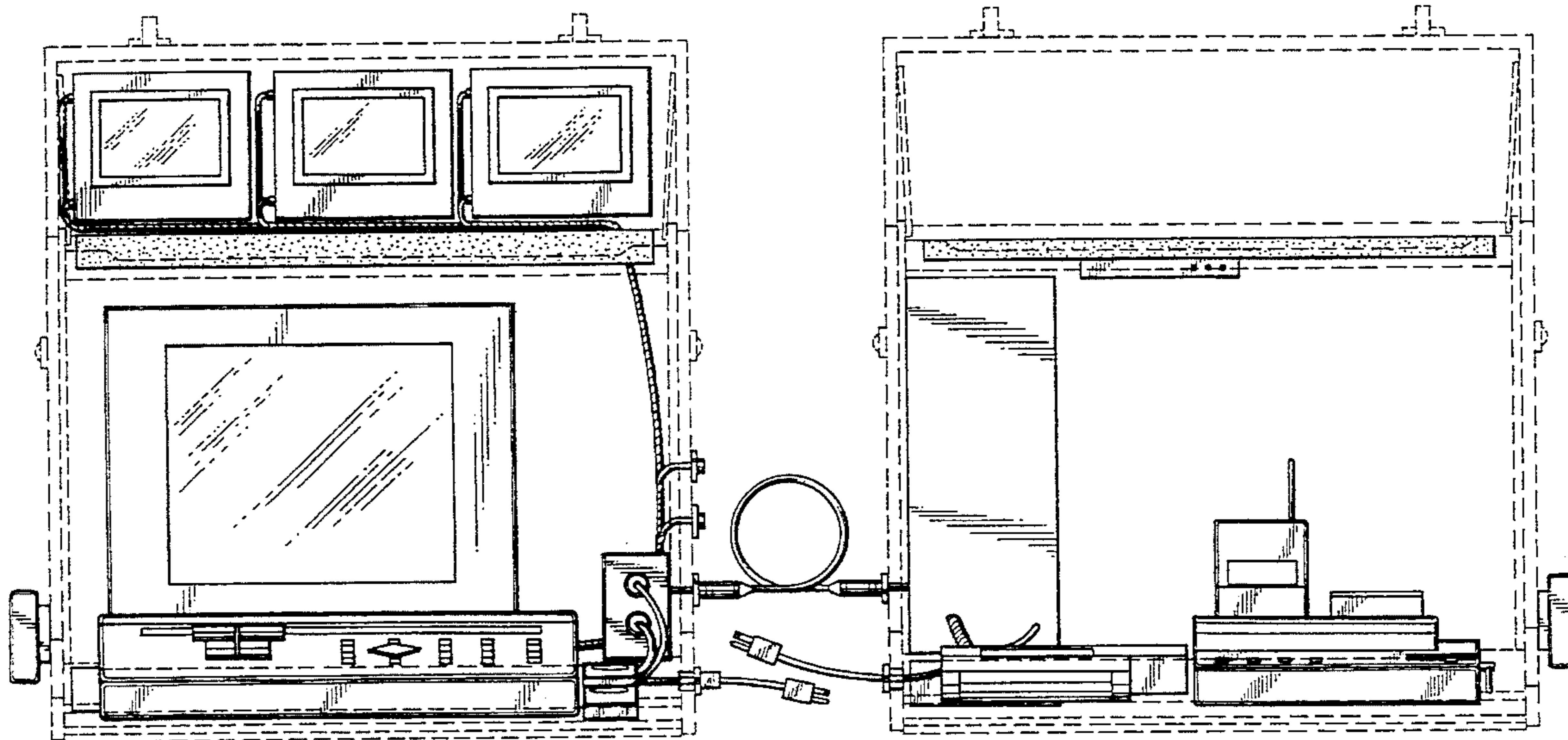
FIG. 4 is a left side elevation view thereof;

FIG. 5 is a right side elevation view thereof; and,

FIG. 6 is a bottom plan view thereof.

The broken line showing of the carrying case in the FIGS. 1 through 6 is for illustrative purposes only and forms no part of the claimed design.

1 Claim, 6 Drawing Sheets



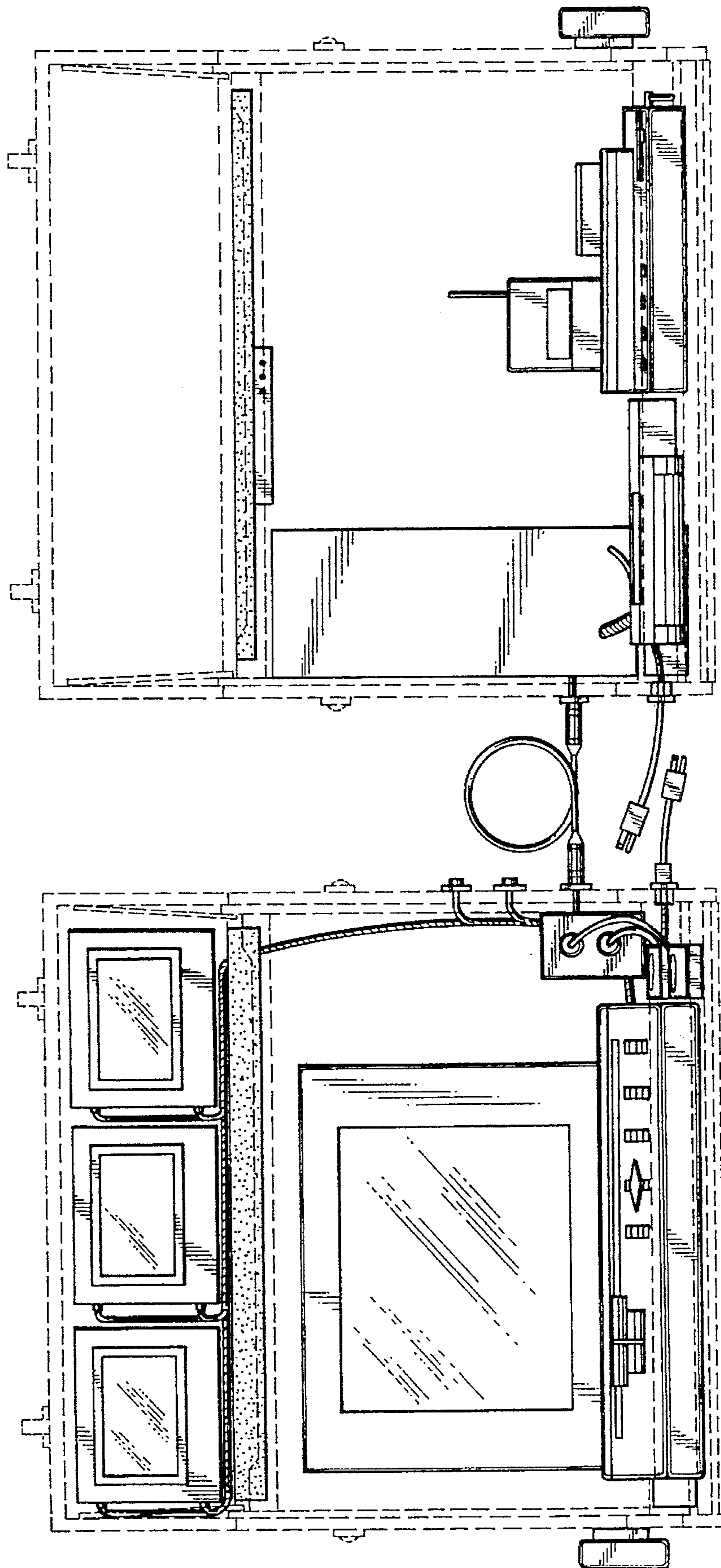


FIG 1

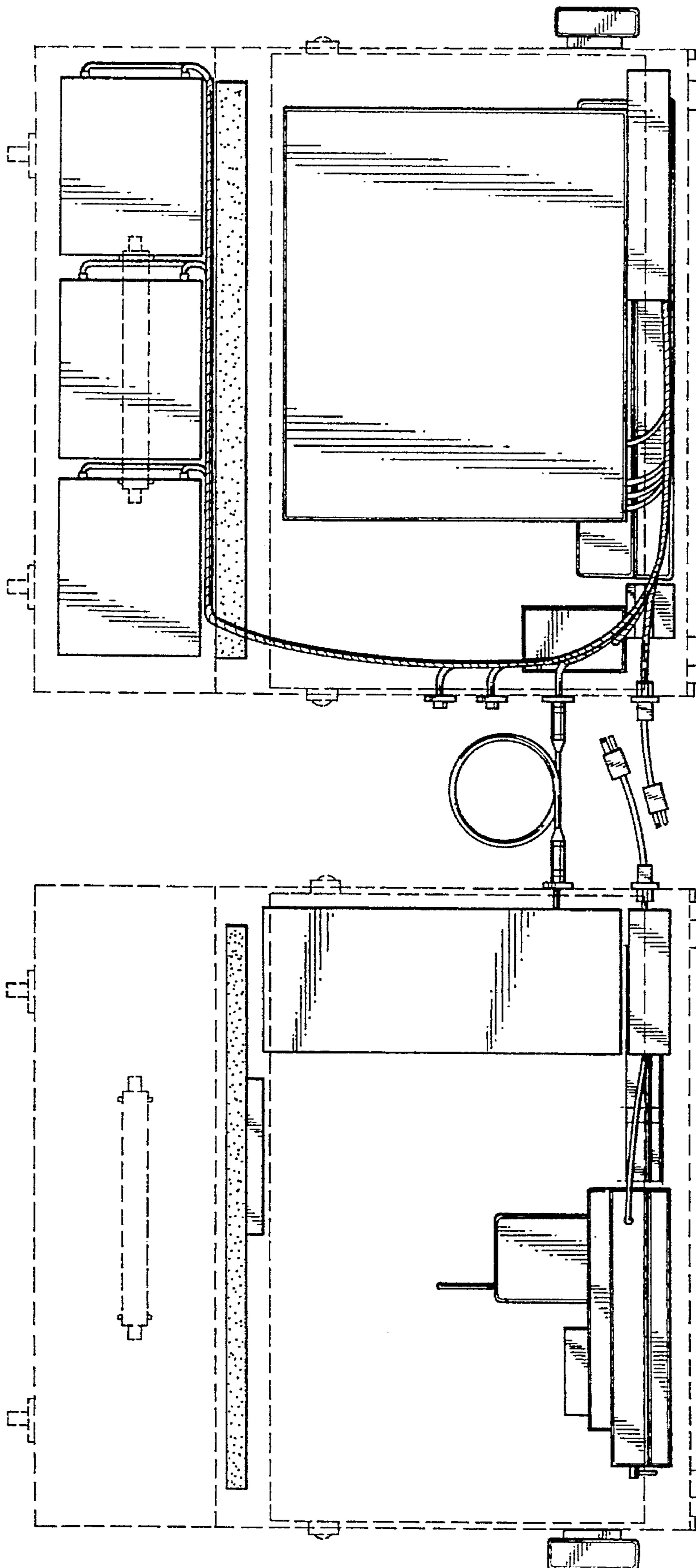


FIG 2

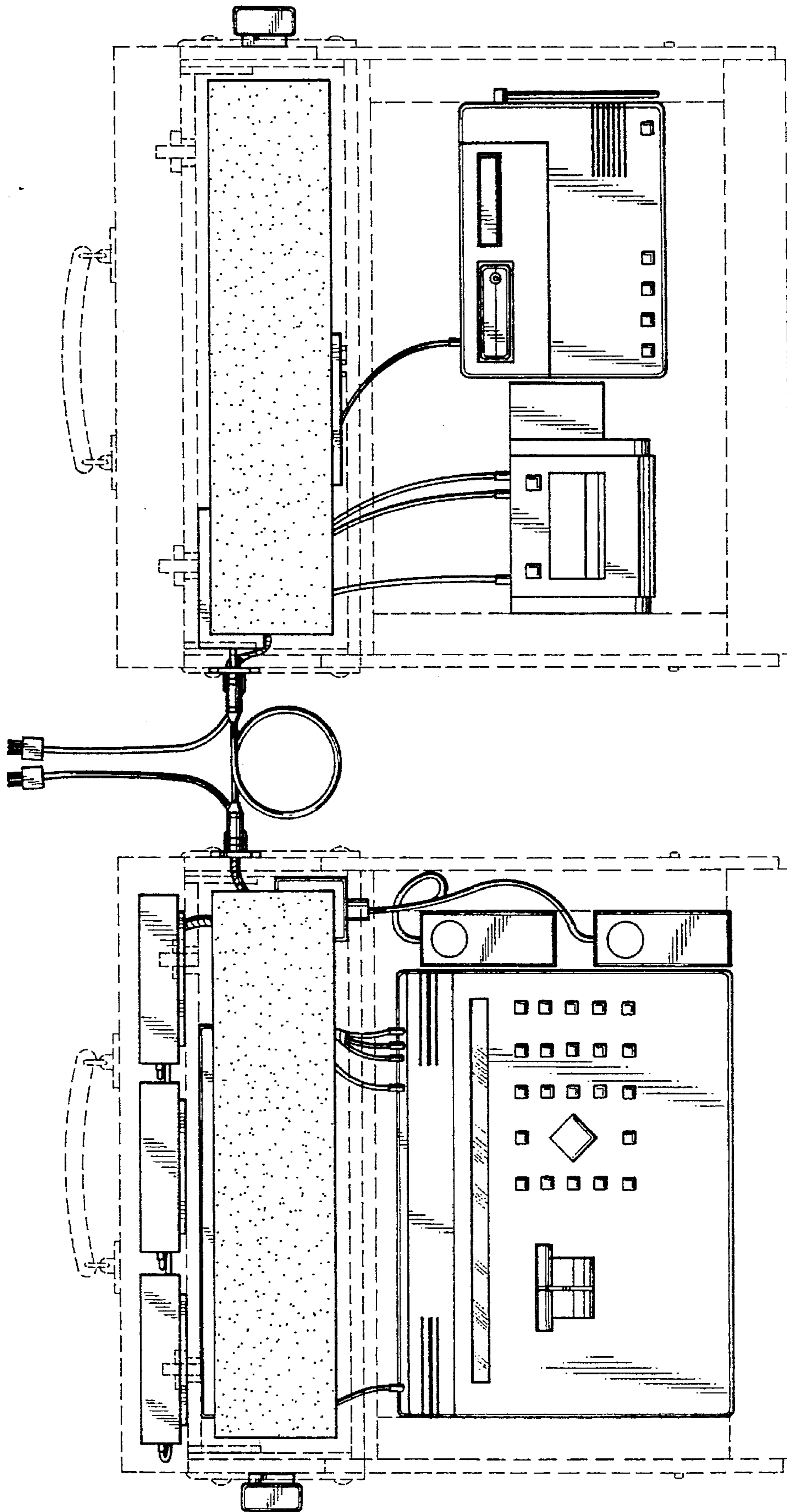


FIG 3

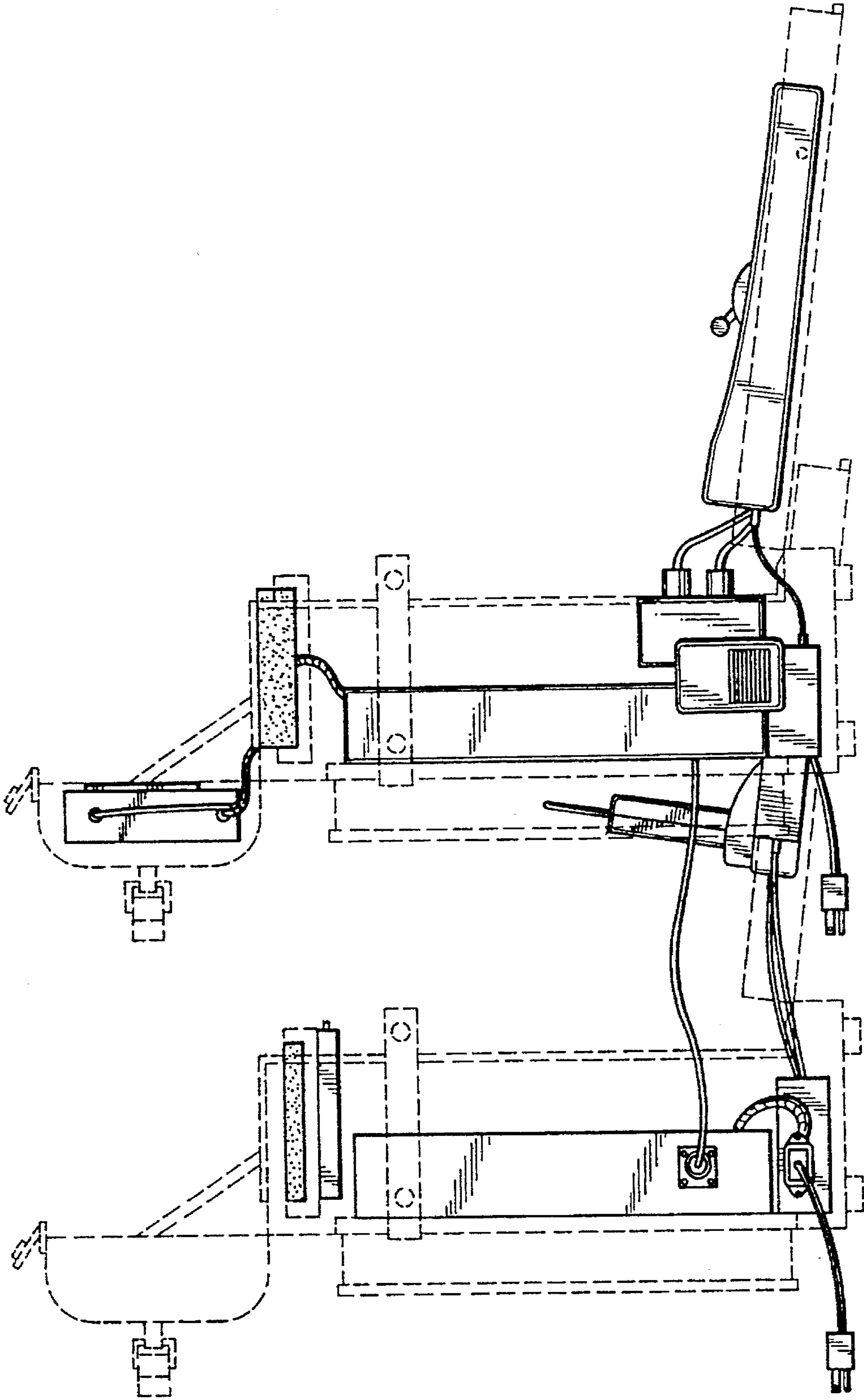


FIG 4

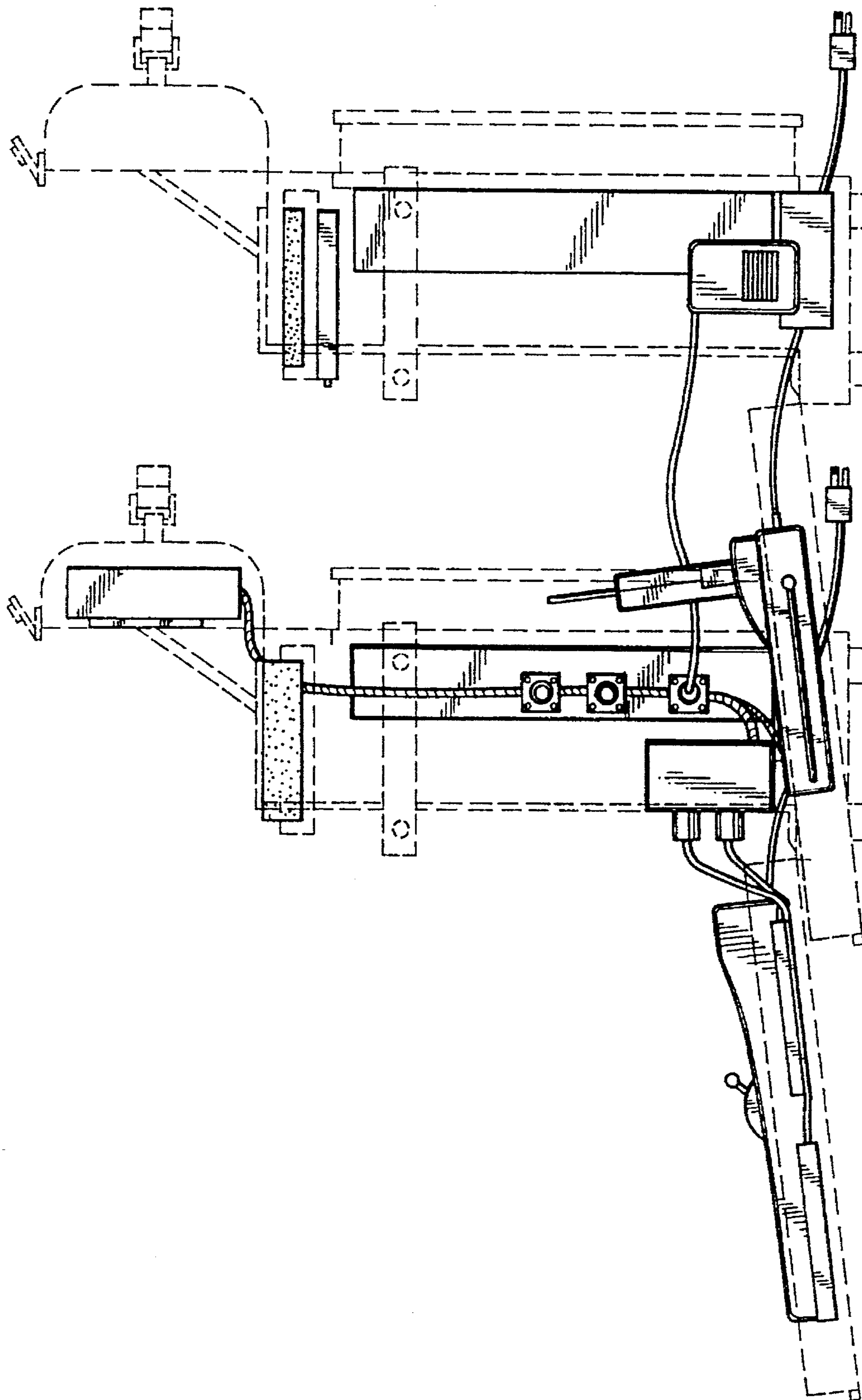


FIG 5

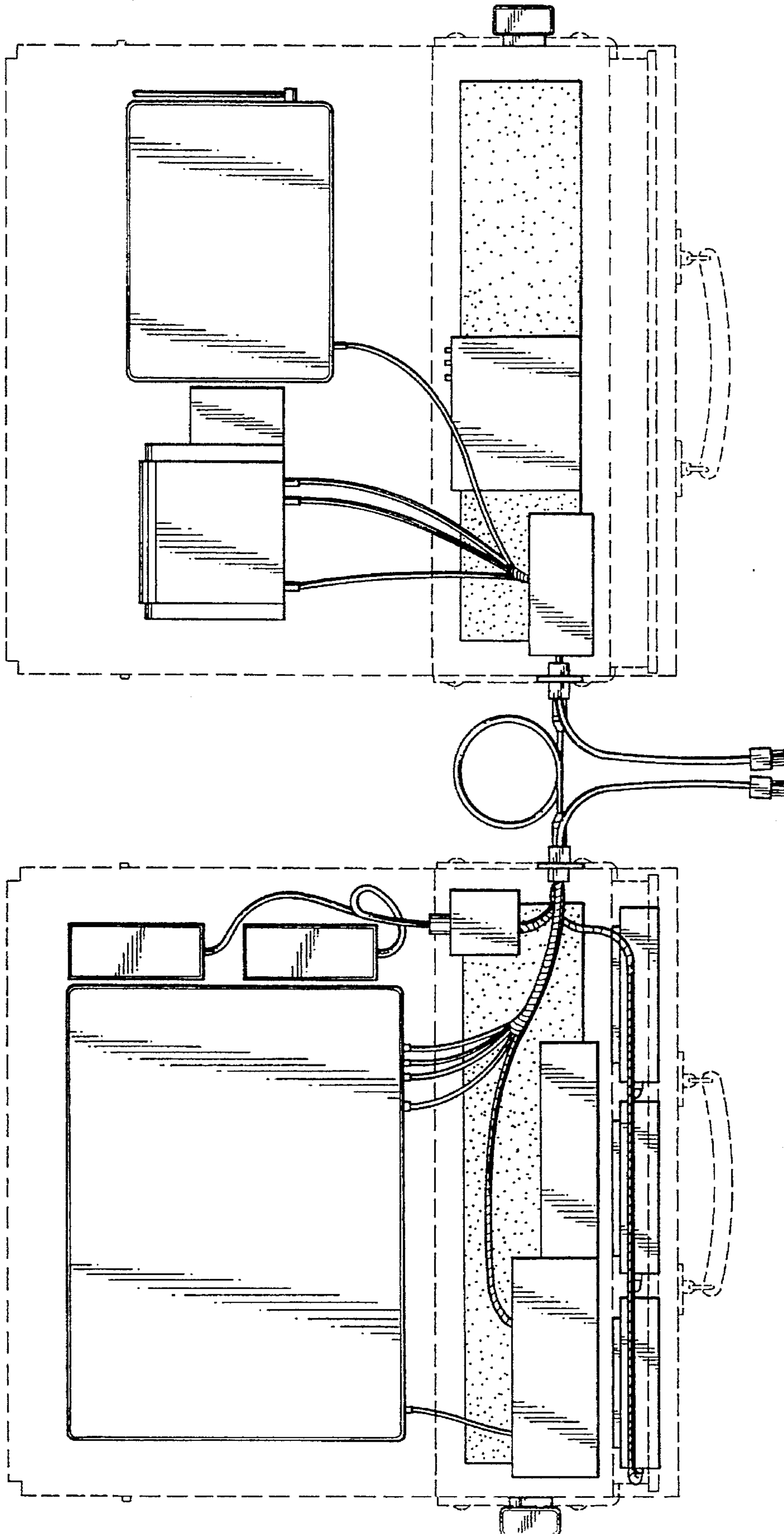


FIG 6