



US00D364465S

United States Patent [19] Stojanovic

[11] Patent Number: **Des. 364,465**

[45] Date of Patent: ***** Nov. 21, 1995**

[54] **DEVICE FOR ACCUMULATION,
AMPLIFICATION AND LOCAL DIRECTION
OF POSITIVE COSMIC ENERGY**

D. 287,718	1/1987	Moeller	D13/123
4,686,986	8/1987	Fenyo et al.	250/504 R
4,703,184	10/1987	Wolff	250/492.1
4,896,935	6/1986	Lumpp	250/504 R
5,073,715	12/1991	Chuiton et al.	250/336.1 X

[76] Inventor: **Branislav Stojanovic**, Dragoslava
Stojanovica 6, 21000 Novi Sad,
Yugoslavia

Primary Examiner—Joel Sincavage
Attorney, Agent, or Firm—Ladas & Parry

[*] Notice: The portion of the term of this patent
subsequent to Jan. 21, 2009, has been
disclaimed.

[**] Term: **14 Years**

[57] CLAIM

The ornamental design for device for accumulation, ampli-
fication and local direction of positive cosmic energy, as
shown.

[21] Appl. No.: **11,179**

DESCRIPTION

[22] Filed: **Jul. 28, 1993**

Related U.S. Application Data

[63] Continuation-in-part of Ser. No. 710,653, Jun. 5, 1991,
abandoned.

FIG. 1 is a front/right side/top perspective view of a device
for accumulation, amplification and local direction of posi-
tive cosmic energy showing my new design;

FIG. 2 is a front view thereof;

FIG. 3 is a top view thereof;

FIG. 4 is a rear view thereof;

FIG. 5 is a bottom view thereof;

FIG. 6 is a left side view thereof; and,

FIG. 7 is a right side exploded view thereof.

[30] Foreign Application Priority Data

Jun. 8, 1990 [YU] Yugoslavia 1128/90

[52] U.S. Cl. **D24/209**; 224/200

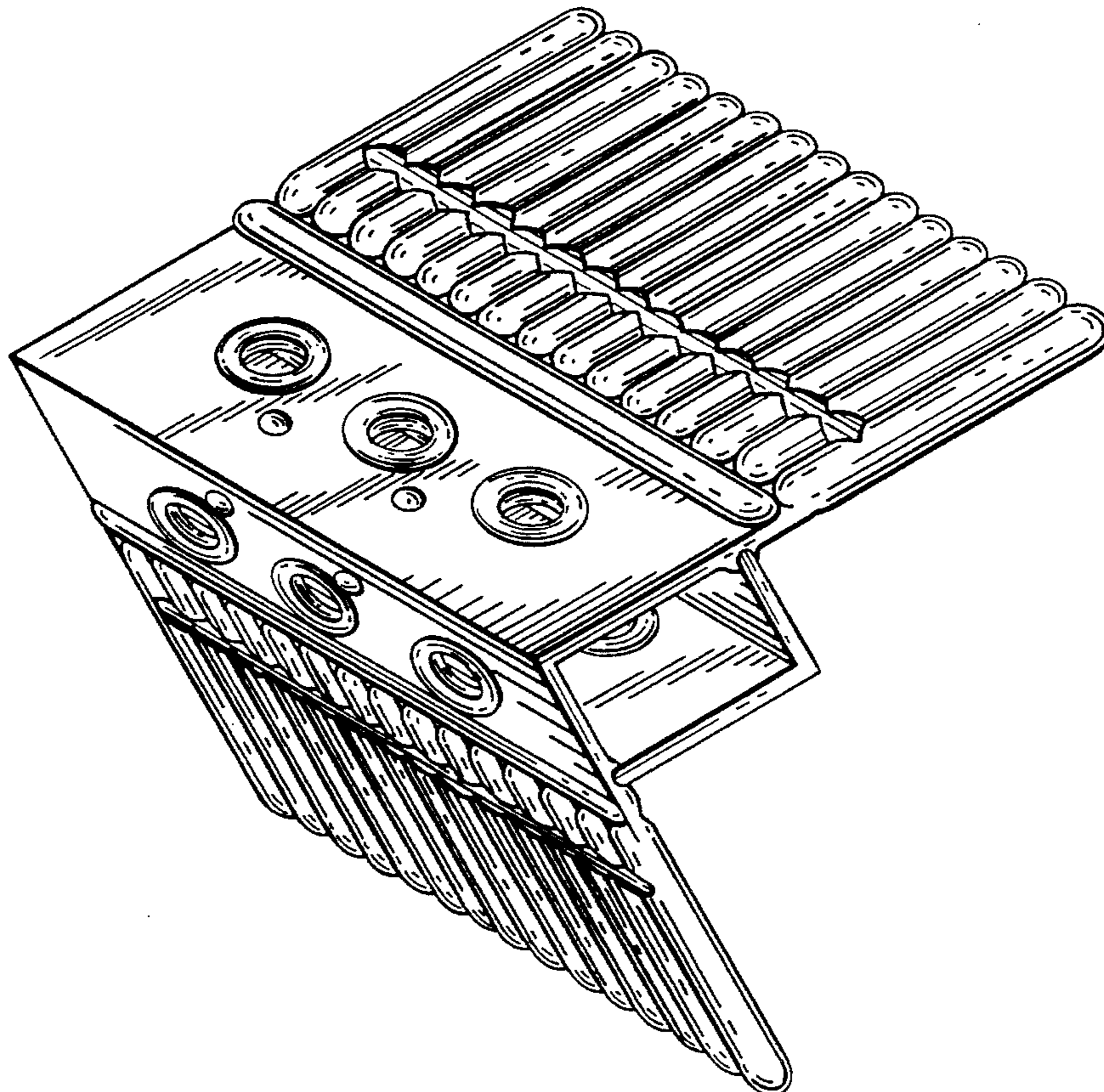
[58] Field of Search D13/101, 123;
D24/200, 209; 250/336.1, 362; 327/552

[56] References Cited

U.S. PATENT DOCUMENTS

D. 79,690 10/1929 Bailey D13/101 X

1 Claim, 4 Drawing Sheets



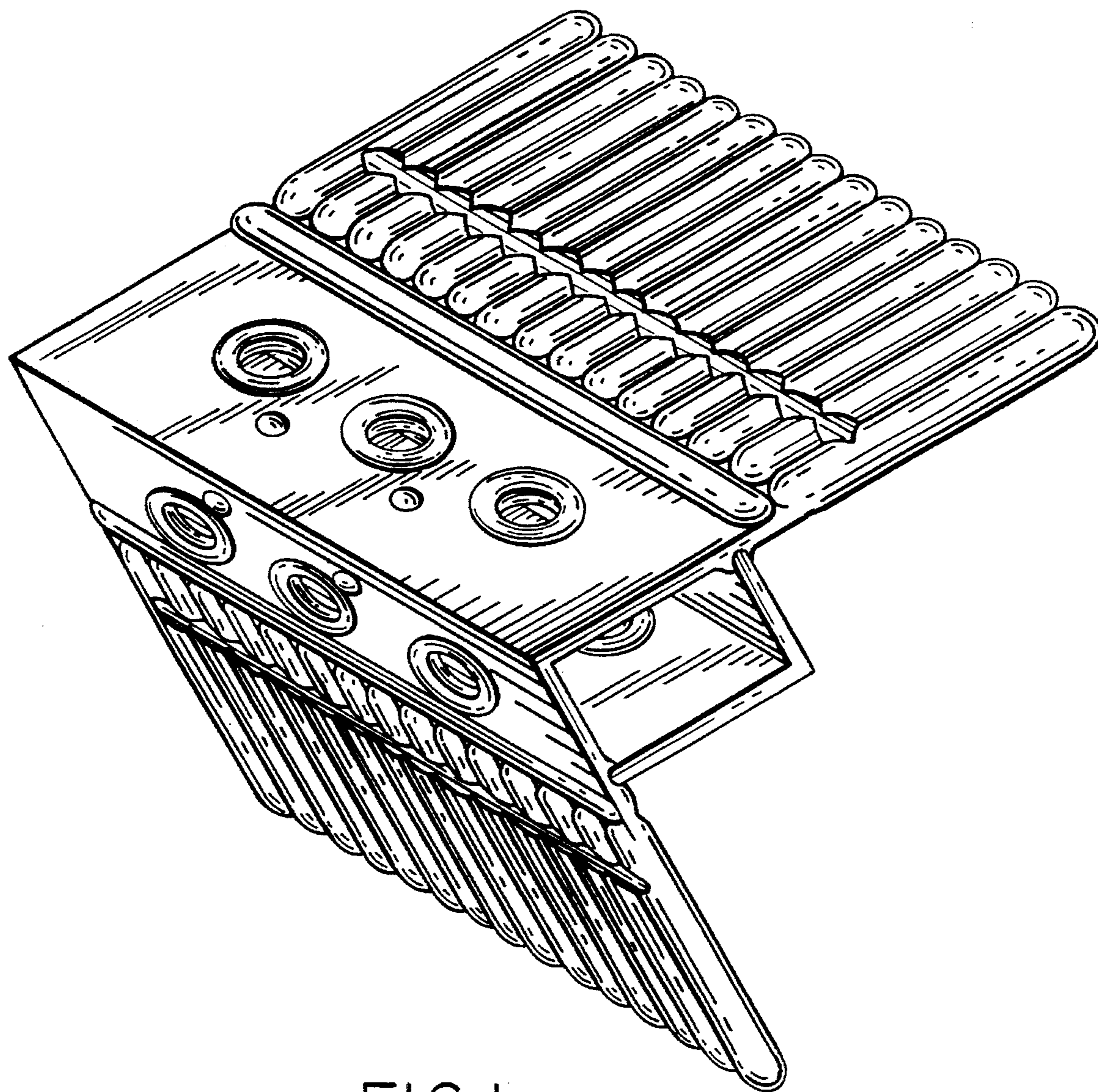


FIG. 1

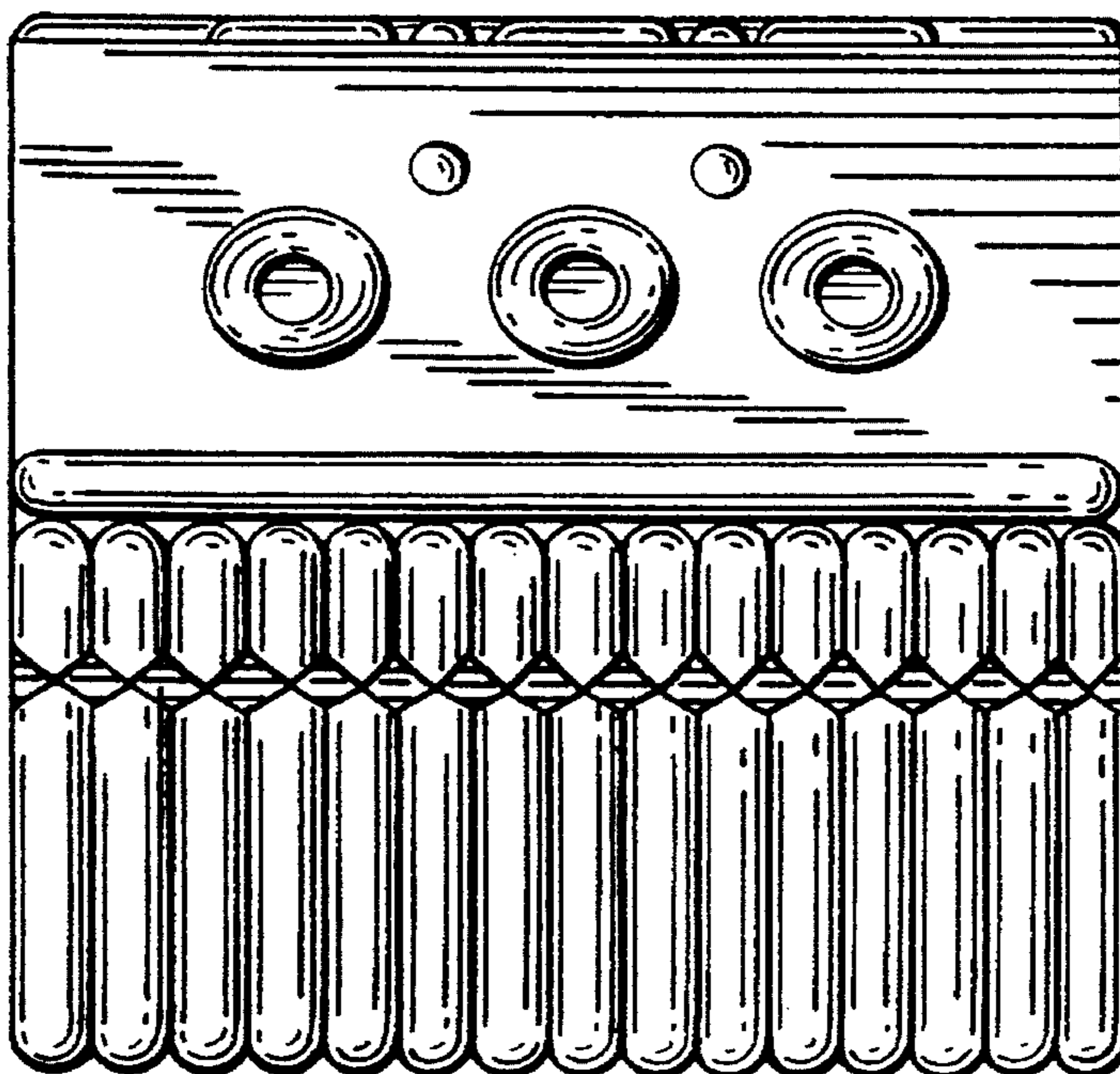


FIG. 2

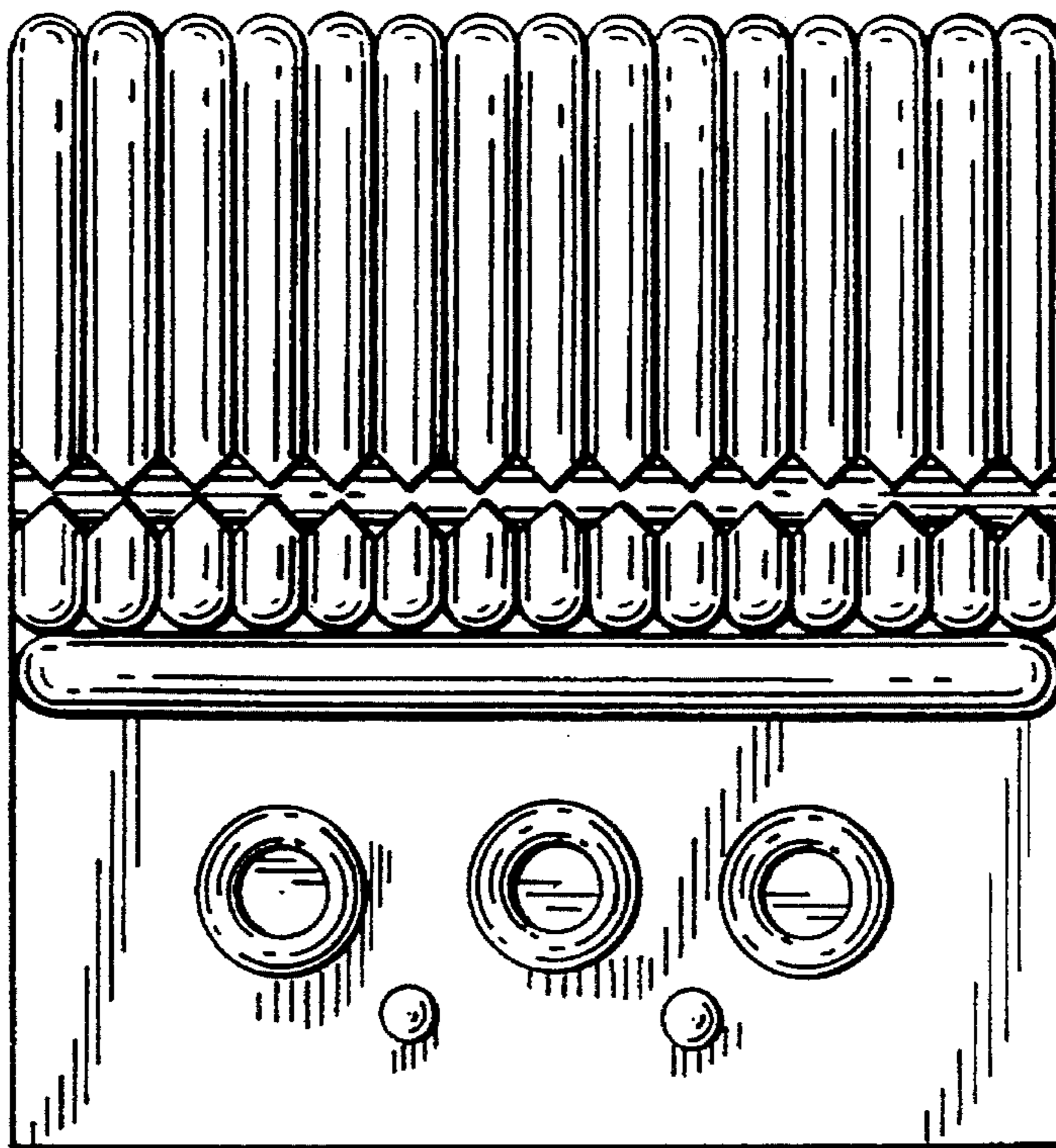


FIG. 3

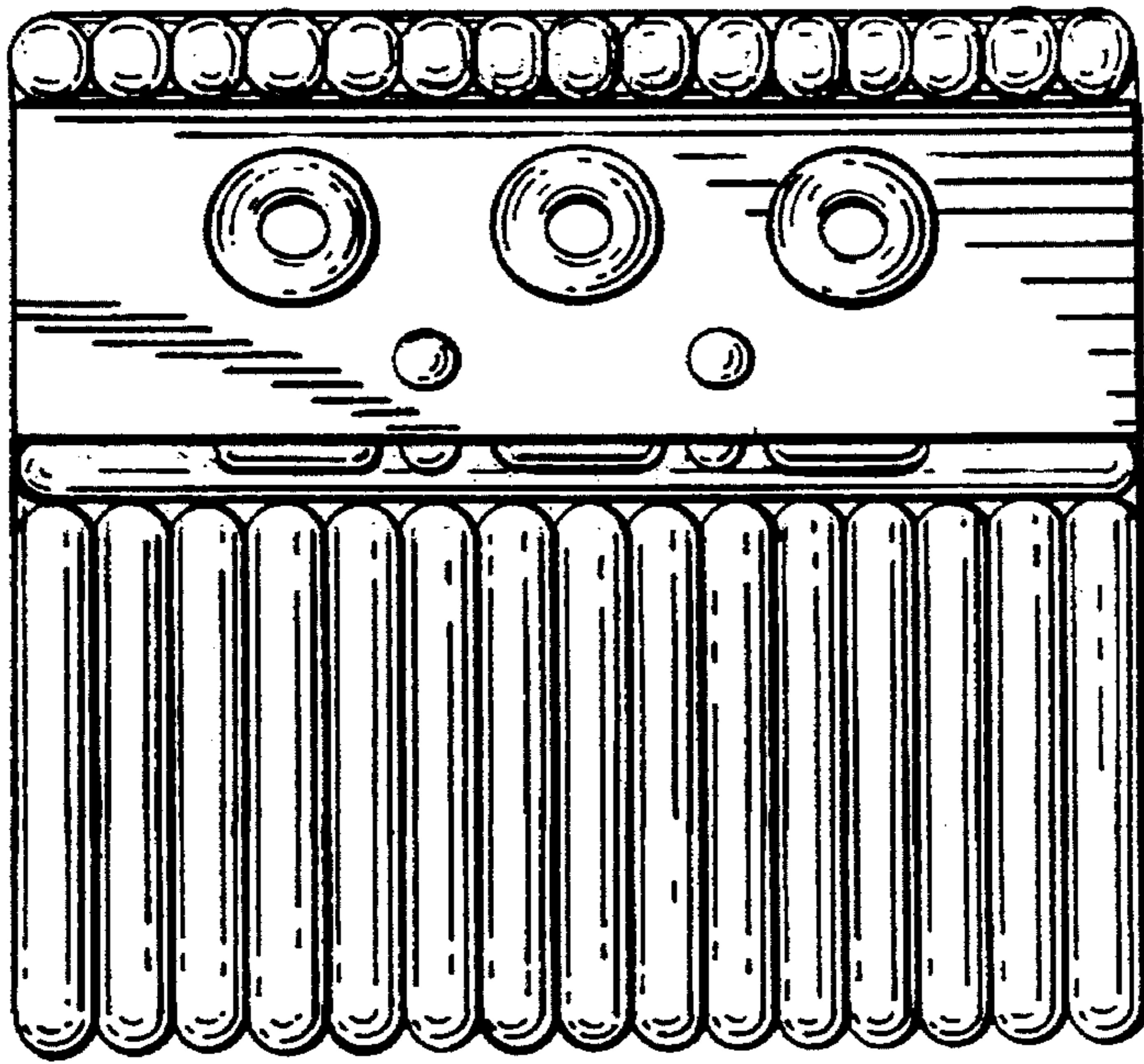


FIG. 4

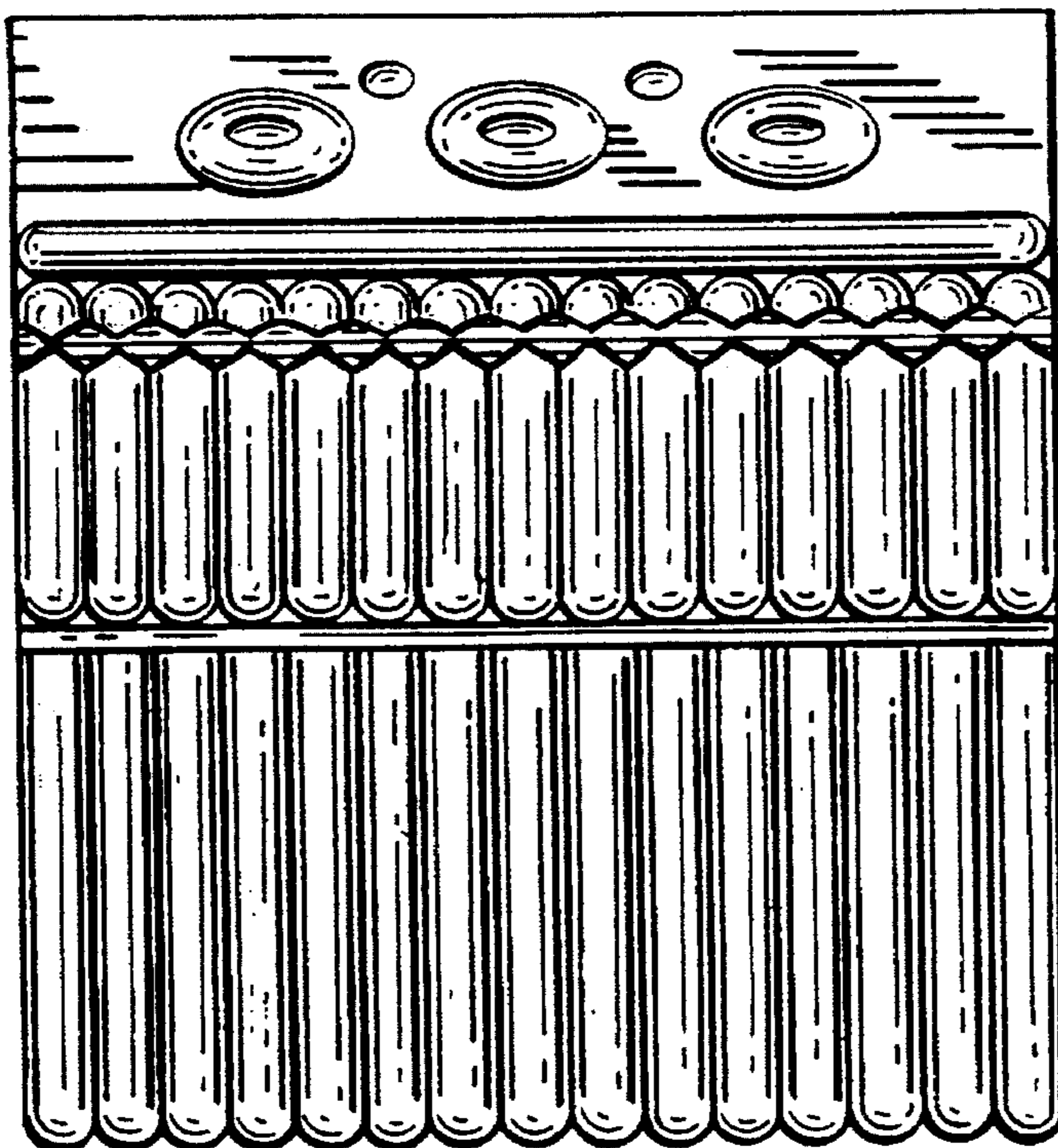


FIG. 5

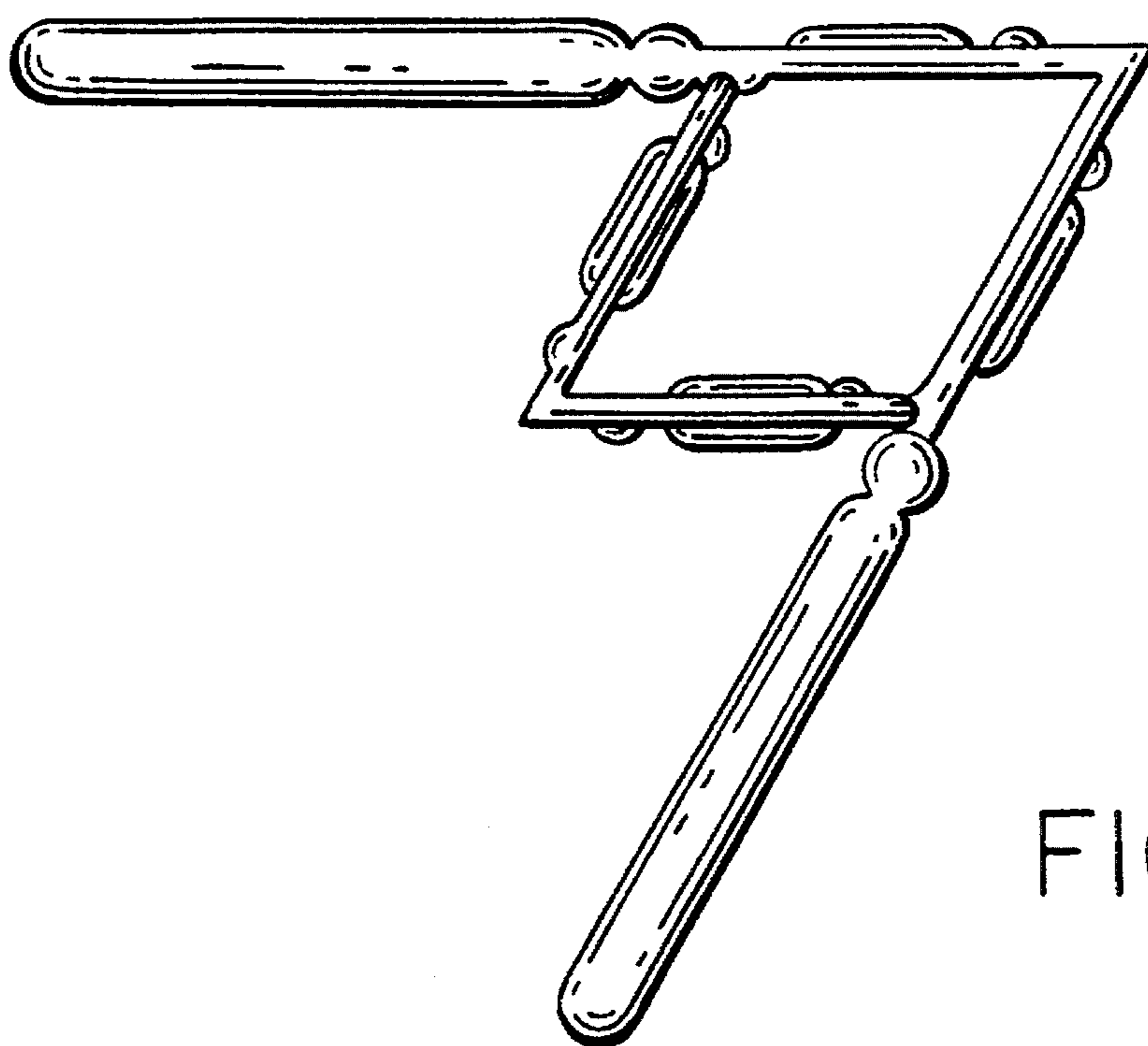


FIG. 6

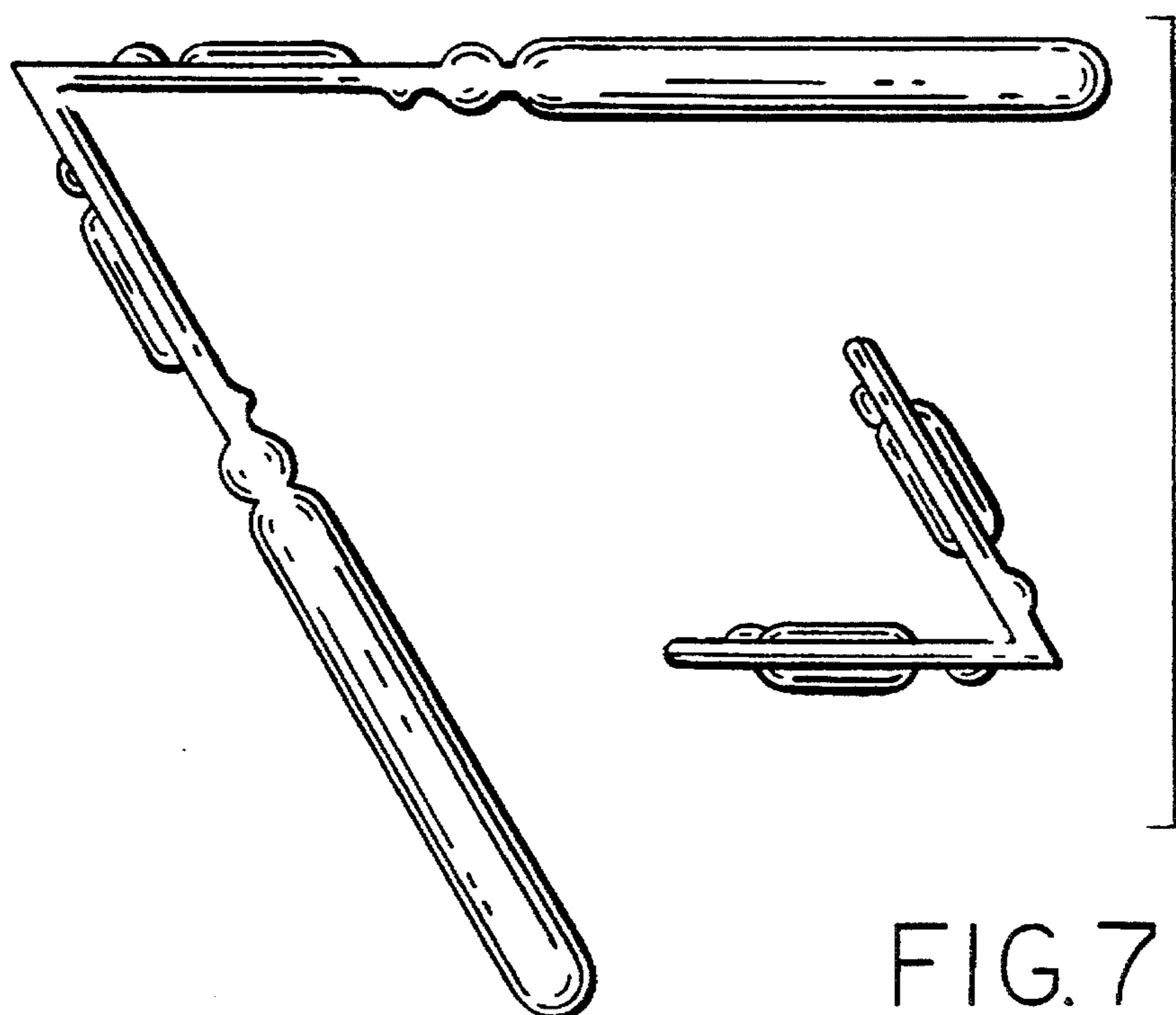


FIG. 7