



US00D364463S

# United States Patent [19]

[11] Patent Number: Des. 364,463

Pitzen et al.

[45] Date of Patent: \*\*Nov. 21, 1995

[54] ORTHOPEDIC SURGICAL INSTRUMENT

5,269,750 12/1993 Gralke et al. .... 604/902 X

[75] Inventors: **James F. Pitzen**, Maplewood; **Jeffrey D. Smith**, Marine on St. Croix, both of Minn.; **Charles E. Alexson**, River Falls; **Lawrence Fenske**, Madison, both of Wis.

### FOREIGN PATENT DOCUMENTS

3317398 10/1985 Germany .

[73] Assignee: **Minnesota Mining and Manufacturing Company**, St. Paul, Minn.

### OTHER PUBLICATIONS

[\*\*] Term: 14 Years

Hall® Versipower™ Dual Power Orthopaedic Instruments, by Zimmer, 1989, ( 6 pages).  
Product brochure entitled: "System 2000 Battery Powered Instruments", by Stryker®, 1993 (18 pages).  
Product brochure entitled: "System 2000 Battery Powered Instruments", by Stryker® ©1991 (11 pages).  
Instruction Manual entitled: "The Hall® ORTHAIR™ System" by Zimmer USA, (12 pages).  
Product brochure entitled: "Maxion™ Cordless Powered Instrument System, Assembly, Operation and Maintenance", by 3M HealthCare (6 pages).  
Product brochure entitled: "System II OrthoPower 90 Battery Powered Surgical Instruments", by Stryker®, 1986, (16 pages).  
Product brochure entitled: "Sagittal Saw Attachment", by 3M, (2 pages). ©1984.

[21] Appl. No.: 24,241

[22] Filed: Jun. 10, 1994

[52] U.S. Cl. .... D24/146; D8/68

[58] Field of Search ..... D24/145, 146, D24/133; D8/83, 68; 606/178, 177, 176, 82, 84, 85, 104

### [56] References Cited

#### U.S. PATENT DOCUMENTS

D. 262,572	1/1982	Rogers .....	D24/146
D. 262,823	1/1982	Rogers .....	D24/146
D. 296,655	7/1988	Yonezawa et al. ....	D8/68
D. 329,580	9/1992	Sasaki et al. ....	D8/68
2,261,230	11/1941	Cox et al. .	
3,120,845	2/1964	Horner .	
3,494,799	2/1970	Pedone, Jr. .	
3,734,207	5/1973	Fishbein .	
3,999,110	12/1976	Ramstrom et al. .	
4,050,528	9/1977	Foltz et al. .	
4,091,880	5/1978	Troutner et al. .	
4,441,563	4/1984	Walton, II .	
4,447,749	5/1984	Reeb, Jr. et al. .	
4,728,876	3/1988	Mongeon et al. .	
4,736,742	4/1988	Alexson et al. .	
4,751,452	6/1988	Kilmer et al. .	
4,819,334	4/1989	Mongeon .....	606/178 X
4,834,092	5/1989	Alexson et al. .	
4,835,410	5/1989	Bhagwat et al. .	
4,873,461	10/1989	Brennan et al. .	
5,089,738	2/1992	Bergqvist et al. .	
5,136,469	8/1992	Carusillo et al. .	
5,207,697	5/1993	Carusillo et al. .	
5,263,972	11/1993	Evans et al. .	

(List continued on next page.)

*Primary Examiner*—Lou Zarfaz  
*Assistant Examiner*—L. Simmons  
*Attorney, Agent, or Firm*—Gary L. Griswold; Walter N. Kim; Jeffrey J. Hohenshell

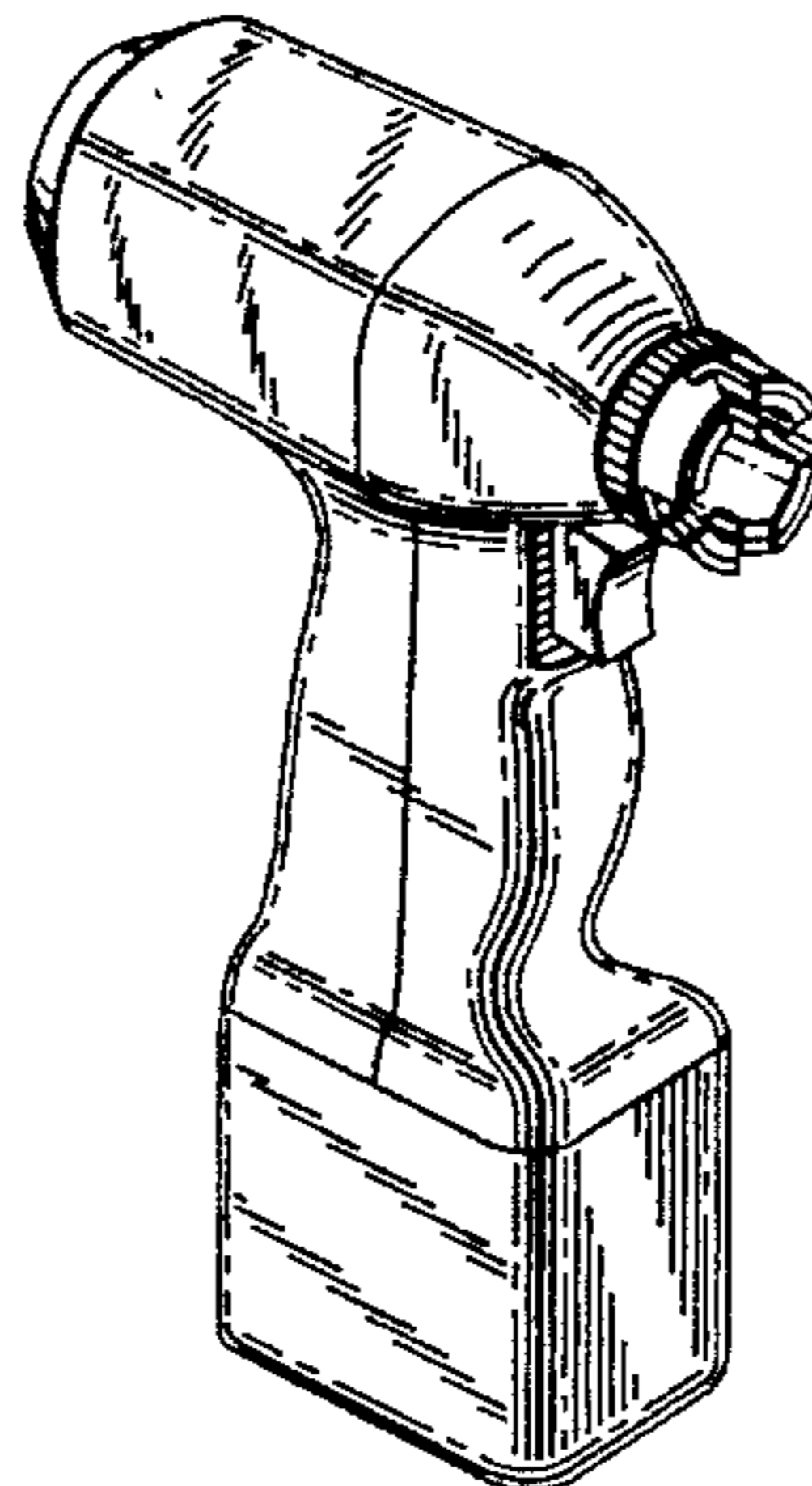
### [57] CLAIM

The ornamental design for an orthopedic surgical instrument, as shown and described.

### DESCRIPTION

FIG. 1 is a perspective view of an orthopedic surgical instrument showing our new design;  
FIG. 2 is a right side view thereof;  
FIG. 3 is a left side view thereof;  
FIG. 4 is a bottom view thereof;  
FIG. 5 is a top view thereof;  
FIG. 6 is a front end view thereof; and,  
FIG. 7 is a rear end view thereof.

1 Claim, 3 Drawing Sheets



**OTHER PUBLICATIONS**

Product brochure entitled: "Cordless Sagittal Saw", by Dyonics, 1984, (2 pages).

Product brochure entitled: "The Only Cordless Instrument Powerful Enough to be Stryker", by Stryker®, (4 pages). ©93.

Product brochure entitled: "Cordless 450 Orthopaedic Drill", by Dyonics, 1984, (2 pages).

Product brochure entitled: "Mini-Driver™ Air Instrument System", by 3M, 1975, (4 pages).

Product brochure entitled: "Acculan", by Aesculap®, (4 pages).

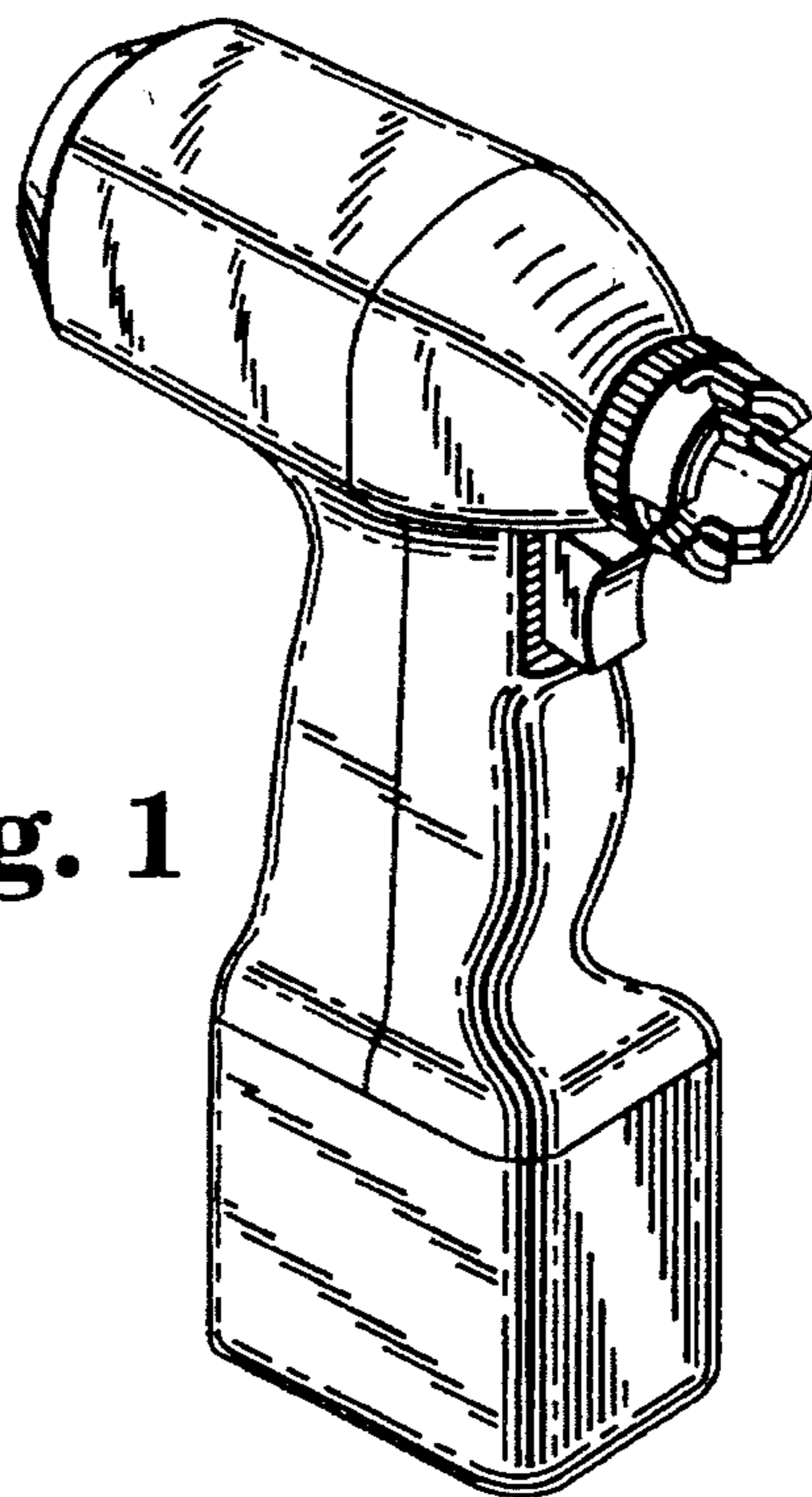
Product brochure entitled: "Powered Instrumentation for Large Bone Surgery", by Stryker® (16 pages).

Product brochure entitled: "Maxion™ Cordless Powered Instrument System", by 3M HealthCare, (31 pages).

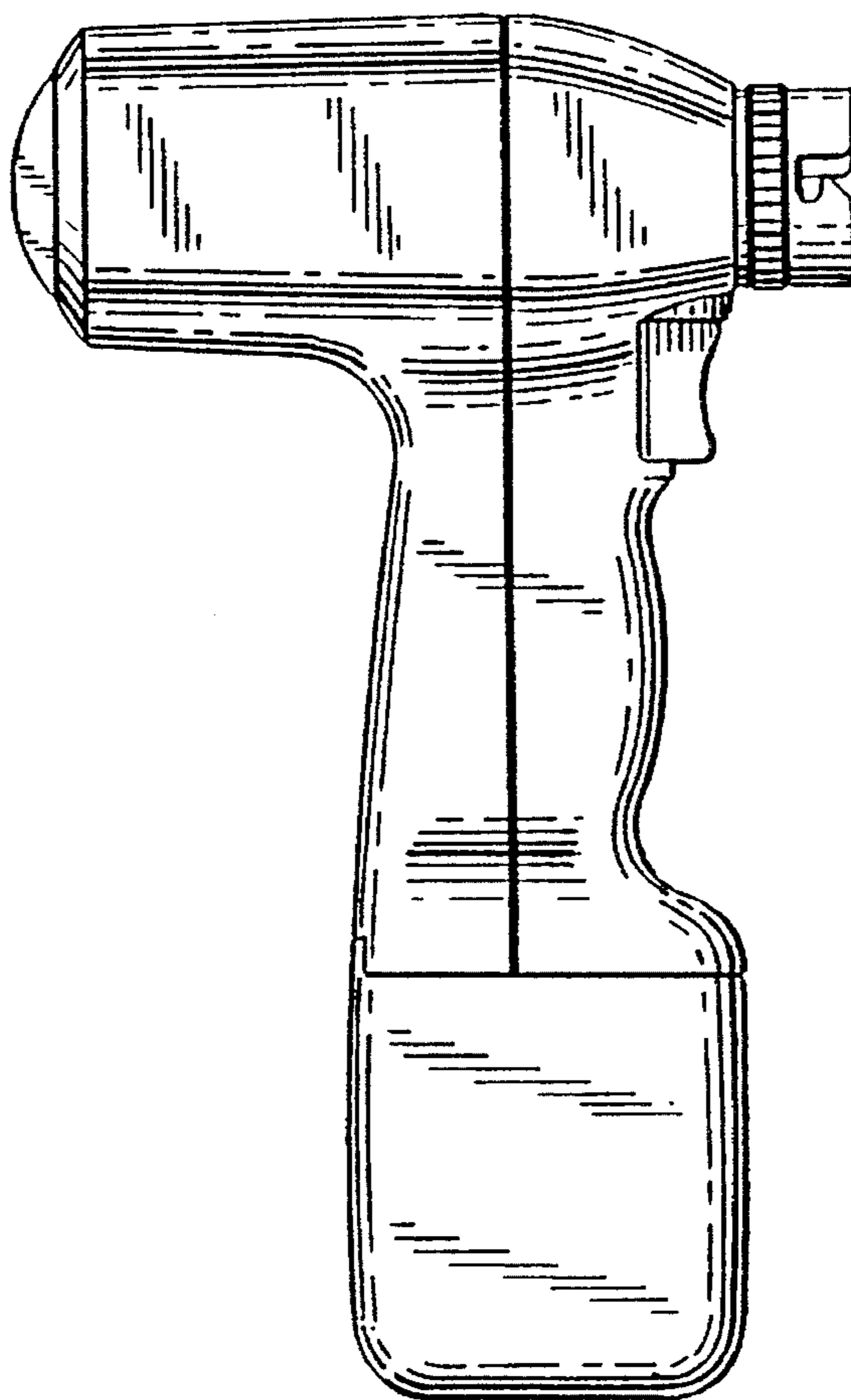
Product brochure entitled: "The K-100 Mini-Driver System, Cleaning and Lubrication", by 3M Surgical Products Division (5 pages).

Product brochure entitled: "Cordless 800 Wire Driver", by Dyonics, 1984 (2 pages).

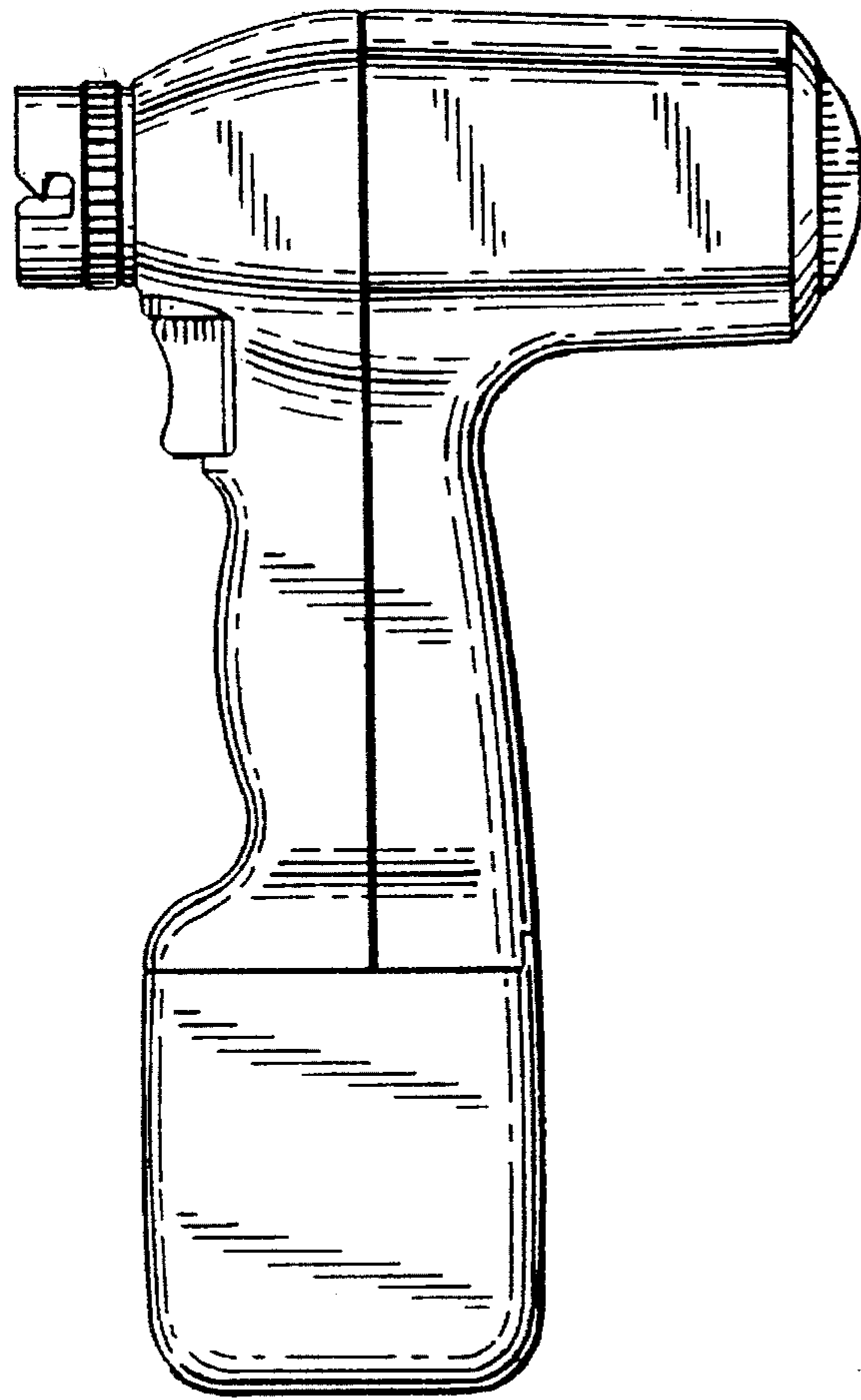
Product brochure entitled: "Cordless 200 Reamer", by Dyonics, 1984, (2 pages).



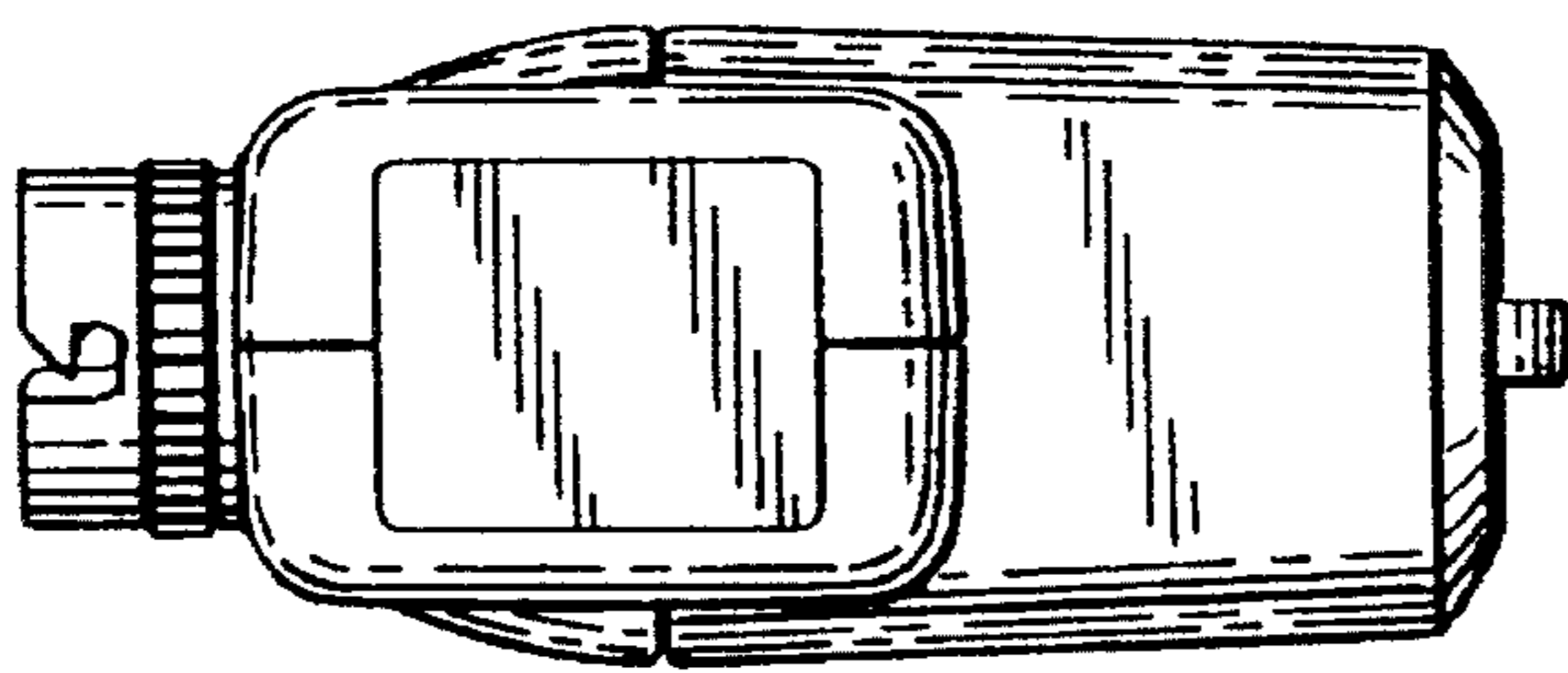
**Fig. 1**



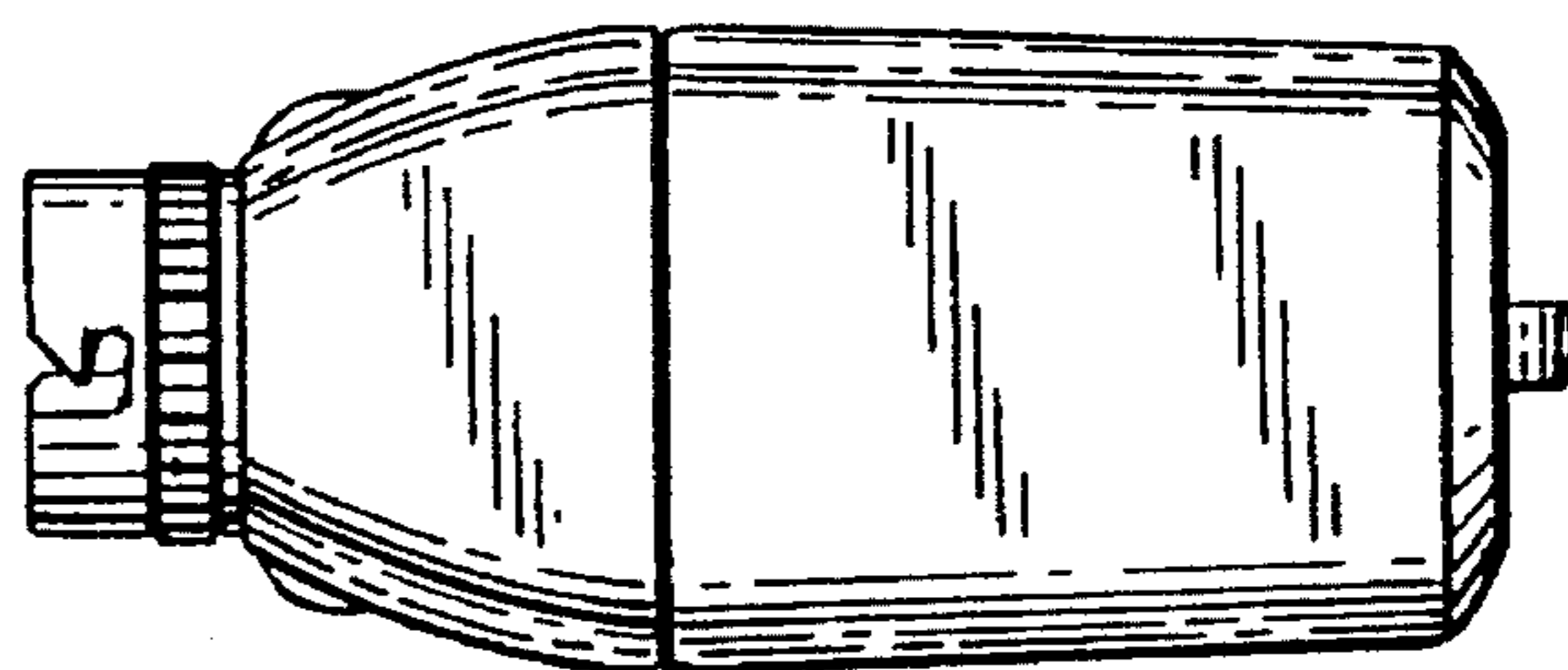
**Fig. 2**



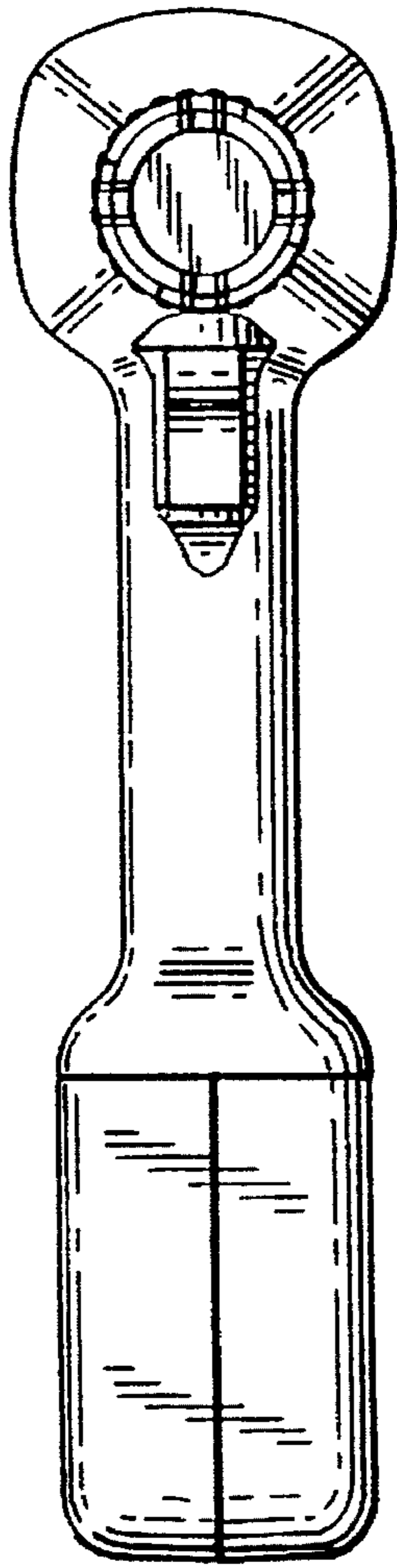
**Fig. 3**



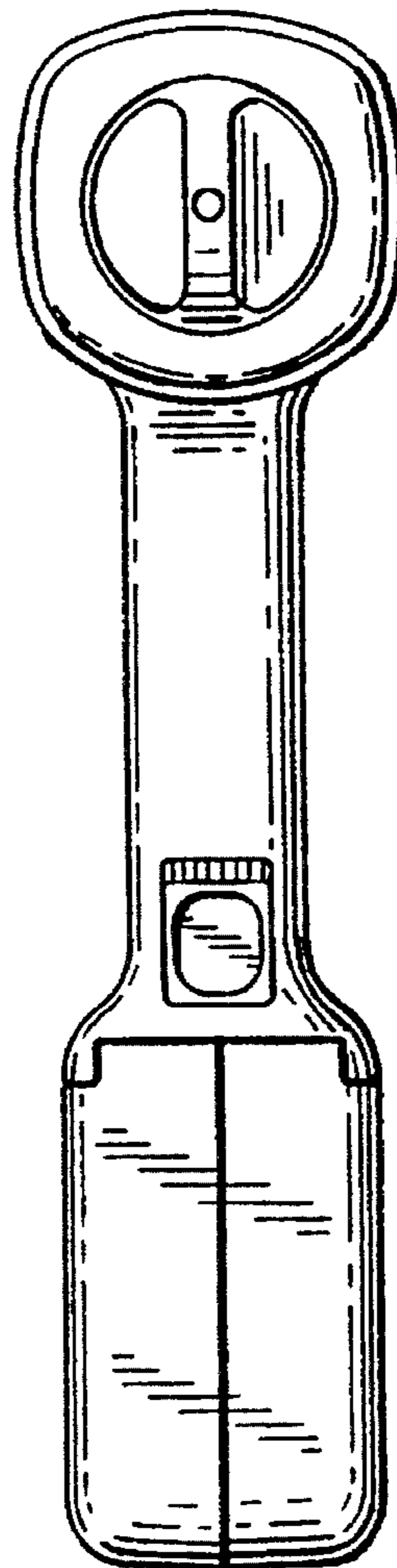
**Fig. 4**



**Fig. 5**



**Fig. 6**



**Fig. 7**